

## MODEL 3803 MECHANICALLY ACTUATED FOUR-WAY BLOCK MOUNT VALVE

### DESCRIPTION

The 3803 is a mechanically actuated, sub-plate mounted four way directional control valve. It is a poppet type valve consisting of two normally closed three-way valves with a common supply port. Movement of the desired spool stem into the valve opens the chosen three-way valve and directs the air supply to the chosen directional output.

Weight: 0.62 lb. (0.28 kg)

Materials: Die cast silicon bronze and stainless steel hardware.

Maximum Supply Pressure: 250 p.s.i. (17.2 bar)

Operating Temperature Range: -40°C to +90°C

Spool Stem Travel: 0.175" (3.92 mm)

Recommended Sub-plate Port: 1/8" N.P.T.

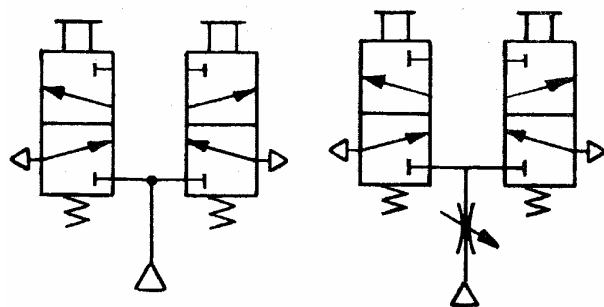
### APPLICATIONS:

- Used mainly in Kobelt dual function control heads 2544 and 2545 as a directional control valve.
- Used wherever a mechanically actuated four-way directional control valve is required.

### ORDERING INFORMATION:

3803                      With flow control  
3803-A                  Without flow control

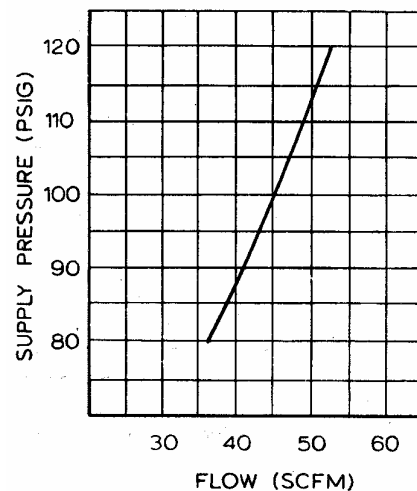
### SCHEMATIC SYMBOL



3803-A

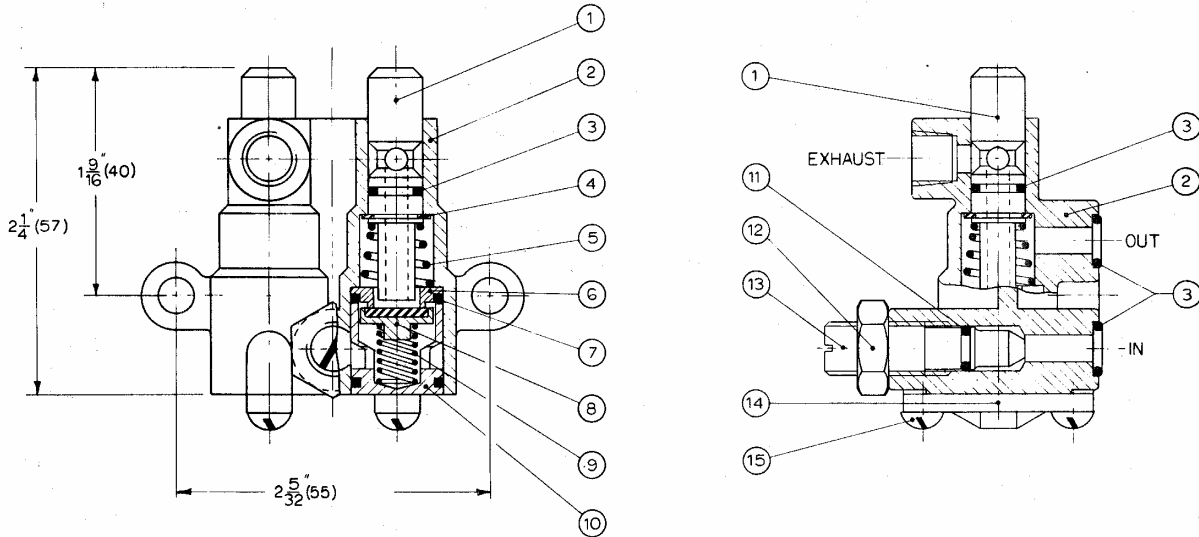
3803

SUPPLY PRESSURE VS. FLOW



# DIMENSIONS AND PARTS LIST

ALL DIMENSIONS IN INCHES (MM)



Item	Quantity	Part Number	Description
1	2	3803-0001	Spool
2	1	3803-0002	Body
3	5	1101-0010	"O" Ring
4	2	1029-2037	Snap Ring
5	2	1201-0013	Spring
6	2	3803-0003	Seat
7	4	1101-0014	"O" Ring
8	2	3803-0004	Poppet
9	2	1201-0004	Spring
10	2	3803-0005	Retainer
11	1	1101-0008	"O" Ring
12	1	1022-0262	Jam Nut
13	1	3803-0006	Needle
14	2	3803-0007	End Cap
15	4	1010-0806	Round Hd Phillips Screw

A Repair Kit 3803-RK is available consisting of all seals for the part.

**MODEL 3803 FOUR WAY BLOCK MOUNT VALVE (1/8" NPT)**

