

INSTALLER: THESE INSTRUCTIONS CONTAIN IMPORTANT SAFETY INFORMATION AND MUST BE FORWARDED TO THE BOAT OWNER.

## DC Control

PART NUMBER: 301916

MODEL DC Dash Control with Tension Lock

# Installation Instructions

This manual must be accessible to the owner/user of this product.

**PLEASE READ THESE INSTRUCTIONS THROUGH CAREFULLY AND ENTIRELY  
BEFORE BEGINNING INSTALLATION!**

All specifications and features are subject to change without notice.

USA Sales/Support  
Teleflex Marine  
640 North Lewis Road  
Limerick, Pennsylvania  
19468  
610-495-7011  
[www.teleflexmarine.com](http://www.teleflexmarine.com)

Overseas Sales/Support  
Teleflex Marine  
International Sales and  
Marketing  
PO Box 5990  
Verwood, Dorset  
BH31 9AA  
United Kingdom  
[www.teleflexmarine.com](http://www.teleflexmarine.com)

## Introduction

The model DC mounts on a control panel (Figure 1) or on the side of a console (Figure 2) when installed with mount part number 048210.

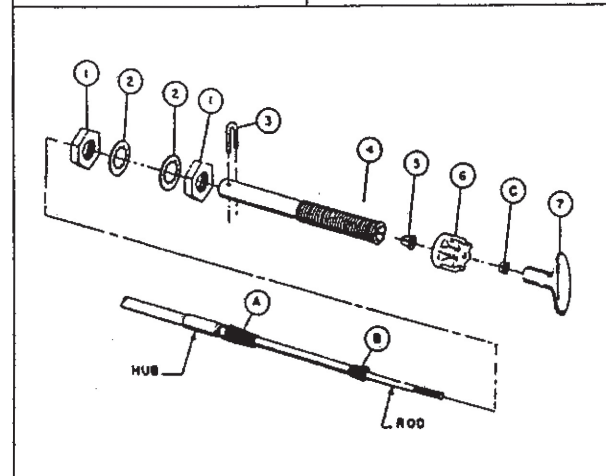
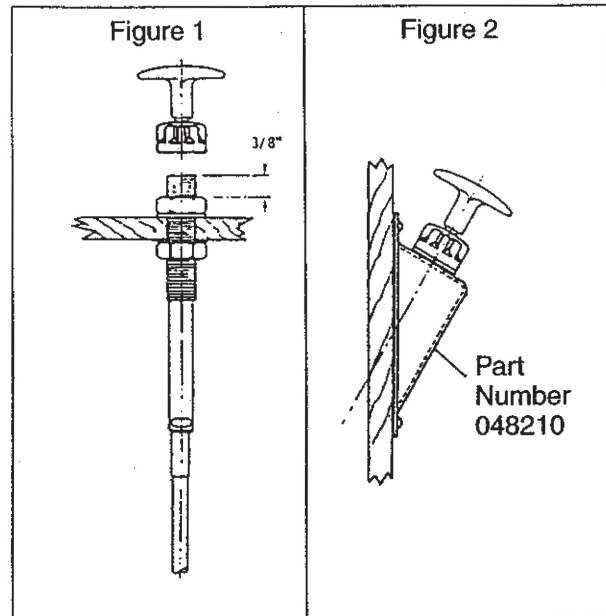
Model DC can be used for remote control installations requiring a push-pull movement of up to 3". Typical applications include the remote control of throttle, choke, shut-off, governor, valve, bilge drain, etc.

The tension lock feature allows the control to be locked in any setting desired by turning the knurled cap.

## Installation

Installation of the Model DC Control requires a control head, 301916, and a 33-C style push-pull control cable in the required length. Determine the length of the control cable by measuring the path from control station to the operating lever to which the cable will connect. The cable path should run from the control station to the operating lever with as few bends in the cable path as possible. Where bends are necessary make them as gradual as possible (preferably no less than a 10-inch radius).

1. Determine location for mounting. Ten inches of clearance behind panel is necessary to prevent any sharp bend in control cable. Drill a 9/16" hole in panel.
2. Thread on nut (1) and lockwasher (2) to dimension shown in Figure 1 and install to be through hole in panel.
3. Install second lockwasher and nut from under panel and tighten securely.
4. Remove locknut (C) from the end of 33-C cable. Remove seals (A & B) from cable.
5. Insert cable into tube assembly.
6. Line up slot in cable hub with holes in tube assembly and insert cotter pin (3). Bend cotter pin to lock.



Item Number	Description	Number Required	Part Number
1	Nut, Hex. Jam 9/16 - 18	2	
2	Washer, Int. Tooth Special	2	
3	Clip	1	
4	Body	1	
5	Collar, Locking	1	
6	Cap, Locking	1	301914
7	Handle	1	301555

7. Place tapered nylon collet (5), small end first, over cable end.
8. Insert knurled cap (6) over cable end and thread cap onto tube assembly.
9. Replace cable locknut.
10. Thread knob (7) onto cable end until snug. Tighten locknut (C) against knob.