



MODEL 2009 3" STROKE TWO HANDLE PUSH PULL CONTROL HEAD

This control is available with three different handles: standard, handles with plastic grips or curved handles with knobs. An optional clutch and throttle interlock can be ordered with this unit. The purpose of this interlock is to prevent shifting, above engine idle. It is only available for systems having both clutch and throttle on the same control. In two station applications only one interlock is required. For gears with an electric clutch, an adaptor with two micro-switches can be ordered.

FEATURES:

- Corrosion free die cast silicon bronze and stainless steel hardware
- 3 adjustable stroke ranges up to 3 inches
- suitable for 30 series and 40 series cables
- LARGE center bearings
 - No lost motion
 - High strength
 - Low wear and long life
- Removable dome for easy head and cable installation
- Independent friction and detent (standard) are adjustable and removable
- Operating quadrants are positively pin-fastened to handle shaft for safety
- Suitable for series or parallel rigging
- Optional safety switch, which prevents engine starting unless control head is in neutral (centre) position, is available either pre-installed or in kit form
- Self-adhesive labels, instructions and a cutout template are included

ORDERING INFORMATION

- A - One short handle with friction and one long handle with detent
- AA - One short handle with friction and one long handle with friction
- B - Two long handles with detent
- C - Two long handles with friction
- D - Two long handles with one detent and one friction
- E - Two short handles with detent
- F - Two short handles with friction
- G - Two short handles with one detent and one friction
- *H - With one neutral safety switch
- I - Electric clutch adaptor
- *J - With two neutral safety switches
- K - With chrome finish cover and handles
- L - With polished brass finish cover and handles
- M - With black epoxy finish cover and chrome handles
- S - R.H. Model with interlock (gear on right side)
- T - L.H. Model with interlock (gear on left side)
- U - With curved handles and red or black knobs
- V - With red or black plastic grips

The standard model 2009 control head is supplied as follows:

- i. One short handle with friction and one long handle with detent
- ii. With chrome finish cover and handles
- iii. Without neutral safety switch

To order, state model number followed by Model Designation letter codes.

Example: A standard model 2009 control head would be
2009 AK

Note:

Cable connector kits are ordered separately. Each push pull cable end attached to the control head requires one kit.

Accessories Ordering Numbers:

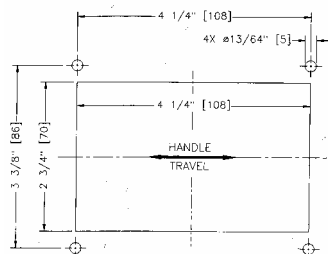
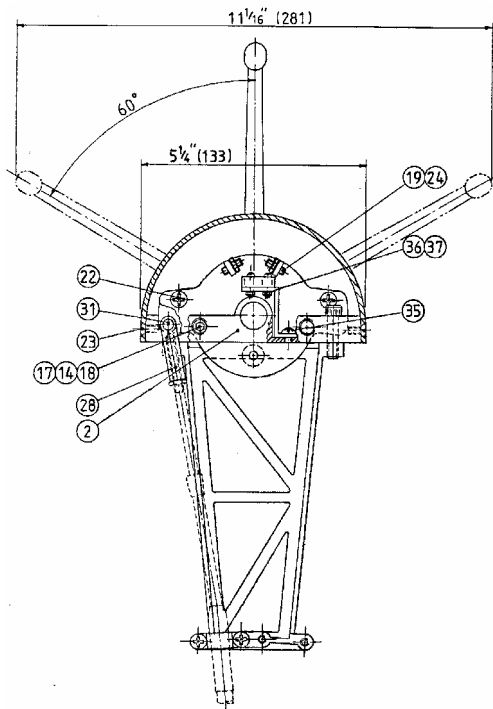
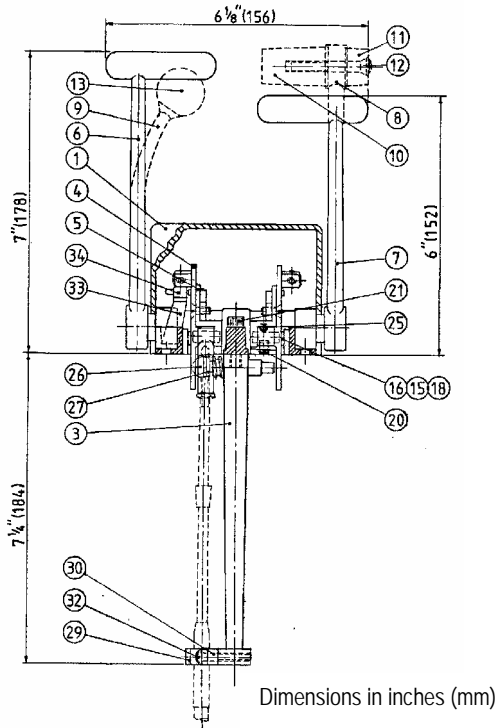
2009-0901	Connector Kit (30 series cable)
2009-0902	Connector Kit (40 series cable)
2009-0903	Neutral Safety Switch Kit
2009-0910	Electric Clutch Adaptor Kit

Weight: 6 lbs. (2.7 kg)

* Neutral safety switch is normally installed with detented handle.

U.S. Pat. No. 4280371
CAN Pat. No. 115813

2009 DIMENSIONS AND PARTS LIST



Cut-out Dimensions

Item	Quantity	Part Number	Description
1	1	2009-0001	Dome
2	1	2009-0002	Frame
3	1	2009-0003	Support
4	1	2009-0004A	Pivot Plate (Three Detents)
4	1	2009-0004B	Pivot Plate (Three Detents)
5	2	2009-0005	Pin Retainer
6	* 1	2009-0015	Long Handle (standard)
7	* 1	2009-0016	Short Handle (standard)
8	* 1	2009-2015	Long Handle (plastic grips)
8	* 1	2009-2016	Short Handle (plastic grips)
9	* 2	2009-3015	Curved Handle (knobs)
10	* 1	2111-0001B	Plastic Grip (black)
10	* 1	2111-0001R	Plastic Grip (red)
11	* 1	2111-0004B	Grip End (black)
11	* 1	2111-0004R	Grip End (red)
12	* 2	1011-1028	Oval Hd Screw
13	* 1	2030-0011	Black Knob
13	* 1	2030-0012	Red Knob
14	* 1	2009-0011	Detent Plunger
15	* 1	2542-0008	Friction Pad
16	* 1	1201-0002	Spring
17	* 1	1201-0003	Spring
18	2	1016-1204	Set Screw
19	4	1016-0808	Set Screw
20	2	1016-0804	Set Screw
21	2	1002-1016	Socket Hd Screw
22	4	1009-0808	Flat Hd Screw
23	2	1005-0808	Oval Hd Screw
24	4	1022-0108	Nut
25	2	1024-0816	Spring Pin
Optional Interlock			
26	1	2009-0014	Interlock Pin
27	1	1201-0005	Spring
2009-0901 (30 series) connection kit			
28	1	2105-0001	Clevis
29	1	2108-0001	Clamp
30	1	2109-0002	Spacer
31	1	1037-0410	Pin
32	2	1010-0808	Round Hd Screw
2009-0902 (40 series) connection kit			
28	1	2105-0002	Clevis
29	1	2108-0002	Clamp
30	1	2109-0002	Spacer
31	1	1037-0410	Pin
32	2	1012-0814	Pan Hd Screw
2009-0903 Neutral safety switch set			
33	1	2011-0007	Bracket
34	1	1901-0001	Microswitch
35	1	1010-0804	Round Hd Screw
36	2	1004-0208	Round Hd Screw
37	2	1022-0102	Nut

* Quantity may vary