


Welcome...

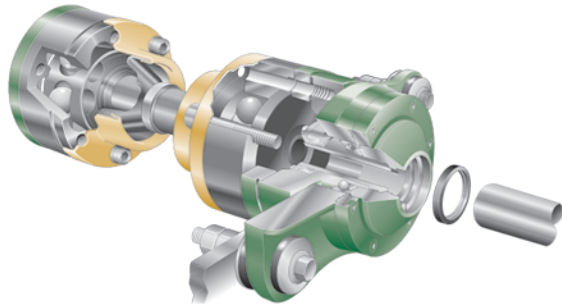


... to the World of Aquadrive. In this product manual you can find technical information about the Aquadrive system. To quickly access the information you require, just click on a chapter number to the right and you will be transferred to the first page of that chapter.

Use the arrow-buttons (toolbar-menu) if you wish to go to previous / following page ◀ ▶, the last page ▶|, or back to the table of contents ◀◀ .

You can also use Acrobat Reader's search function  (also in the 'edit' menu) where you can enter for example a part number you are looking for.

1. Product presentation	1
2. Installation dimensions - Overview Inbyggnadsmått - Översikt	2
3. CV shafts CV-axlar	3
4. CV shafts - Spare parts CONTACT AQUADRIVE, USA 1-732-291-9392	4
5. Classic - Thrust bearings Classic - Trycklager	5
6. Classic - Basic thrust units CONTACT AQUADRIVE, USA 1-732-291-9392	6
7. Classic - Spare parts CONTACT AQUADRIVE, USA 1-732-291-9392	7
8. ModuLine - Thrust bearings ModuLine - Trycklager	8
9. ModuLine - Spare parts CONTACT AQUADRIVE, USA 1-732-291-9392	9
10. HDL - Thrust bearings HDL - Trycklager	10
11. HDL - Spare parts CONTACT AQUADRIVE, USA 1-732-291-9392	11
12. Adapter kit - Selection guide CONTACT AQUADRIVE, USA 1-732-291-9392	12
13. Adapter kits CONTACT AQUADRIVE, USA 1-732-291-9392	13
14. CVT units CVT enheter	14
15. CVM units CVM enheter	15
16. Engine mounts CONTACT AQUADRIVE, USA 1-732-291-9392	16
17. General information CONTACT AQUADRIVE, USA 1-732-291-9392	17



**Outstanding technology
to improve boats worldwide.
Now for power rates up to 2000 hp.**

**The traditional, rigid engine
installation...**

In traditional installations, the engine must be very precisely aligned to the propeller shaft. The thrust of the propeller has to be absorbed by the engine and its mounts. These restrictions demand very stiff mounts which transmit high levels of vibration to the hull.

**... or superior engineering through
Aquadrive®**

The Aquadrive® anti-vibration system eliminates the need for stiff, hard mounts and for careful engine alignment to the propeller shaft. Instead, the propeller shaft is aligned to an Aquadrive® thrust bearing which absorbs all the propeller thrust and stabilizes the alignment. CV-joint shafts transmit engine power to the thrust-bearing and propeller shaft while allowing engine movements in every direction. Super-soft Aquadrive® engine-mounts isolate nearly all vibration from the hull and create the necessary conditions for a smooth and quiet boat.

**Easier engine installations and
permanent alignment**

Aquadrive® systems utilize CV-shafts to allow extreme misalignment and engine movement. The system automatically adjusts to any changes in alignment between the engine and thrust bearing. Unlike standard marine engine installations, alignment is more easily accomplished and should not require periodic adjustments.

**Torsional damping and Aquadrive®
systems**

Soft, flexible rubber elements are normally installed between the engine flywheel and gearbox to avoid torsional vibration. Aquadrive® CV-shafts can surely be directly coupled to those gearboxes without additional rubber or flexible elements. For flywheel-mounted installations, Aquadrive® torsional rubber dampers combined with CV-shafts (CVT-units) are available in a full range of power applications involving remote-mounted propulsion equipment, such as water-jets, stern drives and remote v-drives.

Three different series

Aquadrive® offers fourteen different models divided into three series:
Classic for smaller engines up to 5–100 kW (135 hp)
ModuLine for midrange engines up to 100–310 kW (420 hp)
HDL for heavy duty use up to 310–1200 kW (1 630 hp)
All three series follow the same concept, consisting of CV-shaft, thrustbearing and soft engine mounts.

The CV-shaft

The drive shaft of variable length includes two true plunging Constant Velocity joints that work independently at any angle which eliminates the need for accurate engine alignment, either during initial installation or subsequent use. The rolling action of balls within the CV-joints absorb all axial and radial loads, permitting the use of very soft engine mounts as well as reducing wear in connected bearings.

The Thrust bearing assembly

Aquadrive's hefty thrust bearing assemblies with rubber mounts attach to a cross brace in the hull. Massive bearings transfer the thrust directly to the hull and not the engine. In addition, the propeller shaft is much better supported, leading to smoother running and less wear on the stern seal.

The Adapters

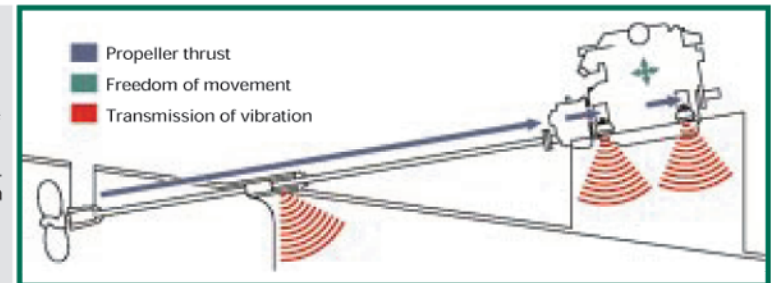
A neat range of pre-machined gearbox coupling kits allows problem-free coupling to almost every marine gearbox transmission. All exposed fasteners are made of high-grade stainless steel.

The Engine mounts

Aquadrive's proven engine mounts are softer than almost any other and indeed should be used with the Aquadrive® coupling to take full advantage of the system. These mounts are steel hooded to prevent diesel damage and fully captive so that the engine cannot leave its frame even if the vessel is turned over.

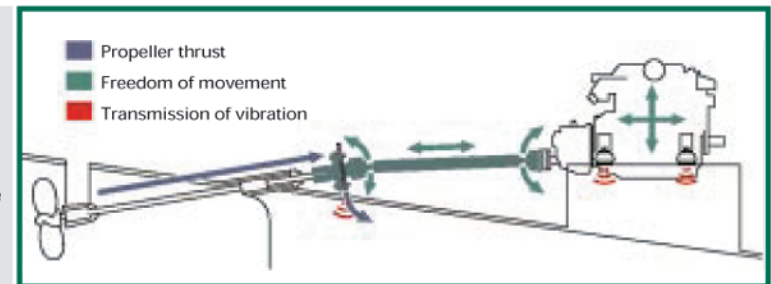
**Traditional, rigid engine
installation**

In traditional installations, the alignment of propeller shaft to the engine has to be very precise and subject to periodical maintenance. Relatively stiff mounts transmit high levels of vibration to the hull, even when perfectly aligned.



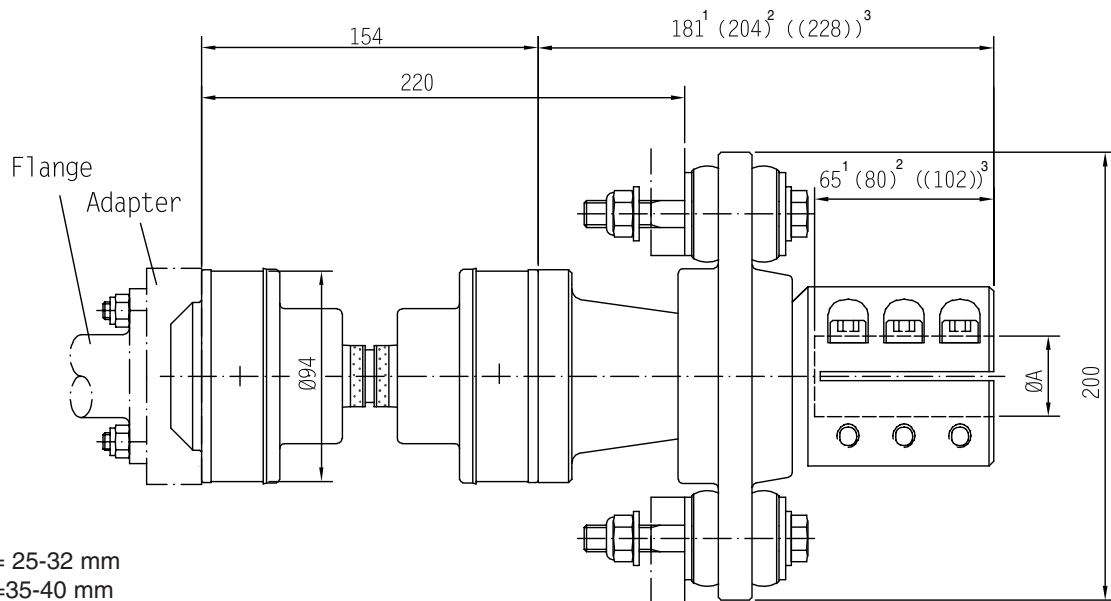
**Installation with
Aquadrive®**

The engine can be installed in a horizontal position using super soft and efficient mounts. Apart from easy installation and permanent alignment, this also leads to better space utilization while dramatically reducing vibration and noise.



Classic

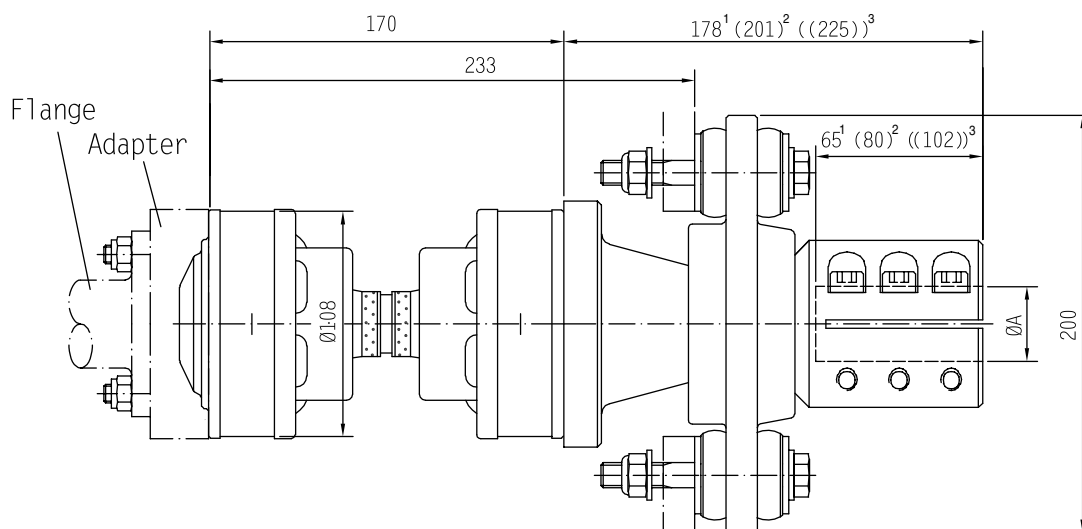
CVA 20100A



- ¹ ⇒ ØA= 25-32 mm
- ² ⇒ ØA=35-40 mm
- ³ ⇒ ØA=1¾"-45mm

	Thrust bearing	CV shaft	Adapter
Series	20100A	CV10	⇒CV10
Page	5-1	3-4	13-9 – 13-16

CVA 20200

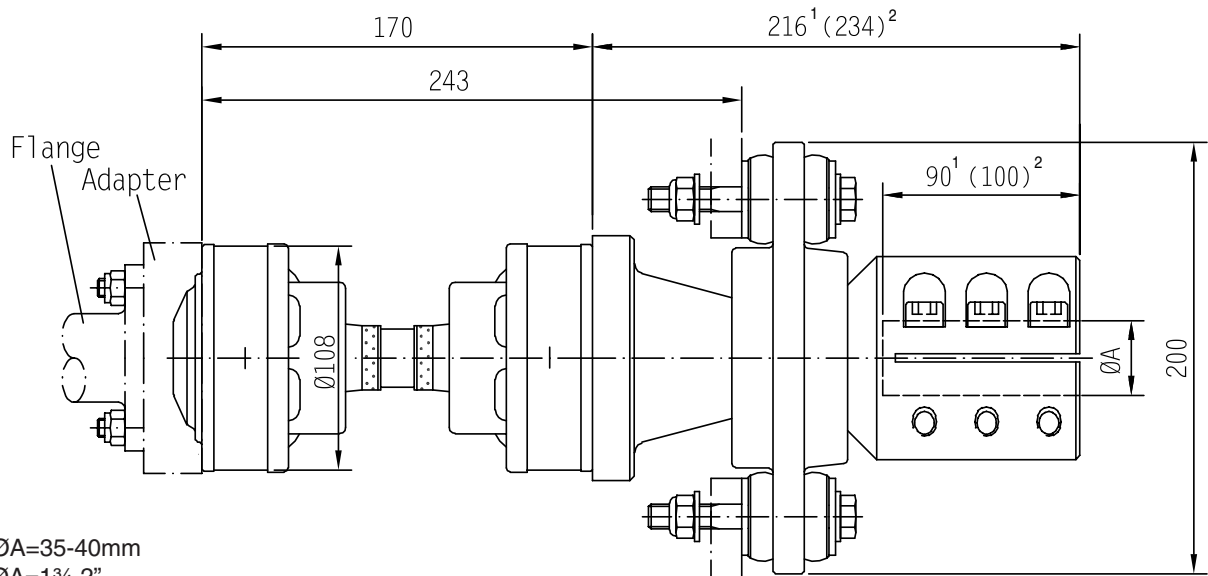


- ¹ ⇒ ØA= 25-32 mm
- ² ⇒ ØA=35-40 mm
- ³ ⇒ ØA=1¾"-45mm

	Thrust bearing	CV shaft	Adapter
Series	20200	CV15	⇒ CV15
Page	5-3	3-5	13-17 – 13-25

Classic

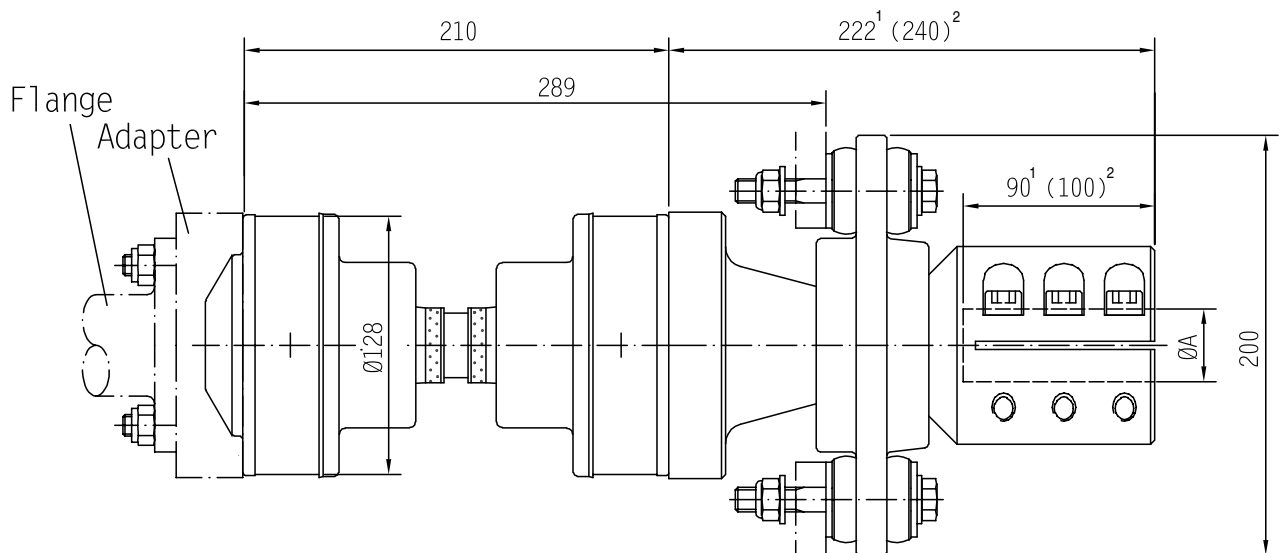
CVA 20280



¹ ⇒ ØA=35-40mm
² ⇒ ØA=1¾-2"

	Thrust bearing	CV shaft	Adapter
Series	20280	CV15	⇒ CV15
Page	5-5	3-5	13-17 – 13-25

CVA 20300

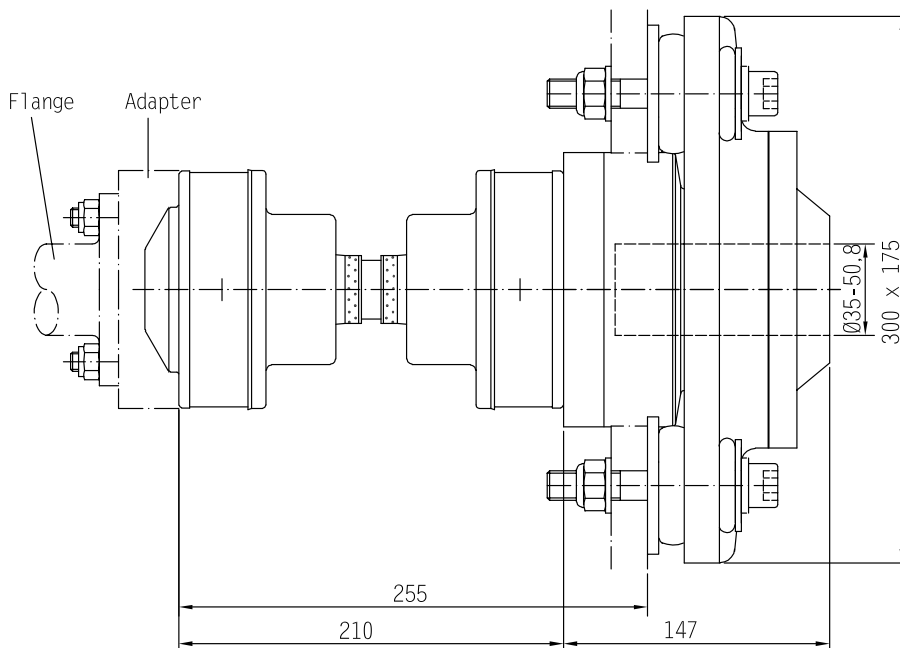


¹ ⇒ ØA=35-40mm
² ⇒ ØA=1¾-2"

	Thrust bearing	CV shaft	Adapter
Series	20300	CV21	⇒ CV21
Page	5-7	3-6	13-26 – 13-35

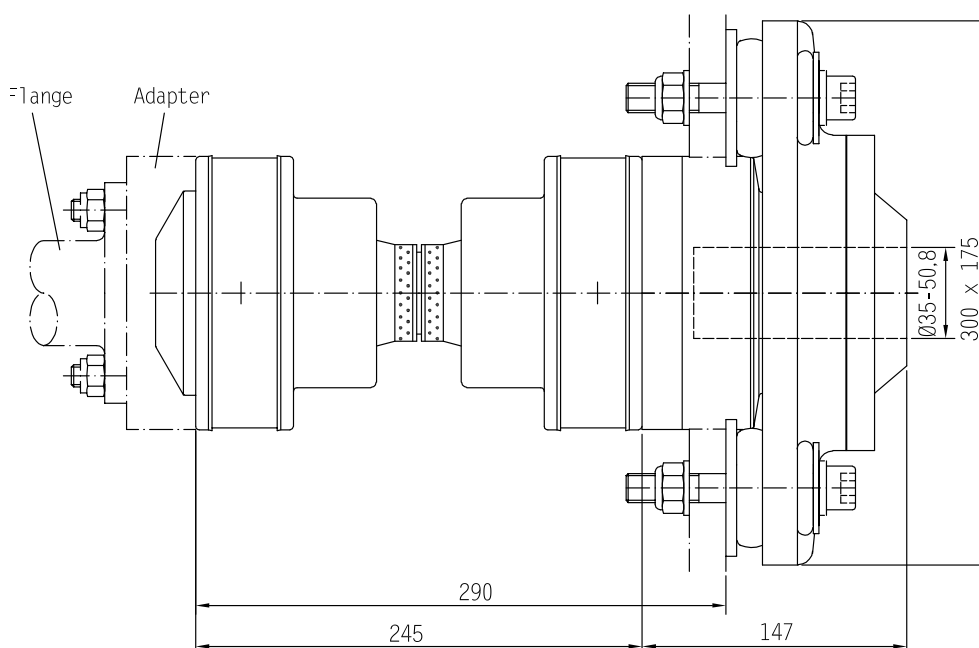
ModuLine

CVB 21.20



	Thrust bearing	CV shaft	Adapter
Series	B20	CV21	⇒CV21
Page	8-1	3-6	13-26 – 13-35

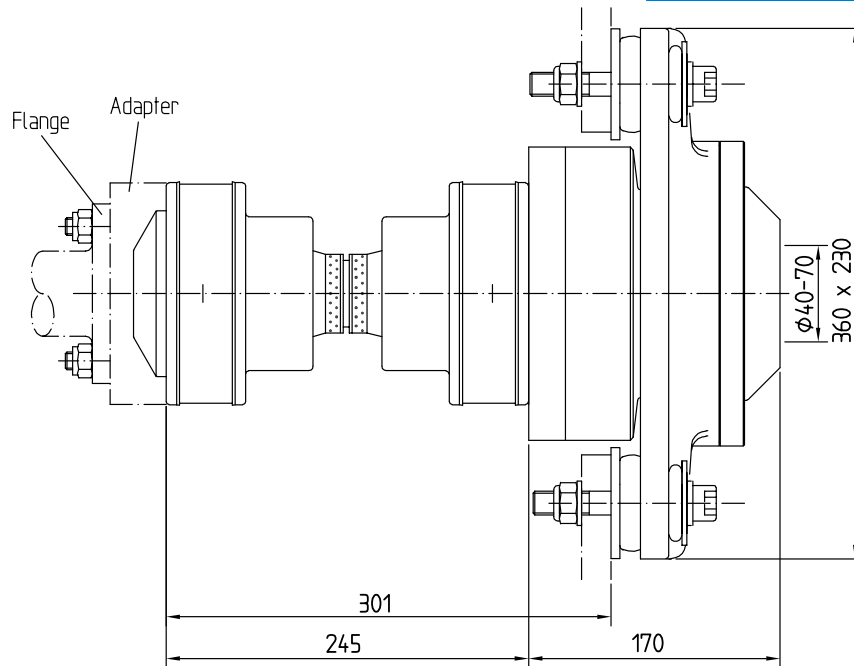
CVB 30.20



	Thrust bearing	CV shaft	Adapter
Series	B20	CV30	⇒CV30
Page	8-1	3-8	13-37 – 13-45

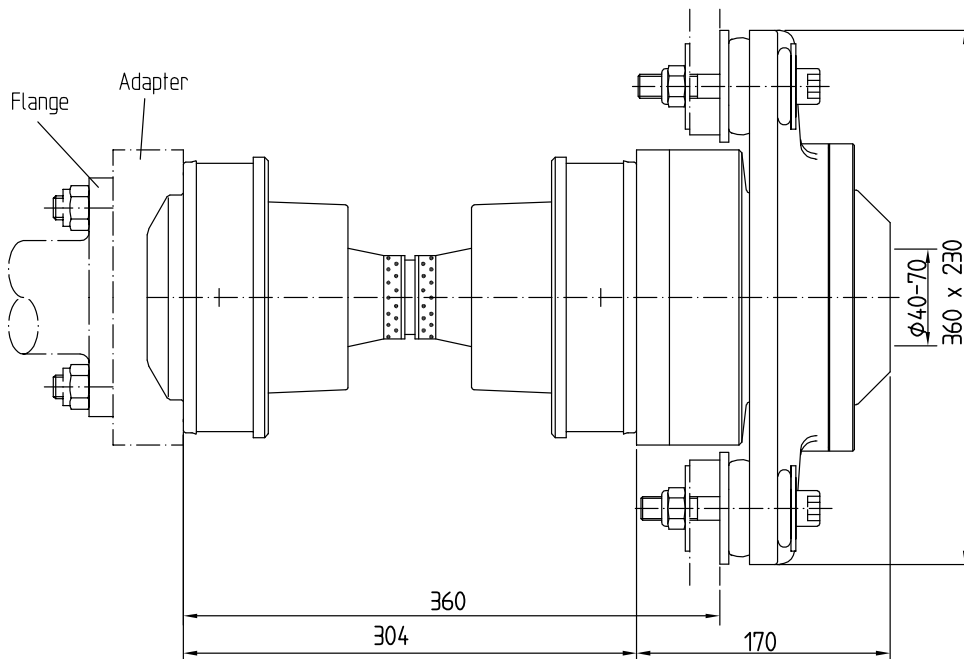
ModuLine

CVB 30.30



	Thrust bearing	CV shaft	Adapter
Series	B30	CV30	⇒ CV30
Page	8-3	3-8	13-37 – 13-45

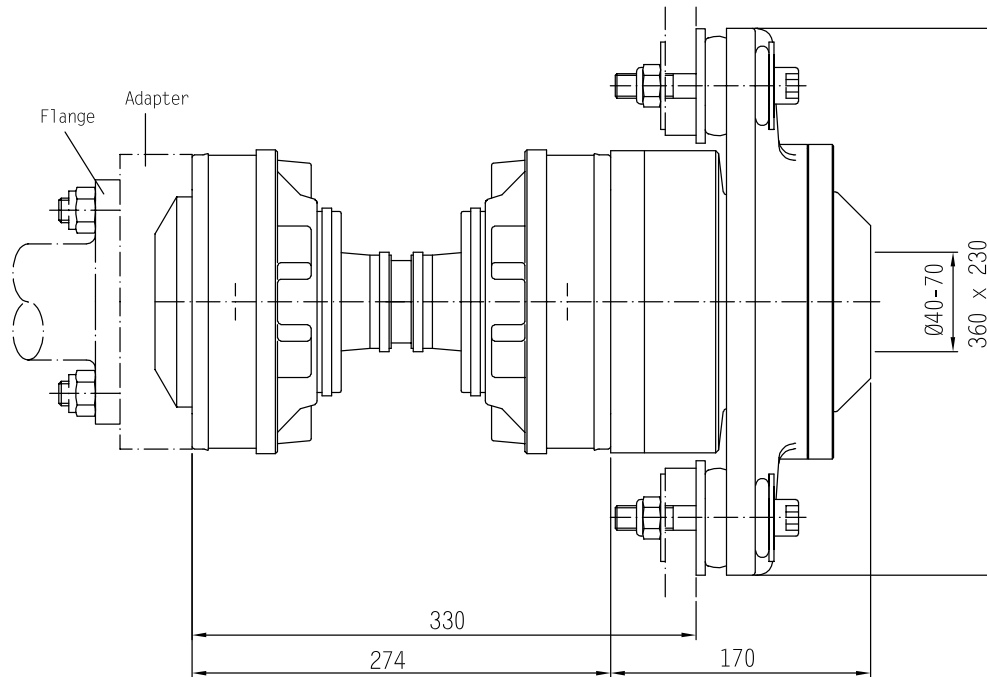
CVB 32.30



	Thrust bearing	CV shaft	Adapter
Series	B30	CV32	⇒ CV32
Page	8-3	3-10	13-46 – 13-47

ModuLine

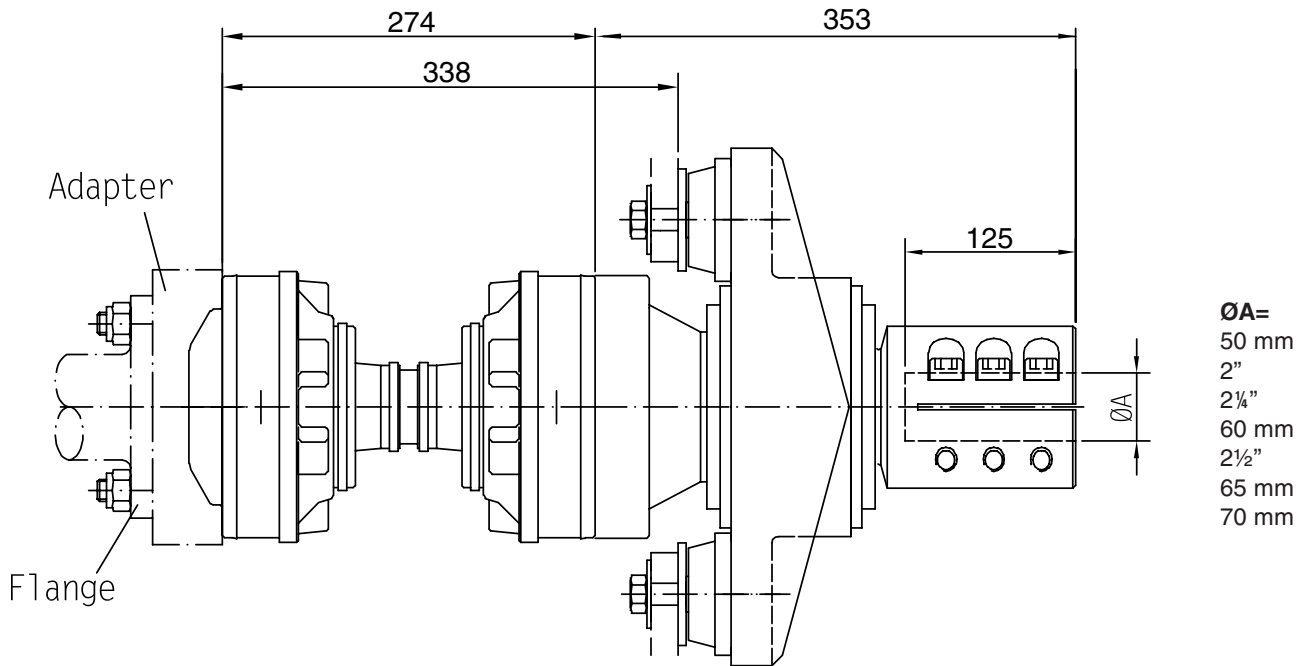
CVB 42.30



	Thrust bearing	CV shaft	Adapter
Series	B30	CV42	⇒CV42
Page	8-3	3-11	13-48 – 13-53

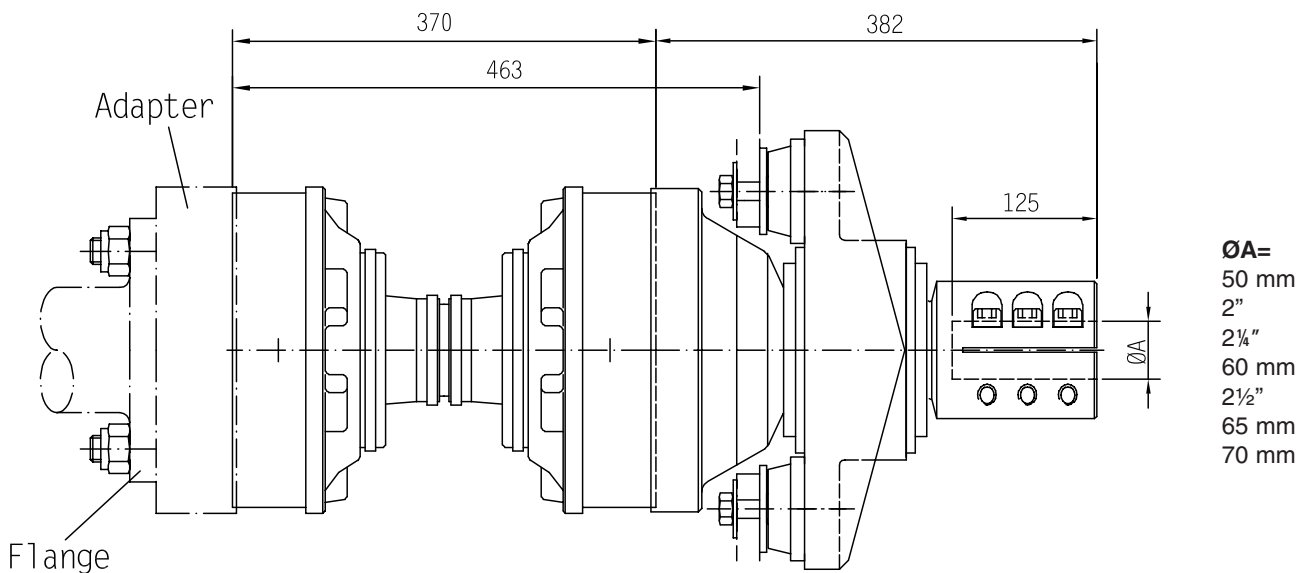
Heavy Duty Line

HDL 42.680



	Thrust bearing	CV shaft	Adapter
Series	HDL 680	CV42	⇒CV42
Page	10-1	3-11	13-48 – 13-53

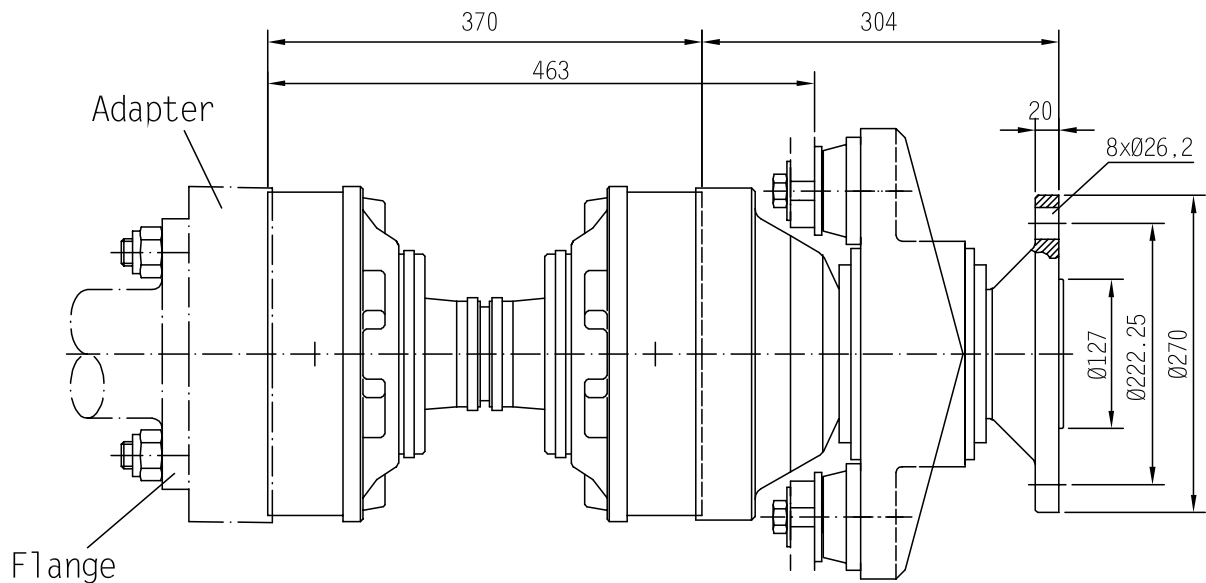
HDL 60.700



	Thrust bearing	CV shaft	Adapter
Series	HDL 700	CV60	⇒CV60
Page	10-3	3-12	13-54 – 13-60

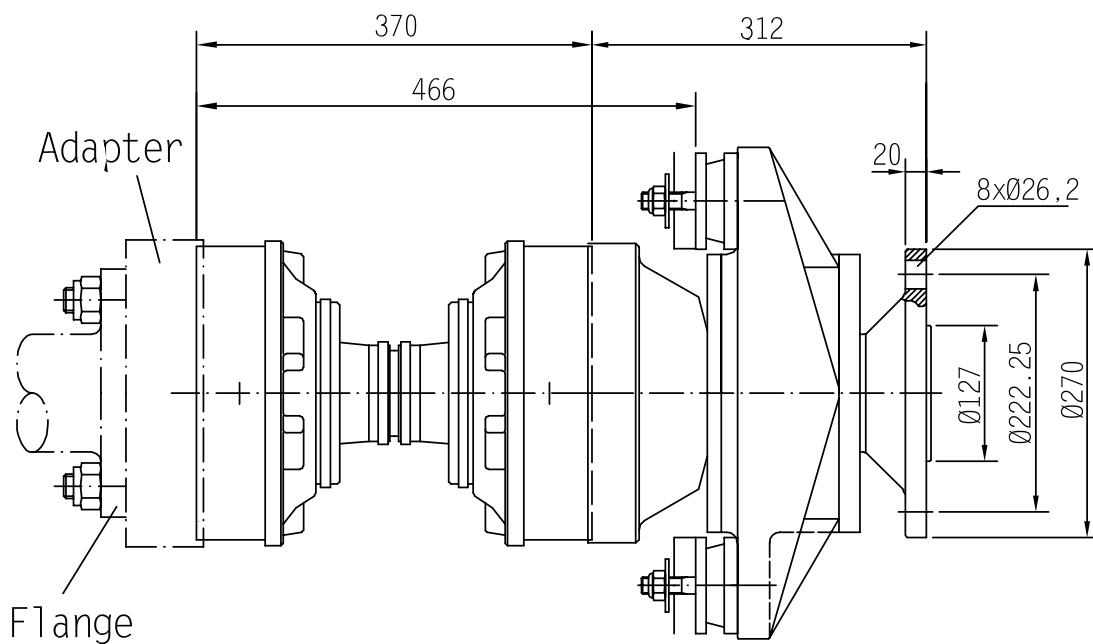
Heavy Duty Line

HDL 60.700HT



	Thrust bearing	CV shaft	Adapter
Series	HDL 700	CV60	⇒CV60
Page	10-4	3-12	13-54 – 13-60

HDL 60.780

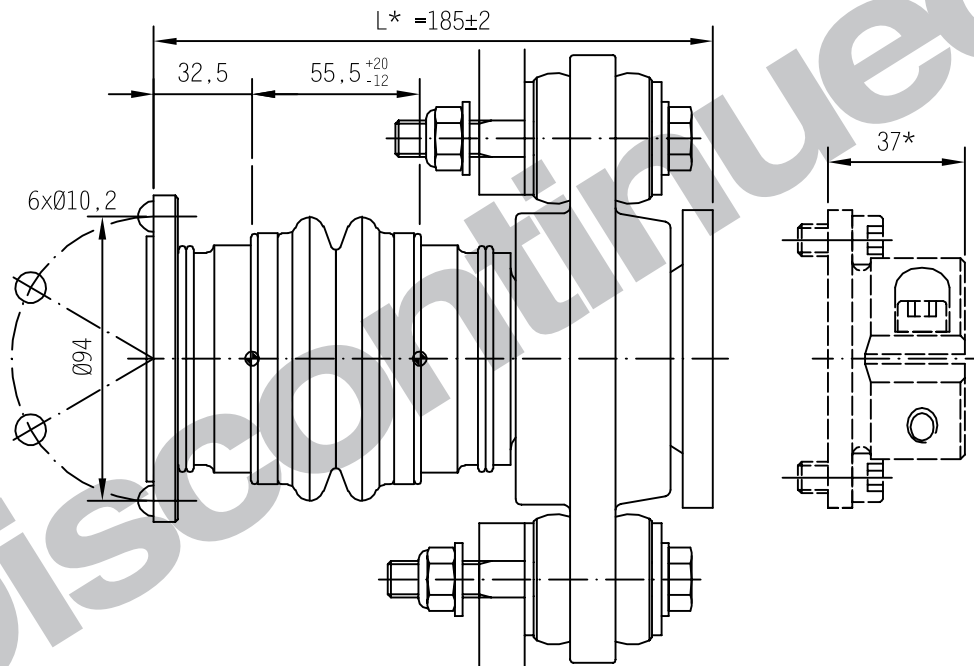


	Thrust bearing	CV shaft	Adapter
Series	HDL 780	CV60	CV60
Page	10-6	3-12	13-54 – 13-60

CVA unit / CVA-enhet

CV 05

Part no/ Art nr: 6070125



CV unit CV-enhet	Shaft clamp Axellåsning	Shaft Axel
6070125	6031250	3/4"
	6031251	20 mm
	6031252	22 mm
	6031252	7/8"
	6031253	25 mm
	6031254	1 "
	6031256	1 1/8"
	6031257	30mm
	6031258	1 1/4"

*Från och med \varnothing 30 mm axeldiameter är längden 45 mm.

*From \varnothing 30 mm shaft diameter and above the length is 45 mm.

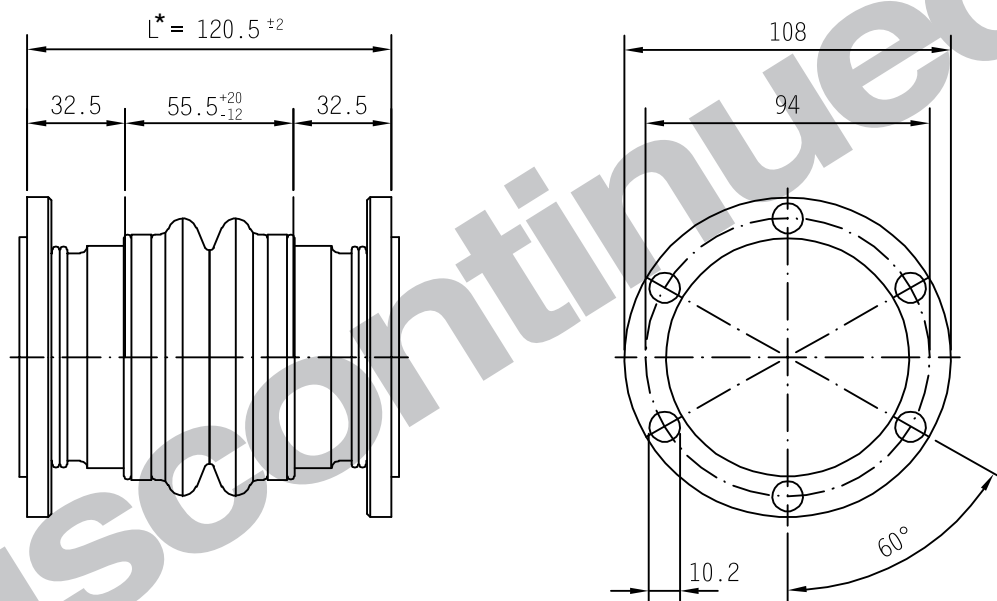
Part no/ Art nr:	6070125			
Max static torque Max statiskt vridmoment	675 Nm 500 lbft			
Max shaft revolutions/min Max axelvarvtal/min	3500 rpm			
Max angularity/joint Max avvinkling/knut	0-1500 rpm = 8°	2000 rpm = 6°	2400 rpm = 5°	3000 rpm = 4°
*Installation length / installations längd		** Axial plunge / Axiell rörlighet +20 / -12mm		

Note! Above max limits are subject to temperature restrictions and lifetime requirements.

CV shaft / CV-axel

CV 05

Part no/ Art nr: 6070115



Part no/ Art nr:	6070115			
Max static torque Max statiskt vridmoment	675 Nm 500 lbft			
Max shaft revolutions/min Max axelvarvtal/min	3500 rpm			
Max angularity/joint Max avvinkling/knut	0-1500 rpm = 8°	2000 rpm = 6°	2400 rpm = 5°	3000 rpm = 4°
*Installation length / installations längd		** Axial plunge / Axiell rörlighet +20 / -12mm		

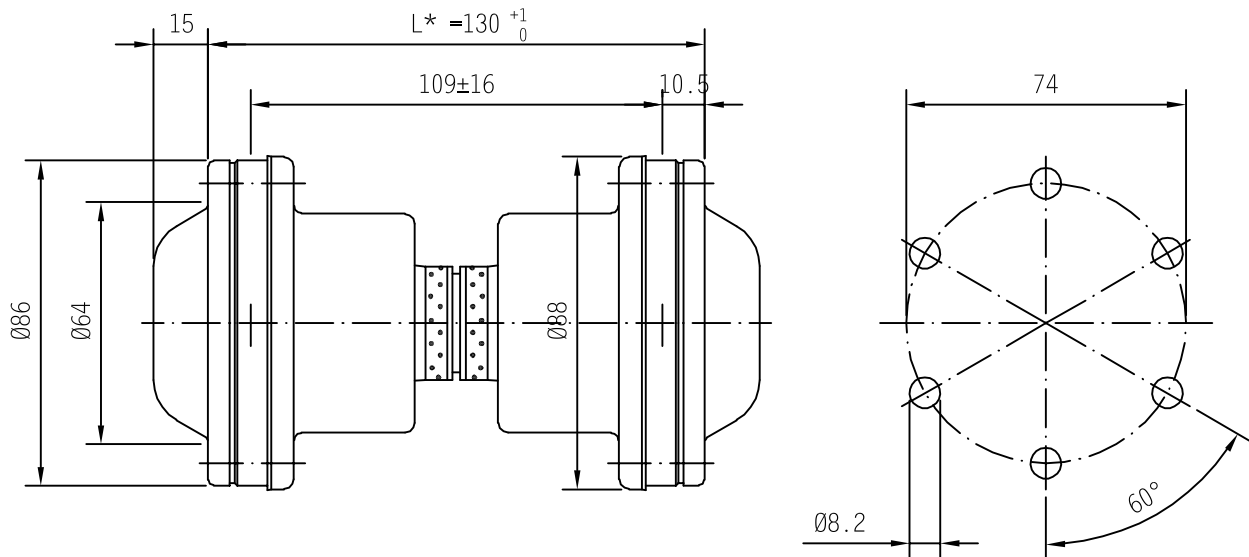
Note! Above max limits are subject to temperature restrictions and lifetime requirements.

CV shaft / CV-axel

CV 05

Part no/ Art nr: 6070001

Standard length / Standard längd



Part no/ Art nr:	6070001		
Max static torque Max statiskt vridmoment	1500 Nm 1100 lbft		
Max shaft revolutions/min Max axelvarvtal/min	8000 rpm		
Max angularity/joint Max avvinkling/knut	0-1400 rpm = 8°	1800 rpm = 6°	3600 rpm = 3°
: _____			
*Installation length / installations längd		** Axial plunge / Axiell rörlighet + -16 mm	

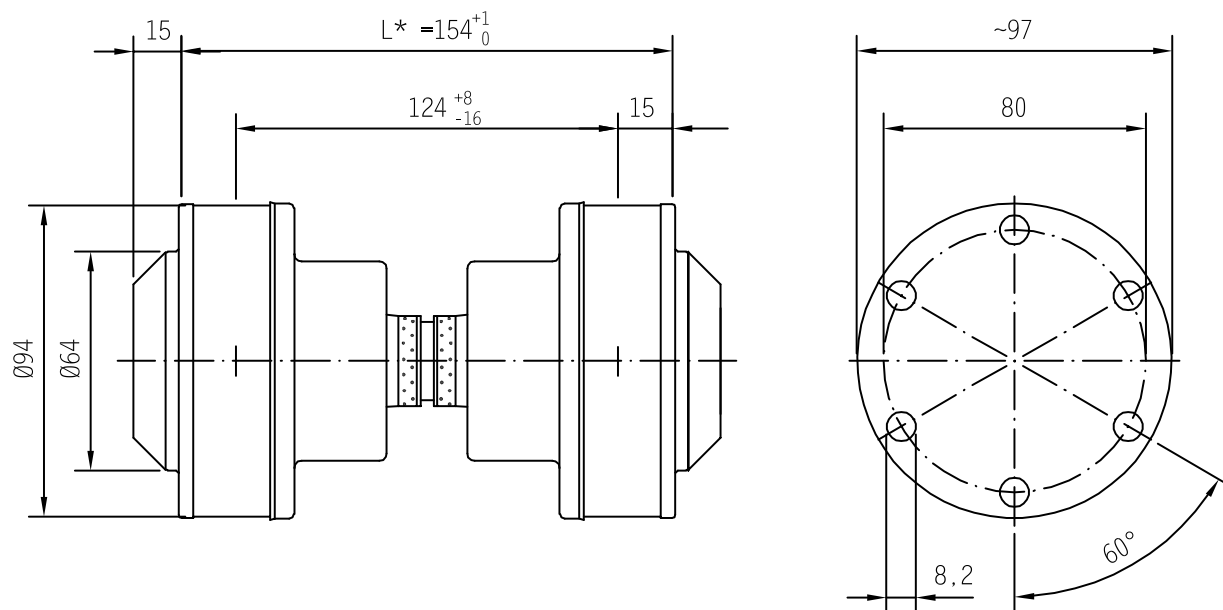
Note! Above max limits are subject to temperature restrictions and lifetime requirements.

CV shaft / CV-axel

CV 10

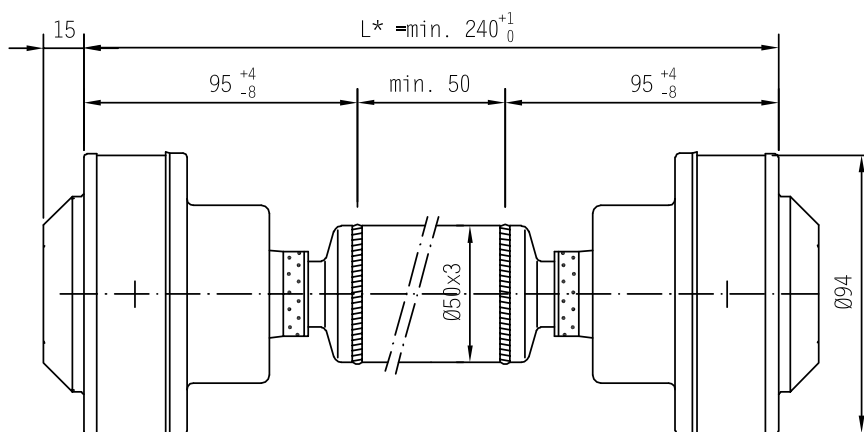
Part no/ Art nr: 6070006

Standard length / Standard längd



Part no/ Art nr: 6070019

Custom length / Anpassad längd



Part no/ Art nr:	6070006	6070019
Max static torque Max statiskt vridmoment	2300 Nm 1700 lbft	1300 Nm 960 lbft
Max shaft revolutions/min Max axelvarvtal/min	8000 rpm	L= 1000 mm → 5000 rpm L= 1300 mm → 3000 rpm L= 1700 mm → 1800 rpm
Max angularity/joint Max avvinkling/knut	0-1400 rpm = 8° 1800 rpm = 6°	3600 rpm = 3°
Screw kit / Skruvsats: 12xM8x55 A4 100	Part no / Art nr: 6036093	
*Installation length / installations längd	** Axial plunge / Axiell rörlighet +8 / -16 mm	

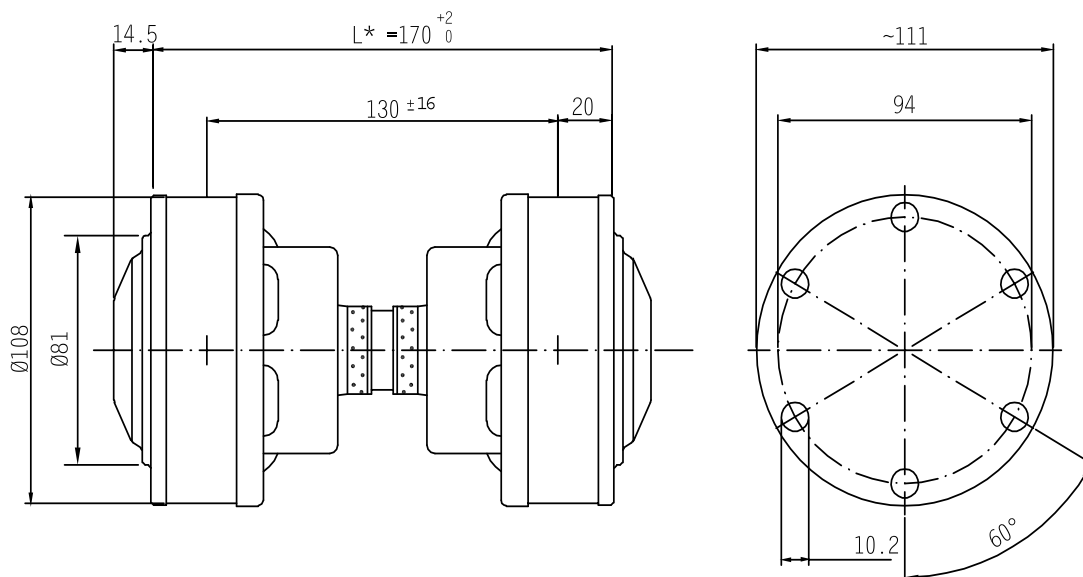
Note! Above max limits are subject to temperature restrictions and lifetime requirements.

CV shaft / CV-axel

CV 15

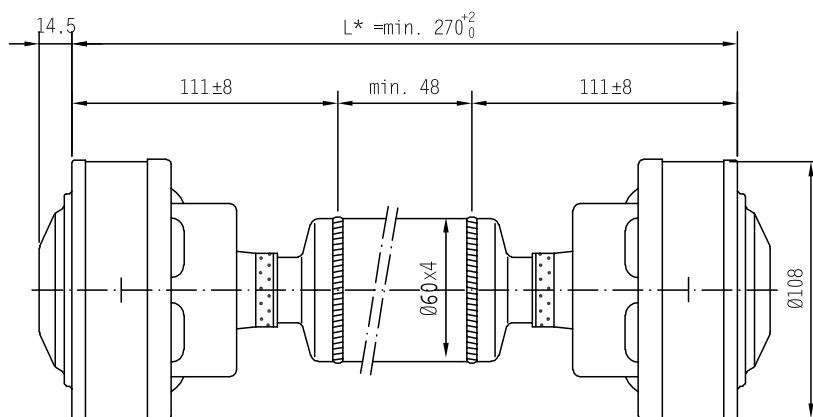
Part no/ Art nr: 6070025

Standard length / Standard längd



Part no/ Art nr: 6070035

Custom length / Anpassad längd



Part no/ Art nr:	6070025	6070035
Max static torque Max statiskt vridmoment	3700 Nm 2700 lbft	2500 Nm 1850 lbft
Max shaft revolutions/min Max axelvarvtal/min	8000 rpm	L= 1200 mm → 5000 rpm L= 1600 mm → 2800 rpm L= 2100 mm → 1600 rpm
Max angularity/joint Max avvinkling/knut	0-1400 rpm = 8° 1800 rpm = 6°	3600 rpm = 3°
Screw kit / Skruvsats: 12xM10x60 A4 100		Part no / Art nr: 6036094
*Installation length / installations längd		** Axial plunge / Axiell rörlighet +16 / -16 mm

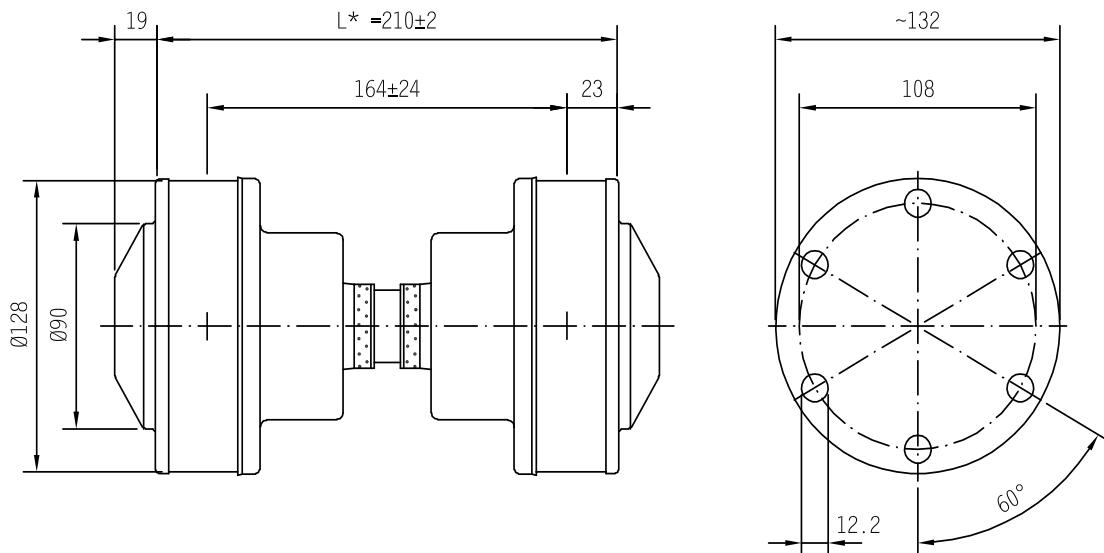
Note! Above max limits are subject to temperature restrictions and lifetime requirements.

CV shaft / CV-axel

CV 21

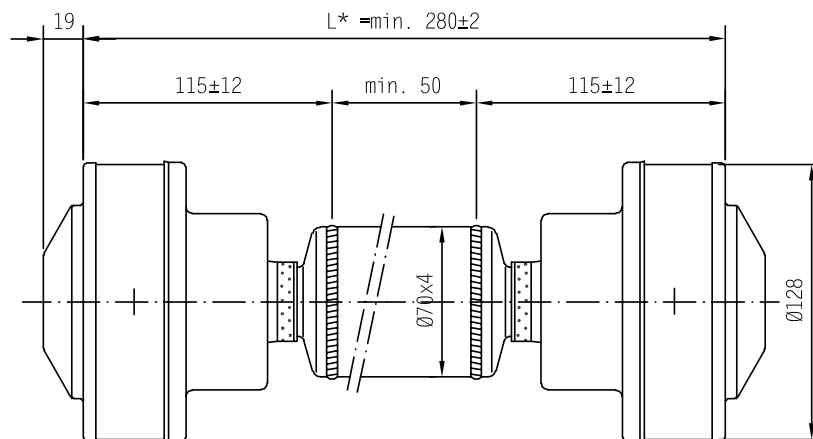
Part no/ Art nr: 6070040

Standard length / Standard längd



Part no/ Art nr: 6070049

Custom length / Anpassad längd



Part no/ Art nr:	6070040	6070049
Max static torque Max statiskt vridmoment	6000 Nm 4440 lbft	3500 Nm 2590 lbft
Max shaft revolutions/min Max axelvarvtal/min	8000 rpm	L= 1300 mm → 5000 rpm L= 1700 mm → 2900 rpm L= 2300 mm → 1600 rpm
Max angularity/joint Max avvinkling/knut	0-1400 rpm = 8° 1800 rpm = 6°	3600 rpm = 3°
Screw kit / Skruvsats: 12xM12x70 A4 100		Part no / Art nr: 6036095
*Installation length / installations längd		** Axial plunge / Axiell rörlighet +24 / -24 mm

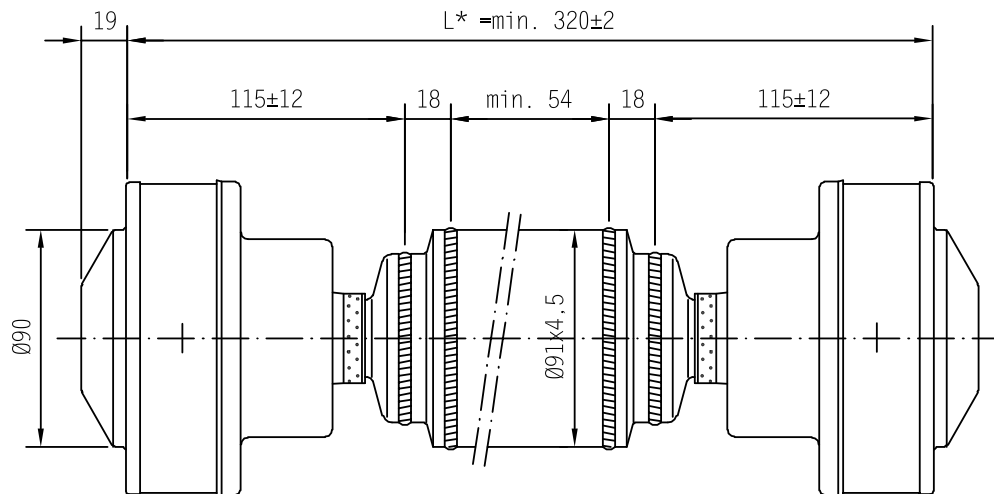
Note! Above max limits are subject to temperature restrictions and lifetime requirements.

CV-axel / CV shaft

CV 21

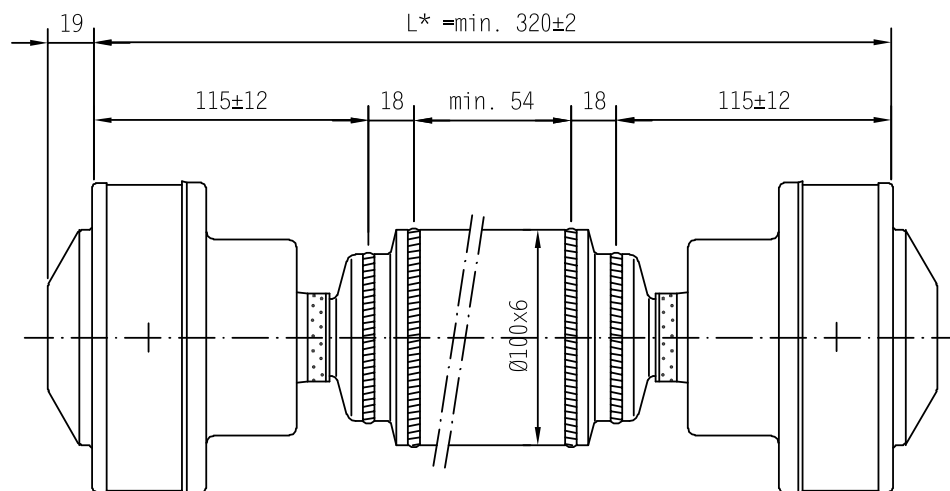
Part no/ Art nr: 6070049 B

Custom length / Anpassad längd



Part no/ Art nr: 6070049 C

Custom length / Anpassad längd



Part no/ Art nr:	6070049 B	6070049 C
Max static torque Max statiskt vridmoment	3500 Nm 2590 lbft	3500 Nm 2590 lbft
Max shaft revolutions/min Max axelvarvtal/min	L= 1500 mm → 5000 rpm L= 2000 mm → 2700 rpm L= 2500 mm → 1700 rpm	L= 1500 mm → 5000 rpm L= 2000 mm → 3000 rpm L= 2500 mm → 1900 rpm
Max angularity/joint Max avvinkling/knut	0-1400 rpm = 8° 1800 rpm = 6°	3600 rpm = 3°
Screw kit / Skruvsats: 12xM12x70 A4 100		Part no / Art nr: 6036095
*Installation length / installations längd		** Axial plunge / Axiell rörlighet +24 / -24 mm

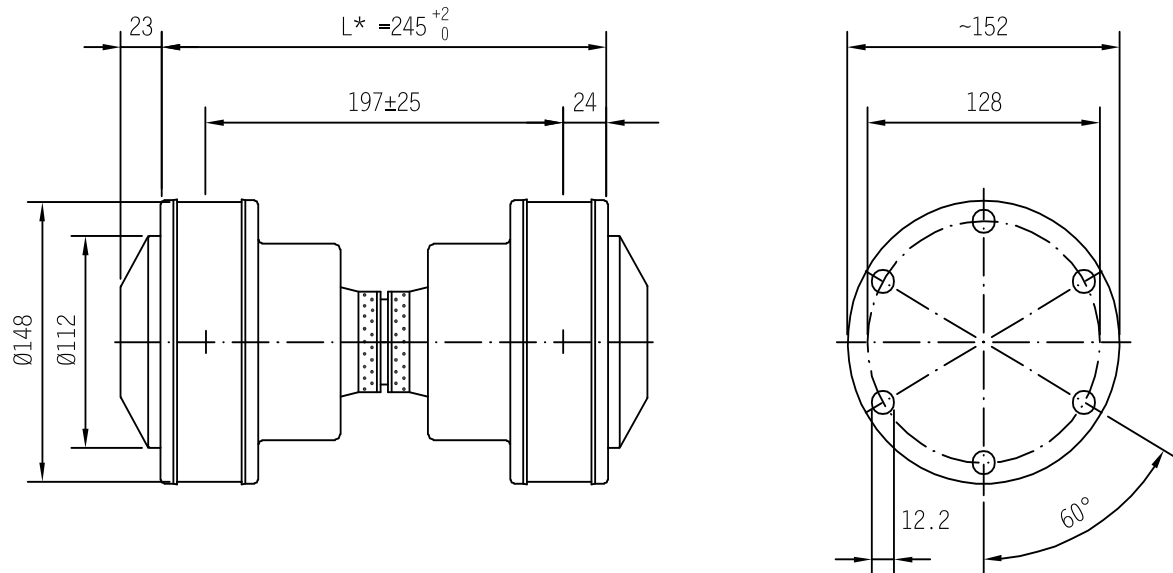
Note! Above max limits are subject to temperature restrictions and lifetime requirements.

CV-axel / CV shaft

CV 30

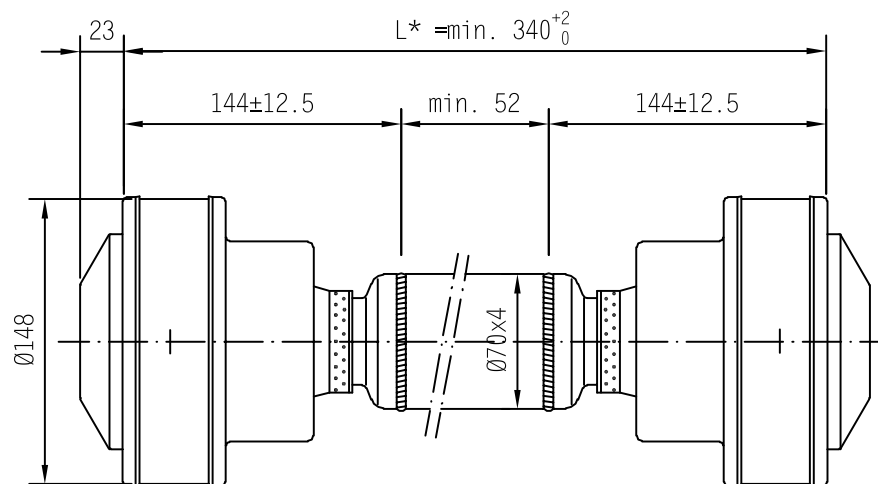
Part no/ Art nr: 6070090

Standard length / Standard längd



Part no/ Art nr: 6070095

Custom length / Anpassad längd



Part no/ Art nr:	6070090	6070095
Max static torque Max statiskt vridmoment	9200 Nm 6800 lbft	3500 Nm 2590 lbft
Max shaft revolutions/min Max axelvarvtal/min	5000 rpm	L= 1300 mm → 5000 rpm L= 1700 mm → 2900 rpm L= 2300 mm → 1600 rpm
Max angularity/joint Max avvinkling/knut	0-1400 rpm = 8° 1800 rpm = 6°	3600 rpm = 3°
Screw kit / Skruvsats: 12xM12x80 A4 100		Part no / Art nr: 6036096
*Installation length / installations längd		** Axial plunge / Axiell rörlighet +25 / -25 mm

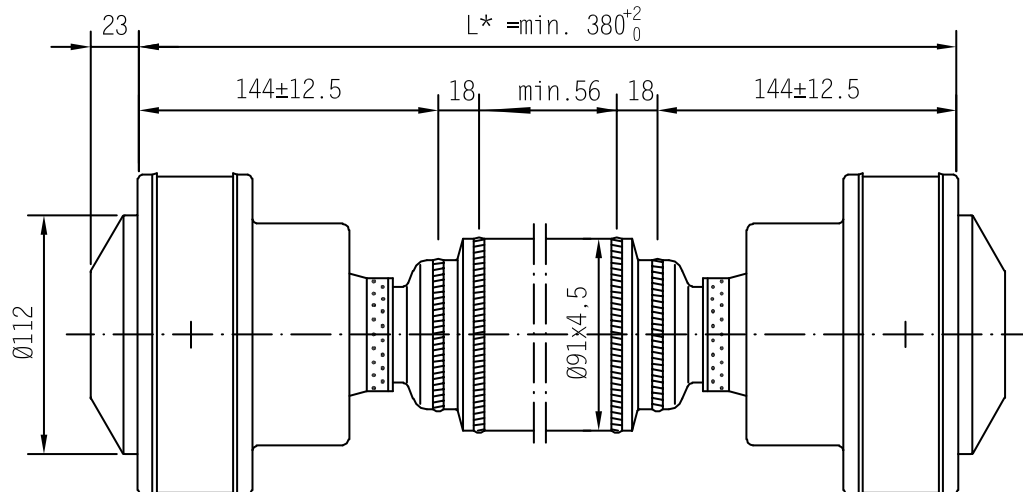
Note! Above max limits are subject to temperature restrictions and lifetime requirements.

CV-axel / CV shaft

CV 30

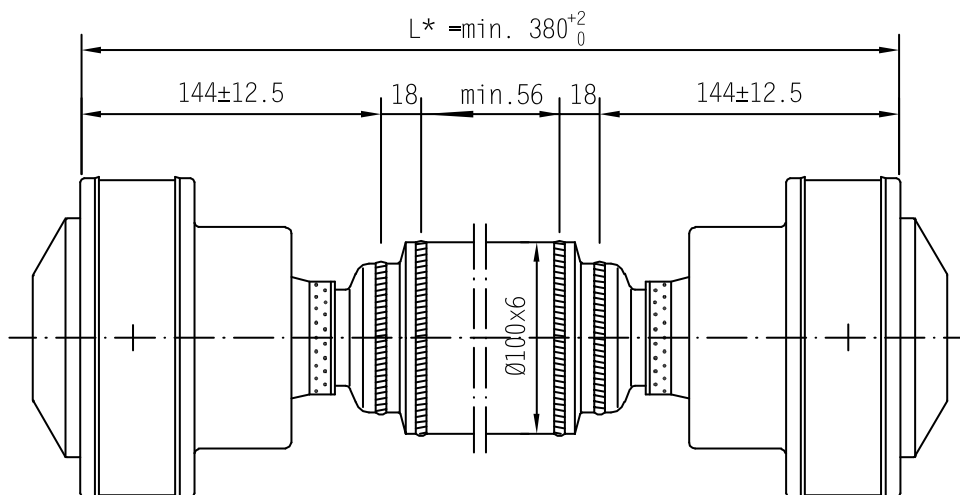
Part no/ Art nr: 6070095 B

Custom length / Anpassad längd



Part no/ Art nr: 6070095 C

Custom length / Anpassad längd



Part no/ Art nr:	6070095 B	6070095 C
Max static torque Max statiskt vridmoment	3500 Nm 2590 lbft	3500 Nm 2590 lbft
Max shaft revolutions/min Max axelvarvtal/min	L= 1600 mm → 5000 rpm L= 2000 mm → 2700 rpm L= 2500 mm → 1700 rpm	L= 1600 mm → 5000 rpm L= 2000 mm → 3000 rpm L= 2500 mm → 1900 rpm
Max angularity/joint Max avvinkling/knut	0-1400 rpm = 8° 1800 rpm = 6°	3600 rpm = 3°
Screw kit / Skruvsats: 12xM12x80 A4 100	Part no / Art nr: 6036096	
*Installation length / installations längd	** Axial plunge / Axiell rörlighet +25 / -25 mm	

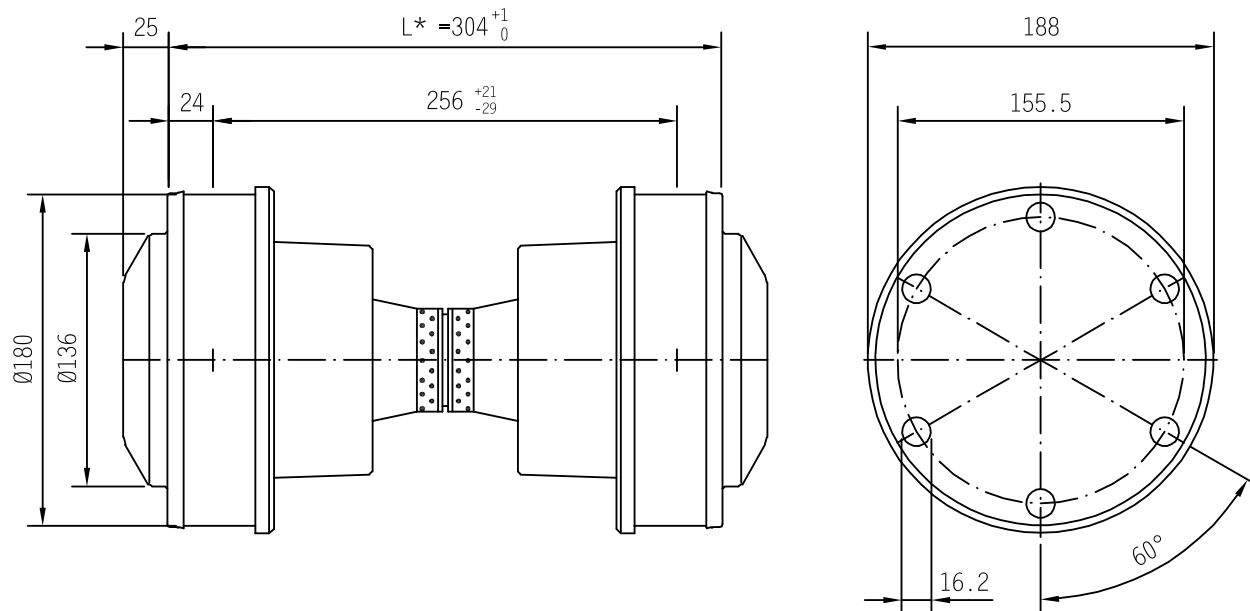
Note! Above max limits are subject to temperature restrictions and lifetime requirements.

CV-axel / CV shaft

CV 32

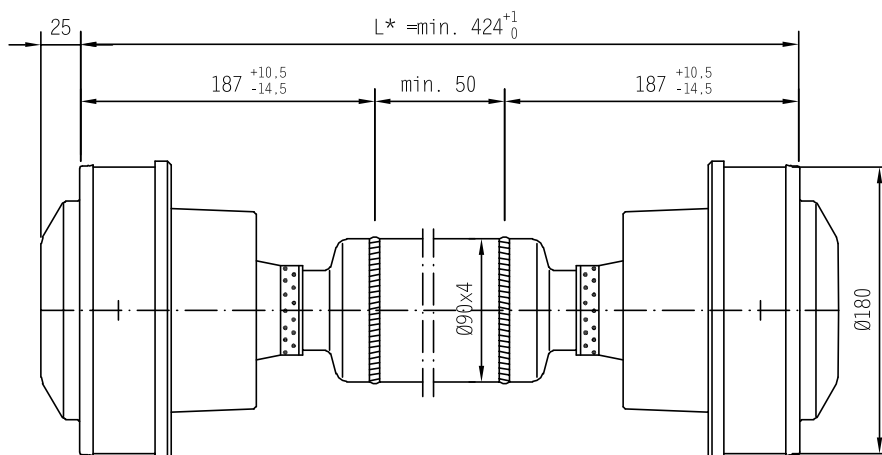
Part no/ Art nr: 6070097 (Replaces P/N 6070096)

Standard length / Standard längd



Part no/ Art nr: 6070098 (Replaces P/N 6070099)

Custom length / Anpassad längd



Part no/ Art nr:	6070096	6070099
Max static torque Max statiskt vridmoment	13 200 Nm 9770 lbft	6000 Nm 4440 lbft
Max shaft revolutions/min Max axelvarvtal/min	5000 rpm	L= 1500 mm → 4900 rpm L= 2000 mm → 2700 rpm L= 2500 mm → 1800 rpm
Max angularity/joint Max avvinkling/knut	0-1200 rpm = 8° 1600 rpm = 6°	3300 rpm = 3°
Screw kit / Skruvsats: 12xM16x80 A4 100		Part no / Art nr: 6036097
*Installation length / installations längd		** Axial plunge / Axiell rörlighet +21 / -29 mm

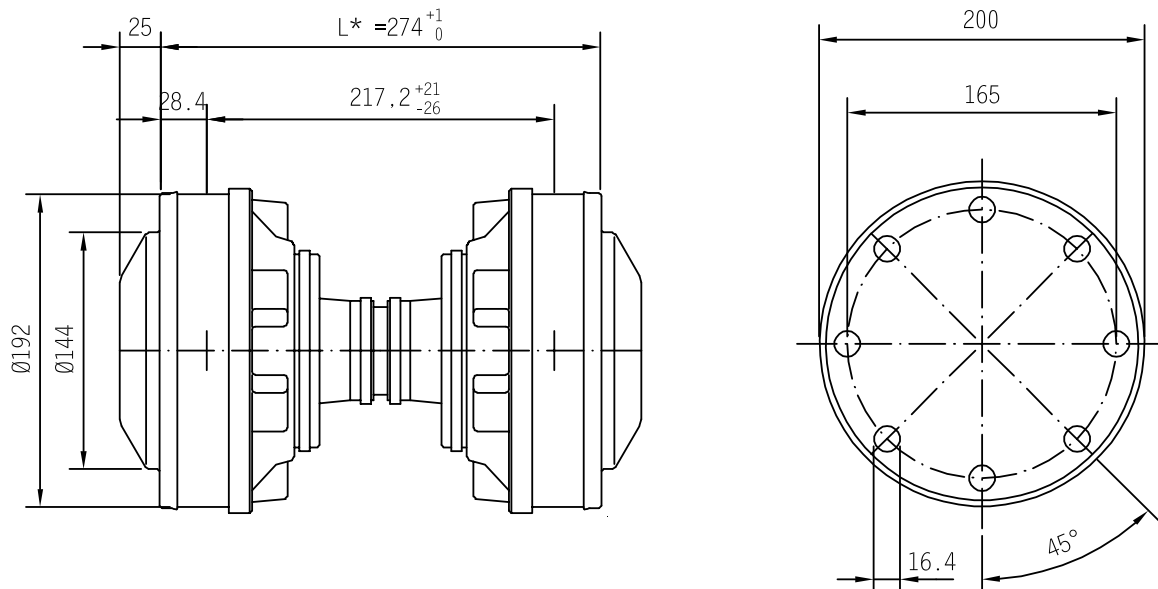
Note! Above max limits are subject to temperature restrictions and lifetime requirements.

CV-axel / CV shaft

CV 42

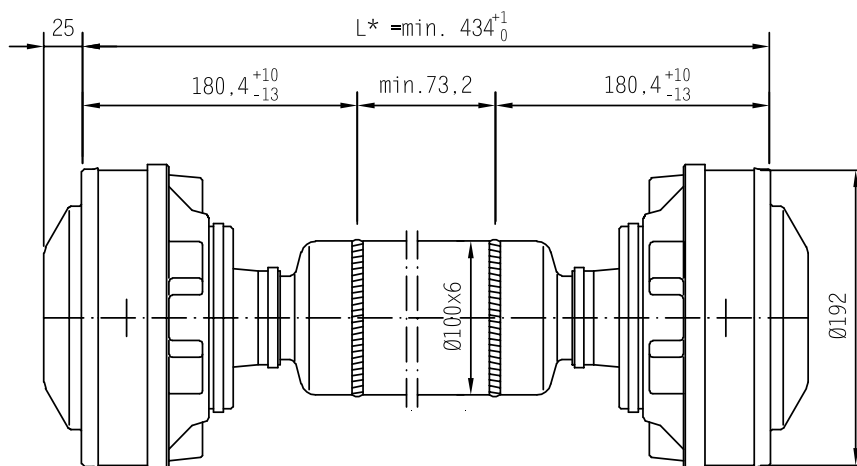
Part no/ Art nr: 6070083

Standard length / Standard längd



Part no/ Art nr: 6070087

Custom length / Anpassad längd



Part no/ Art nr:	6070083	6070087
Max static torque Max statiskt vridmoment	19 700 Nm 14 580 lbft	10 500 Nm 7770 lbft
Max shaft revolutions/min Max axelvarvtal/min	3000 rpm	L= 2000 mm → 3000 rpm L= 2500 mm → 1900 rpm L= 3000 mm → 1300 rpm
Max angularity/joint Max avvinkling/knut	1100 rpm = 8°	1500 rpm = 6°
		3000 rpm = 5°
Screw kit / Skruvsats: 16xM16x120 A4 100	Part no / Art nr: 6036098	
*Installation length / installations längd	** Axial plunge / Axiell rörlighet +21 / -26 mm	

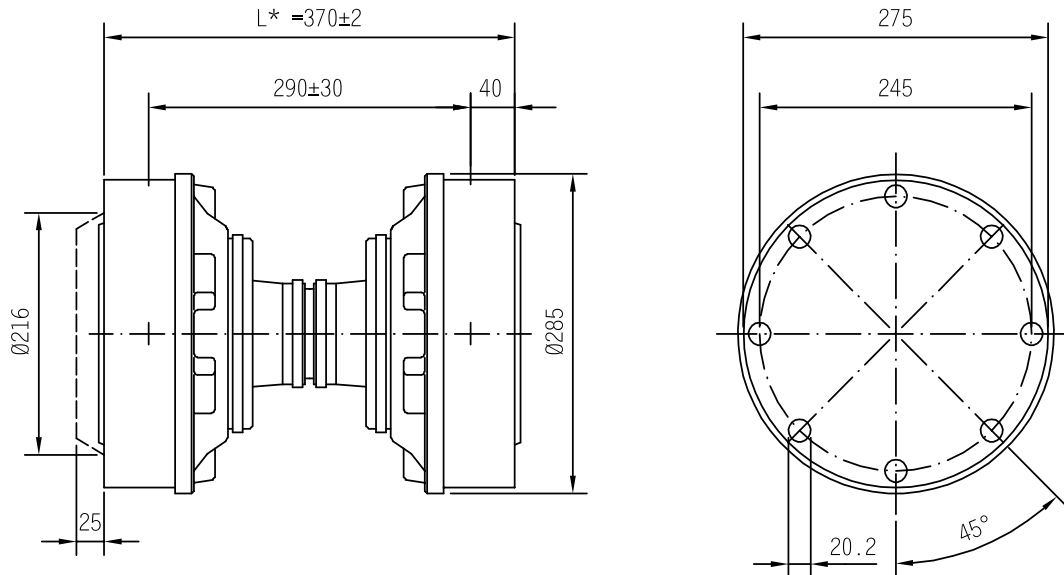
Note! Above max limits are subject to temperature restrictions and lifetime requirements.

CV-axel / CV shaft

CV 60

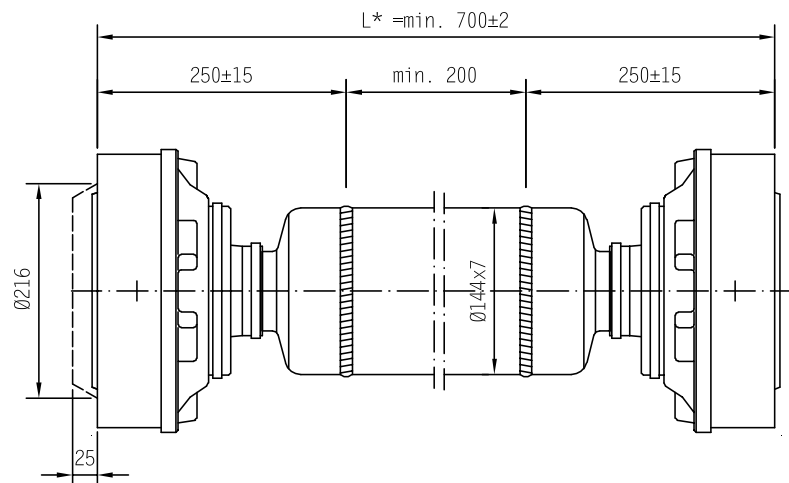
Part no/ Art nr: 6070100

Standard length / Standard längd



Part no/ Art nr: 6070108

Custom length / Anpassad längd



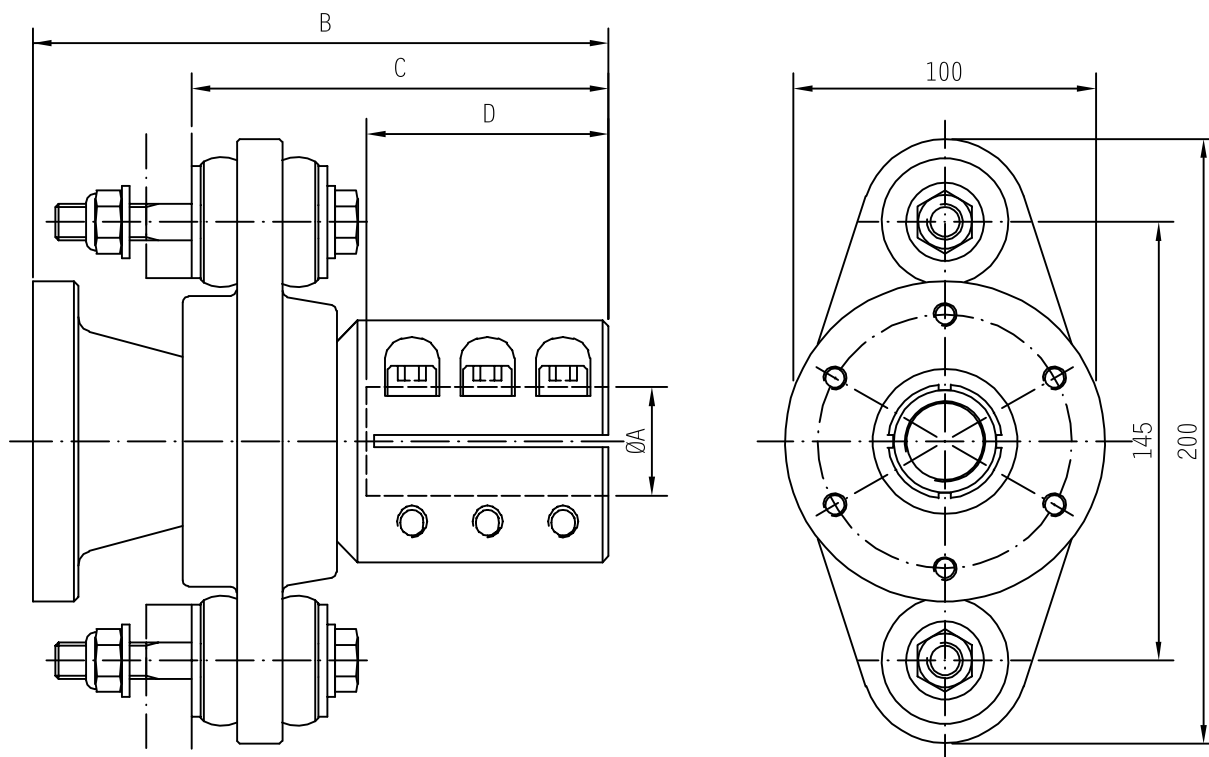
! The joints are not equipped with end caps./ Knutarna är ej försedda med lock.

Part no/ Art nr:	6070100	6070108
Max static torque Max statiskt vridmoment	40 000 Nm 29 400 lbft	40 000 Nm 29 400 lbft
Max shaft revolutions/min Max axelvarvtal/min	Consult factory	Consult factory
Max angularity/joint Max avvinkling/knut	Consult factory	
Screw kit / Skruvsats: 16xM20x160 A4100		Part no / Art nr: 6036099
*Installation length / installations längd		** Axial plunge / Axiell rörlighet +30 / -30 mm

Note! Above max limits are subject to temperature restrictions and lifetime requirements.

Classic

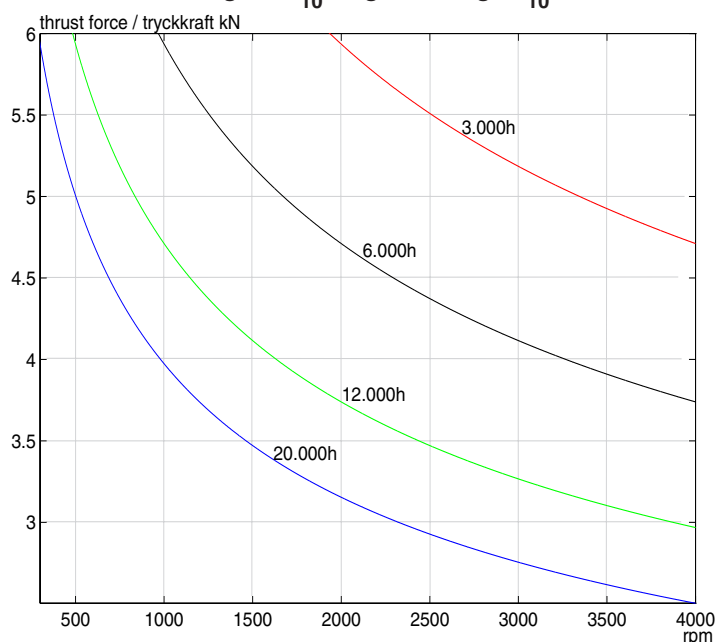
20100 A



Art nr / Part no.	Ø A=	B=	C=	D=
6039004A	25mm	181	115	65
6039005A	1"	181	115	65
6039007A	30mm	181	115	65
6039008A	1¼"	181	115	65
6039009A	32 mm	181	115	65
6039011A	35 mm	204	138	80
6039012A	1½"	204	138	80
6039013A	40 mm	204	138	80
6039014A	1¾"	228	162	102
6039015A	45mm	228	162	102

Max static torque (yield point)	1530 Nm
Max statiskt vridmoment (sträckgräns)	1130 lbft
Max propellershaft revolutions	5000 rpm
Max propelleraxelvarvtal	
Max recommended prop. thrust	6000 N
Max rekommenderad propellerkraft	1350 lbf

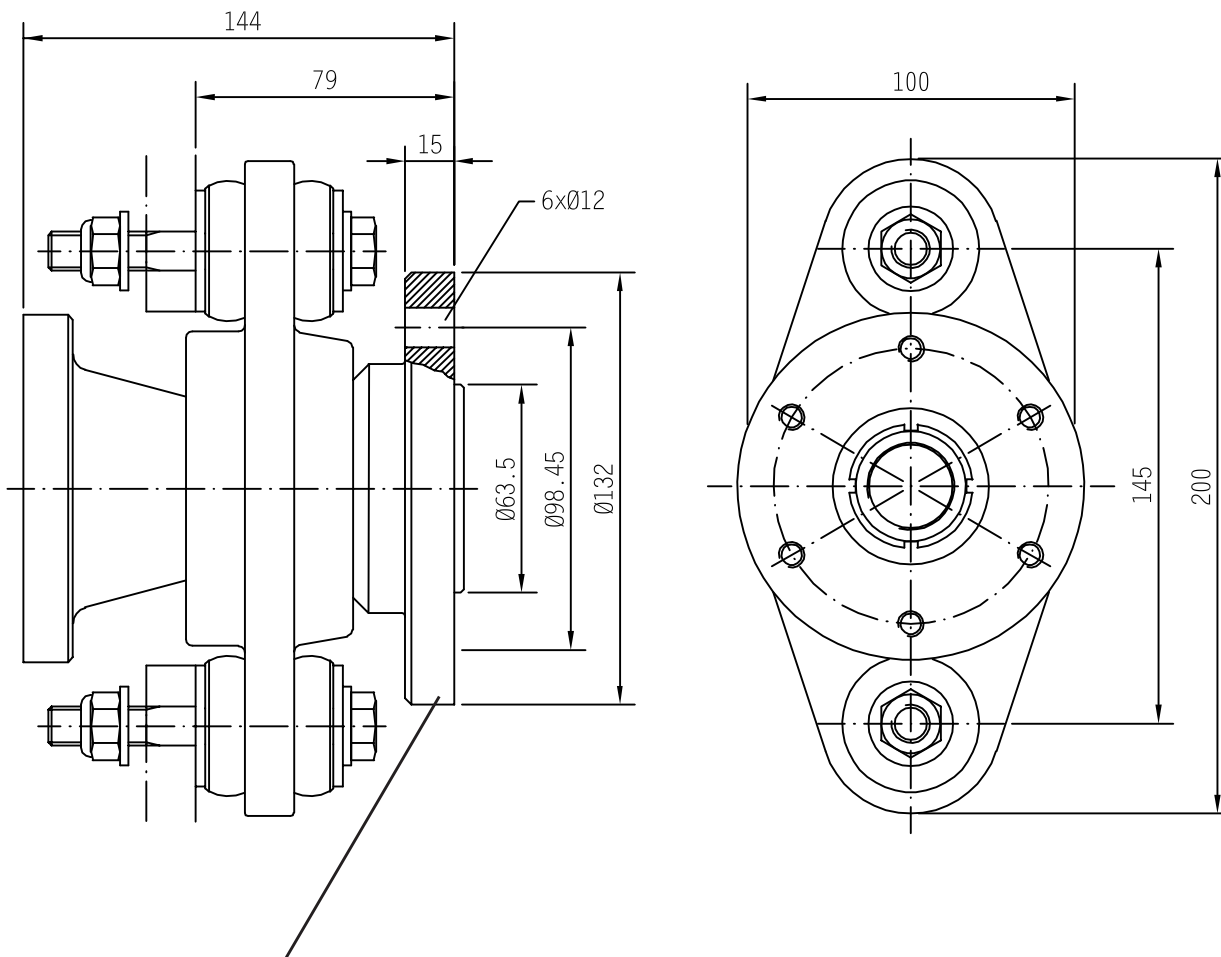
Bearing life L₁₀, Lagerlivslängd L₁₀



Classic

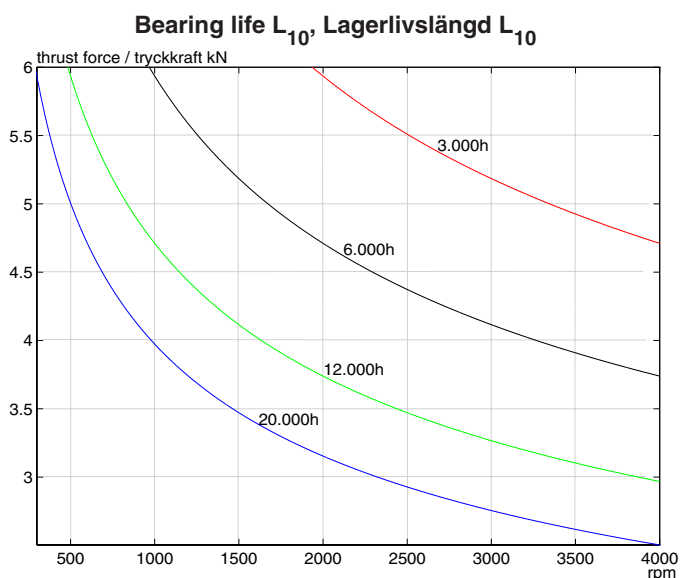
20100 A

Part no / Art nr : 6039017A



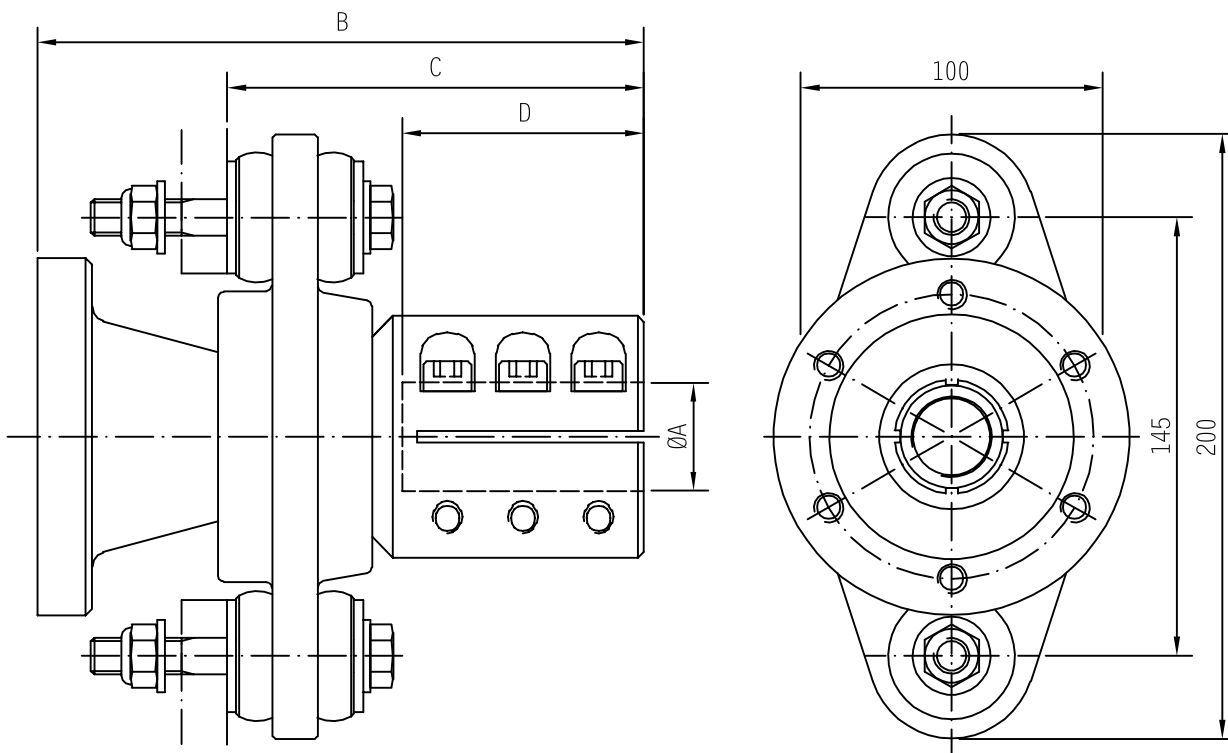
Suits Twin Disc std prop flange XB3431.
Passar Twin Disc std prop fläns XB3431.

Max static torque (yield point)	1530 Nm
Max statiskt vridmoment (sträckgräns)	1130 lbft
Max propellershaft revolutions	5000 rpm
Max propelleraxelvarvtal	
Max recommended prop. thrust	6000 N
Max rekommenderad propellerkraft	1350 lbf



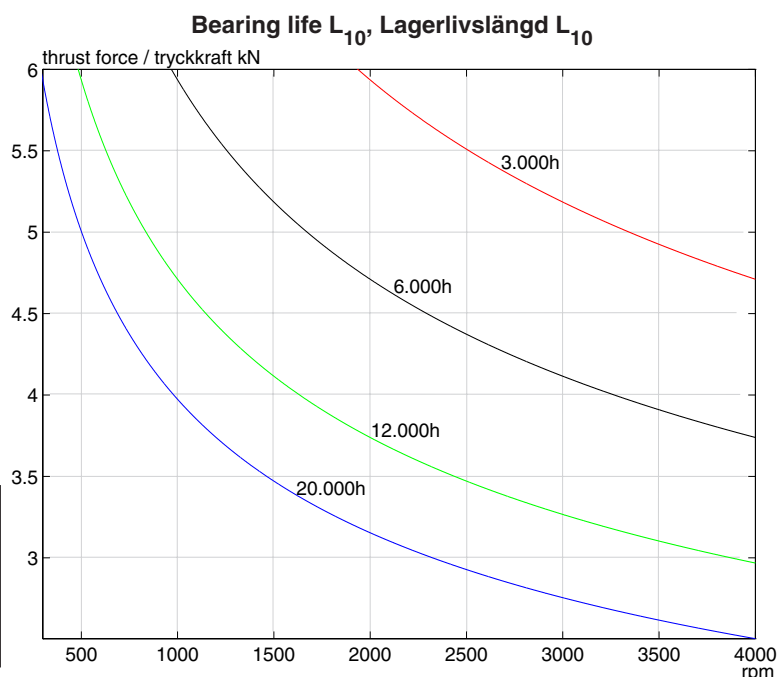
Classic

20200



Art nr / Part no.	Ø A=	B=	C=	D=
6039024	25mm	178	115	65
6039025	1"	178	115	65
6039027	30mm	178	115	65
6039028	1 1/4"	178	115	65
6039029	32 mm	178	115	65
6039031	35 mm	201	138	80
6039032	1 1/2"	201	138	80
6039033	40 mm	201	138	80
6039034	1 3/4"	225	162	102
6039035	45mm	225	162	102

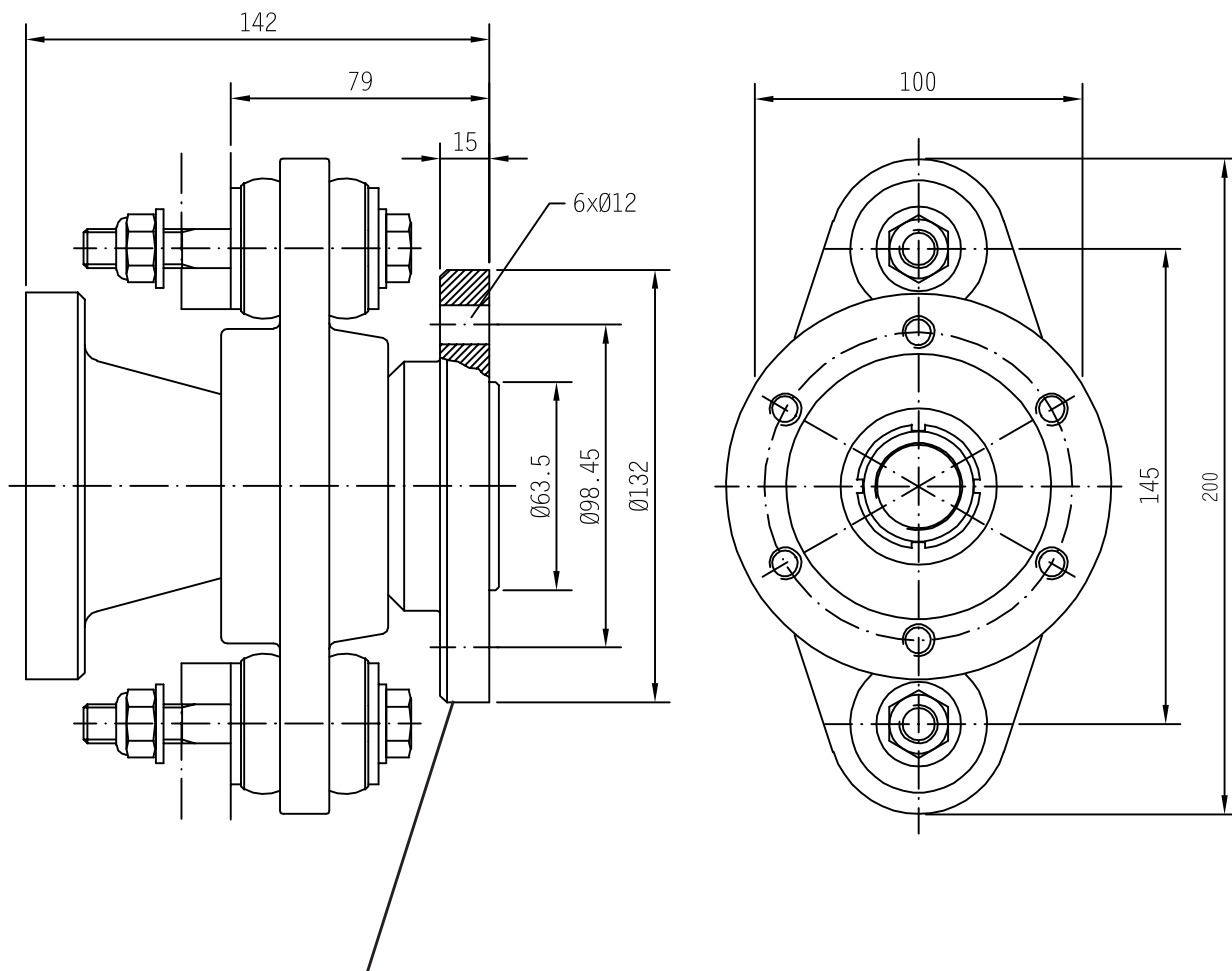
Max static torque (yield point)	1530 Nm
Max statiskt vridmoment (sträckgräns)	1130 lbf
Max propellershaft revolutions	5000 rpm
Max propelleraxelvarvtal	
Max recommended prop. thrust	6000N
Max rekommenderad propellerkraft	1350 lbf



Classic

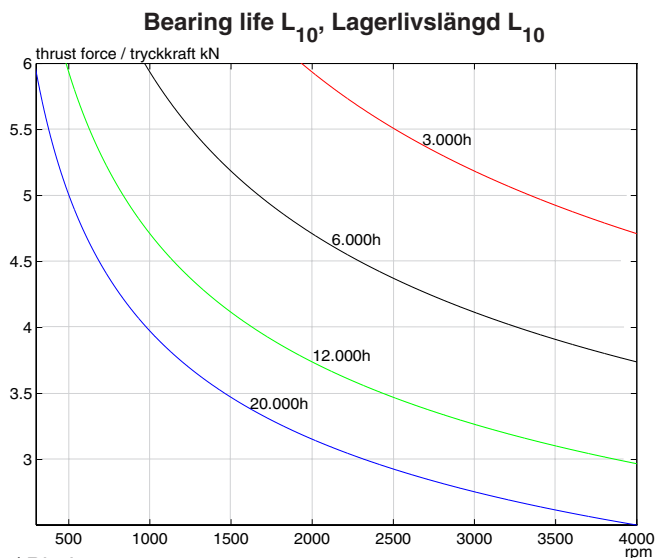
20200

Part no / Art nr : 6039038



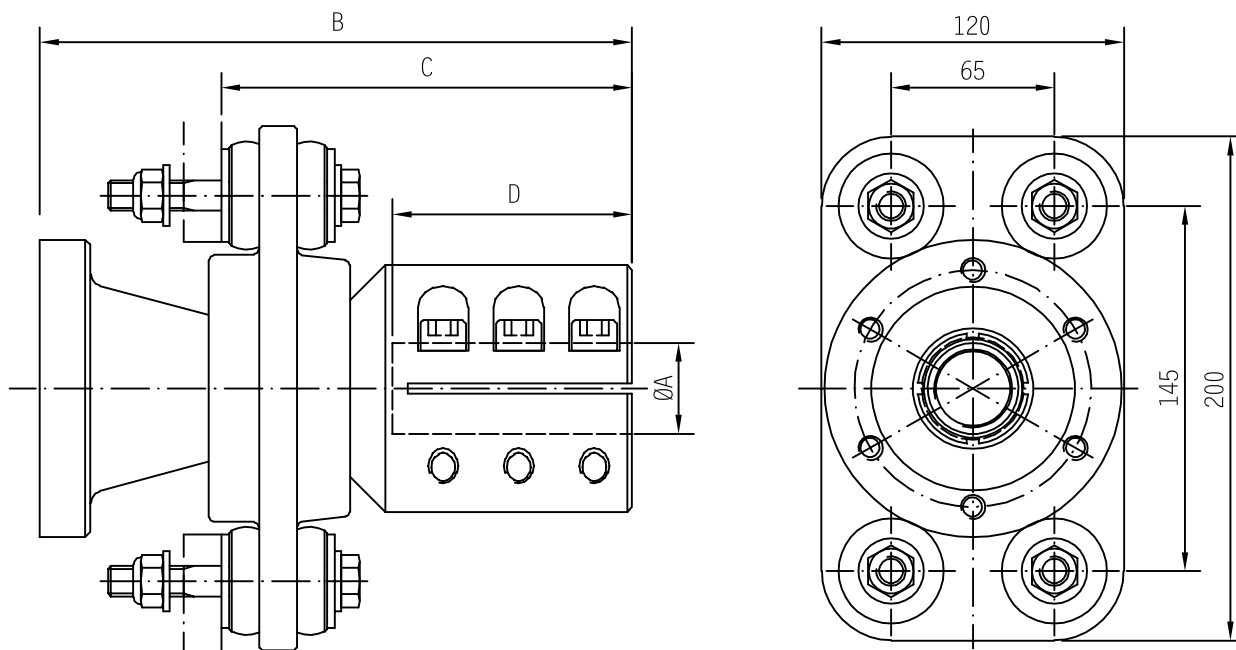
Suits Twin Disc std prop flange XB3431.
Passar Twin Disc std prop fläns XB3431.

Max static torque (yield point)	1530 Nm
Max statiskt vridmoment (sträckgräns)	1130 ftlb
Max propellershaft revolutions	5000 rpm
Max propelleraxelvarvtal	
Max recommended prop. thrust	6000 N
Max rekommenderad propellerkraft	1350 lbf



Classic

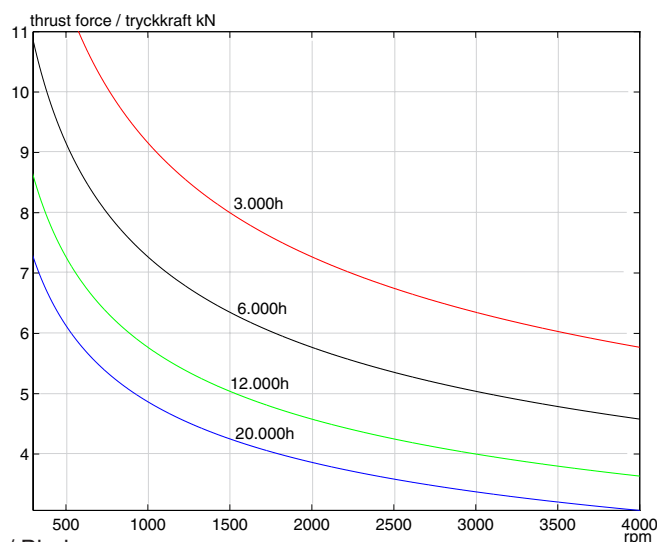
20280



Art nr / Part no.	Ø A=	B=	C=	D=
6039051	35mm	216	143	90
6039052	1½"	216	143	90
6039053	40mm	216	143	90
6039054	1¾"	234	161	100
6039055	45mm	234	161	100
6039056	50 mm	234	161	100
6039057	2"	234	161	100

Max static torque (yield point)	2175Nm
Max statiskt vridmoment (sträckgräns)	1610 lbft
Max propellershaft revolutions	5000 rpm
Max propelleraxelvarvtal	
Max recommended prop. thrust	11000 N
Max rekommenderad propellerkraft	2475 lbf

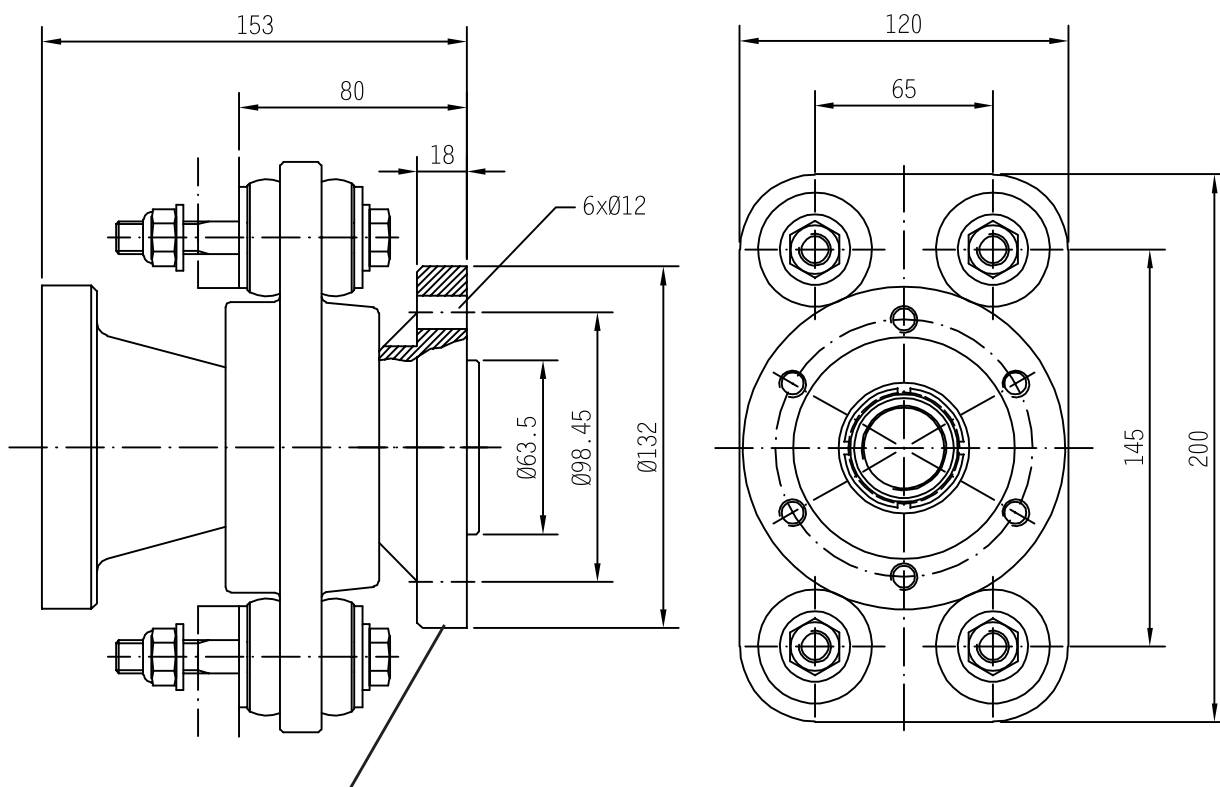
Bearing life L₁₀, Lagerlivslängd L₁₀



Classic

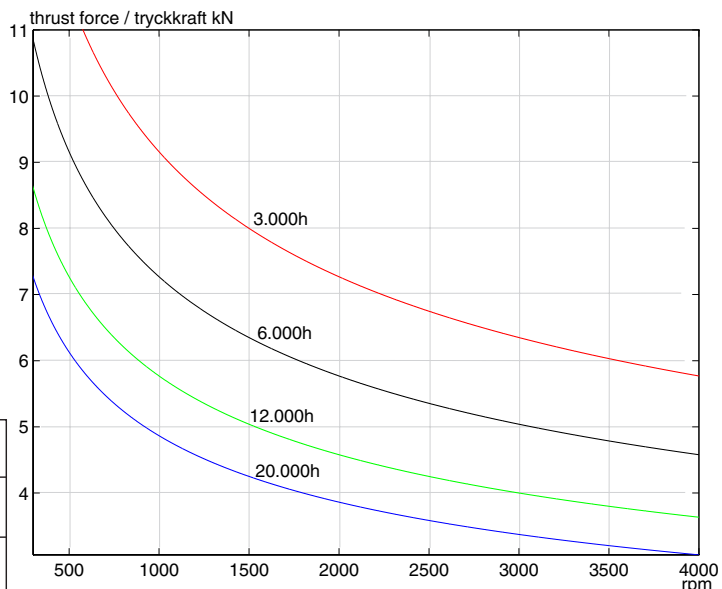
20280

Part no / Art nr : 6039063



Suits Twin Disc std prop flange XB3431.
Passar Twin Disc std prop fläns XB3431.

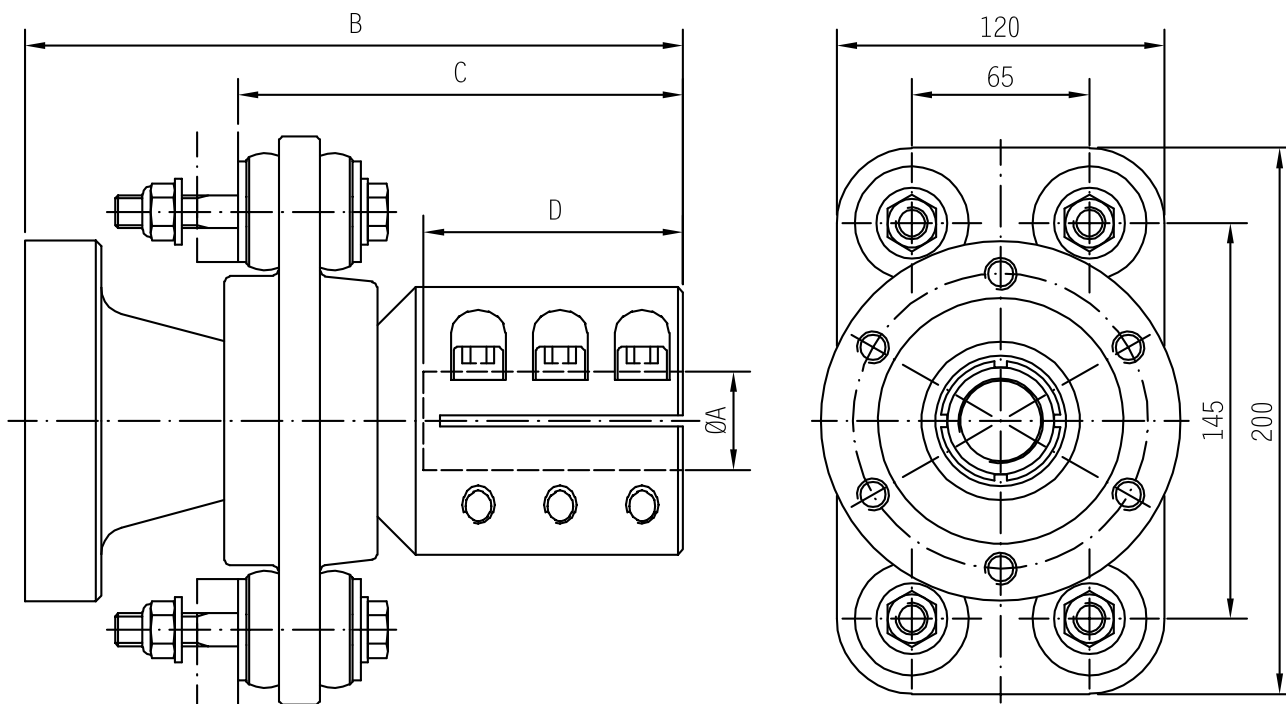
Bearing life L_{10} , Lagerlivslängd L_{10}



Max static torque (yield point)	2175 Nm
Max statiskt vridmoment (sträckgräns)	1610 lbft
Max propellershaft revolutions	5000 rpm
Max propelleraxelvarvtal	
Max recommended prop. thrust	11000 N
Max rekommenderad propellerkraft	2475 lbf

Classic

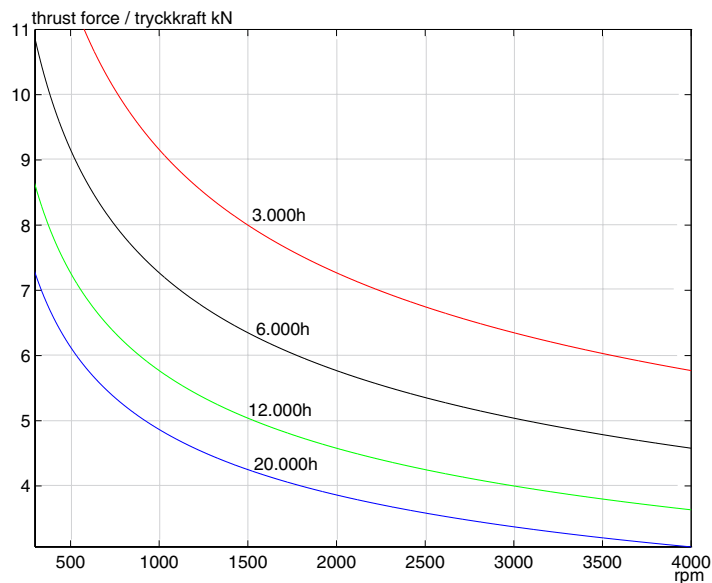
20300



Bearing life L₁₀, Lagerlivslängd L₁₀

Art nr / Part no.	Ø A=	B=	C=	D=
6039081	35mm	222	143	90
6039082	1½"	222	143	90
6039083	40 mm	222	143	90
6039084	1¾"	240	161	100
6039085	45mm	240	161	100
6039086	50mm	240	161	100
6039087	2"	240	161	100

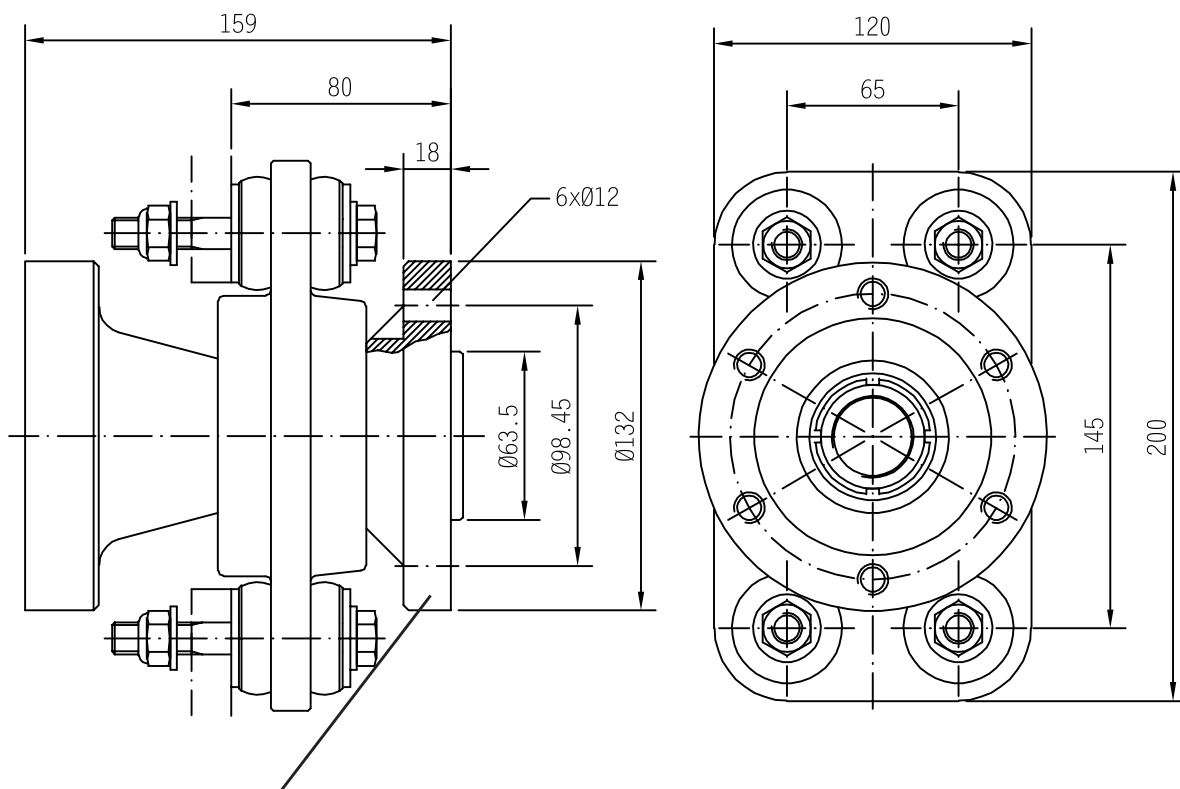
Max static torque (yield point)	2175 Nm
Max statiskt vridmoment (sträckgräns)	1610 lbf
Max propellershaft revolutions	5000 rpm
Max propelleraxelvarvtal	
Max recommended prop. thrust	11000 N
Max rekommenderad propellerkraft	2475 lbf



Classic

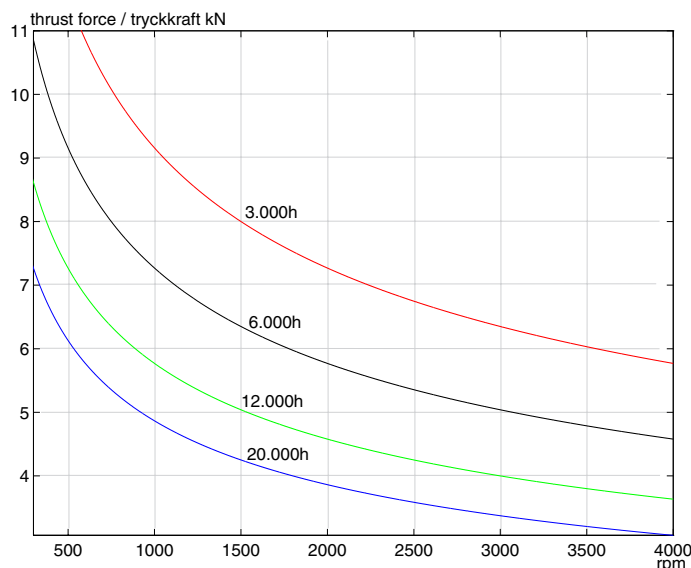
20300

Part no / Art nr : 6039093



Suits Twin Disc std prop flange XB3431.
Passar Twin Disc std prop fläns XB3431.

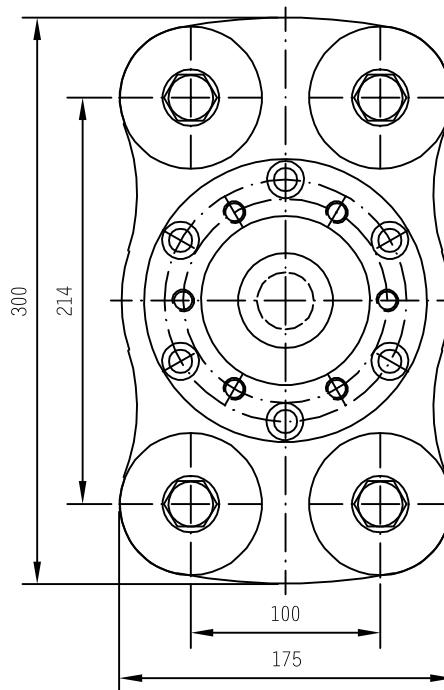
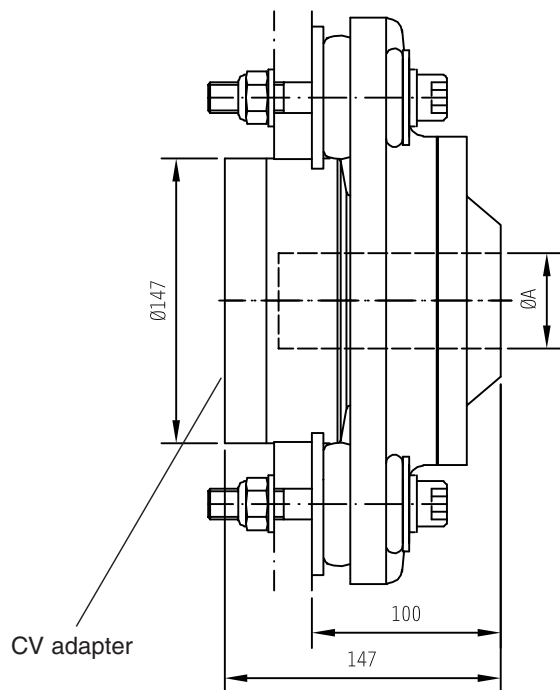
Bearing life L_{10} , Lagerlivslängd L_{10}



Max static torque (yield point)	2175 Nm
Max statiskt vridmoment (sträckgräns)	1610 lbft
Max propellershaft revolutions	5000 rpm
Max propelleraxelvarvtal	
Max recommended prop. thrust	11000 N
Max rekommenderad propellerkraft	2475 lbf

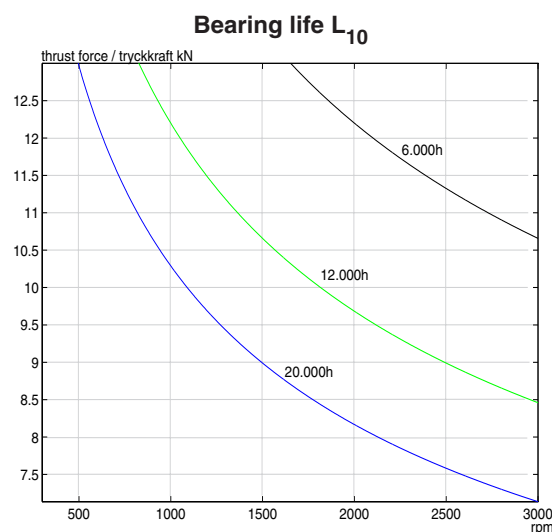
ModuLine

B20



Part/Artikel	Part no./ Artikel nr
Basenhet Base unit B20	6120000

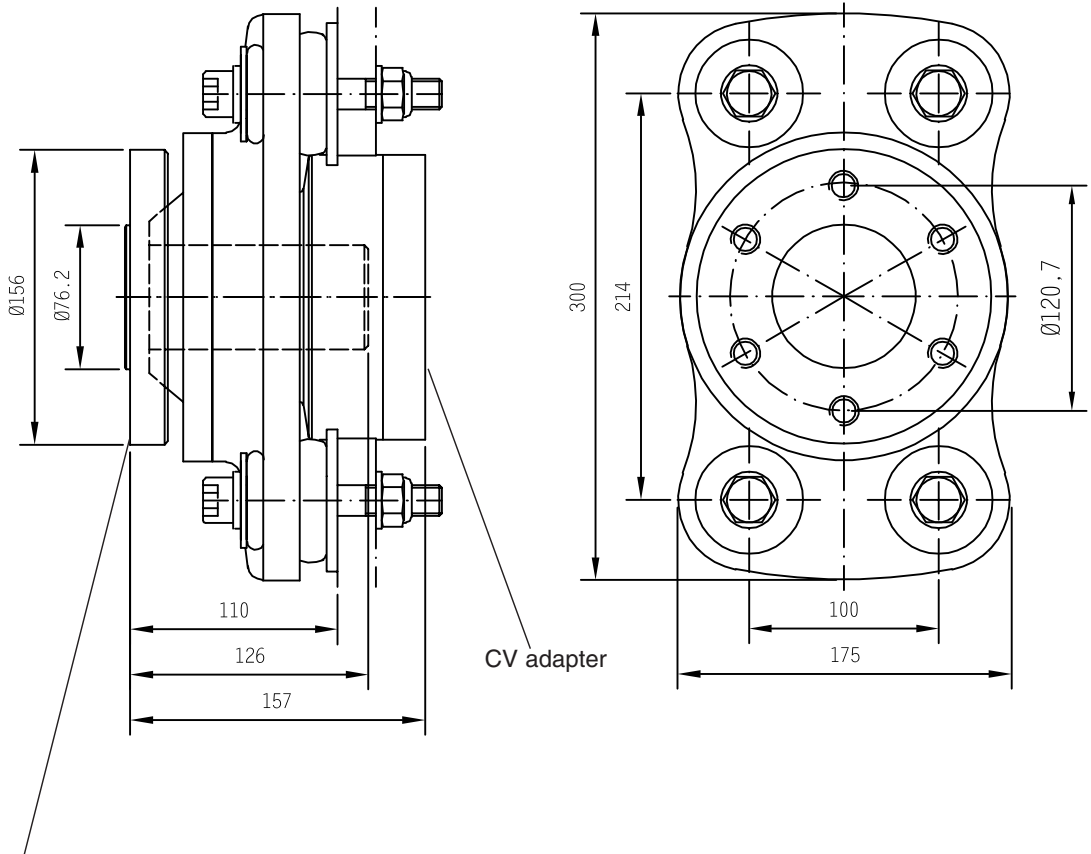
ØA=	Complete unit adapted for CV 21/ Komplett enhet för CV 21	Complete unit adapted for CV 30/ Komplett enhet för CV 30
35 mm	6120510	6120610
1½"	6120511	6120611
40 mm	6120512	6120612
1¾"	6120513	6120613
45mm	6120514	6120614
50mm	6120516	6120616
2"	6120517	6120617



Max continuous torque	1400 Nm
Max kontinuerligt vridmoment	1034 lbft
Max cont. propellershaft revolutions	2000 rpm
Max kont. propelleraxelvarvtal	
Max continuous prop. thrust	14 kN
Max kontinuerlig propellerkraft	3150 lbf

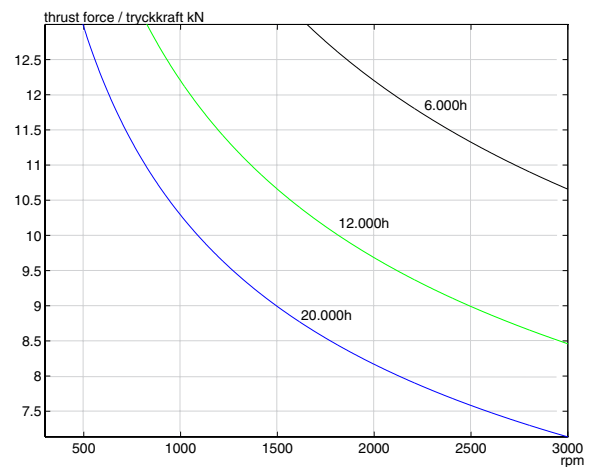
ModuLine

B20 Flanged



Suits Twin Disc prop-flange Px8775A.
Passar Twin Disc prop-flange Px8775A.

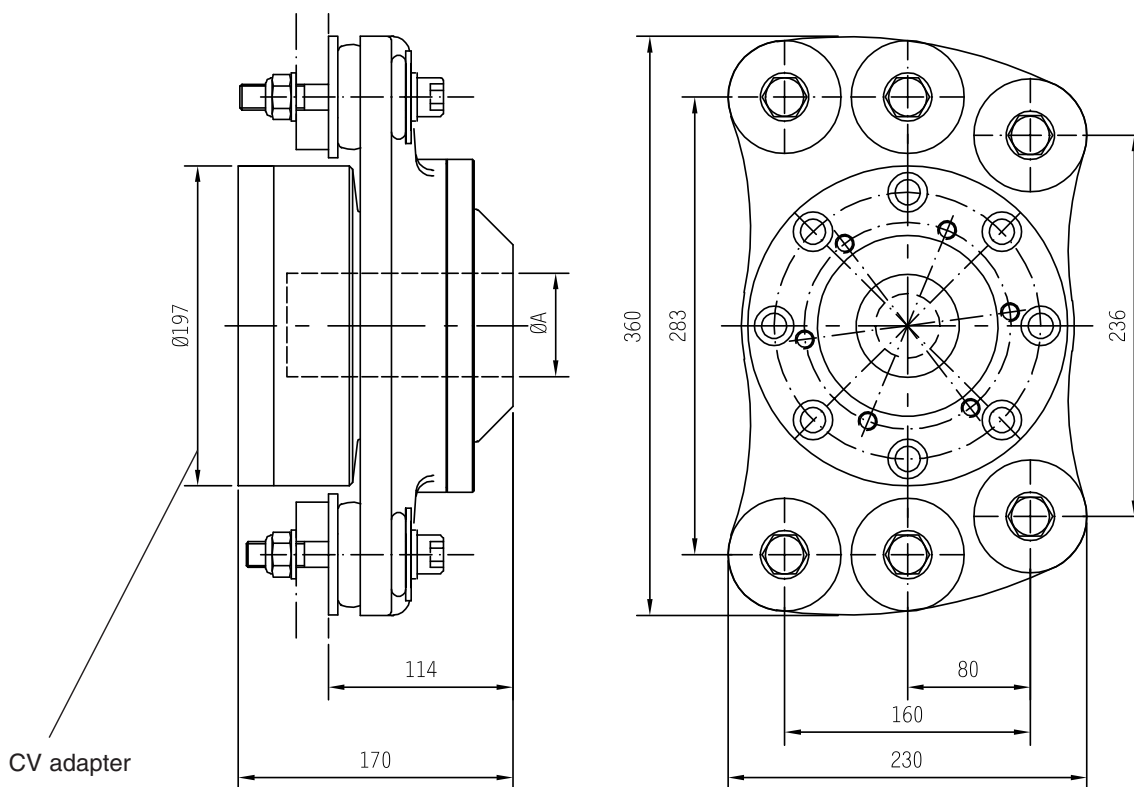
Part / Artikel /	Part no. / Artikel nr /
Base unit B20 Basenhet B20	6120000
Flange kit / Flänssats/	6123029
Complete unit adapted for CV 21/ Komplett enhet för CV 21	6120530
Complete unit adapted for CV 30 / Komplett enhet för CV 30	6120630



Max continous torque	1600 Nm
Max kontinuerligt vridmoment	1182 lbft
Max cont. propellershaft revolutions	2000 rpm
Max kont. propelleraxelvarvtal	
Max continous prop. thrust	14 kN
Max kontinuerlig propellerkraft	3150 lbf

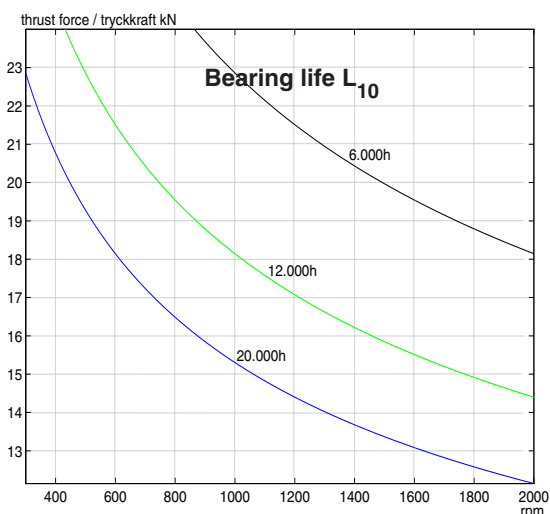
ModuLine

B 30



Part / Artikel	Part no/ Artikel nr.
Base unit B30/ Basenhet B30	6130000

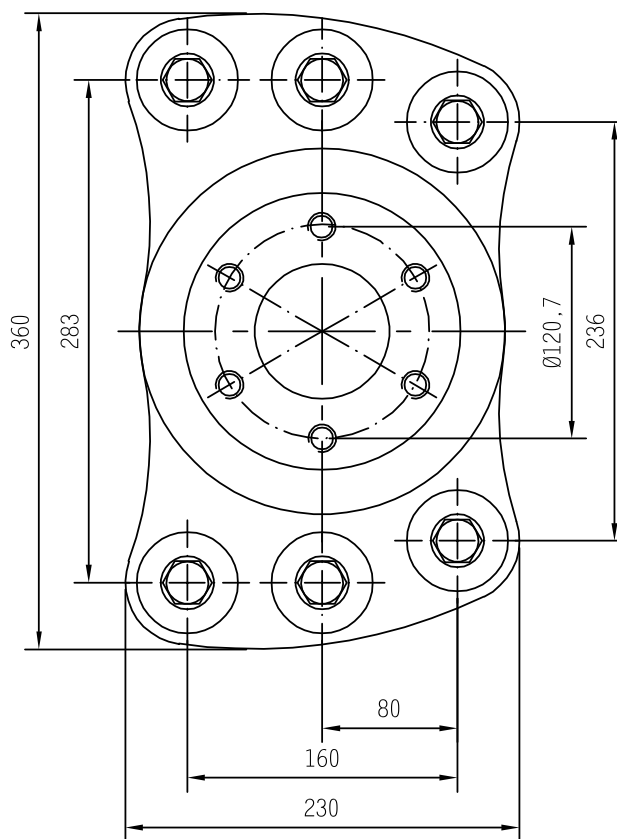
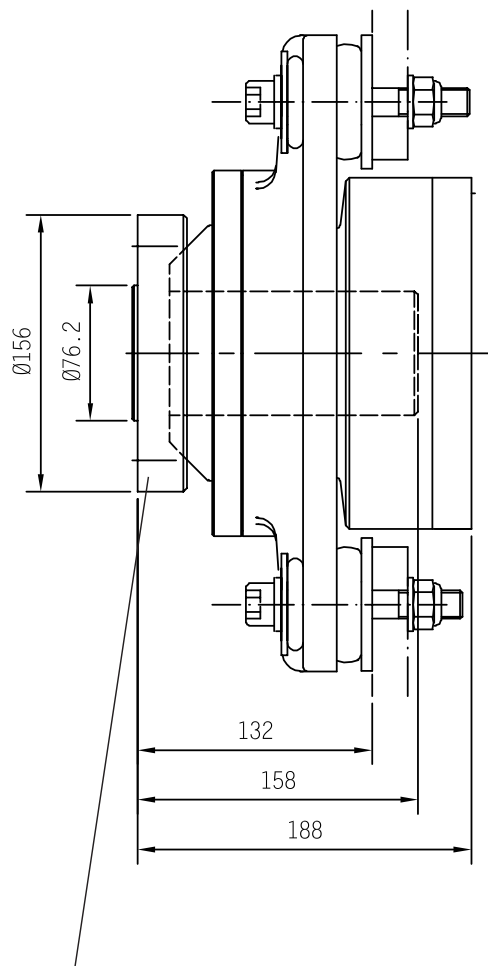
ØA=	Complete unit adapted for CV 30/ Komplett enhet för CV 30	Complete unit adapted for CV 32/ Komplett enhet för CV 32	Complete unit adapted for CV 42 Komplett enhet för CV 42 /
40 mm	6130612	6130712A	6130812A
1¾"	6130613	6130713A	6130813A
45mm	6130614	6130714A	6130814A
50mm	6130616	6130716A	6130816A
2"	6130617	6130717A	6130817A
2¼"	6130619	6130719A	6130819A
60 mm	6130620	6130720A	6130820A
2½"	6130622	6130722A	6130822A
65 mm	6130623	6130723A	6130823A
70 mm	6130624	6130724A	6130824A



Max continous torque	3000 Nm
Max kontinuerligt vridmoment	2215 lbf
Max cont. propellershaft revolutions	1700 rpm
Max kont. propelleraxelvarvtal	
Max continous prop. thrust	21 kN
Max kontinuerlig propellerkraft	4725 lbf

ModuLine

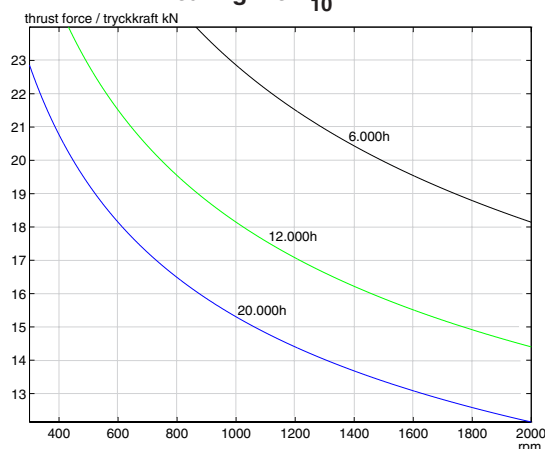
B30 Flanged



Suits Tvin Disc prop-flange Px8775A.
Passar Tvin Disc prop-flange Px8775A.

Artikel / Part	Artikel nr / Part no.
Basenhet B30 Base unit B30	6130000
Flänssats / Flange kit	6133029
Komplett enhet för CV 30 / Complete unit adapted for CV 30	6130630
Komplett enhet för CV 32/ Complete unit adapted for CV 32	6130730A
Komplett enhet m. adaptersats f. CV 42 / Complete unit incl. adapter kit for CV 42	6130830A

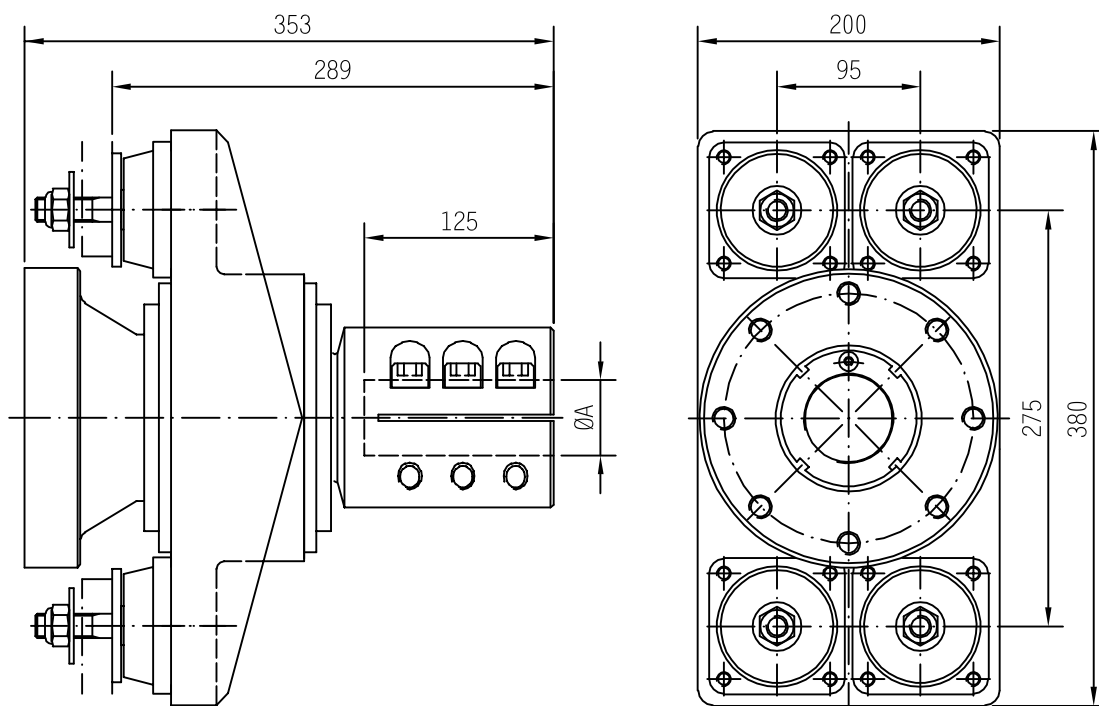
Bearing life L₁₀



Max continous torque	3500 Nm
Max kontinuerligt vridmoment	2583 lbft
Max cont. propellershaft revolutions	1700 rpm
Max kont. propelleraxelvarvtal	
Max continous prop. thrust	21 kN
Max kontinuerlig propellerkraft	4725 lbf

Heavy Duty Line

HDL680

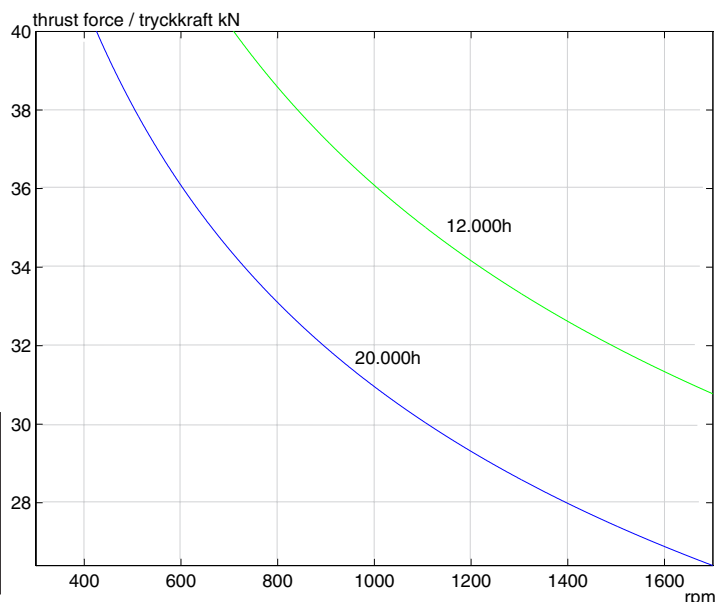


Suits driveshaft CV42 with end cap.
Passar drivaxel CV42 med lock.

Art nr / Part no.	Ø A=
6039205A	50 mm
6039207A	2"
6039208A	2¼"
6039209A	60 mm
6039210A	2½"
6039211A	65 mm
6039212A	70 mm

Max static torque (yield point)	12240 Nm
Max statiskt vridmoment (sträckgräns)	9060 lbft
Max propellershaft revolutions	1700 rpm
Max propelleraxelvarvtal	
Max recommended prop. thrust	40000 N
Max rekommenderad propellerkraft	9000 lbf

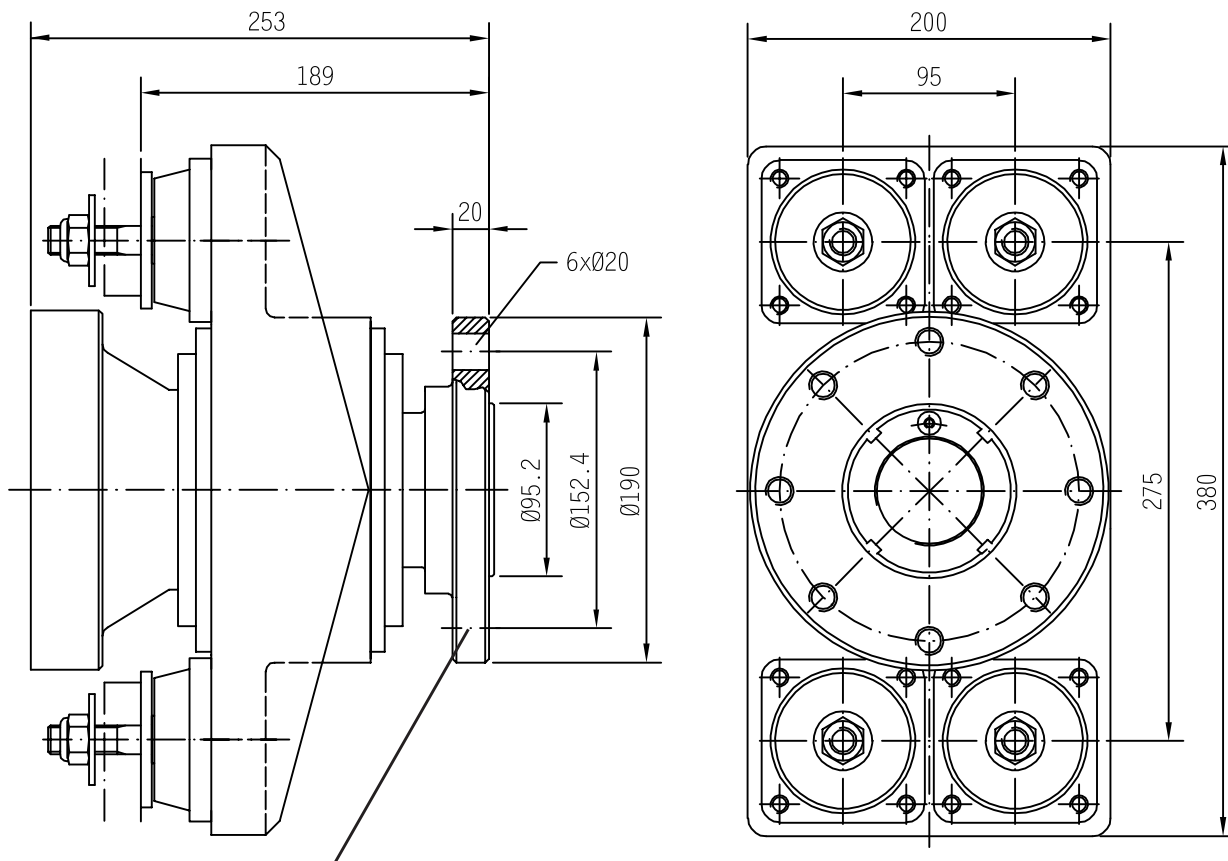
Bearing life L_{10} , Lagerlivslängd L_{10}



Heavy Duty Line

HDL680

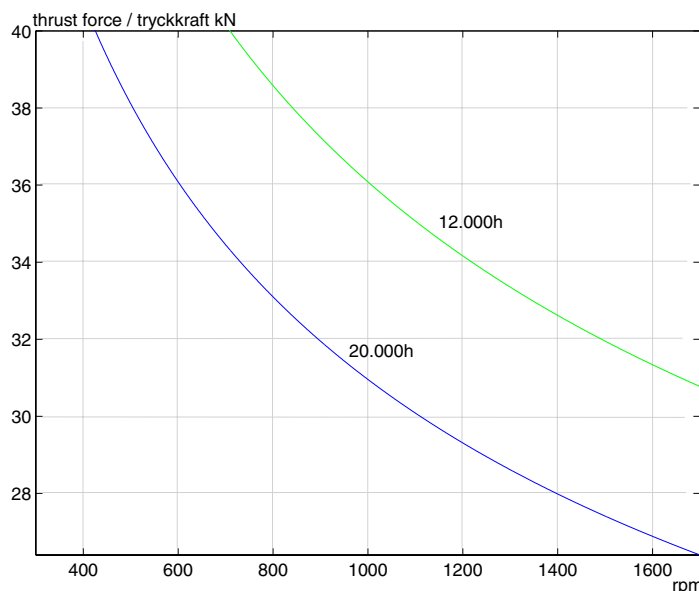
Part no / Art nr: 6039220A



Suits Twin Disc std prop flange PX 9153
Passar Twin Disc std prop flange PX 9153

Suits driveshaft CV42 with end cap.
Passar drivaxel CV42 med lock.

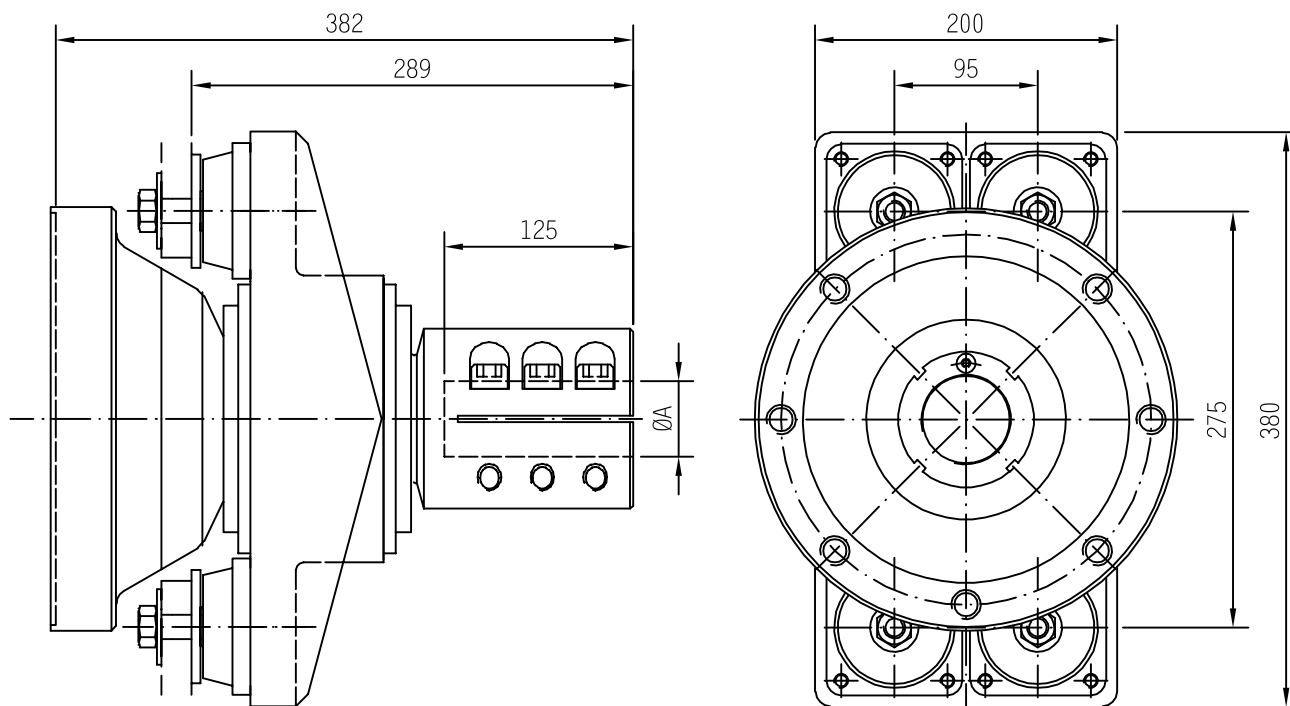
Bearing life L_{10} , Lagerlivslängd L_{10}



Max static torque (yield point)	12240 Nm
Max statiskt vridmoment (sträckgräns)	9060 lbft
Max propellershaft revolutions	1700 rpm
Max propelleraxelvarvtal	
Max recommended prop. thrust	40000 N
Max rekommenderad propellerkraft	9000 lbf

Heavy Duty Line

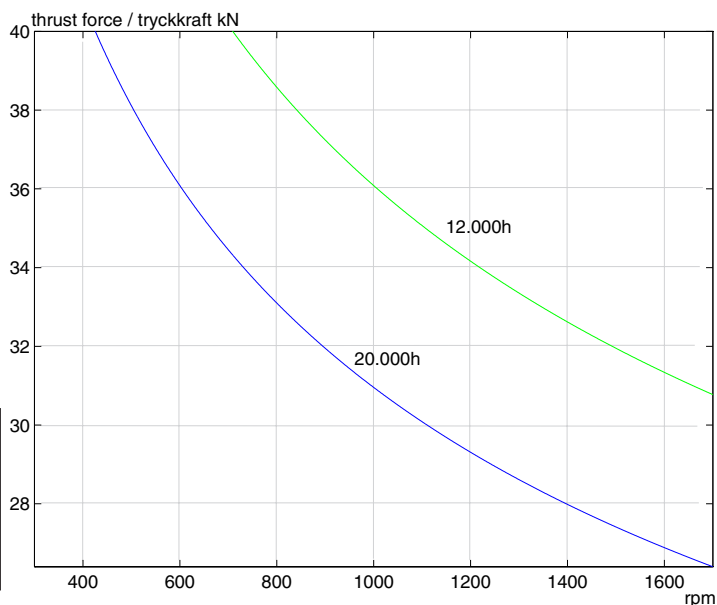
HDL700



Art nr / Part no.	Ø A=
6039305	50 mm
6039307	2"
6039308	2¼"
6039309	60 mm
6039310	2½"
6039311	65 mm
6039312	70 mm

Max static torque (yield point) Max statiskt vridmoment (sträckgräns)	12240 Nm 9066 lbft
Max propellershaft revolutions Max propelleraxelvarvtal	1700 rpm
Max recommended prop. thrust Max rekommenderad propellerkraft	40000 N 9000 lbf

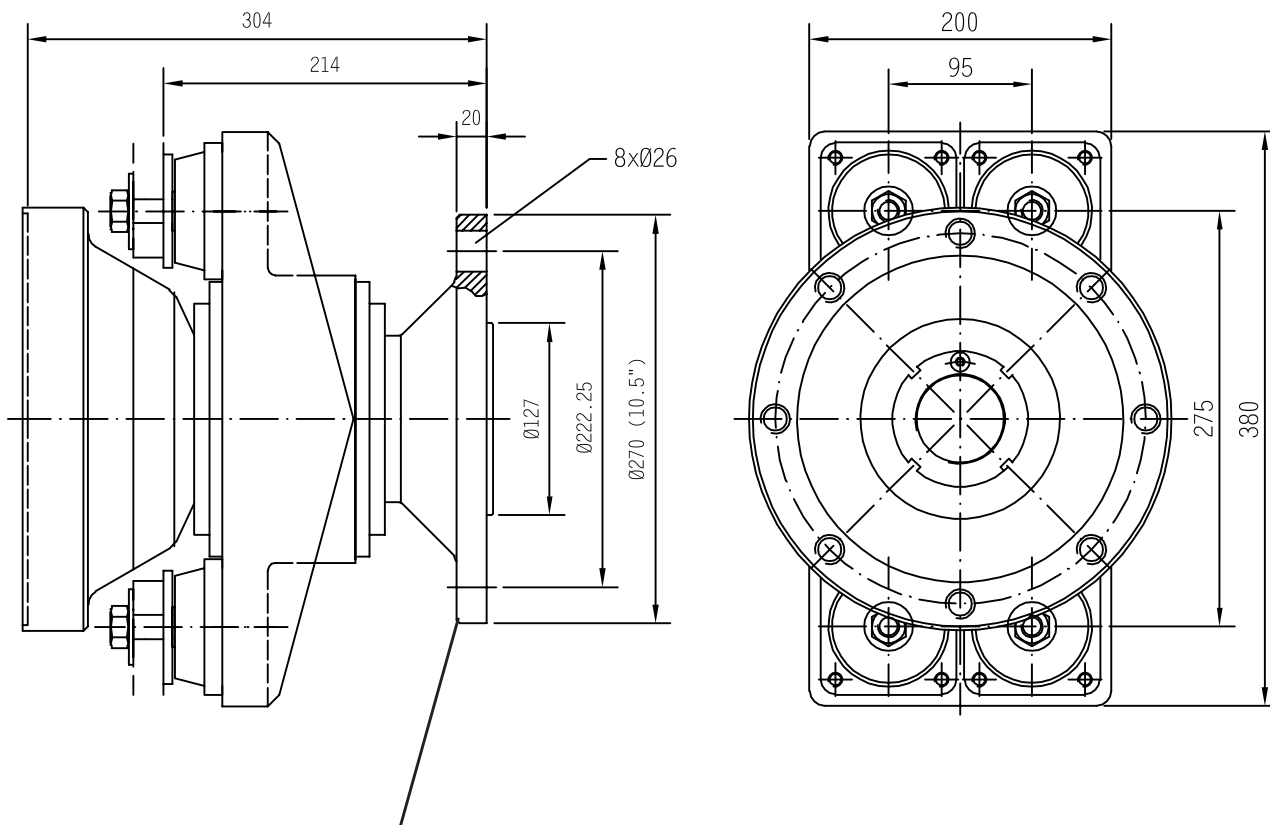
Bearing life L_{10} , Lagerlivslängd L_{10}



Heavy Duty Line

HDL700HT

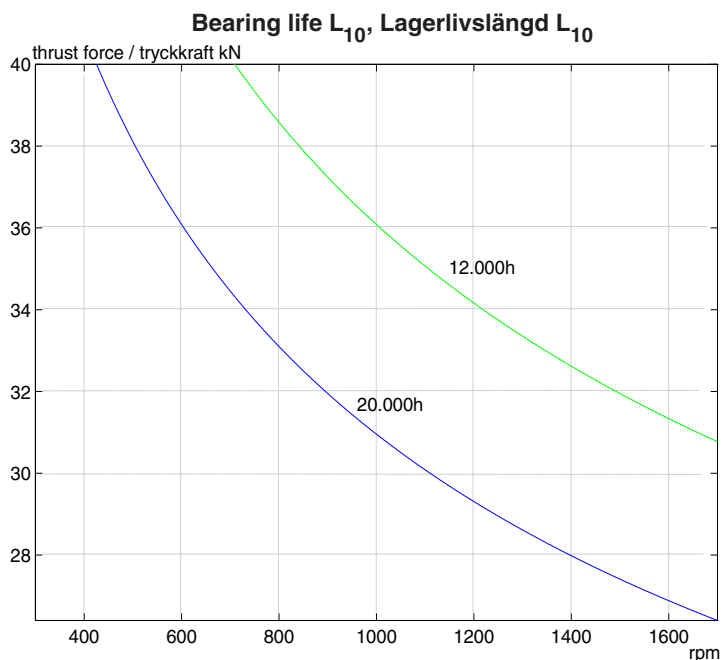
Part no / Art nr: 6039322 (Replaces 6039320 / Ersätter 6039320)



Suits Twin Disc std prop flange XA6988B
Passar Twin Disc std prop flange XA6988B

Utförande i seghärdat höghållfast stål.
Executed in tempered (high tensile) steel.

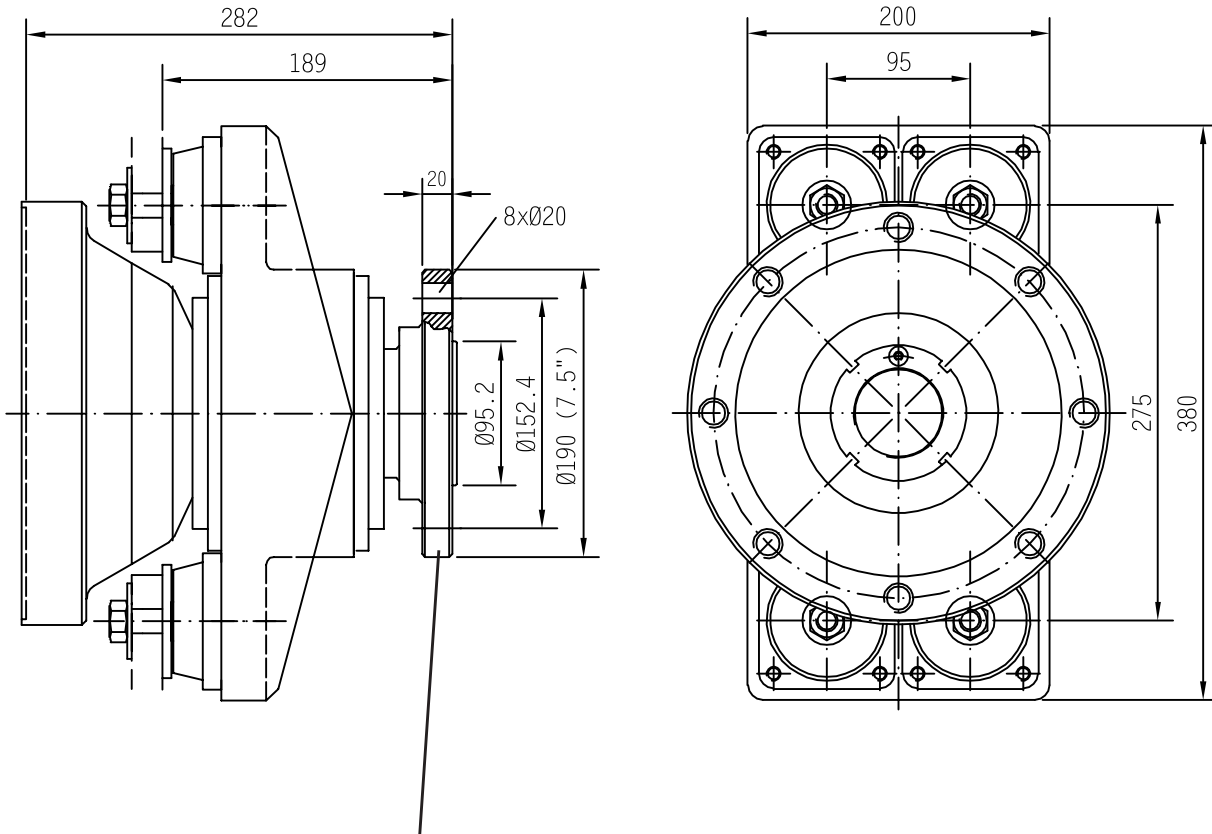
Max static torque (yield point)	22000 Nm
Max statiskt vridmoment (sträckgräns)	16280 lbft
Max propellershaft revolutions	1700 rpm
Max propelleraxelvarvtal	
Max recommended prop. thrust	40000 N
Max rekommenderad propellerkraft	9000 lbf



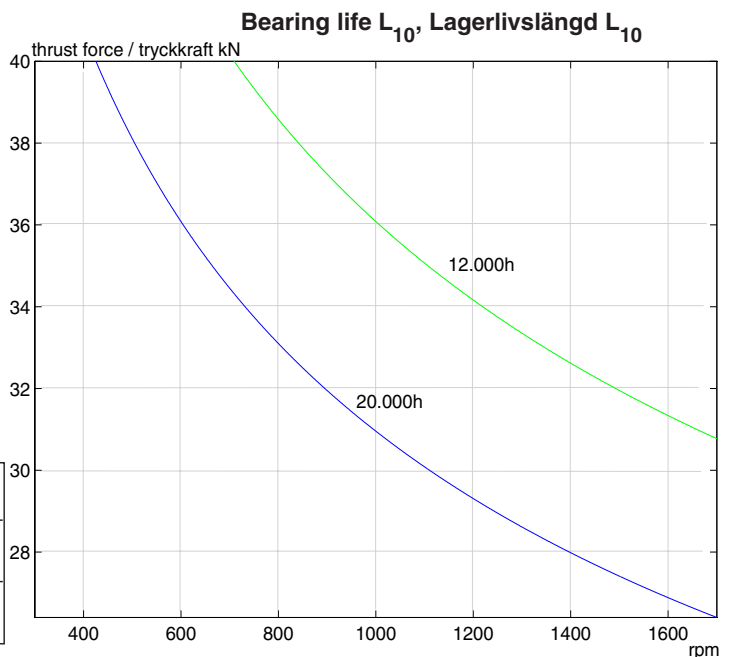
Heavy Duty Line

HDL700

Part no / Art nr: 6039319



Suits Twin Disc std prop flange PX9153
Passar Twin Disc std prop flange PX9153

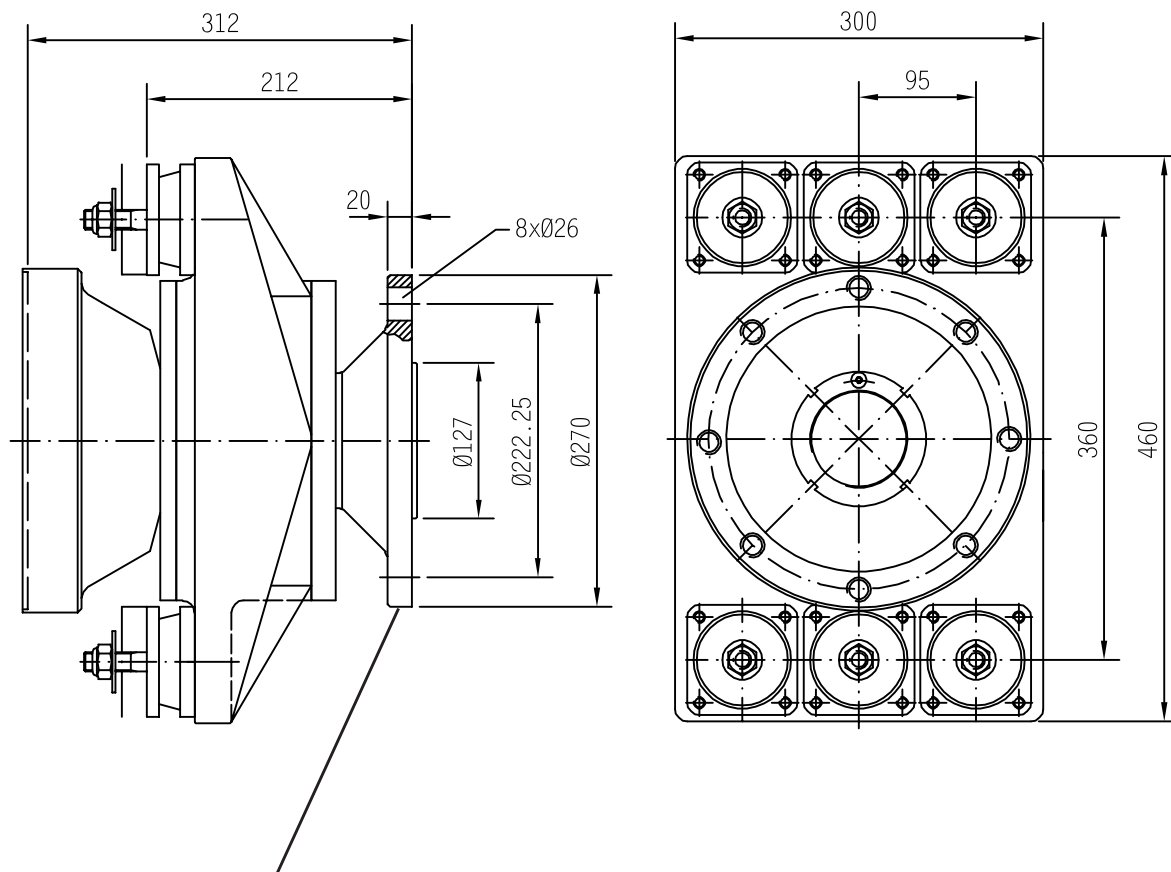


Max static torque (yield point)	12620 Nm
Max statiskt vridmoment (sträckgräns)	9340 lbft
Max propellershaft revolutions	1700 rpm
Max propelleraxelvarvtal	
Max recommended prop. thrust	40000 N
Max rekommenderad propellerkraft	9000 lbf

Heavy Duty Line

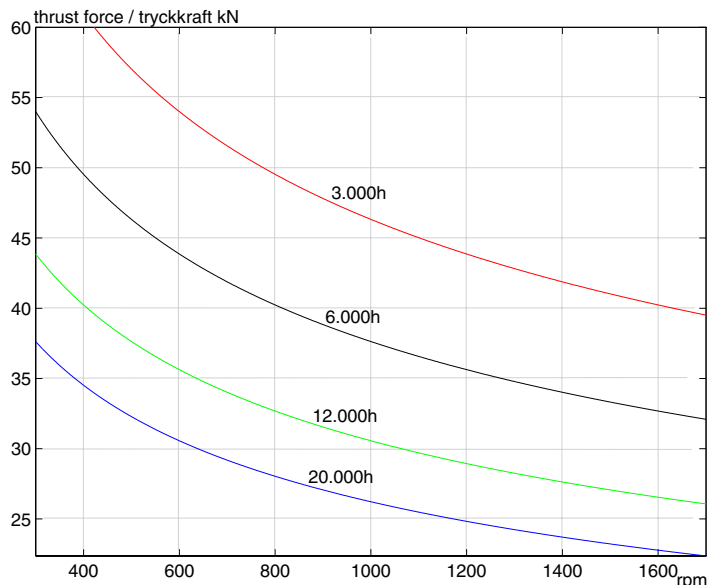
HDL780

Part no / Art nr: 6039519



Suits Twin Disc std prop flange XA6988B
Passar Twin Disc std prop flange XA6988B

Bearing life L_{10} , Lagerlivslängd L_{10}



Max static torque (yield point)	26900 Nm
Max statiskt vridmoment (sträckgräns)	19900 lbft
Max propellershaft revolutions	1400 rpm
Max propelleraxelvarvtal	
Max recommended prop. thrust	60000 N
Max rekommenderad propellerkraft	13500 lbf

**CVT UNITS
OVERVIEW**

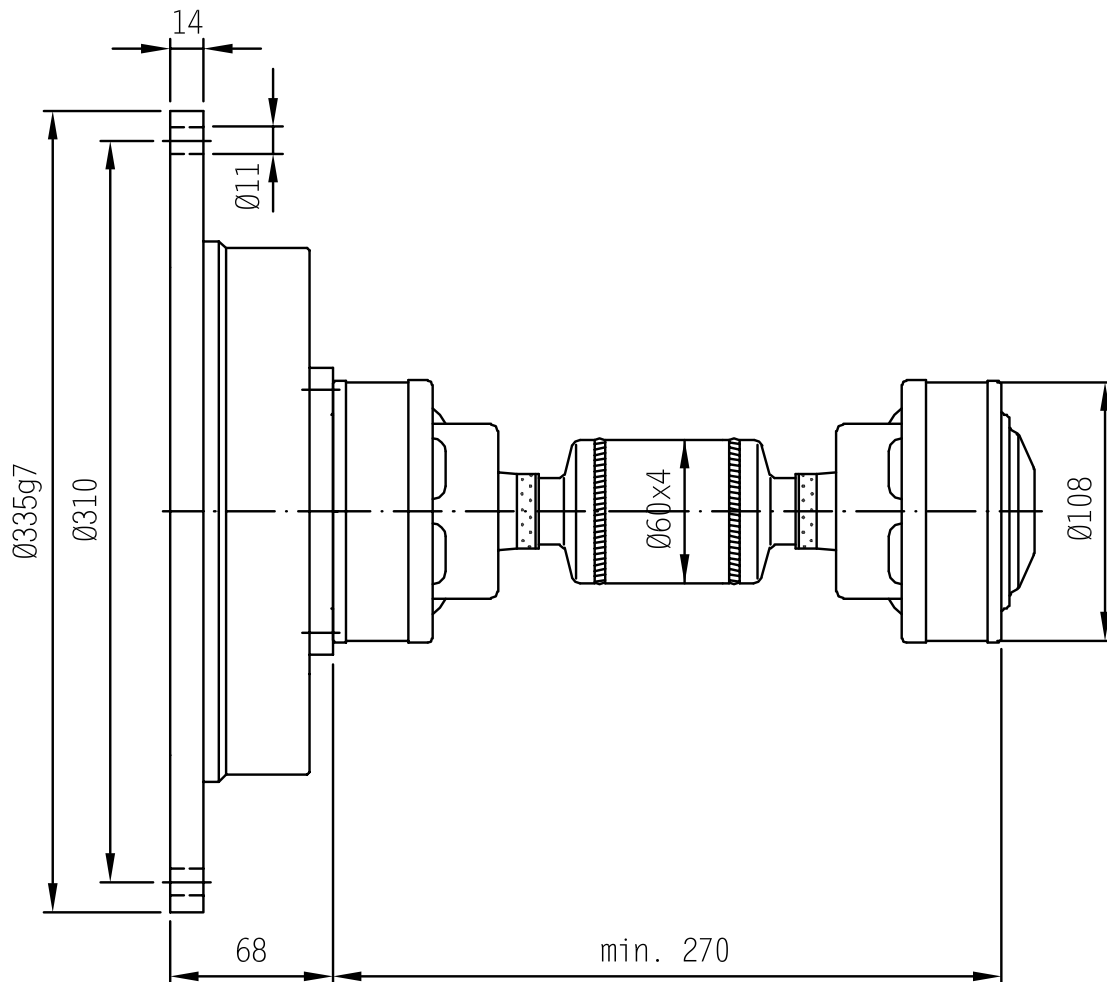
ENGINE	type typ	Flywheel/ Svänghjul	Description / Benämning	Part no/ Art nr
Catepillar	3408	SAE 14"	CVT 42.25	6356008
	3116	SAE 11,5"	CVT 30.35	6356016
	3406	SAE 14"	CVT 60.55	6536329
	3412	SAE 14"	CVT 60.60	6356330*
	3176E	SAE 14"	CVT 42.50	6356332
Cummins	6 CTA 8,3M	SAE 11,5"	CVT 42.40	6356011
	450 C	SAE 14"	CVT 42.40	6356333
Volvo Penta	TAMD 31		CVT 21.20 HS	6356320
	TAMD 41		CVT 21.20 HS	6356320
	TAMD 42		CVT 21.20 HS	6356320
	TAMD 61A	SEA 11,5"	CVT 32.40	6356328
	TAMD 63L	SEA 11,5"	CVT 32.35	6356327
	TAMD 71	SEA 11,5	CVT 30.40	6356001
	TAMD 72	SEA 11,5"	CVT 42.40	6356011
	TAMD 122A	SEA 14"	CVT 42.45	6356008
	TAMD 122P	SEA 14"	CVT 42.50	6356332
	KAD 44		CVT 21.20 HS	6356320
	KAD 162A	SEA 14"	CVT 60.55	6356329
	KAD 162C	SEA 14"	CVT 60.55	6536329
	KAD 163P	SEA 14"	CVT 60.55	6536329
Yanmar	6 LY2-STE	SEA 11,5"	CVT 30.40	6356001
	6 LP		CVT 21.15 DEHS	6356326
	4 LH-STE		CVT 21.30	6536325
	4 LH-DTE		CVT 15.20HS	6536331
	6LY-UTE/STE	SEA 11,5"	CVT30.35	6356017
Scania	DI 9	SAE 14"	CVT 42.45	6356008
	DSI 14	SAE 14"	CVT 60.55	6356329
	DSI 14	SAE 14"	CVT 42.50	6356332

Note: The above information is intended as a guideline service within the aquadrive® distributor network, but not for end-customer use. **Svenska Uni-Cardan AB** takes no responsibility for the correctness of above recommendations as flange details may change without prior notice. When in doubt, contact the engine supplier for up-to-date information.

OBS: Ovanstående information är endast avsedd för auktoriserade aquadrive®-distributörer, ej slutkunder. Svenska Uni-Cardan AB ansvarar ej för att angivna rekommendationer är korrekta. Anslutningsmått mm kan komma att ändras utan vår vetskap. I tveksamma fall kontakta motorleverantören för senaste uppdatering.

CVT 15.20 HS

Art nr. / Part no: 6356331



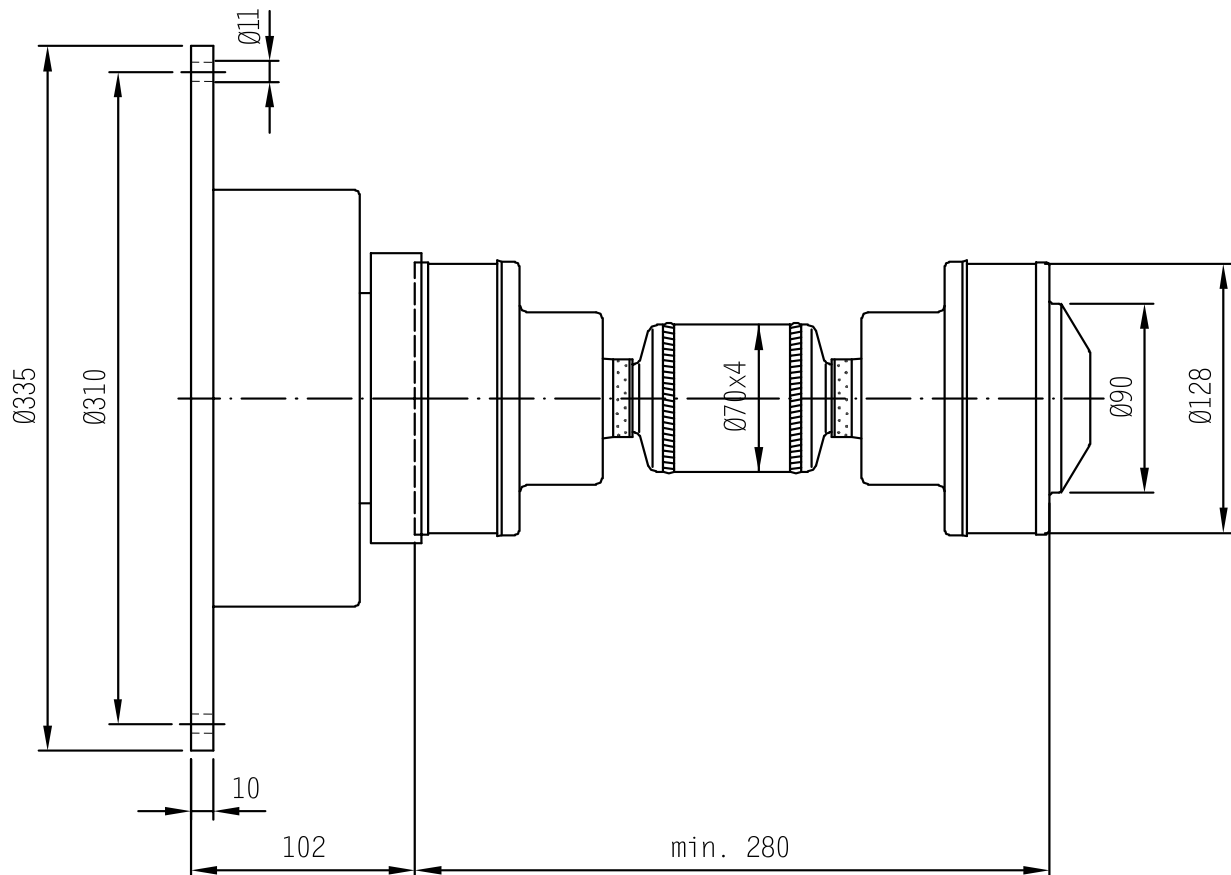
COUPLING DATA	
TkN	=565 Nm
Tk _{max}	= 1695 Nm
CT _{DYN}	= 2539 Nm/rad
VR	= 6,5
P	= 43 W
G	=17,5
J _I	= 0,009 kgm ²
J _A	= 0,177 kgm ²
Shore 50°	
Coupling stat. balanced acc. to ISO 1940 G 6.3	
Max speed 4000 rpm	

CV DATA		Part no/Art nr:	Qty/Antal	Description	Beskrivning
J _{170mm}	=0,0073 kgm ²	6070035	1	CV shaft	CV-axel
J _{rör}	= 0,0044 kgm ²	935200035	1	Coupling	Koppling
C _{170 mm}	=49691 Nm /rad	6090058	6	Screw M20x60	Skruv M20x60
C _{rör}	=44679 Nm/rad	6090145	3	Washer	Bricka
		6509510	1	Locking Liquid	Låsvätska

Also available in shorter design based on standard CV-shaft. /
Också tillgänglig i kortare utförande baserat på standard CV-axel.

CVT 21.15

Art nr. / Part no: 6356326



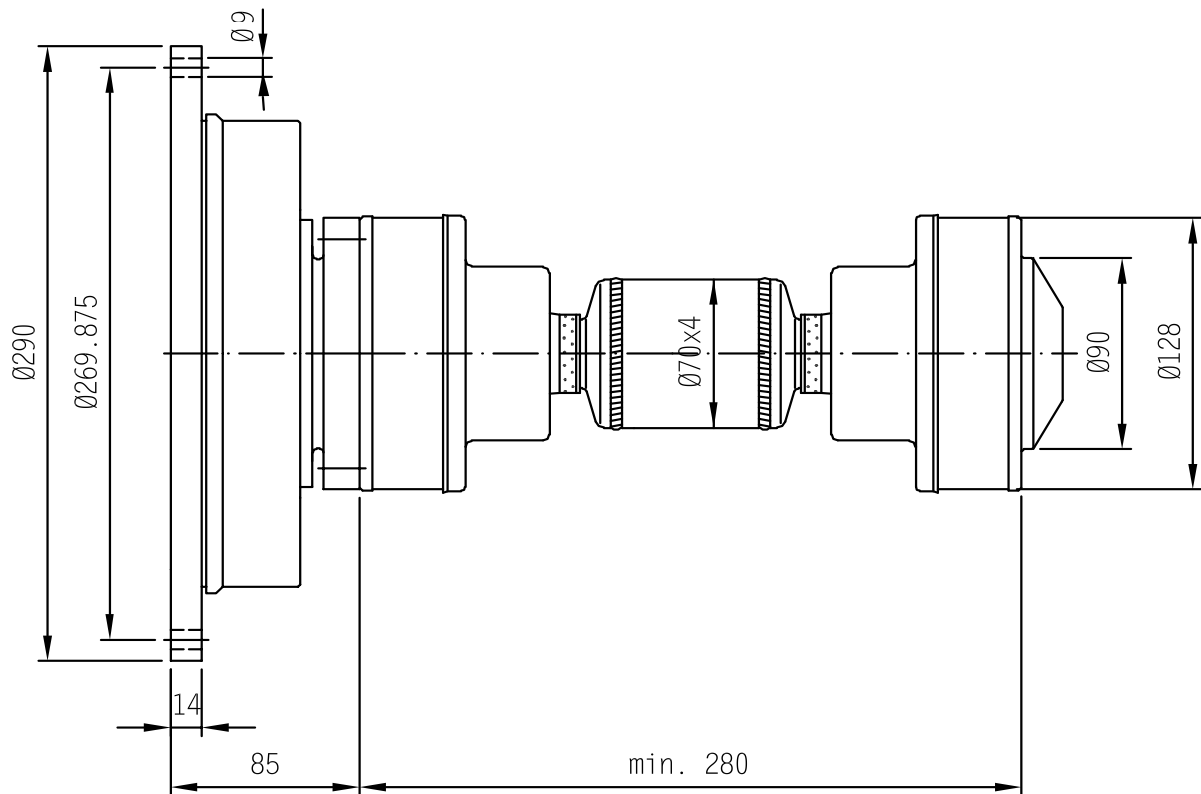
COUPLING DATA	
TkN	= 780 Nm
Tk _{max}	=2340 Nm
TkW	=270 Nm
CT _{DYN}	= 5200 Nm/rad
P	= 150 W
G	=18,5kg
J _I	= 0,007 kgm ²
J _A	=0,134 kgm ²
Shore 45°	
Coupling stat. balanced acc. to ISO 1940 G 6.3	
Max speed 3800 rpm	

Also available in shorter design based on standard CV-shaft. /
Också tillgänglig i kortare utförande baserat på standard CV-axel.

CV DATA		Part no/Art nr:	Qty/Antal	Description	Beskrivning
J _{280 mm}	= 0,0172 kgm ²	6070049	1	CV shaft	CV-axel
J _{rör (1000 mm)}	= 0,0071 kgm ²	935200042	1	Coupling	Koppling
C _{280 mm}	= 76513 Nm/rad	6090061	6	Screw M12x70	Skruv M12x70
C _{rör (1000 mm)}	= 73038 Nm/rad	6090143	3	Washer plate	Bågbleck
		6509510	1	Locking Liquid	Låsvätska

CVT 21.20 HS

Art nr. / Part no: 6356320



COUPLING DATA	
TkN	= 450 Nm
Tk _{max}	= 1350 Nm
TkW	= 160 Nm
CT _{DYN}	= 2100 Nm/rad
P	= 150 W
G	= 16 kg
J _I	= 0,013 kgm ²
J _A	= 0,125 kgm ²
Shore 45°	
Coupling stat. balanced acc. to ISO 1940 G 6.3	
Max speed 4000 rpm	

CV DATA

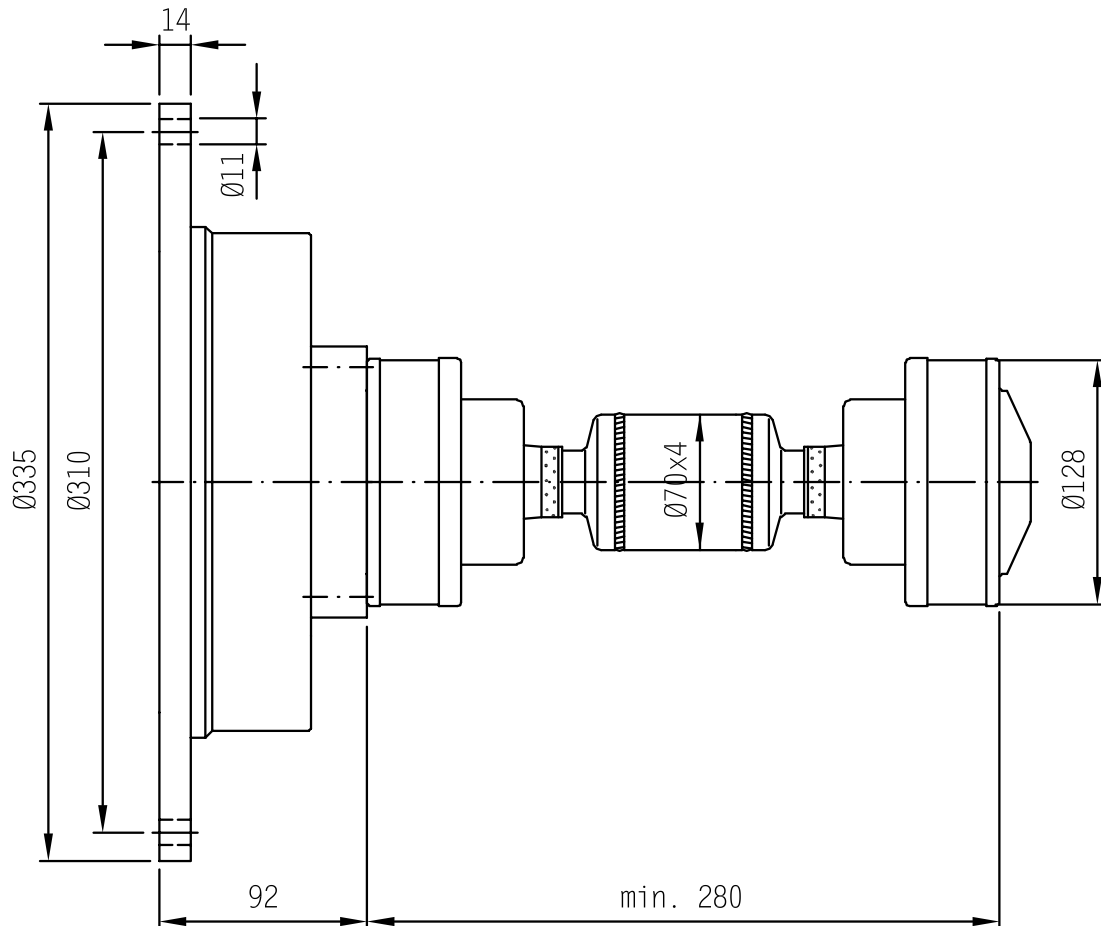
J _{280 mm}	= 0,0172 kgm ²
J _{rör (1000 mm)}	= 0,0071 kgm ²
C _{280 mm}	= 76513 Nm/rad
C _{rör (1000 mm)}	= 73038 Nm/rad

Also available in shorter design based on standard CV-shaft. /
Också tillgänglig i kortare utförande baserat på standard CV-axel.

Part no / Art nr	Qty/Antal	Description	Beskrivning
6070049	1	CV shaft	CV-axel
935200023	1	Coupling	Koppling
6090237	6	Screw M 8x40	Skruv M8x40
6090143	4	Washer plate	Bågbleck
6509510	1	Locking Liquid	Låsvätska
6090061	6	Screw M12X70	Skruv M12x70

CVT 21.30

Art nr. / Part no: 6356325

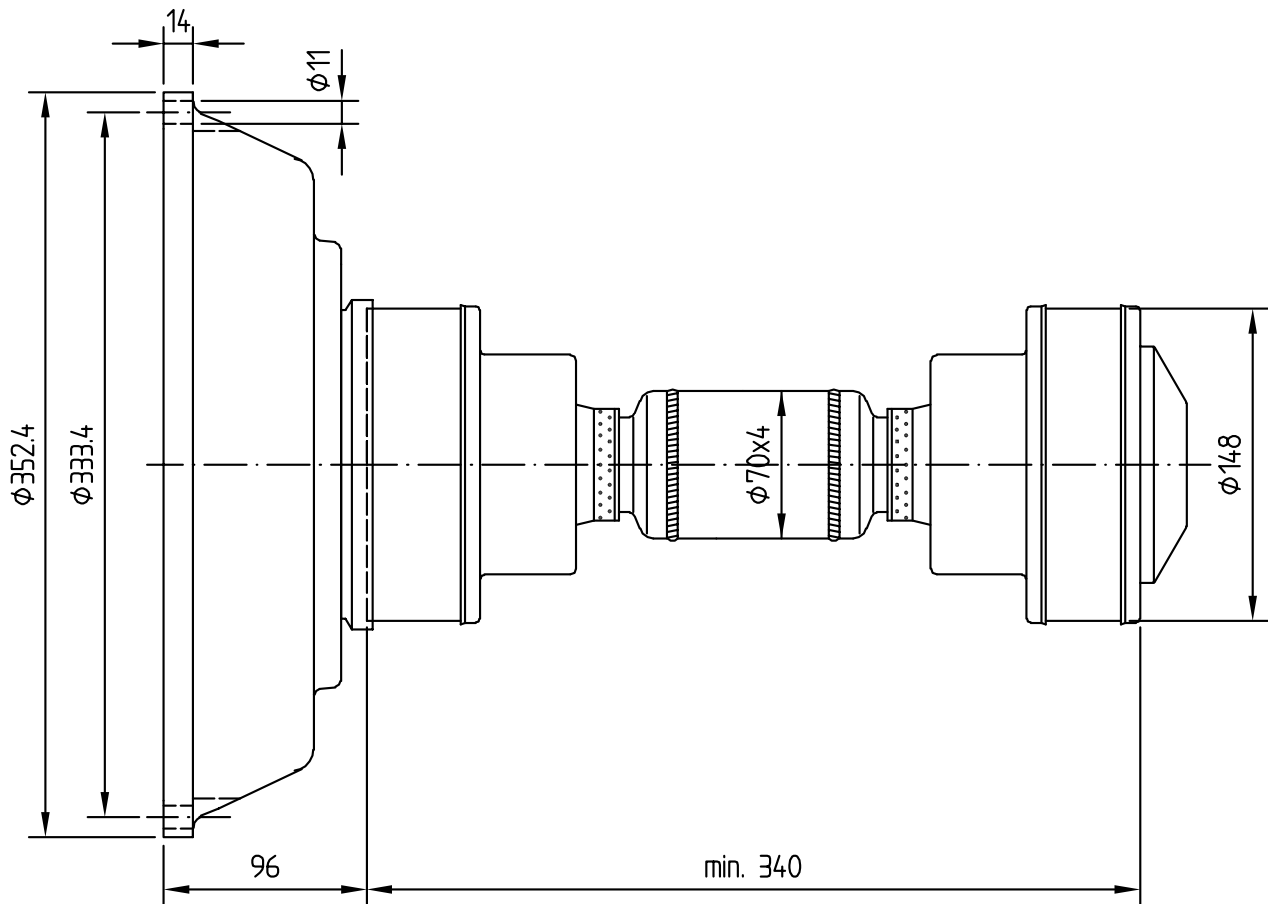


Also available in shorter design based on standard CV-shaft. /
Också tillgänglig i kortare utförande baserat på standard CV-axel.

COUPLING DATA					
TkN	=750 Nm				
Tk _{max}	= 2250 Nm				
CT _{DYN}	= 3600 Nm/rad				
P	= 200 W				
G	= 24 kg				
J _I	= 0,031 kgm ²				
J _A	= 0,165 kgm ²				
Shore 45°					
Coupling stat. balanced acc. to ISO 1940 G 6.3					
Max speed 3800 rpm					
CV DATA		Part no/Art nr:	Qty/Antal	Description	Beskrivning
J _{280mm}	=0,0172 kgm ²	6070049	1	CV shaft	CV-axel
J _{rör}	= 0,0071 kgm ²	93520004	1	Coupling	Koppling
C _{280 mm}	=76513 Nm /rad	6090061	6	Screw M12x70	Skruv M12x70
C _{rör}	=73038 Nm/rad	6090143	3	Washerplate	Bågbleck
		6509510	1	Locking Liquid	Låsvätska

CVT 30.35

Art nr. / Part no: 6356017



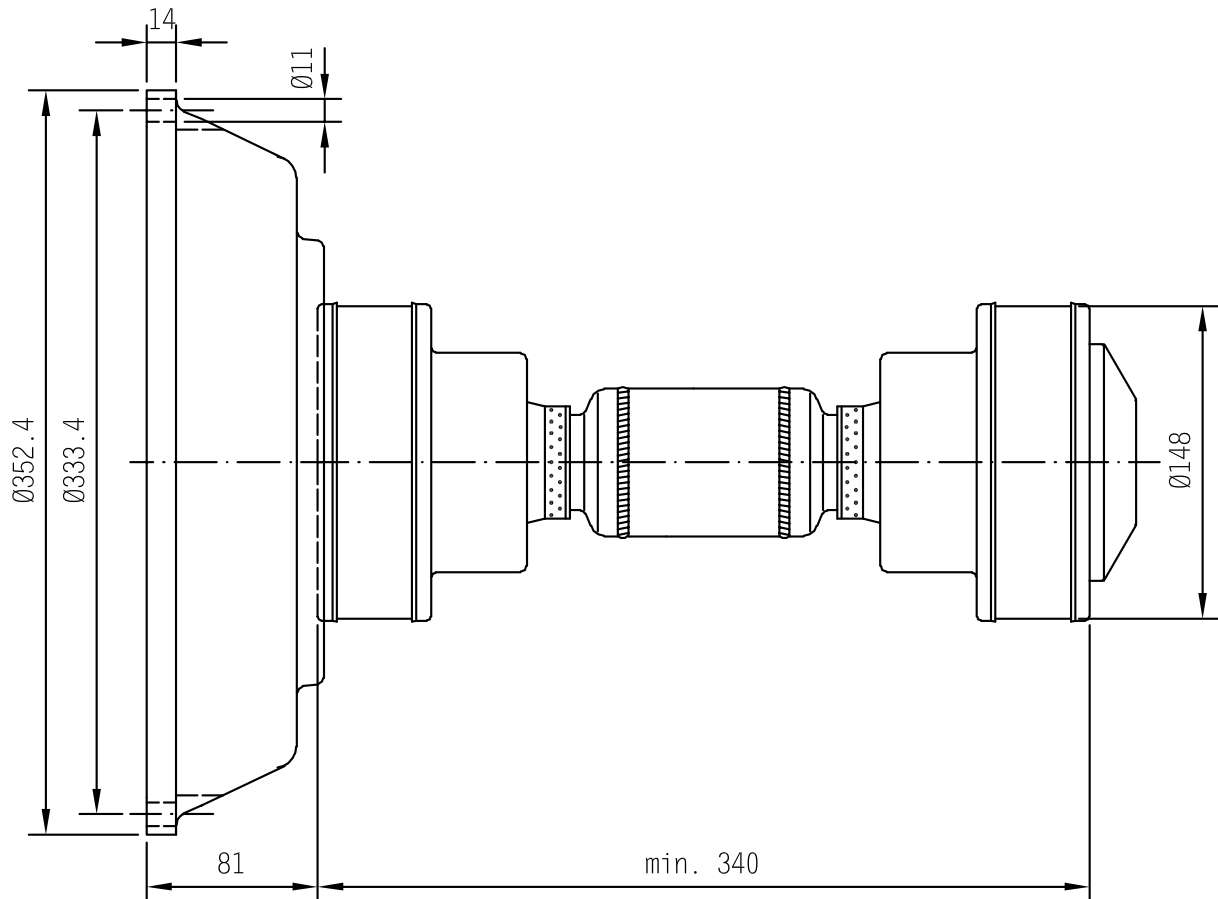
COUPLING DATA	
TkN	=1200 Nm
Tk _{max}	=3600 Nm
CT _{DYN}	= 4393 Nm/rad
VR	= 6,5
P	= 99 W
G	=22,4kg
J _I	= 0,029 kgm ²
J _A	= 0,246 kgm ²
Shore 45°	
Coupling stat. balanced	
acc. to ISO 1940 G 6.3	
Max speed	2500 rpm

CV DATA		Part no/Art nr	Qty/Antal	Description	Beskrivning
J _{430mm}	= 0,0340 kgm ²	6070095	1	CV-axel	CV shaft
J _{rör}	= 0,0071 kgm ²	935300031	1	Koppling	Coupling
C _{245 mm}	=209149 Nm /rad	6090062	6	Skruv M12x80	Screw M12x80
C _{rör}	= 73038 Nm/rad	6090144	2	Bricka	Washer
		6509510	1	Låsvätska	Locking Liquid

Also available in shorter design based on standard CV-shaft. /
Också tillgänglig i kortare utförande baserat på standard CV-axel.

CVT 30.40

Art nr. / Part no: 6356001



COUPLING DATA	
TkN	=1550 Nm
Tk _{max}	= 4650 Nm
CT _{DYN} 45°	= 5921 Nm/rad
VR	= 6,5
P	= 123 W
G	=21,1kg
J _I	= 0,057 kgm ²
J _A	= 0,261 kgm ²
Shore 45°	
Coupling stat. balanced acc. to ISO 1940 G 6.3	
Max speed	2500 rpm

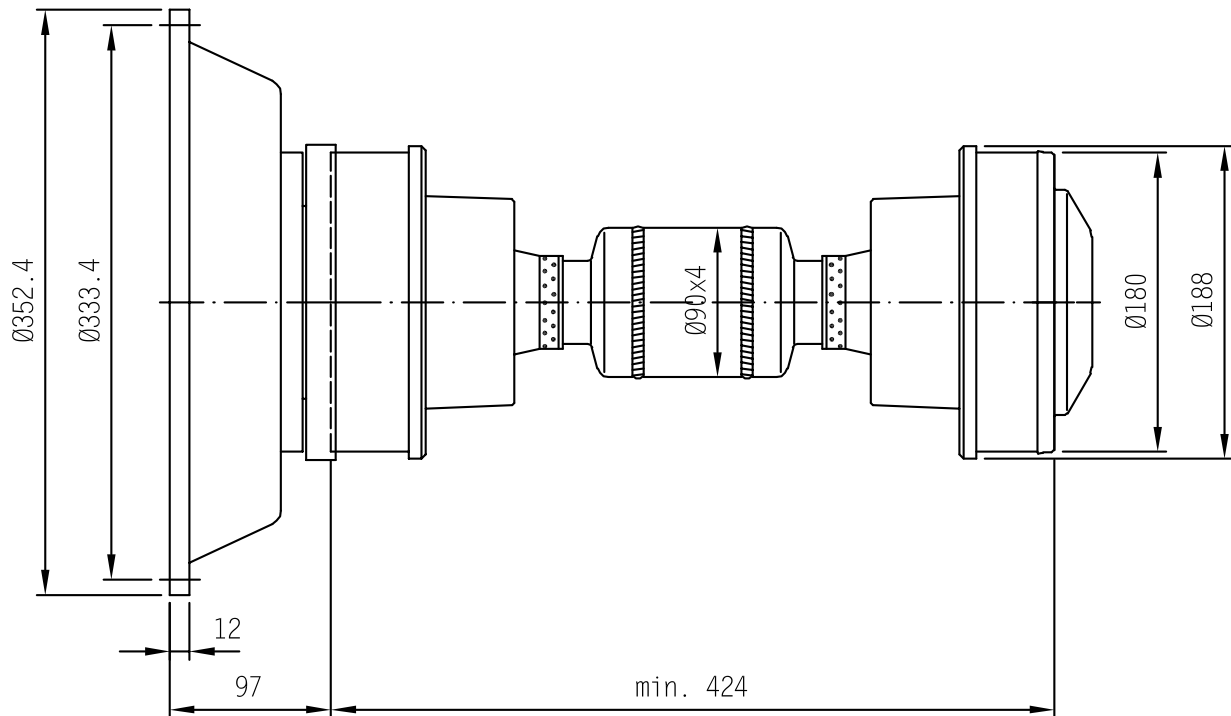
CV DATA	
J _{245mm}	=0,0340 kgm ²
J _{rör(1000 mm)}	= 0,0071 kgm ²
C _{245 mm}	=209149 Nm /rad
C _{rör(1000 mm)}	=73038 Nm/rad

Part no/Art nr	Qty/Antal	Description	Beskrivning
6070095	1	CV shaft	CV-axel
935300016	1	Coupling	Koppling
6090062	6	Screw M12x80	Skruv M12x80
6090144	2	Washerplate	Bågleck
6509510	1	Locking Liquid	Låsvätska

Also available in shorter design based on standard CV-shaft. /
Också tillgänglig i kortare utförande baserat på standard CV-axel.

CVT 32.35

Art nr. / Part no: 6356327



The CV shaft cover has to be removed before connection to the coupling.

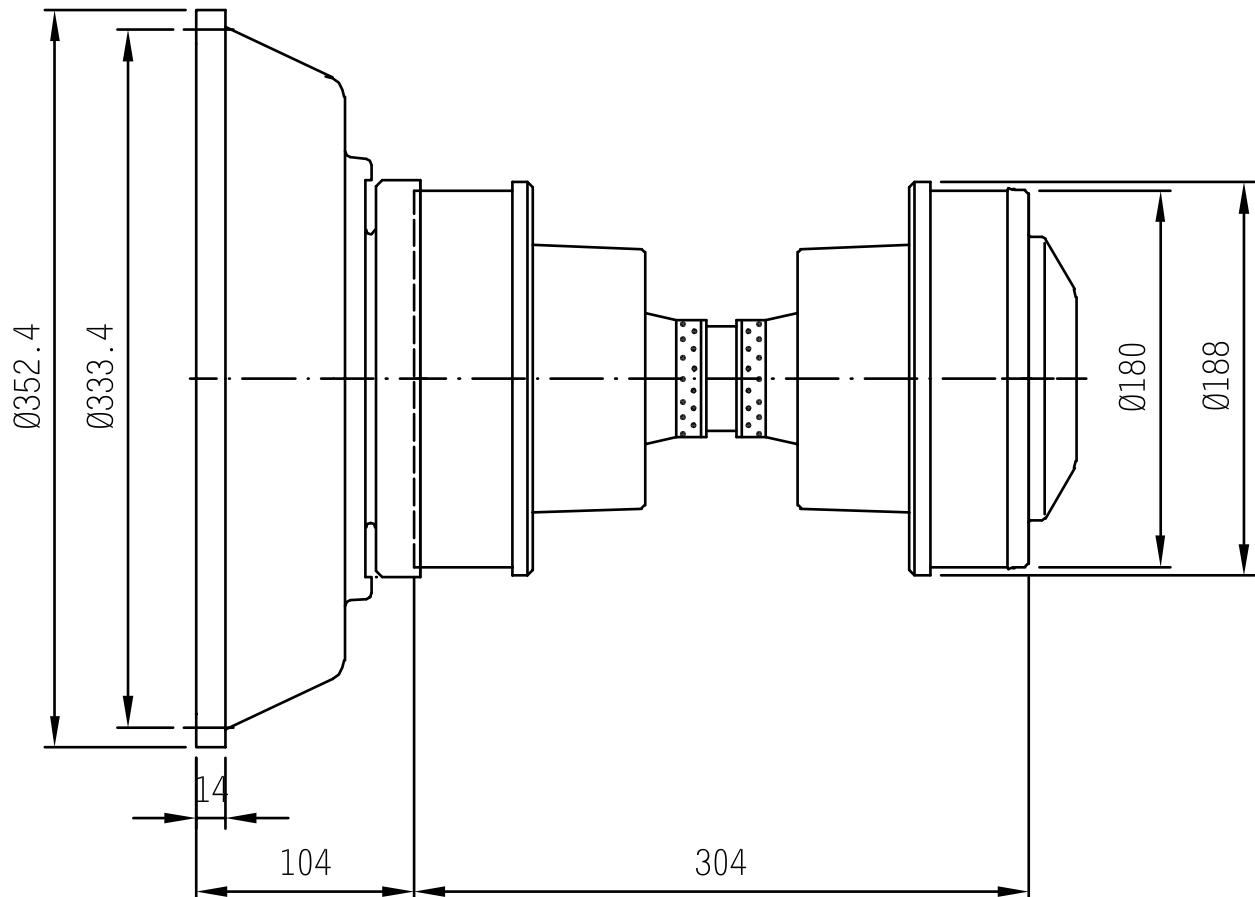
COUPLING DATA	
TkN	=1200 Nm
Tk _{max}	=3600 Nm
TkW	= 300 Nm
CT _{DYN}	= 4393 Nm/rad
VR	= 6,5
P	= 99 W
G	=23 kg
J _i	= 0,036 kgm ²
J _A	= 0,246 kgm ²
Shore 45°	
Coupling stat. balanced acc. to ISO 1940 G 6.3	
Max speed	2500 rpm

Also available in shorter design based on standard CV-shaft. /
Också tillgänglig i kortare utförande baserat på standard CV-axel.

CV DATA		Part no/Art nr	Qty/Antal	Description	Beskrivning
J _{420 mm}	= 0,0806 kgm ²	6070098	1	CV shaft	CV-axel
J _{rör (1000 mm)}	= 0,0157 kgm ²	935300030	1	Coupling	Koppling
C _{420 mm}	= 174018 Nm/rad	6090196	6	Screw M16x80	Skruv M16x80
C _{rör (1000 mm)}	= 161347 Nm/rad	6090104	6	Washer 16x5	Bricka M16x5
		6509510	1	Locking Liquid	Låsvätska

CVT 32.40

Art nr. / Part no: 6356328



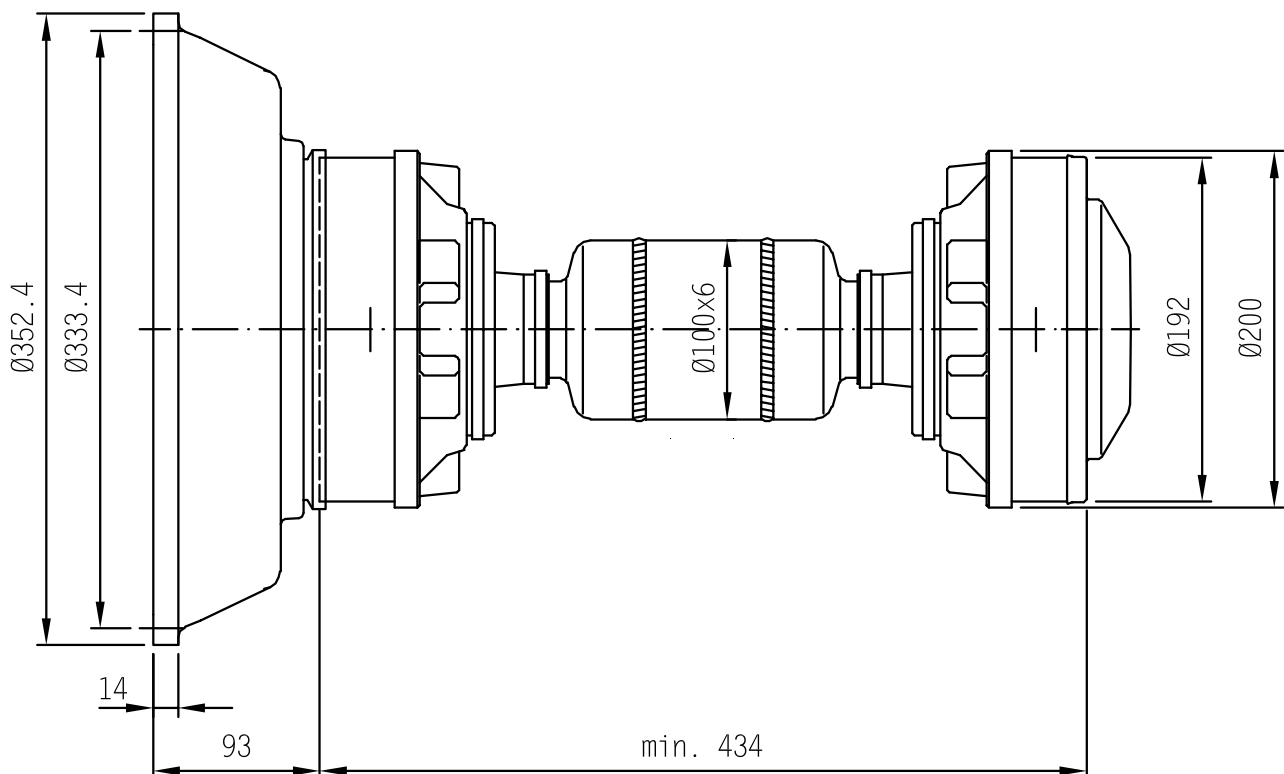
COUPLING DATA	
TkN	=1400Nm
Tk _{max}	= 4200 Nm
TkW	= 420
CT _{DYN} 45°	=9800 Nm/rad
P	= 260 W
G	=22,5kg
J _I	= 0,07 kgm ²
J _A	= 0,254 kgm ²
Coupling stat. balanced acc. to ISO 1940 G 6.3	
Max speed 2500 rpm	

Alså available in longer design. /
Också tillgänglig i längre utförande.

CV DATA		Part no/Art nr	Qty/Antal	Description	Beskrivning
J _{420mm}	=0,0815 kgm ²	6070097	1	CV shaft	CV-axel
J _{rör(1000 mm)}	= 0,0157 kgm ²	935300048	1	Coupling	Koppling
C _{420 mm}	= 174018 Nm/rad	6090196	6	Screw M12x80	Skruv M16x80
C _{rör(1000 mm)}	=161347 Nm/rad	6090104	2	Washer M16x5	Bricka M 16x5
		6509510	1	Locking Liquid	Låsvätska

CVT 42.40

Art nr. / Part no: 6356011



The CV shaft cover has to be removed before connection to the coupling.

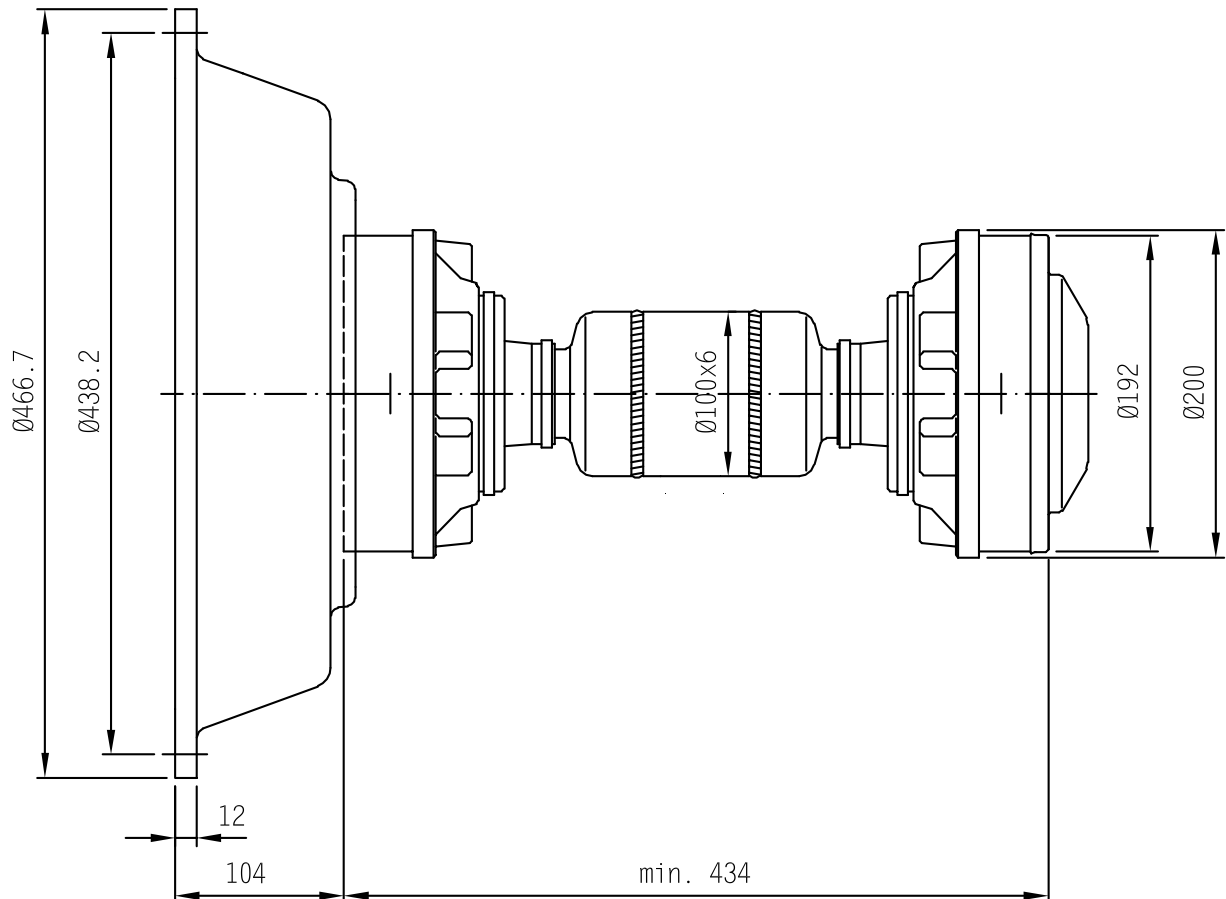
Also available in shorter design based on standard CV-shaft. /
Också tillgänglig i kortare utförande baserat på standard CV-axel.

COUPLING DATA	
TkN	=1550 Nm
Tk _{max}	= 4650 Nm
CT _{DYN}	= 5921 Nm/rad
P	= 123 W
G	= 20,5 kg
J _I	= 0,060 kgm ²
J _A	= 0,261 kgm ²
Shore 45°	
Coupling stat. balanced acc. to ISO 1940 G 6.3	
Max speed 2500 rpm	

CV DATA		Part no/Art nr	Qty/Antal	Description	Beskrivning
J _{430mm}	=0,1143 kgm ²	6070087	1	CV shaft	CV-axel
J _{rör}	= 0,0309 kgm ²	935300024	1	Coupling	Koppling
C _{430 mm}	=247461 Nm /rad	6090269	8	Screw M16x120	Skruv M16x120
C _{rör}	=316641 Nm/rad	6090104	8	Washer M16x5	Bricka M16x5
		6509510	1	Locking Liquid	Låsvätska

CVT 42.40

Art nr. / Part no: 6356333



The CV shaft cover has to be removed before connection to the coupling.

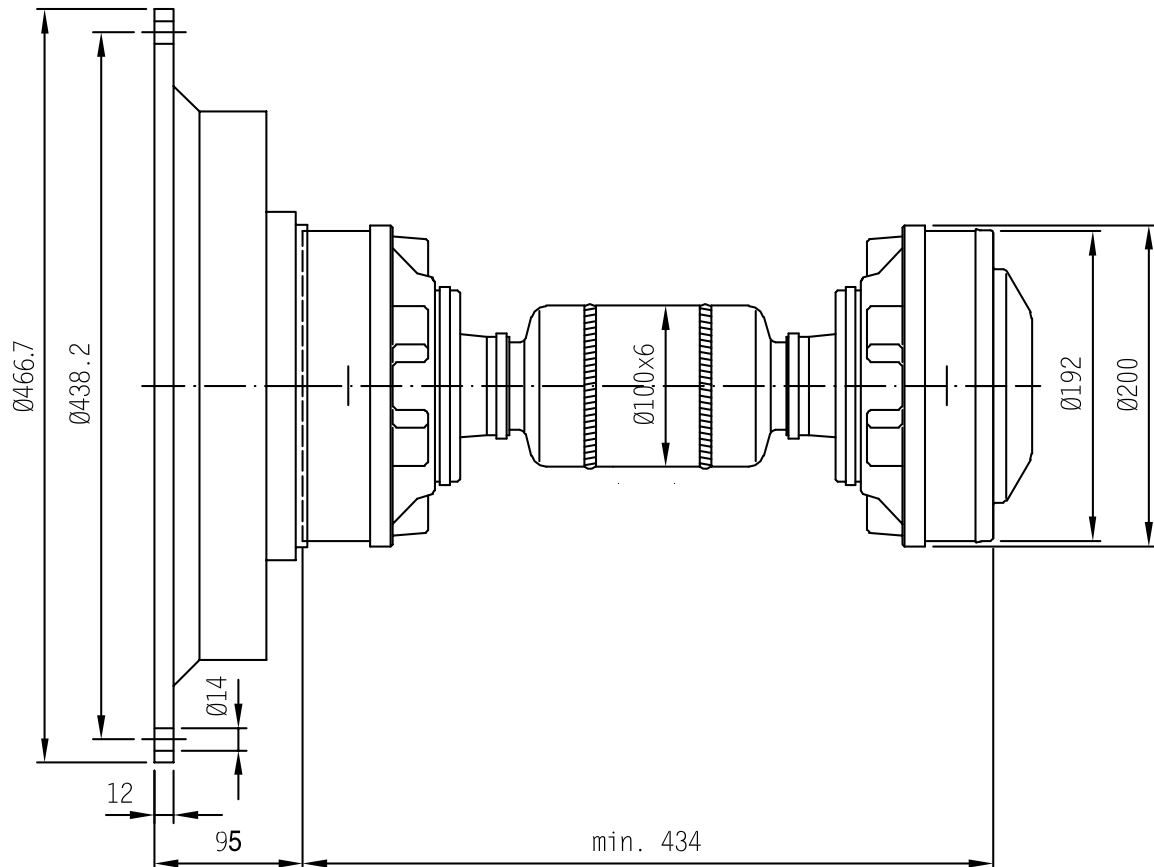
Also available in shorter design based on standard CV-shaft. /
Också tillgänglig i kortare utförande baserat på standard CV-axel.

COUPLING DATA	
TkN	= 1550 Nm
Tk _{max}	= 4650 Nm
CT _{DYN} 60°	= 15000 Nm/rad
G	= 27 kg
J _I	= 0,072 kgm ²
J _A	= 0,530 kgm ²
Shore 60°	
Coupling stat. balanced	
acc. to ISO 1940 G 6.3	
Max speed	2500 rpm

CV DATA	Part no/Art nr	Qty/Antal	Description	Beskrivning
J _{430mm} =0,1143 kgm ²	6070087	1	CV shaft	CV-axel
J _{rör} = 0,0309 kgm ²	935300127	1	Coupling	Koppling
C _{430 mm} =247461 Nm /rad	6090269	8	Screw M16x120	Skruv M16x120
C _{rör} =316641 Nm/rad	6090104	8	Washer M16x5	Bricka M16x5
	6509510	1	Locking Liquid	Låsvätska

CVT 42.45

Art nr. / Part no: 6356008



The CV shaft cover has to be removed before connection to the coupling.

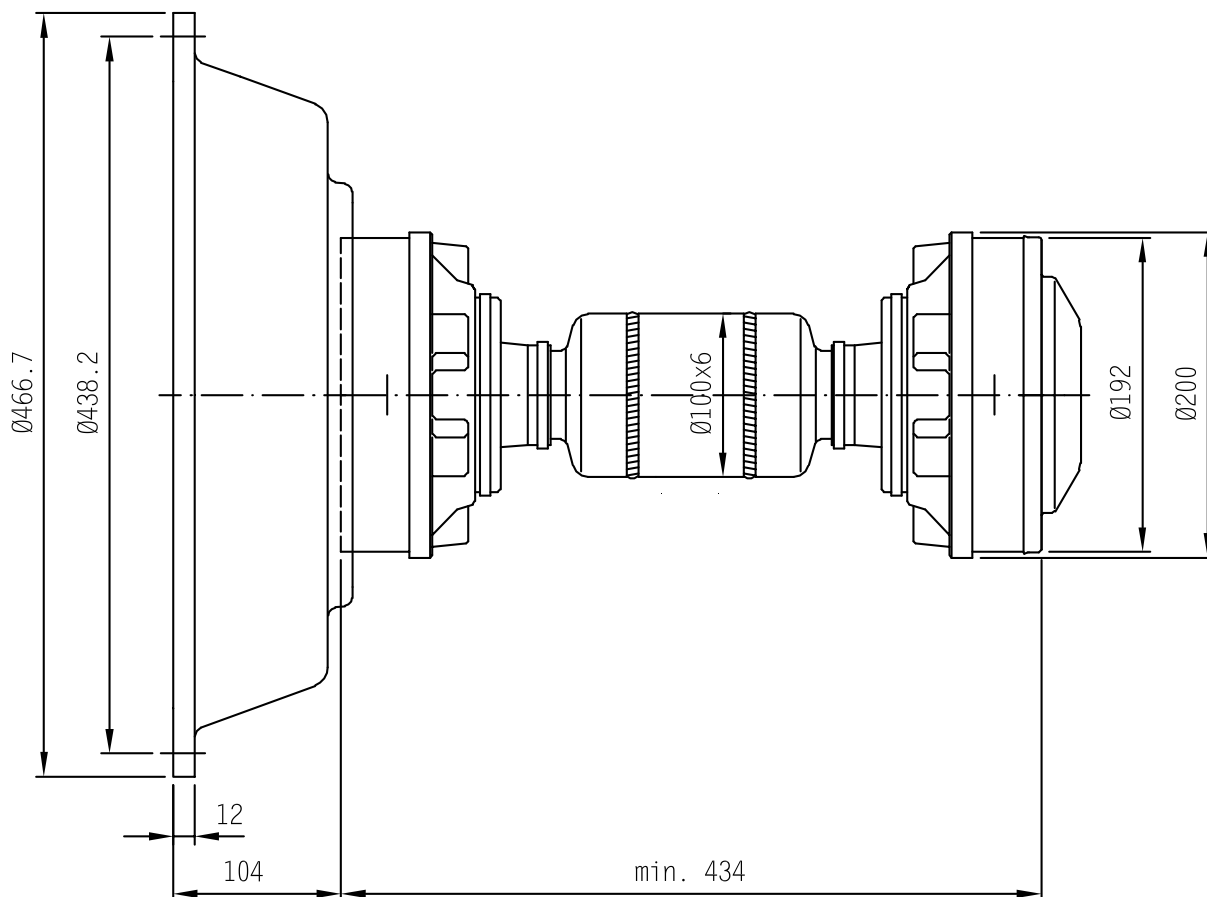
COUPLING DATA	
TkN	= 2100Nm
Tk _{max}	= 6300 Nm
CT _{DYN} 45°	=8022 Nm/rad
VR	=6,5
P	=164W
G	=40,3kg
J _I	= 0,097 kgm ²
J _A	= 0,780 kgm ²
Shore 45°	
Coupling stat. balanced acc. to ISO 1940 G 6.3	
Max speed	2500 rpm

CV DATA		Part no/Art nr	Qty/Antal	Description	Beskrivning
J _{430mm}	=0,1143 kgm ²	6070087	1	CV shaft	CV-axel
J _{rör}	= 0,0309 kgm ²	935300019	1	Coupling	Koppling
C _{430 mm}	=247461 Nm /rad	6090269	8	Screw M16x120	Skruv M16x120
C _{rör}	=316641 Nm/rad	6090104	8	Washer M16x5	Bricka M16x5
		6509510	1	Locking Liquid	Låsvätska

Also available in shorter design based on standard CV-shaft. /
Också tillgänglig i kortare utförande baserat på standard CV-axel.

CVT 42.50

Art nr. / Part no: 6356332



The CV shaft cover has to be removed before connection to the coupling.

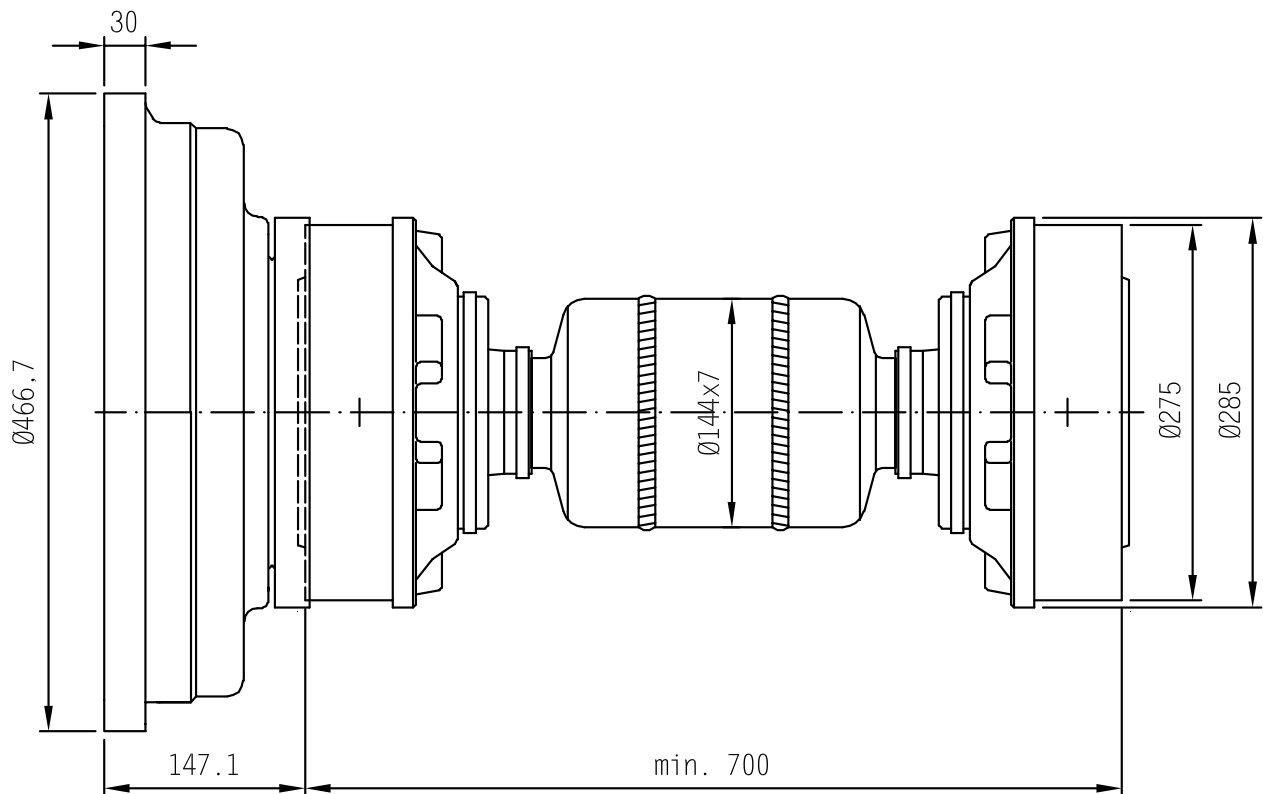
Also available in shorter design based on standard CV-shaft. /
Också tillgänglig i kortare utförande baserat på standard CV-axel.

COUPLING DATA	
TkN	= 2720Nm
Tk _{max}	= 8160 Nm
CT _{DYN} ^{45°}	=10390 Nm/rad
P	=213W
G	= 40kg
J _I	= 0,146 kgm ²
J _A	= 0,852 kgm ²
Coupling stat. balanced acc. to ISO 1940 G 6.3	
Max speed 2500 rpm	

CV DATA	Part no/Art nr	Qty/Antal	Description	Beskrivning
J _{430mm} = 0,1143 kgm ²	6070087	1	CV shaft	CV-axel
J _{rör} = 0,0309 kgm ²	935400015	1	Coupling	Koppling
C _{430 mm} = 247461 Nm /rad	6090269	8	Screw M16x120	Skruv M16x120
C _{rör} = 316641 Nm/rad	6090104	8	Washer M16x5	Bricka M16x5
	6509510	1	Locking Liquid	Låsvätska

CVT 60.55

Art nr. / Part no: 6356329

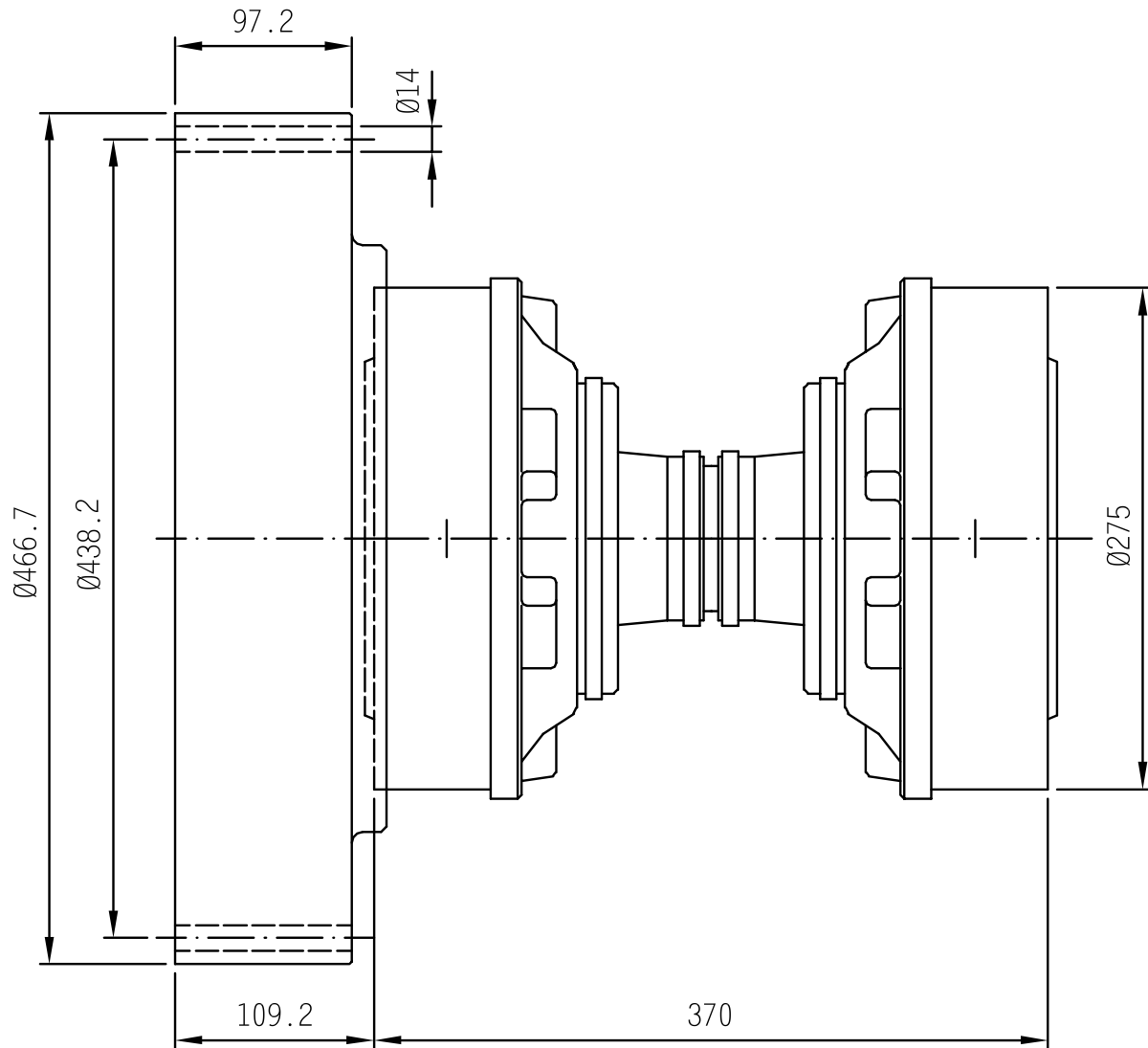


Also available in shorter design based on standard CV-shaft. /
Också tillgänglig i kortare utförande baserat på standard CV-axel.

COUPLING DATA					
TkN	=3750 Nm				
Tk _{max}	= 11250 Nm				
CT _{DYN} 45°	= 14325 Nm/rad				
P	= 295 W				
G	=74 kg				
J _I	= 0,365 kgm ²				
J _A	= 1,553 kgm ²				
Shore 45°					
Coupling stat. balanced acc. to ISO 1940 G 6.3					
Max speed 2100 rpm					
CV DATA		Part no/Art nr	Qty/Antal	Description	Beskrivning
J _{700mm}	=0,7841 kgm ²	6070108	1	CV shaft	CV-axel
J _{1000 mm rör}	= 0,2391 kgm ²	935400032	1	Coupling	Koppling
C _{700mm}	=968940 Nm /rad	6090190	8	Screw M20x140	Skruv M20x140
C _{1000 mm rör}	= 2450804 Nm/rad	6090191	8	Washer	Bricka
		6509510	2	Locking Liquid	Låsvätska

CVT 60.60

Art nr. / Part no: 6356330



Alså available in longer design. /
Också tillgänglig i längre utförande.

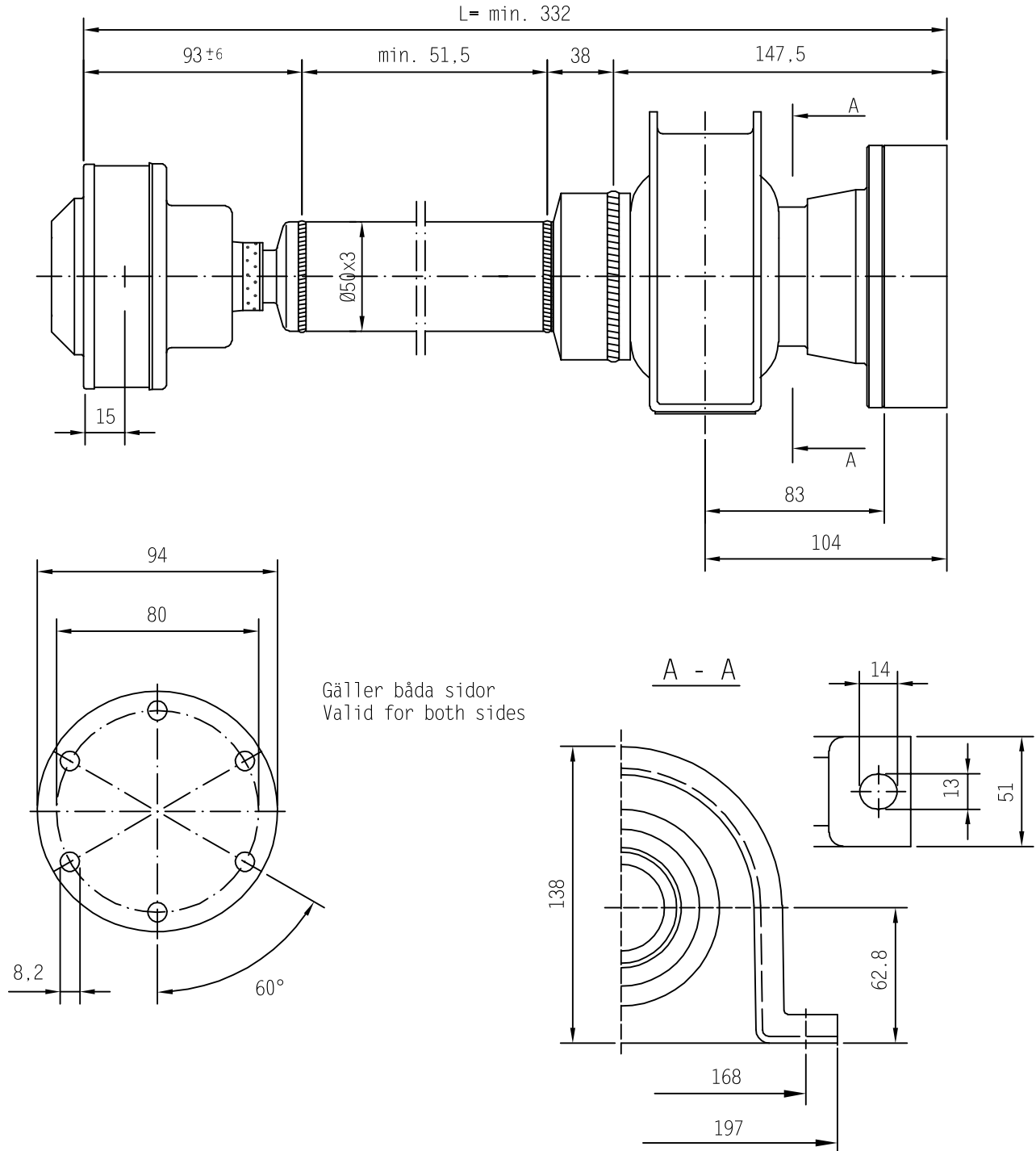
COUPLING DATA	
TkN	=4950 Nm
Tk _{max}	= 14850 Nm
CT _{DYN}	= 34700 Nm/rad
P	= 510 W
G	=63,2 kg
J _I	= 0,460 kgm ²
J _A	= 1,705 kgm ²
Shore	50°
Coupling stat. balanced acc. to ISO 1940 G 6.3	
Max speed 2100 rpm	

CV DATA	
J _{370 mm}	=0,5956 kgm ²
C _{370mm}	=1283133 Nm /rad

Part no/Art nr	Qty/Antal	Description	Beskrivning
6070100	1	CV shaft	CV-axel
935400030	1	Coupling	Koppling
6090190	8	Screw M20x140	Skruv M20x140
6090191	8	Washer	Bricka
6509510	2	Locking Liquid	Låsvätska

CVM 10

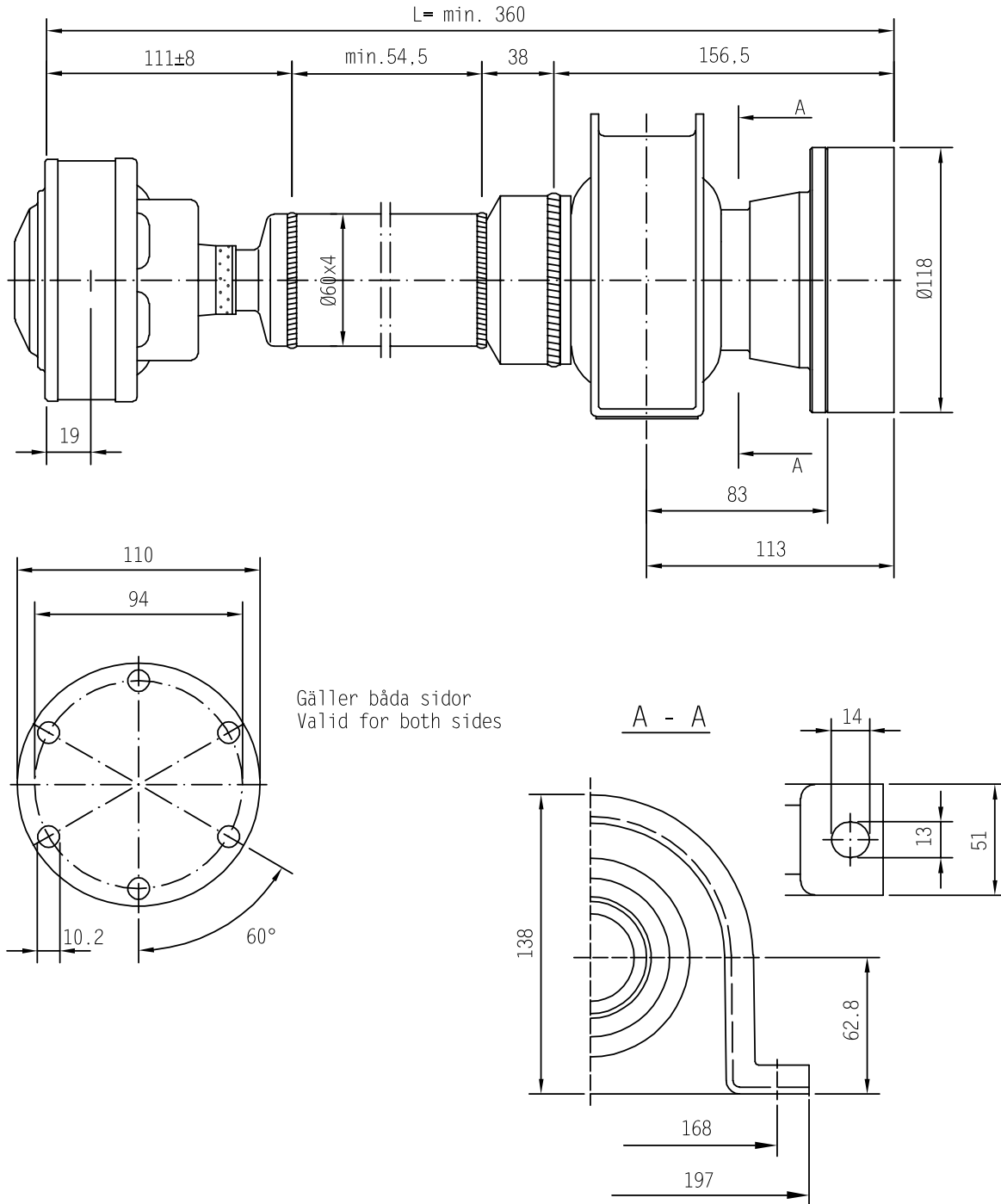
Art nr / Part no : 6070211



Max static torque Max statiskt vridmoment	960 lbft 1300 Nm
Max shaft revolutions/min Max axelvarvtal/min	L= 1000 mm → 5000 rpm L= 1300 mm → 3000 rpm L= 1700 mm → 1800 rpm
Max angularity/joint Max avvinkling/knut	0-1400 rpm= 8° 1800 rpm= 6° 3300rpm= 3°

CVM 15

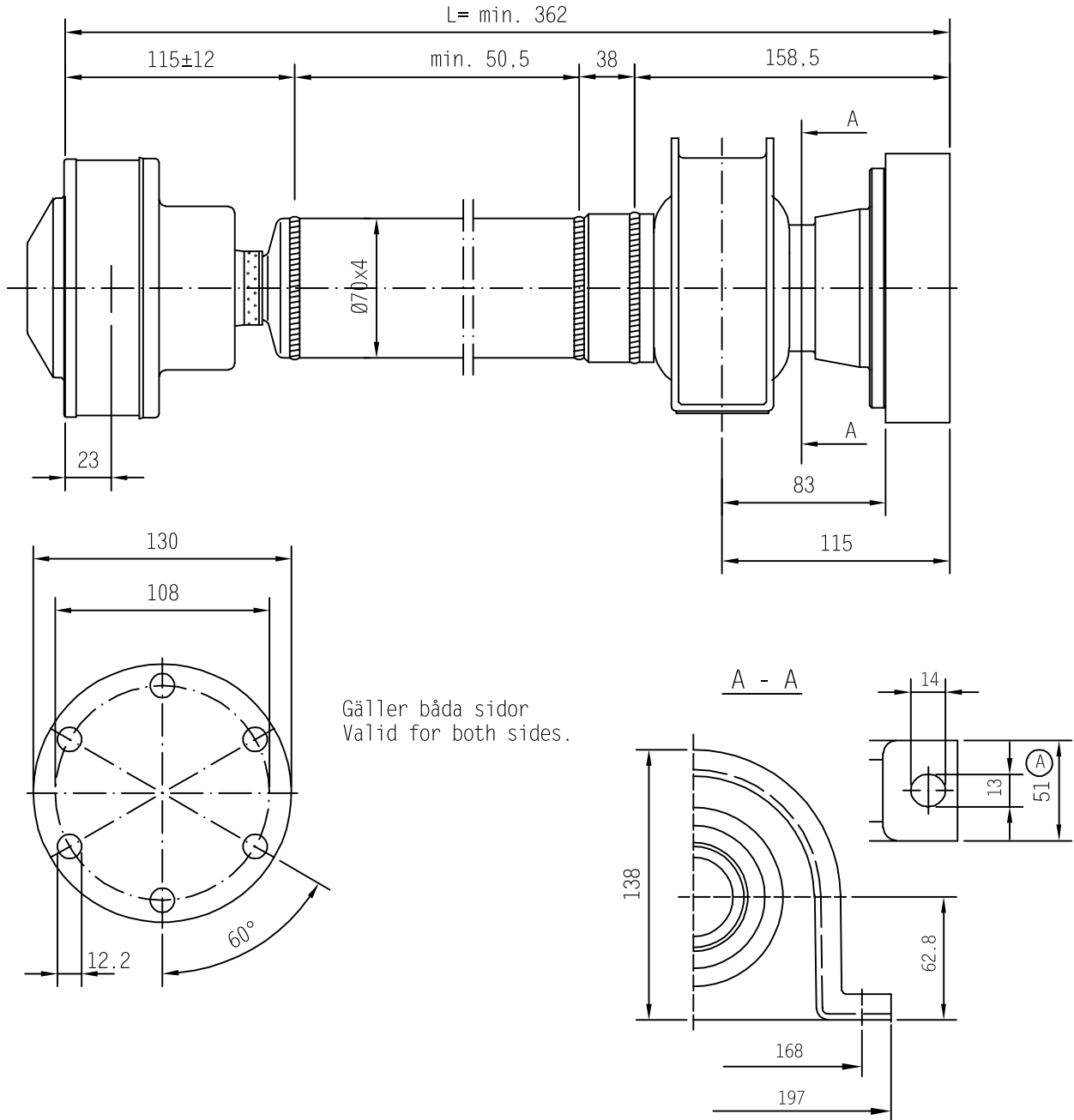
Art nr / Part no : 6070220



Max static torque Max statiskt vridmoment	1850 lbft 2500 Nm
Max shaft revolutions/min Max axelvarvtal/min	L= 1200 mm → 5000 rpm L= 1600 mm → 2800 rpm L= 2100 mm → 1600 rpm
Max angularity/joint Max avvinkling/knut	0-1400 rpm = 8° 1800 rpm= 6° 3300 rpm= 3°

CVM 21

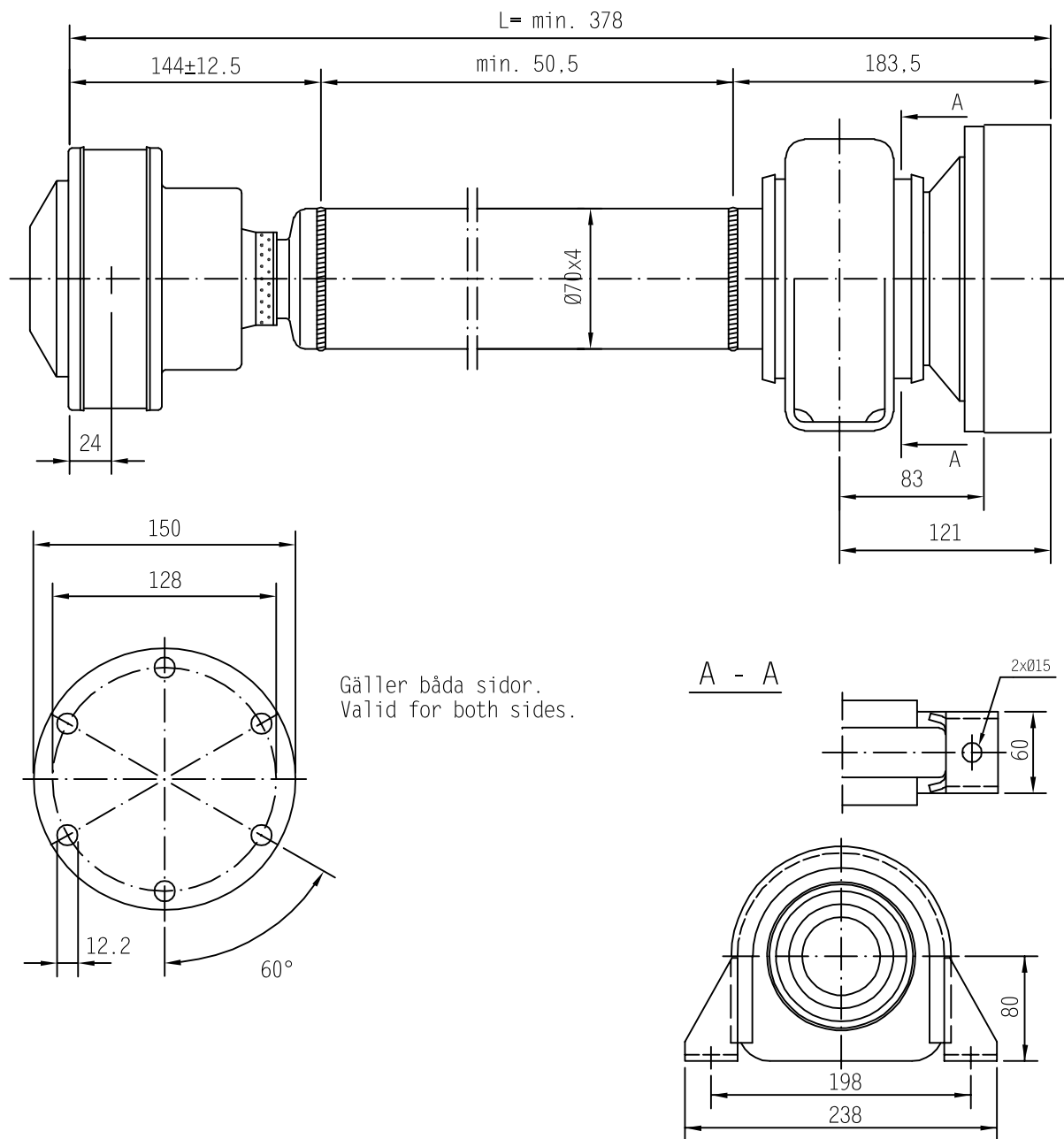
Art nr / Part no : 6070230



Max static torque Max statiskt vridmoment	2590 lbft 3500 Nm
Max shaft revolutions/min Max axelvarvtal/min	L= 1300 mm → 5000 rpm L= 1700 mm → 2900 rpm L= 2300 mm → 1600 rpm
Max angularity/joint Max avvinkling/knut	0-1400 rpm = 8° 1800 rpm= 6° 3300 rpm= 3°

CVM 30

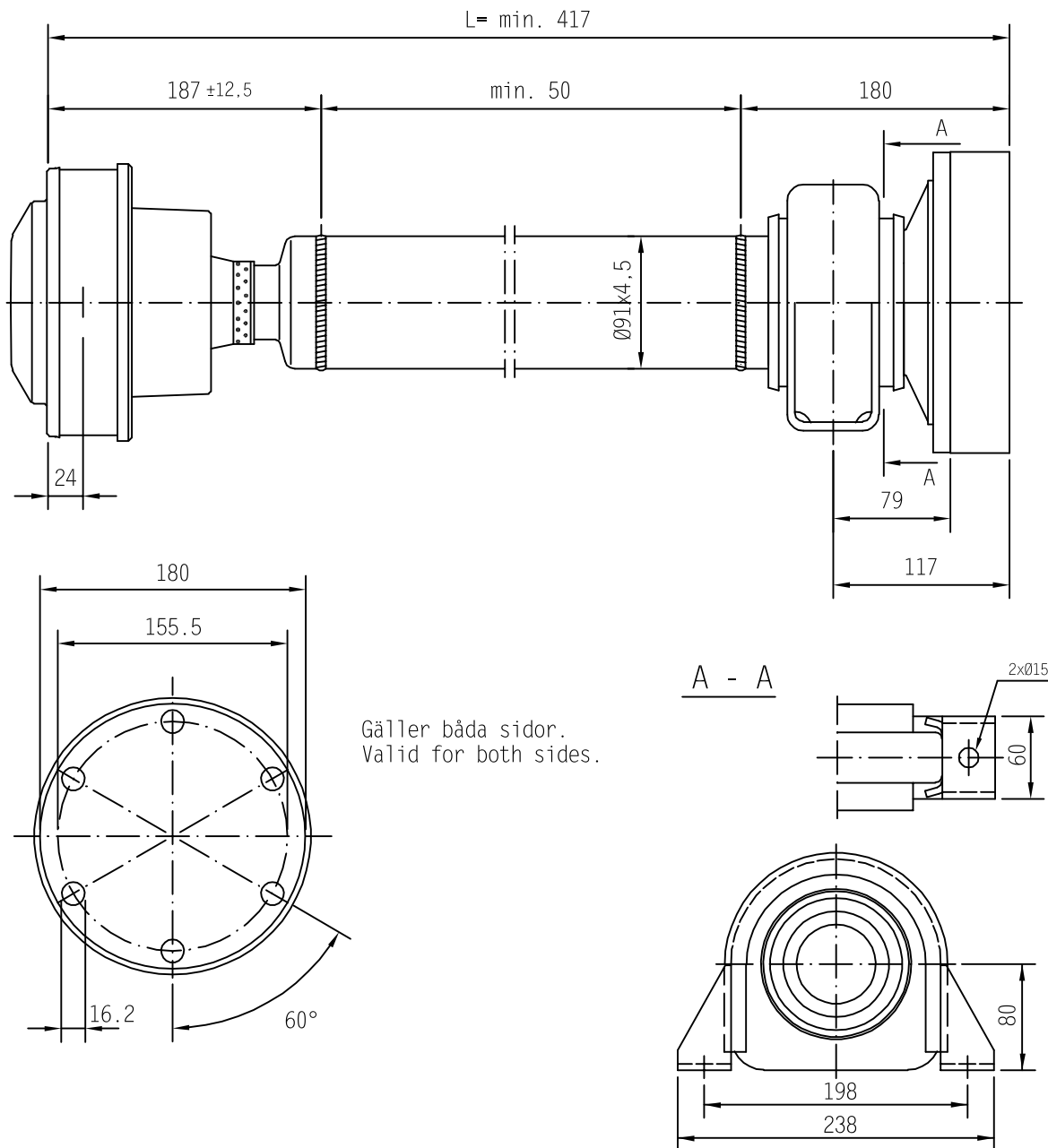
Art nr / Part no : 6070240



Max static torque Max statiskt vridmoment	3500 Nm 2590 lbft
Max shaft revolutions/min Max axelvarvtal/min	L= 1300 mm → 5000 rpm L= 1700 mm → 2900 rpm L= 2300 mm → 1600 rpm
Max angularity/joint Max avvinkling/knut	0-14000 rpm = 8° 1800 rpm= 6° 3300 rpm= 3°

CVM 32

Art nr / Part no : 6070251

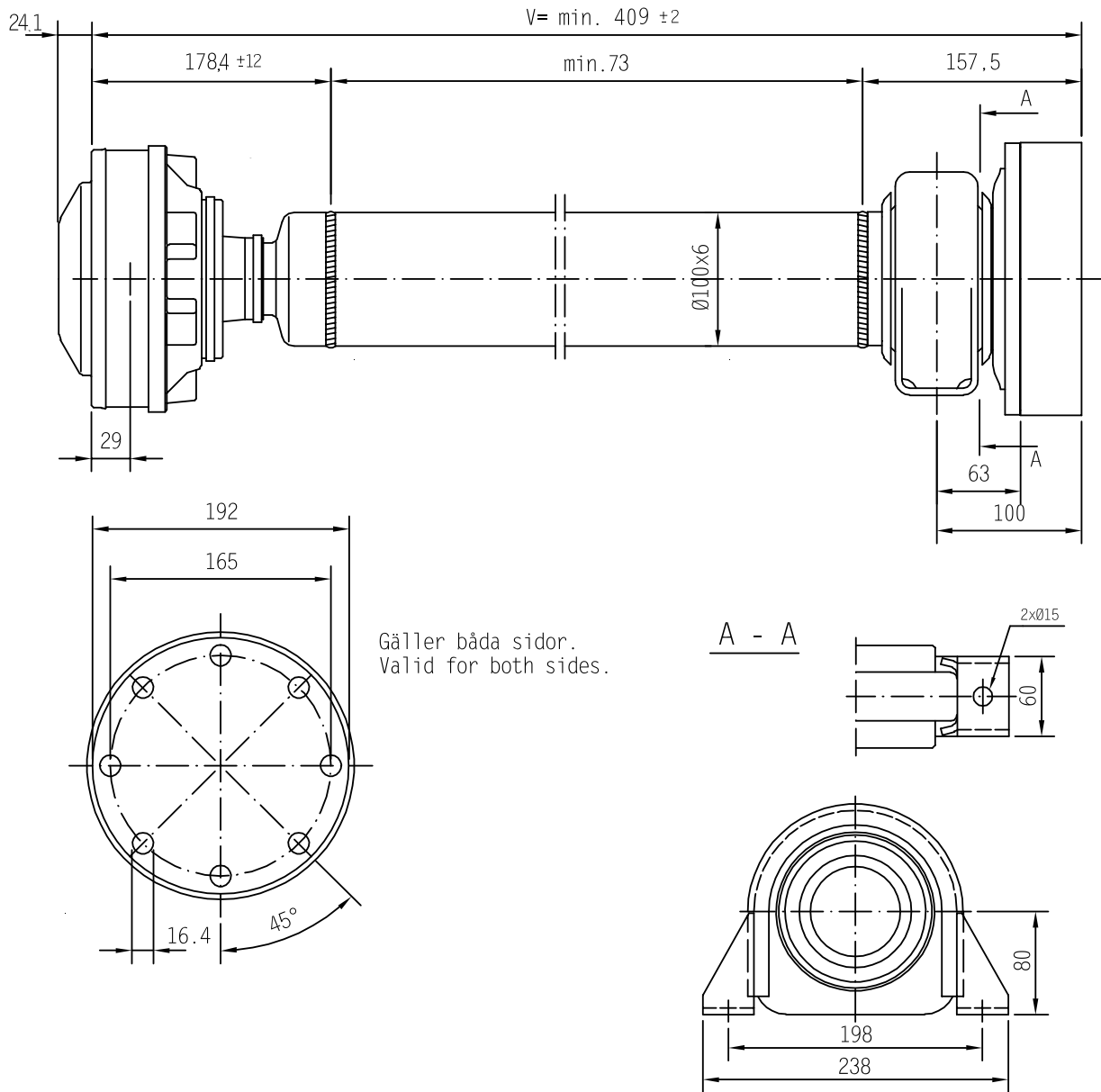


Gäller båda sidor.
Valid for both sides.

Max static torque Max statiskt vridmoment	4440 lbft 6000 Nm
Max shaft revolutions/min Max axelvarvtal/min	L= 1500 mm → 4900 rpm L= 2000 mm → 2700 rpm L= 2500 mm → 1800 rpm
Max angularity/joint Max avvinkling/knut	0-1000 rpm = 8° 1500 rpm = 6° 3000 rpm = 3°

CVM 42

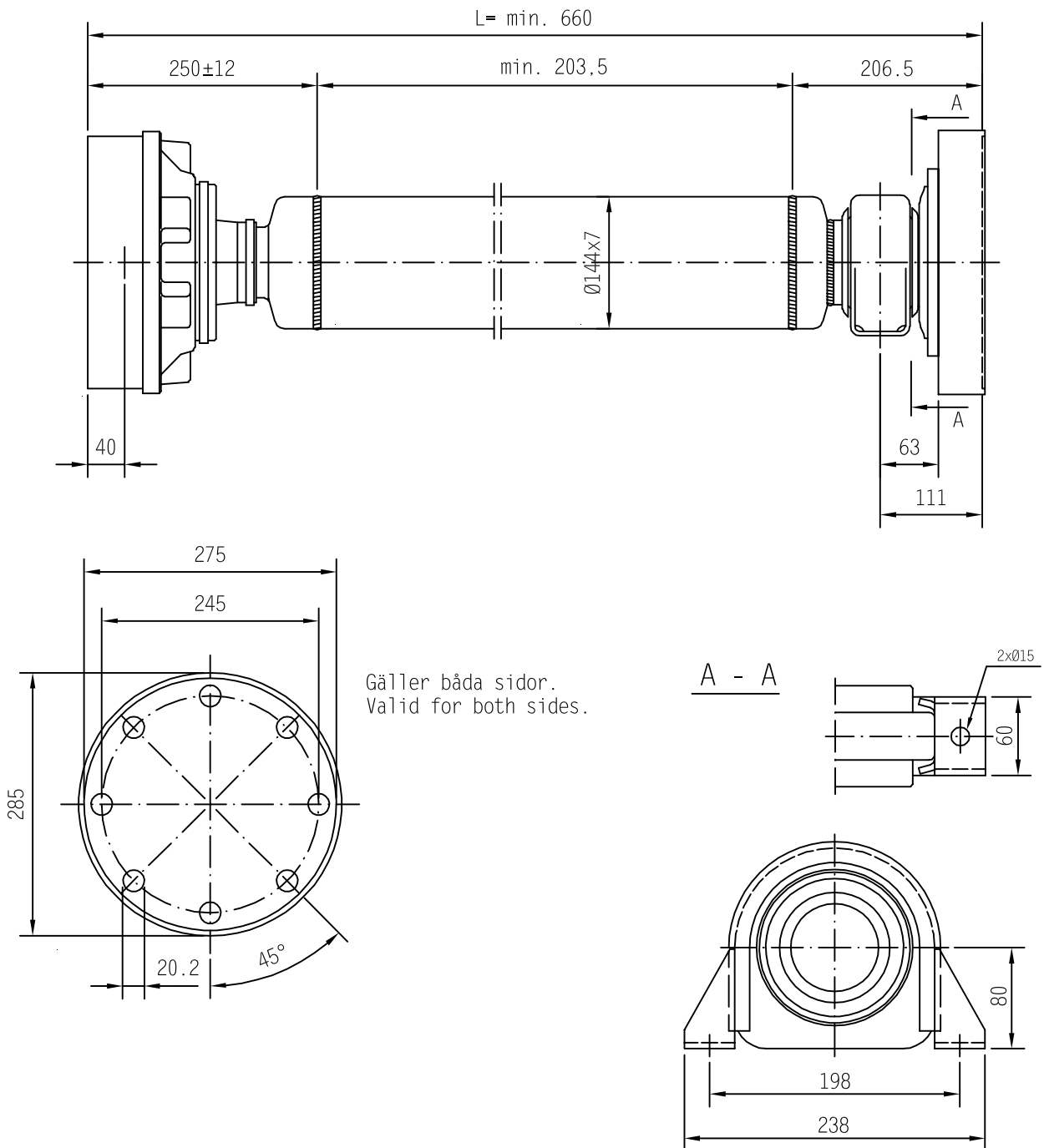
Art nr / Part no : 6070261



Max static torque Max statiskt vridmoment	7770 lbft 10500 Nm
Max shaft revolutions/min Max axelvarvtal/min	L= 2000 mm → 3000 rpm L= 2500 mm → 1900 rpm L= 3000 mm → 1300 rpm
Max angularity/joint Max avvinkling/knut	1750 rpm = 8° 2300 rpm = 6° 3500 rpm = 4°

CVM 60

Art nr / Part no : 6070270



Gäller båda sidor.
Valid for both sides.

Max static torque Max statiskt vridmoment	Consult factory
Max shaft revolutions/min Max axelvarvtal/min	Consult factory
Max angularity/joint Max avvinkling/knut	Consult factory