



MODEL 2542 PRESSURE CONTROL HEAD – SINGLE OUTPUT

DESCRIPTION

The 2542 Control Head consists of a lever-cam operated, accurate, self relieving regulating valve. Handle movement actuates the regulating valve delivering output pressures according to handle position.

Weight: 6.3 lbs (2.9 kg)

Materials: Die cast silicon brass and stainless steel hardware.

Maximum Supply Pressure: 150 psi. (10.3 bar)

Operating Temperature Range: -40°C to +90°C

Pipe Port Size: 1/8" N.P.T.

APPLICATIONS

- Remote control of variable volume hydraulic pumps, motors and hydrostatic drives
- Proportional control of throttles and governors
- Proportional stopping torque control of air brakes

ORDERING INFORMATION

Model Designations:

- A - left hand model
- B - right hand model
- C - one short handle
- D - one long handle
- F - spring return handle
- H - with chrome finish dome
- J - with polished bronze finish dome
- K - with black epoxy finish dome
- N - 0 – 60 psi
- P - 0 – 80 psi
- R - 0 – 100 psi
- S - 0 – 120 psi
- T - 10 – 60 psi
- U - 10 – 80 psi
- W - 10 – 100 psi
- X - 10 – 120 psi
- V - black plastic handle grips

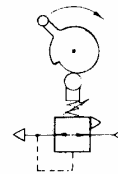
The standard model 2542 Control Head is supplied as follows:

- I. Left hand model with short handle
- II. Non spring-returned handle with adjustable holding friction
- III. With chrome finish cover and handle
- IV. In any standard pressure range

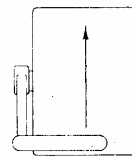
To order, state Model number followed by the desired Model Designation letter codes.

Example: Standard black 2542 with 10-60 psig pressure range. Ordering number is 2542-ACKT

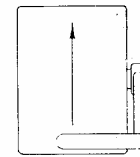
SCHEMATIC SYMBOL



MOVEMENT OF HANDLE IN DIRECTION OF ARROW INCREASES OUTPUT PRESSURE

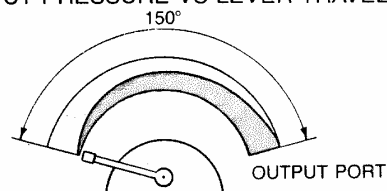


2542-A
LEFT HAND MODEL

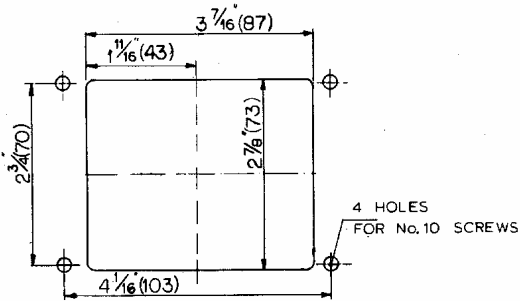
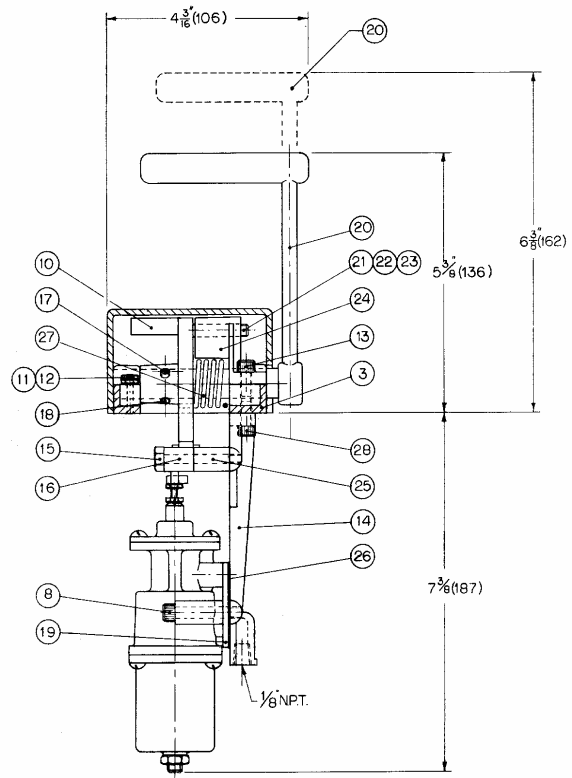
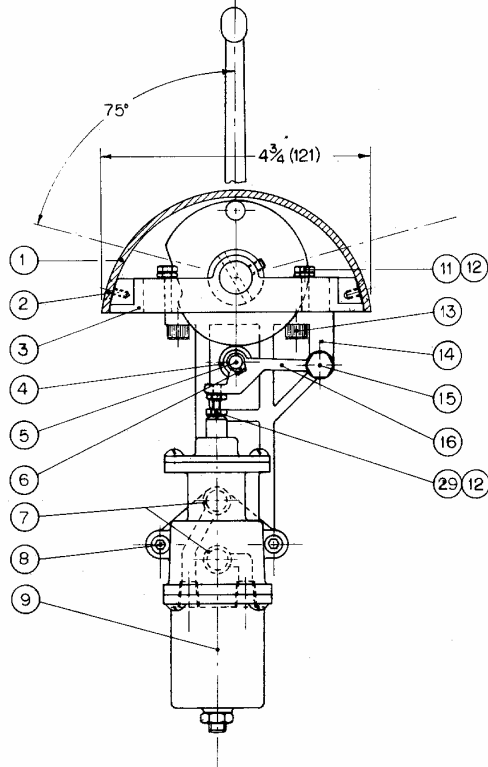


2542-B
RIGHT HAND MODEL

OUTPUT PRESSURE VS LEVER TRAVEL



DIMENSIONS AND PARTS



Model 2542

ITEM	QUANTITY	PART NUMBER	DESCRIPTION
1	1	2542-0001	Dome
2	2	1005-0808	Screw
3	1	2542-0002	Frame
4	1	2543-0009	Roller
5	1	1025-0511	Pin
6	2	1029-1031	Snap Ring
7	2	1101-0010	"O" Ring
8	2	1002-1024	Capscrew
9**	1	3217	Valve
10	1	2542-0004	Cam
11	2	1001-0812	Capscrew
12	3	1022-0108	Nut
13	2	1002-1010	Capscrew
14	1	2542-0005	Ports Support
15	1	1001-1028	Capscrew
16	1	2542-0006	Roller Arm
17	1	1016-1004	Setscrew
18	1	1024-0816	Pin
19	1	2542-0007	Plate
20	1	2542-0012	Handle (Short)
20*	1	2542-0013	Handle (Long)
21	1	1016-1205	Setscrew
22	1	1201-0002	Spring
23	1	2542-0008	Friction Pad
24	1	2542-0009	Bracket
25	1	2542-0010	Spacer
26	1	2542-0014	Gasket
27*	1	1203-0001	Spring
28	2	1002-1008	Socket Head Capscrew
29	1	1001-0808	Capscrew

*Optional.

**When ordering valve, specify pressure range as per model codes on reverse side.