



## 2031 TWO LEVER HEAVY DUTY SIDEMOUNT CONTROL

This side-mount control is intended to control water jets, power take-offs, small mechanical clutches, and various other heavy duty applications where 60 series cable is employed. The long handles provide from 3" to 6" stroke. It is possible to use this model on a two-station (in series) application whereby two levers are provided on the backside of the control for connection of two cables, one to the remote station and one to the item to be controlled. The all bronze and stainless steel construction will give years of trouble-free service.

### ORDERING INFORMATION

2031 Two lever sidemount control

2031-2 Two lever sidemount control for two stations (series connection)

Note: For two station, in-series applications, one of each control must be ordered.

Example: 1 only 2031 and 1 only 2031-2

### LETTER CODE DESIGNATION

K – With Chrome finish flange and handle

L – With polished brass finish flange and handle

M – With Black epoxy finish flange and chrome handle

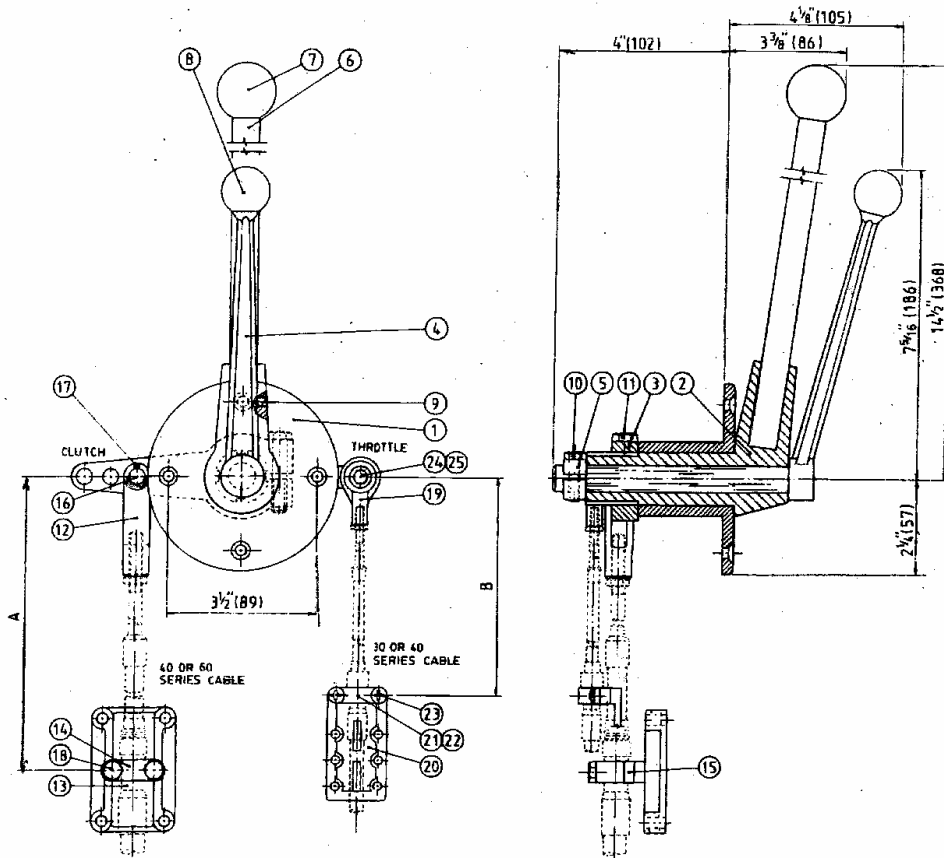
EXAMPLE: For a 2031 control with chrome finish, the order number is 2031-K

One cable connection kit part number 2031-0912 for 60 series cable is included for the regular 2031 model. Two kits are included for model 2031-2.

For the short handle in model 2031 one connection kit must be ordered separately. Model 2031-2 requires two kits.

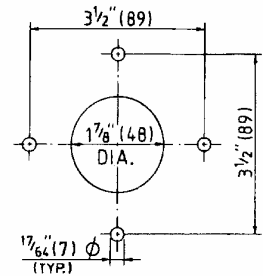
### Ordering Number:

2031-0901 (30 series cable)  
2031-0902 (40 series cable)



To determine dimension "A", the cable must be in the mid position with the clevis attached. To determine dimension "B", the cable with the rod end attached, must be pushed in for pull governors and pulled out for push governors.

"CUT-OUT DIMENSIONS"



Item	Qty	Part No.	Description	Item	Qty	Part No.	Description
1	1	2031-0001	Mounting Flange				
2	1	2031-0002	Handle Hub				
3	1	2031-0003	Lever				
4	1	2030-0002	Handle Hub				
5	1	2104-0003	Lever				
6	1	2031-0006	Handle shaft				
7	1	2030-0001	Black Knob				
8	1	2030-0012	Red Knob				
9	1	1016-1004	Set Screw				
10	1	1001-1014	Hex Hd Screw				
11	1	1001-1124	Hex Hd Screw				
<b>2031-0912 (60 series) cable kit</b>							
12	1	2031-0004	Clevis				
13	1	2031-0005	Bracket				
14	1	2108-0004	Clamp				
15	1	2109-0004	Spacer				
16	1	2031-0007	Pin				
17	2	1026-0312	Cotter Pin				
18	2	1001-1020	Hex Hd Screw				
				<b>2031-0902 (40 series) cable kit</b>			
				19	1	2144	Rod End
				20	1	2131-0001	Bracket
				21	1	2108-0002	Clamp
				22	1	2109-0001	spacer
				23	2	1012-0814	Pan Hd Screw
				24	1	1001-1014	Hex Hd Screw
				25	1	1022-0110	Nut
				<b>2031-0901 (30 series) cable kit</b>			
				19	1	2144-3	Rod End
				20	1	2131-0001	Bracket
				21	1	2108-0001	Clamp
				22	1	2109-0001	spacer
				23	2	1010-0810	Round Hd Screw
				24	1	1001-1014	Hex Hd Screw
				25	1	1022-0110	Nut