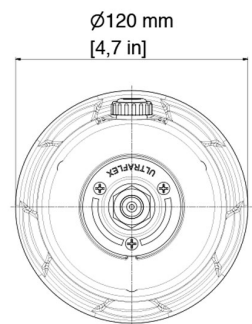
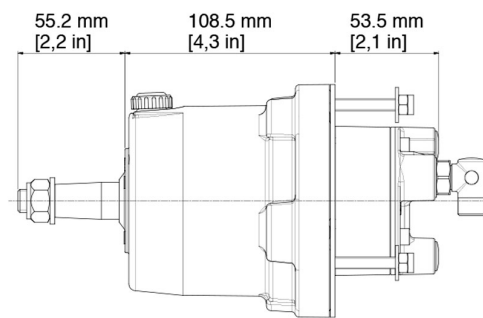
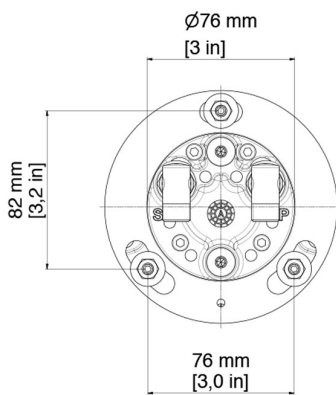
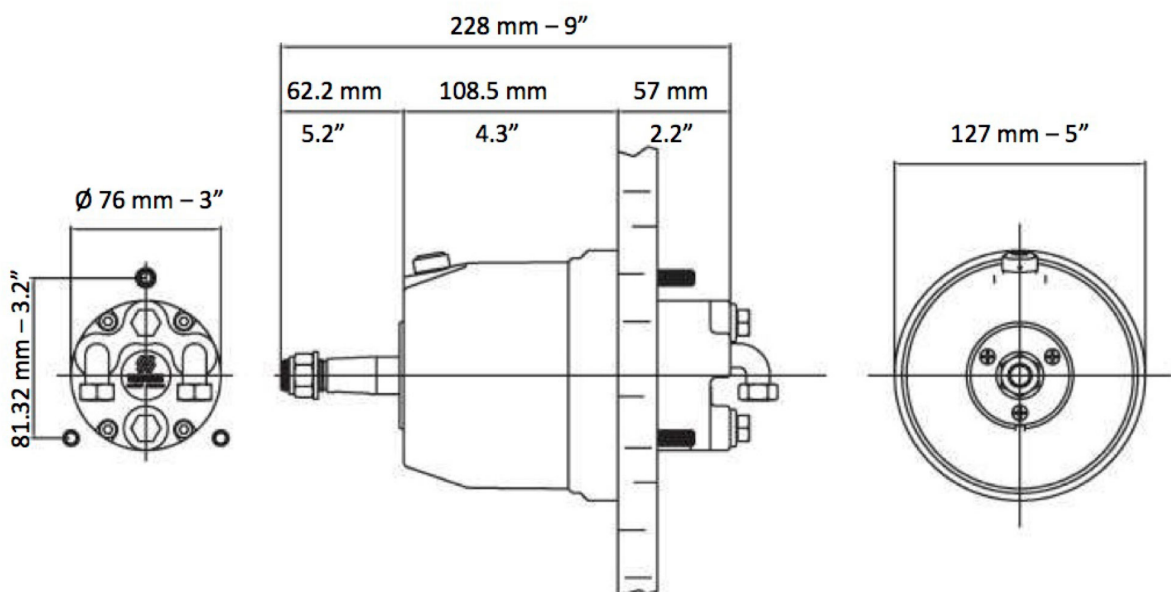


PUMPS FOR HYDRAULIC STEERING SYSTEMS

UP20F UP25F UP28F UP33F UP39F UP45F DIMENSIONS



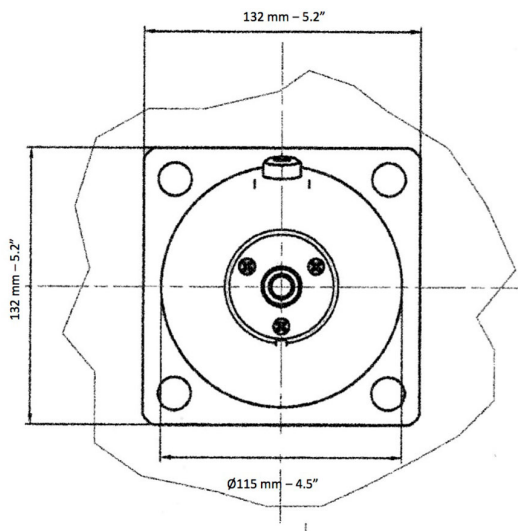
DIMENSIONS UP20F



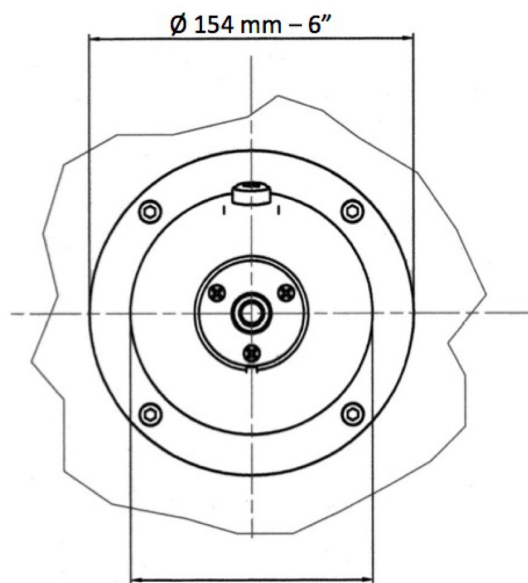
DIMENSIONS UP25F UP28F UP33F UP39F UP45F

PUMPS FOR HYDRAULIC STEERING SYSTEMS

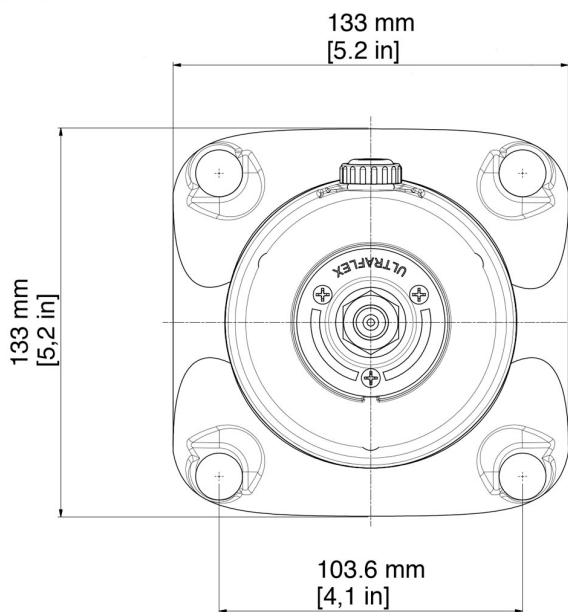
UP20F UP25F UP28F UP33F UP39F UP45F DIMENSIONS



DIMENSIONS X64



DIMENSIONS X57



DIMENSIONS X74