



**MODEL 3516
DIAL ON-OFF VALVE**

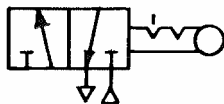
The 3516 is a 2 position 3-way full detent directional control valve. It is used frequently to control air supply for pressure control heads. The 3516 can be used for any application where a small-package panel mount on-off valve is required.

Weight: 0.8 lb (0.4 kg)
 Material: Die cast silicon bronze and stainless steel hardware
 Max. Supply Pressure: 200 psi (13.8 bar)
 Operating Temp. Range: -40°C to +90°C
 Pipe Port Size: 1/8" NPT

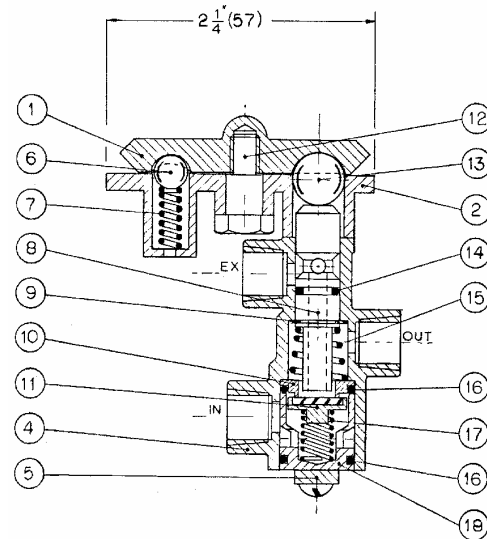
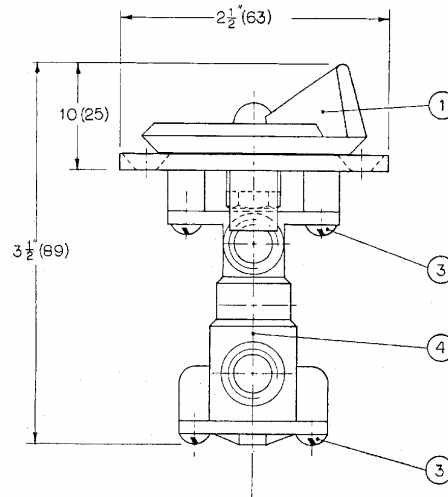
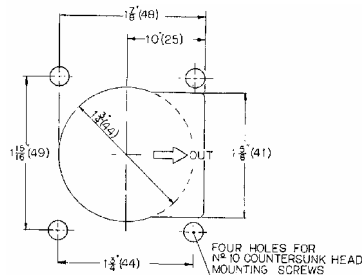
ORDERING INFORMATION

To order, state Model number 3516
 A repair kit 3516-RK is available for the seal repairs.

SCHEMATIC SYMBOL



All Dimensions in inches (mm)



ITEM	QTY	PART NUMBER	DESCRIPTION
1	1	3516-0001	Dial
2	1	3516-0002	Mounting Plate
3	4	1010-0806	Screw
4	1	3516-0004	Body
5	1	3803-0007	End Cap
6	1	1301-0009	Ball
7	1	1201-0001	Spring
8	1	3803-0001	Spool
9	1	1029-2037	Snap Ring
10	1	3803-0003	Seat
11	1	3803-0004	Poppet
12	1	3516-0003	Shoulder Screw
13	1	1301-0014	Ball
14	1	1101-0010	"O" Ring
15	1	1201-0013	Spring
16	2	1101-0014	"O" Ring
17	1	1201-0004	Spring
18	1	3803-0005	Retainer