



MODEL 4607 ELECTRIC POWER ASSIST

The purpose of the 4607 is to provide a power assist for hard to move push pull cable systems. It can provide a maximum torque of 120 in-lbs.

A 12V or 24V DC power supply is required. A terminal strip is provided for connection to the DC power source. In order to install the wire, the cover for the terminal strip must be removed and the wire must be inserted through the connector provided and feed through to the terminal strip. The positive wire must be connected to the red wire and the negative to the white. One must be absolutely sure that the right polarity is used. The terminal strip is located on the mechanical input side.

The cable coming from the control head must be connected to the input side. A pointer is provided on the shaft to indicate its position. Since the bracket can be

installed in six different ways, the lever must be adjusted to coincide with the bracket and cable lead. The pointer must not be removed since it is the only indication for mid position. On the output side, the bracket can also be installed in eight different ways. A 3" stroke cable can be installed on the input side with a 4" cable on the output end. By installing the input cable on the second hole from the end of the input lever and installing the output cable on the last hole on the actuator lever, it will increase the stroke to 3 ¾". With long cable runs it is more than likely that there will be a lot of lost motion in the incoming cable. By suitably arranging the cable on the lever, the motion can be regained.

Order #	4607-12	for 12 Volt
	4607-24	for 24 Volt

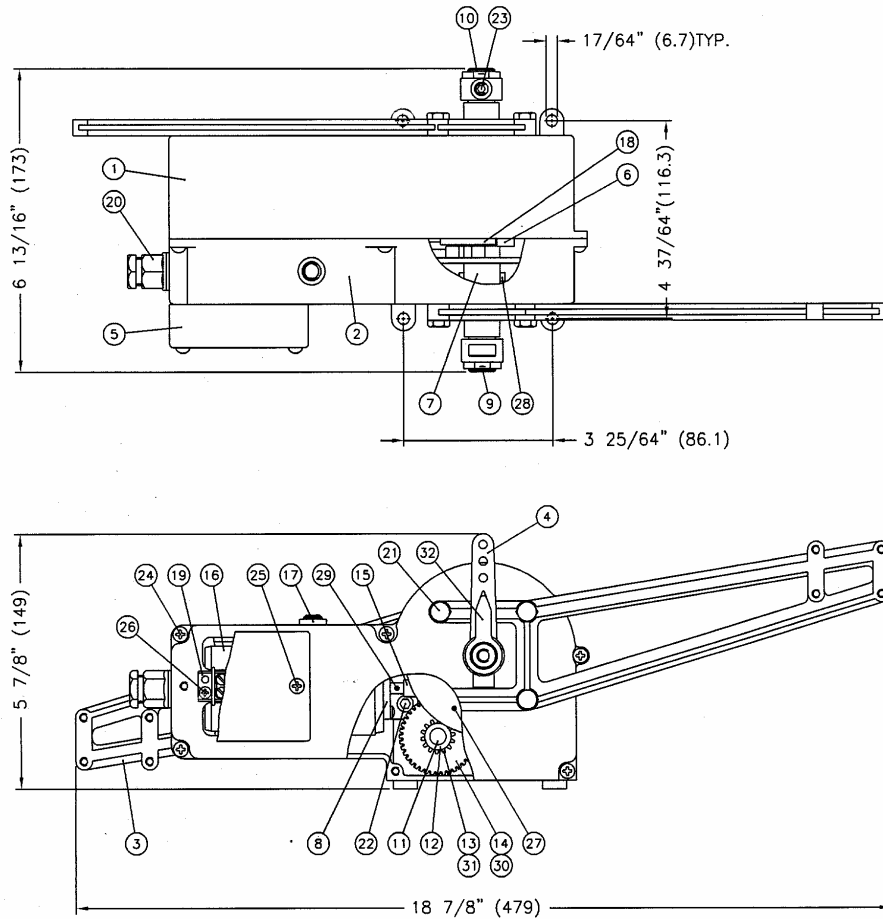
Cable Kits	4607-0901	30 series
------------	-----------	-----------

KOBELT MANUFACTURING
COMPANY LIMITED

4607-0902 40 series

DIMENSIONS AND PARTS LIST

MODEL 4607



All dimensions in inches (mm)

ITEM	QTY	PART NUMBER	DESCRIPTION	ITEM	QTY	PART NUMBER	DESCRIPTION
1	1	4607-0001	Housing	17	1	6009-8100	Mini Breaker W58-XB1A4A-3
2	1	4607-0002	Housing	18	2	6001-0104	Micro switch
3	2	4607-0003	Bracket	19	1	6009-0004	Connector - 4 way
4	2	4607-0004	Lever	20	1	6001-0248	Cable Gland
5	1	4607-0005	Cover	21	8	1001-1012	Hex Bolt
6	1	4607-0006	Gear	22	2	1002-1008	Hex Socket Cap Screw
7	1	4607-0007	Cam	23	2	1016-1104	Hex Socket Set Screw
8	1	4607-0008	Motor Bracket	24	6	1010-0808	Round Hd Phillips Screw
9	1	4607-0009	Input Shaft	25	2	1010-0820	Round Hd Phillips Screw
10	1	4607-0010	Output Shaft	26	6	1012-0606	Pan Hd Phillips Screw
11	1	4607-0011	Shaft	27	2	6001-0105	Micro switch Mounting Kit
12	1	4607-0012	Washer	28	2	1024-0814	Spring Pin
13	1	6524-0021	Pinion	29	1	1024-0406	Spring Pin
14	1	4607-0024	Worm Gear	30	2	1024-0512	Spring Pin
15	1	6531-0024	Worm Gear	31	1	1024-0410	Spring Pin
16	1	Motor-14202	Motor 14202E167-R1	32	2	4607-0026	Pointer