



Waste Evacuation Pump

Introducing the New Diaphragm Waste Evacuation Pump

- 360° rotating head for flexible installation
- Capable of extensive dry running
- Compact and simple design
- Filter-less design
- Quiet running
- Corrosion-resistant parts
- Complies with USCG 183.410 and ISO 8846 MARINE (ignition protection)



Jabasco is excited to introduce the NEW inline Diaphragm Waste Evacuation Pump designed specifically for use in the evacuation of holding tanks. With 1-1/2" (38mm) ports and no requirement for a pre-filter, black water can be moved easily at a flow rate of 5 gpm (19 lpm). The self-priming and dry running capabilities further enhance the synergy of this pump to the application, and the 360° rotating pump head allows the unit to be mounted in almost any position relative to the direction of the pipe work.



The 360° rotation on the pump head and the 360° flip rotation options give this pump true installation flexibility.

Specifications

Model	Description	Voltage	Amp Draw	Fittings	Flow	Head
50890-1000	Waste Pump	12 Volts	10A	1-1/2" (38mm)	5 gpm (19 lpm)	10 ft (3m)
50890-1100	Waste Pump	24 Volts	7A	1-1/2" (38mm)	5 gpm (19 lpm)	10 ft (3m)

Jabasco





Jabco Waste Evacuation Systems

Waste Pump

50890-100012 Volts
 50890-1100.....24 Volts

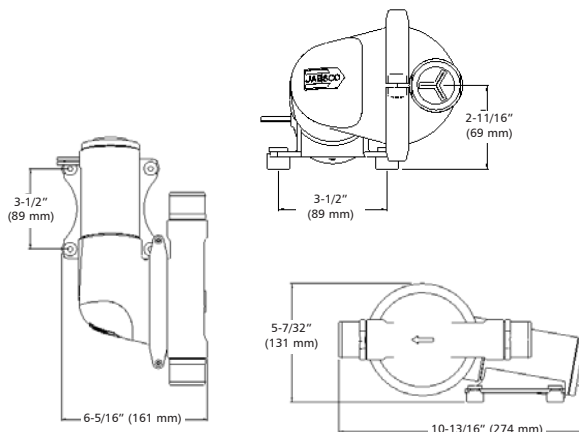
Specifications

Nominal Voltage..... 12/24 Volts

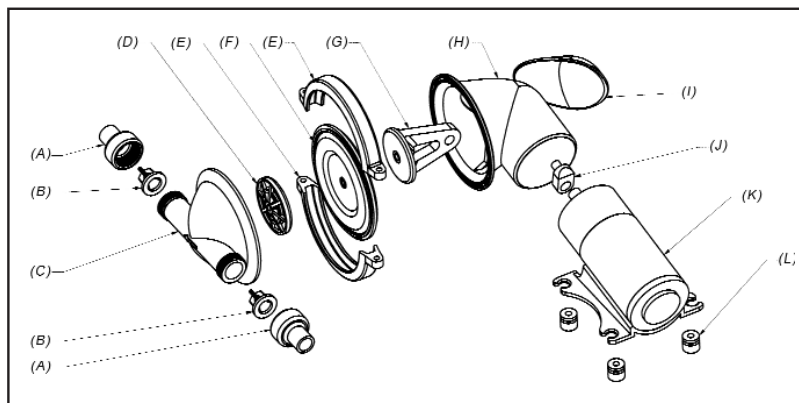
Amp Draw..... 15 Amp (12V)
7 Amp (24V)

Flow Rate..... 5 GPM (19 LPM)

Dimensional Drawings Inches (mm)



Exploded View



Key

- A 1-1/2" (38mm) ports
- B Joker valves
- C Pump chamber
- D Diaphragm plate
- E Diaphragm clamps
- F Diaphragm
- G Connecting rod
- H Motor / Diaphragm bracket
- I Bracket cover
- J Crank
- K Motor and gearbox
- L Rubber mounting feet

Jabco



www.jabco.com

USA
 Jabco
 1 Kondelin Road
 Gloucester, MA 01930
 Tel: 978 281 0440
 Fax: 978 281 2619

UK
 Jabco
 Bingley Road, Hoddesdon
 Hertfordshire EN11 0BU
 Tel: +44 (0) 1992 450145
 Fax: +44 (0) 1992 467132

CANADA
 Fluid Products Canada
 55 Royal Road
 Guelph, Ontario N1H 1T1
 Tel: 519 821 1900
 Fax: 519 821 2569

JAPAN
 NHK Jabco Company Ltd.
 3-21-10, Shin-Yokohama
 Kohoku-Ku, Yokohama, 222
 Tel: 045 475 8906
 Fax: 045 475 8908

GERMANY
 Jabco GmbH
 Oststrasse 28
 22840 Norderstedt
 Tel: +49-40-53 43 73 -0
 Fax: +49-40-53 53 73 -11

ITALY
 Jabco Marine Italia S.r.l.,
 Via Tommaso, 6,
 20059 Vimercate, Milano
 Tel: +39 039 6852323
 Fax: +39 039 666307

Warranty: All products of the company are sold and all services of the company are offered subject to the company's warranty and terms and conditions of sale, copies of which will be furnished upon request. The information provided herein is for guidance only, it does not constitute a guarantee of performance or specification of any individual product or component.