

5026-A

AIR APPLIED CALIPER DISC BRAKE



KEY BENEFITS

Bronze & stainless steel construction

Easily changed brake pads

Well matched to Kobelt's standard range of 4" x 7" ventilated discs

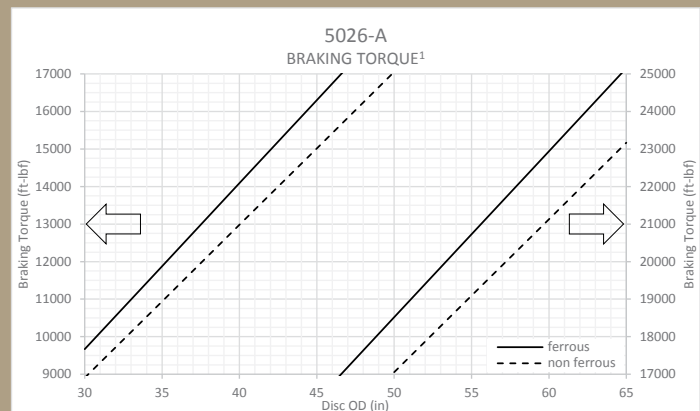
Putting you in control.

For over three decades, Kobelt has been manufacturing air applied disc brakes using a double diaphragm design for accurate braking control. Constructed of bronze and stainless steel, Kobelt's disc brakes are built to last in the harshest conditions.

Available with several options, these caliper disc brakes are well suited for service braking applications on drawworks, work boats and more.

SPECIFICATIONS

Normal Force:	13,970 lbs	[61.2 KN]
Maximum Pressure:	100 psi	[6.9 bar]
Port Size:	¼ NPT	
Actuator Volume:	60 in ³	[983 cc]
Temperature Range:	-40°F...+131°F -40°C...+55°C	
Disc Thickness:	4 in	[102 mm]
Minimum Disc Diameter:	30 in	[762 mm]
Maximum Disc Diameter ² :	61 in	[1549 mm]
Pad Life:	4770 hp-hr	[3562 kw-hr]
Weight:	202 lbs	[91.7 kg]

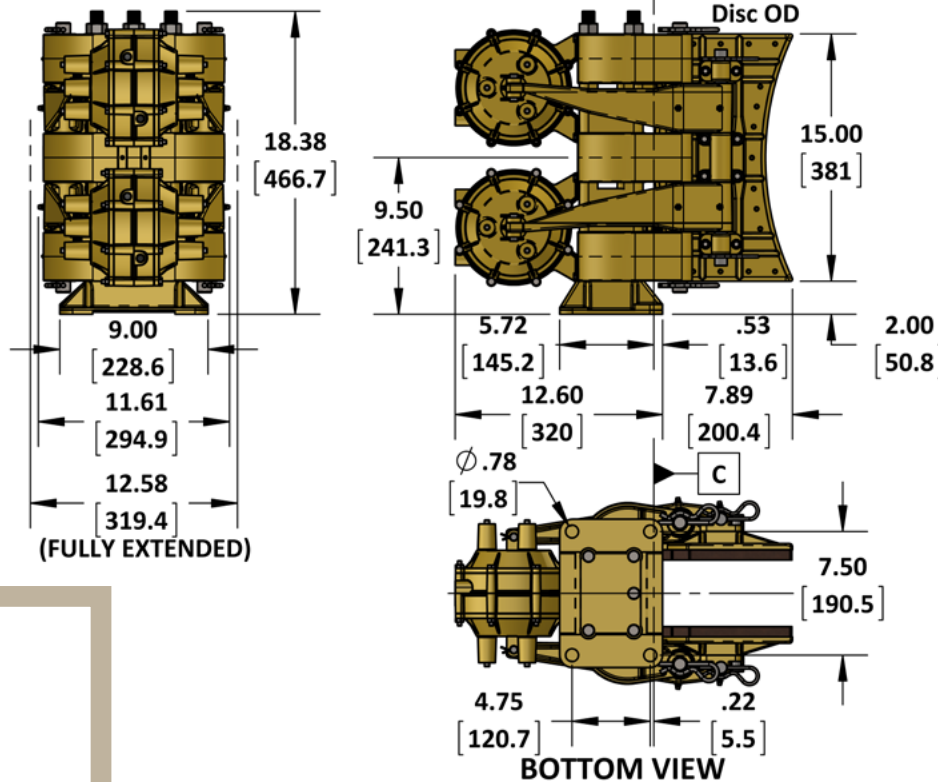


¹ Values in this chart are theoretical and for reference only. They are based on properly bedded and burnished linings acting on a ductile iron rotor at 20°C and manufactured to required specifications.

² Requires a minimum 7.28 in [185 mm] wide face.

SPECIFICATIONS

FOOT MOUNTED VERSION



Brake Model Code Key

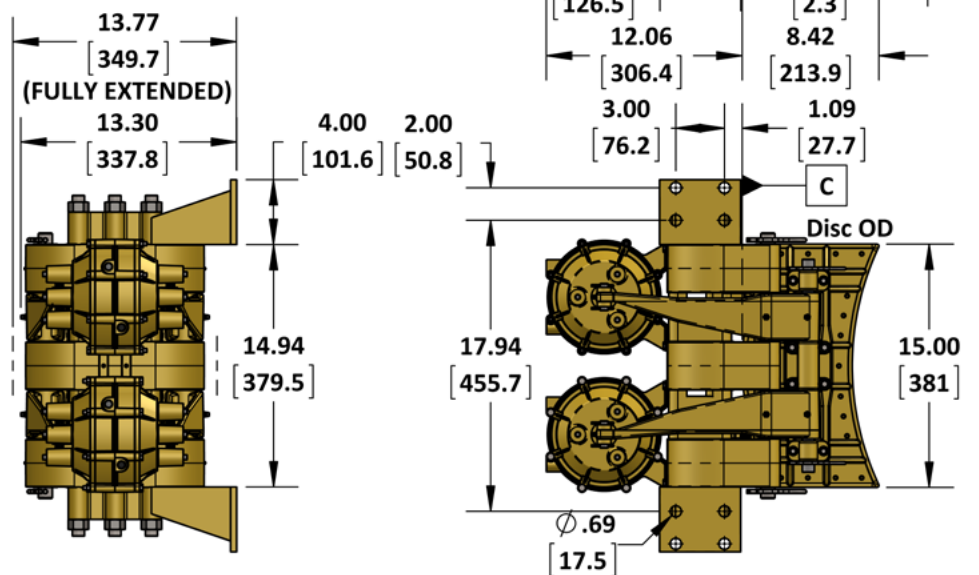
5026-A - -

Friction material
 (blank) = standard
 N = non-sparking
 C = low COF (.12-.15)
 E = mid COF (.25-.28)

Disc thickness
 (blank) = 4.000 in
 350 = 3.500 in
 300 = 3.000 in
 250 = 2.500 in
 200 = 2.000 in

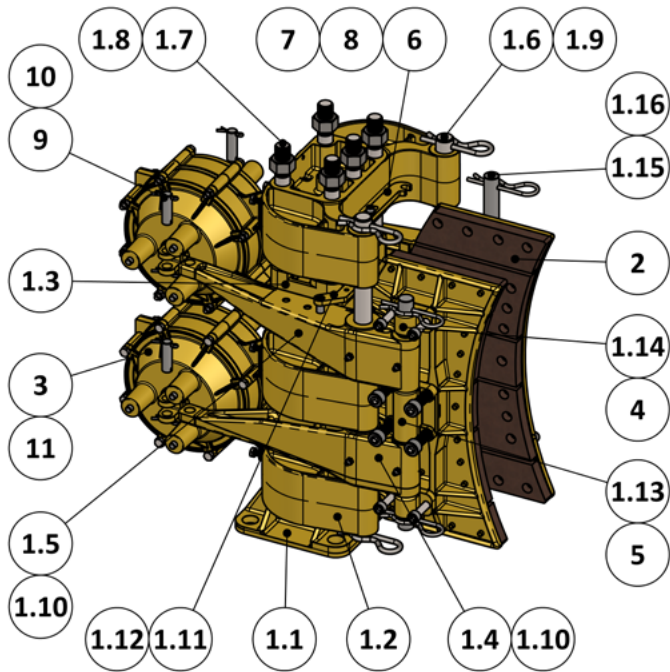
Mounting code
 (blank) = foot mounted
 W = side mounted

SIDE MOUNTED VERSION

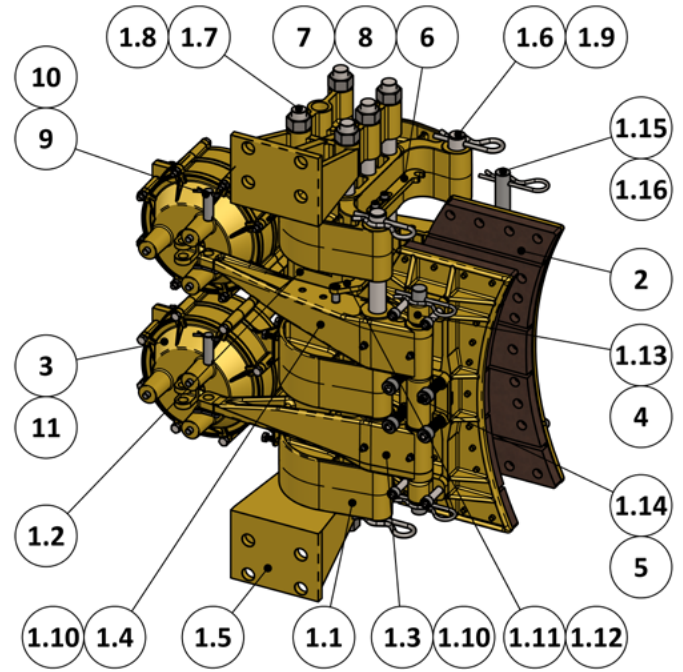


PARTS LISTING

5026-A Caliper Brake



5026-AW Caliper Brake

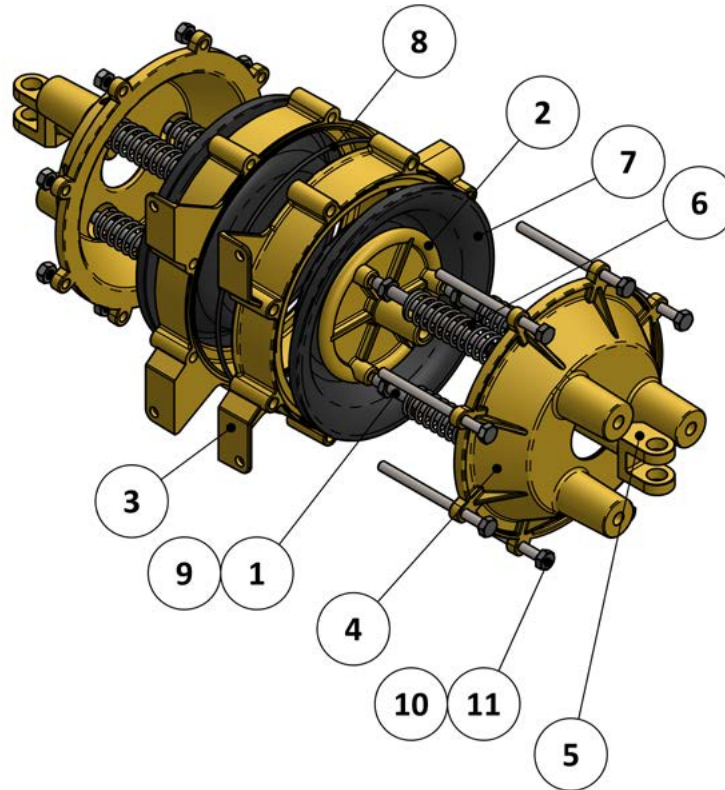


ITEM	QTY.	PART NUMBER	5026-A DESCRIPTION
1	1	5026-SUB	SUB-ASSEMBLY, 5026 CALIPER
1.1	1	5025-0001	FOOT, 5025/26 CALIPERS
1.2	3	5026-0002	SADDLE, 5025/5026 CALIPERS
1.3	2	5026-0003	SPACER, 5025 CALIPER
1.4	2	5026-0004-R	LEVER, RIGHT, 5026 CALIPER
1.5	2	5026-0004-L	LEVER ARM, LEFT, 5026 CALIPER
1.6	2	5026-0028	PIVOT PIN, 5026/28 CALIPERS
1.7	5	5027-0023	TIE ROD, 5026 & 5027 CALIPER
1.8	5	1022-0117	NUT, HEX, 3/4-10 UNC, Gr 18-8
1.9	4	1039-0470	HITCH PIN, 1/4 X 4-1/4, STEEL
1.10	8	1501-0301	GREASE NIPPLE, 1/4-28
1.11	2	5025-0011	BALANCING LINK, PIVOT END, 5026 CALIPER
1.12	2	5024-0026	LINK PIN, 5024 - 5026 CALIPERS
1.13	2	5026-0013	PIVOT BLOCK, CENTER, 5026 CALIPER
1.14	4	5026-0014	PIVOT BLOCK, OUTER, 5026 CALIPER
1.15	2	5026-0027	SHOE PIN, 5026 CALIPER
1.16	4	1039-0352	HITCH PIN, 5/16 X4, STEEL
2	2	5026-LS	SHOE ASSEMBLY, 5/8" K5, 5026 CALIPER
3	2	6120	AIR APPLIED ACTUATOR, 6120
4	8	1002-1220	SCREW, SKT HD, 3/8-16 UNC X 1-1/4, SS
5	8	1002-1420	SCREW, SKT HD, 1/2-13 UNC X 1-1/4, SS
6	2	5025-0012	BALANCING LINK, FORK END, 5026 CALIPER
7	4	1023-0232	WASHER, FLAT, TYPE B NARROW, 1/4 in
8	4	1002-1010	SHCS, 1/4-20 UNC X 5/8 LG, 18-8 SS
9	4	6230-0010	CLEVIS PIN, 1/2" DIA
10	8	1026-0516	COTTER PIN, 1/8" X 1", SS
11	8	1001-1008	SCREW, HEX HD, 1/4-20 UNC X 1/2, SS

ITEM	QTY.	PART NUMBER	5026-AW DESCRIPTION
1	1	5026-SUB-W	SUB-ASSEMBLY, 5026 CALIPER
1.1	3	5026-0002	SADDLE, 5025/5026 CALIPERS
1.2	2	5026-0003	SPACER, 5025 CALIPER
1.3	2	5026-0004-R	LEVER, RIGHT, 5026 CALIPER
1.4	2	5026-0004-L	LEVER ARM, LEFT, 5026 CALIPER
1.5	2	5026-0060	FOOT (SIDEWALL MOUNT), 5026 CALIPER
1.6	2	5026-0028	PIVOT PIN, 5026/28 CALIPERS
1.7	5	5026-0124	TIE ROD, 5026 & 5027 CALIPER
1.8	10	1022-0117	NUT, HEX, 3/4-10 UNC, Gr 18-8
1.9	4	1039-0470	HITCH PIN, 1/4 X 4-1/4, STEEL
1.10	8	1501-0301	GREASE NIPPLE, 1/4-28
1.11	2	5025-0011	BALANCING LINK, PIVOT END, 5026 CALIPER
1.12	2	5024-0026	LINK PIN, 5024 - 5026 CALIPERS
1.13	4	5026-0014	PIVOT BLOCK, OUTER, 5026 CALIPER
1.14	2	5026-0013	PIVOT BLOCK, CENTER, 5026 CALIPER
1.15	2	5026-0027	SHOE PIN, 5026 CALIPER
1.16	4	1039-0352	HITCH PIN, 5/16 X4, STEEL
2	2	5026-LS	SHOE ASSEMBLY, 5/8" K5, 5026 CALIPER
3	2	6120	AIR APPLIED ACTUATOR, 6120
4	8	1002-1220	SCREW, SKT HD, 3/8-16 UNC X 1-1/4, SS
5	8	1002-1420	SCREW, SKT HD, 1/2-13 UNC X 1-1/4, SS
6	2	5025-0012	BALANCING LINK, FORK END, 5026 CALIPER
7	4	1023-0232	WASHER, FLAT, TYPE B NARROW, 1/4 in
8	4	1002-1010	SHCS, 1/4-20 UNC X 5/8 LG, 18-8 SS
9	4	6230-0010	CLEVIS PIN, 1/2" DIA
10	8	1026-0516	COTTER PIN, 1/8" X 1", SS
11	8	1001-1008	SCREW, HEX HD, 1/4-20 UNC X 1/2, SS

PARTS LISTING

6120 Actuator



ITEM	QTY.	PART NUMBER	6120 DESCRIPTION
1	6	6120-0005	GUIDE PIN, 6120 ACTUATOR
2	2	6120-0004	DIAPHRAGM WASHER, 6120 ACTUATOR
3	2	6120-0003	CENTRE HOUSING, 6120 ACTUATOR
4	2	6120-0002	END CAP, 6120 ACTUATOR
5	2	6120-0001	CLEVIS, 6120 ACTUATOR
6	6	1201-0185	SPRING, COMPRESSION, .830 OD X .080 WIRE X 4.43 L
7	2	1105-0020	DIAPHRAGM, NO. 20 SIZE
8	1	1101-2166	O-RING, 6-3/4 ID X 3/32 THK, NBR70
9	6	1022-0211	NUT, JAM, 5/16"-18 UNC, SS
10	8	1022-0110	NUT, HEX, 1/4-20 UNC, SS
11	8	1001-1056	BOLT, HX HD, 1/4-20 UNC X 3.5", SS

Note: Parts lists are applicable to standard models only.