

**MODEL 3009
SHUTTLE or
2-WAY CHECK VALVE**

The 3009 Shuttle Valve directs air flow from one of the two possible inputs to a single output while preventing any air flow through the second input.

The 3009 contains only one moving part, viz. the shuttle. The shuttle shifts when the pressure on one input exceeds the other.

Weight: 0.4 lb (190 g.)

Material: Die cast silicon bronze and stainless steel.

Operating Temp. Range: -40°C to +90°C

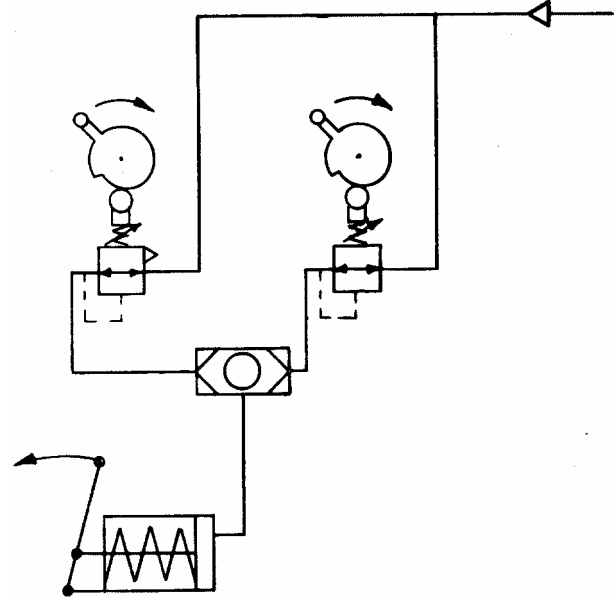
Pipe Port Size: ¼" NPT

Flow Capacity: ¼" Orifice Equivalent

Maximum Operating Pressure: 200 PSI (13.8 bar)

Important: Shuttle valves must be mounted horizontally.

Typical Shuttle Valve Application

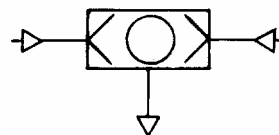


**TWO STATION REMOTE CONTROL OF
ACTUATOR POSITIONER WITHOUT
STATION SELECTOR CIRCUITRY**

In this circuit the station not in use must be left in the "off" position.

Note that a Shuttle Valve must be used. A simple "Tee" would not suffice as the operating signal from one pressure control head would pass out the exhaust port of the other.

SCHEMATIC SYMBOL



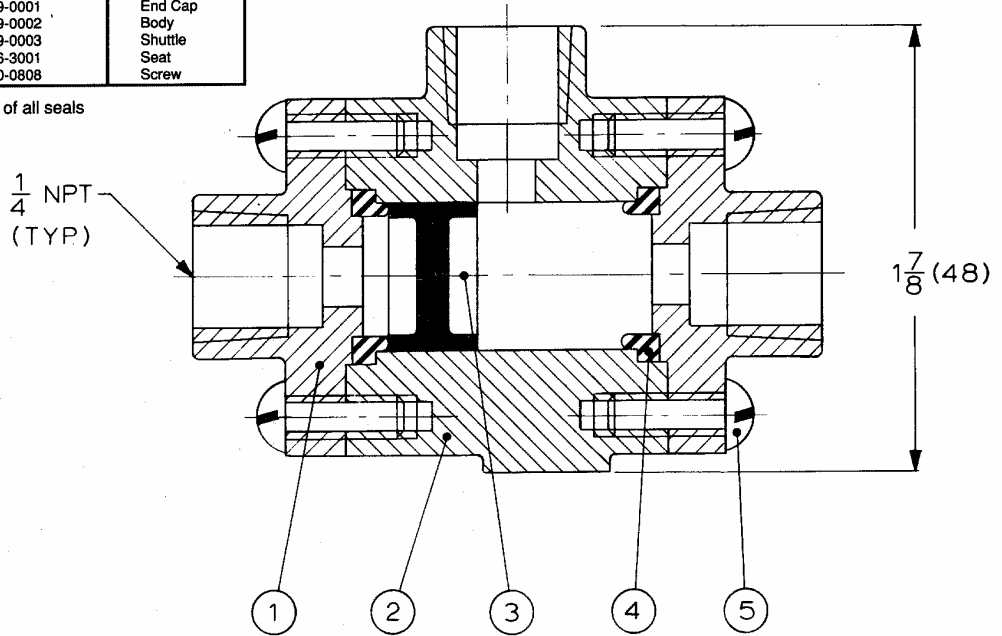
Ordering Number: 3009

DIMENSIONS AND PARTS LIST MODEL 3009

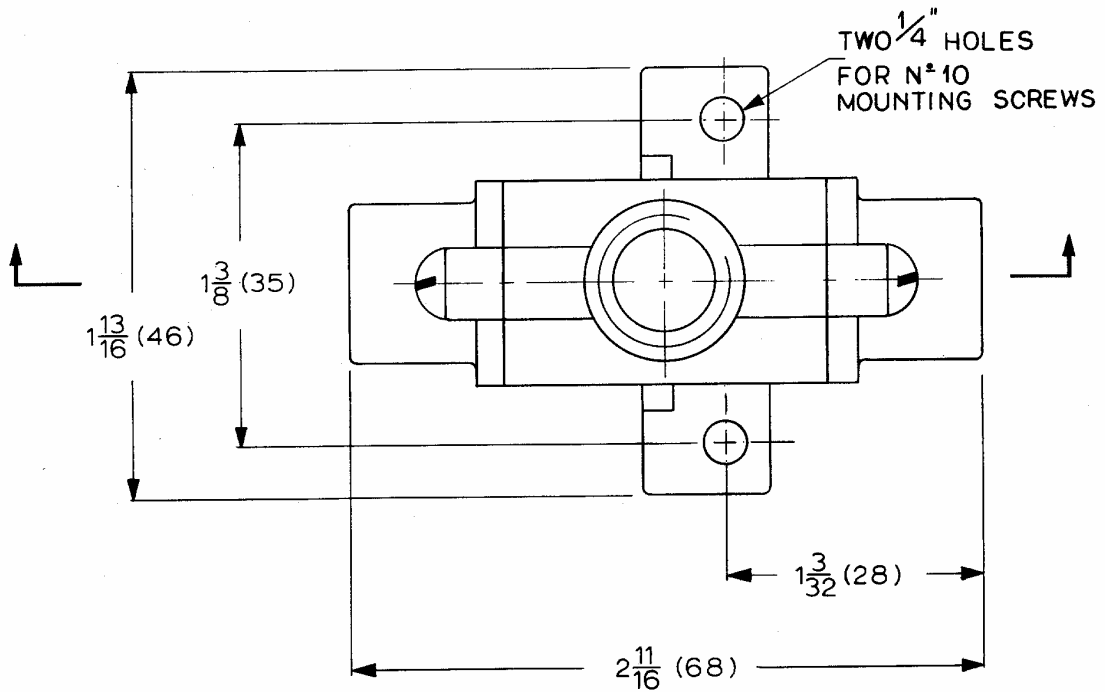
3009

ITEM	QUANTITY	PART NUMBER	DESCRIPTION
1	2	3009-0001	End Cap
2	1	3009-0002	Body
3	1	3009-0003	Shuttle
4	2	1106-3001	Seat
5	4	1010-0808	Screw

A Repair Kit is available consisting of all seals
Ordering No. 3009-RK



ALL DIMENSIONS IN INCHES (MM)



Note: Shuttle valve must be mounted horizontal.