

# P773-3

For Models: M773LW3 and NL773LW3

# PARTS CATALOG

Marine Generators | Marine Diesel Engines | Land-Based Generators



**NORTHERN LIGHTS**





— CALIFORNIA —  
Proposition 65 Warning:

*Diesel engine exhaust and some of its constituents are known to the State of California to cause cancer, birth defects, and other reproductive harm.*

**Northern Lights**  
4420 14th Avenue N.W.  
Seattle, WA 98107  
Tel: (206) 789-3880  
Fax: (206) 782-5455

Copyright ©2016 Northern Lights, Inc.  
All rights reserved. Northern Lights™, and  
the Northern Lights logo are trademarks of  
Northern Lights, Inc.

Printed in U.S.A.  
PART NO.: P773-3 05/16



**NORTHERN LIGHTS**

# PARTS CATALOG

for Models

M773LW3 and NL773LW3

*Please read thoroughly before attempting to use this manual:*

Table of Contents .....	1
Model Designation & Serial Numbers .....	2
Reading a Parts Page .....	3

## Table of Contents

### GROUP 1 - ENGINE

Cylinder Block Assembly .....	0 - 3
Crankshaft Assembly .....	4 - 5
Oil Drain and Valve .....	6
Oil Pump & Pick-up .....	7
Camshaft .....	8
Cylinder Head .....	9
Rocker Arm Cover & Assembly .....	11 - 13

### GROUP 2 - INTAKE & EXHAUST SYSTEM

Air Filter & Housing .....	0 - 1
Muffler .....	2

### GROUP 3 - COOLING

Coolant Recovery Tank .....	1
Heat Exchanger & Exhaust Manifold .....	2 - 3
Coolant Pump .....	4 - 5
Raw Water Pump & Mounting .....	6
Raw Water Pump Assembly .....	7
Radiator & Guard .....	8 - 9

### GROUP 4 - FUEL SYSTEM

Injection Pump & Lines .....	0 - 1
Governor & Timing Gear Case .....	2 - 5
Fuel Filter & Piping .....	6 - 7
Fuel Line Connection .....	8
Fuel Lines plumbed to Base Pan .....	9
Fuel Injector .....	10
Fuel Feed Pump .....	11

### GROUP 5 - ELECTRICAL SYSTEM

12 & 24 Volt, Standard & Isolated Ground	0 - 15
Starter & Alternator .....	16 - 17
Alternator Mounting & Assembly .....	18
Starter, Alternator, & Flywheel Housing .....	19
Control Panels .....	20 - 31
Belt Guard Assembly .....	32 - 33

### GROUP 6 - GASKET SETS

Gasket Sets .....	0
-------------------	---

### GROUP 7 - GEAR AND ADAPTER SETS

Not available at this time.

### GROUP 8 - FRAME & MOUNTING

Base Frame Assembly .....	1 - 2
Steel Base Pan with Mounting .....	4 - 5

### GROUP 9 - ACCESSORIES & OPTIONAL EQUIPMENT

Oil Drain Kit .....	1
Keel Cooling Conversion Kit .....	2

#### Proprietary Information

This publication is the sole property of Northern Lights, Inc.

It may not be reproduced in whole or part without the expressed written permission of Northern Lights, Inc.

© Northern Lights, Inc. 2010 All rights reserved. Litho U.S.A. Publication number: P773-3 05/16

## Model Designation

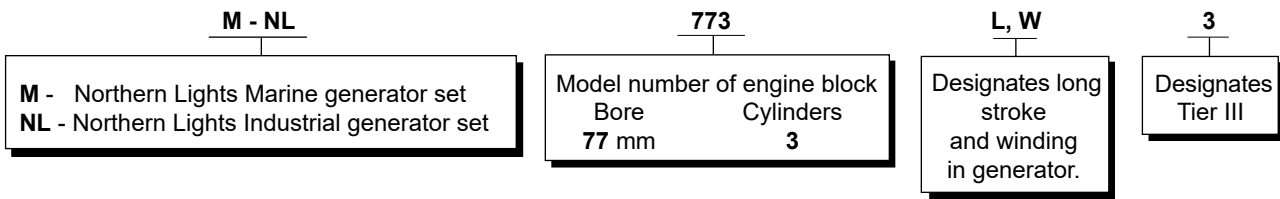
### MODELS INCLUDED

This manual covers the operating instructions for:

### M773LW3 and NL773LW3

## Model Numbers

Model numbers give the unit's application, block model, aspiration, and RPM:

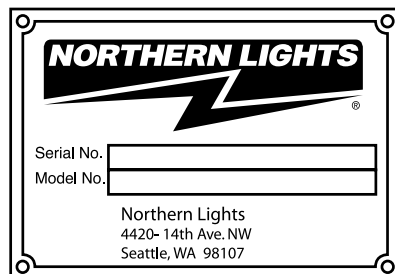


**M773LW3** = Northern Lights marine diesel generator set with an 773 engine and a PX-309K2 generator with a different winding, Tier III.

**NL773LW3** = Northern Lights industrial diesel generator set with an 773 engine and a PX-309K2 generator with a different winding, Tier III.

## Serial Numbers

Your set has three serial numbers: ① an engine number stamped on the block, ② a generator plate and, ③ a generator set plate. Use the serial number on the **generator set plate** when ordering parts or in correspondence. The generator set plate is found on the service side of the generator and resembles the drawing below.



## Reading a Parts Page

### IMPORTANT:

Before selecting parts, be sure that you are choosing parts from the correct page.  
Check the model designation at the page top.  
*Do not use this illustration for parts purchasing.*

1 ELECTRICAL SYSTEM

**ALTERNATOR ASSEMBLY: M - NL773**

KEY	PART NUMBER	QTY.	DESCRIPTION	SERIAL NUMBER
0	185046210	1	Alternator Assembly	-
1	185446219	1	Flywheel, complete	-
2	185446217	1	Plate, complete	-
3	185716200	1	Plate	-
4	185446218	1	Stator, complete	-
5	040126210	2	Bearing	-
6	020210010	1	Nut	-
7	027100010	1	Spring washer	-
8	026100010	1	Washer	-
9	185446220	1	Clamp	-
10	015140408	1	Screw	-
11	015140425	2	Screw	-
12	199236510	1	Collar	-

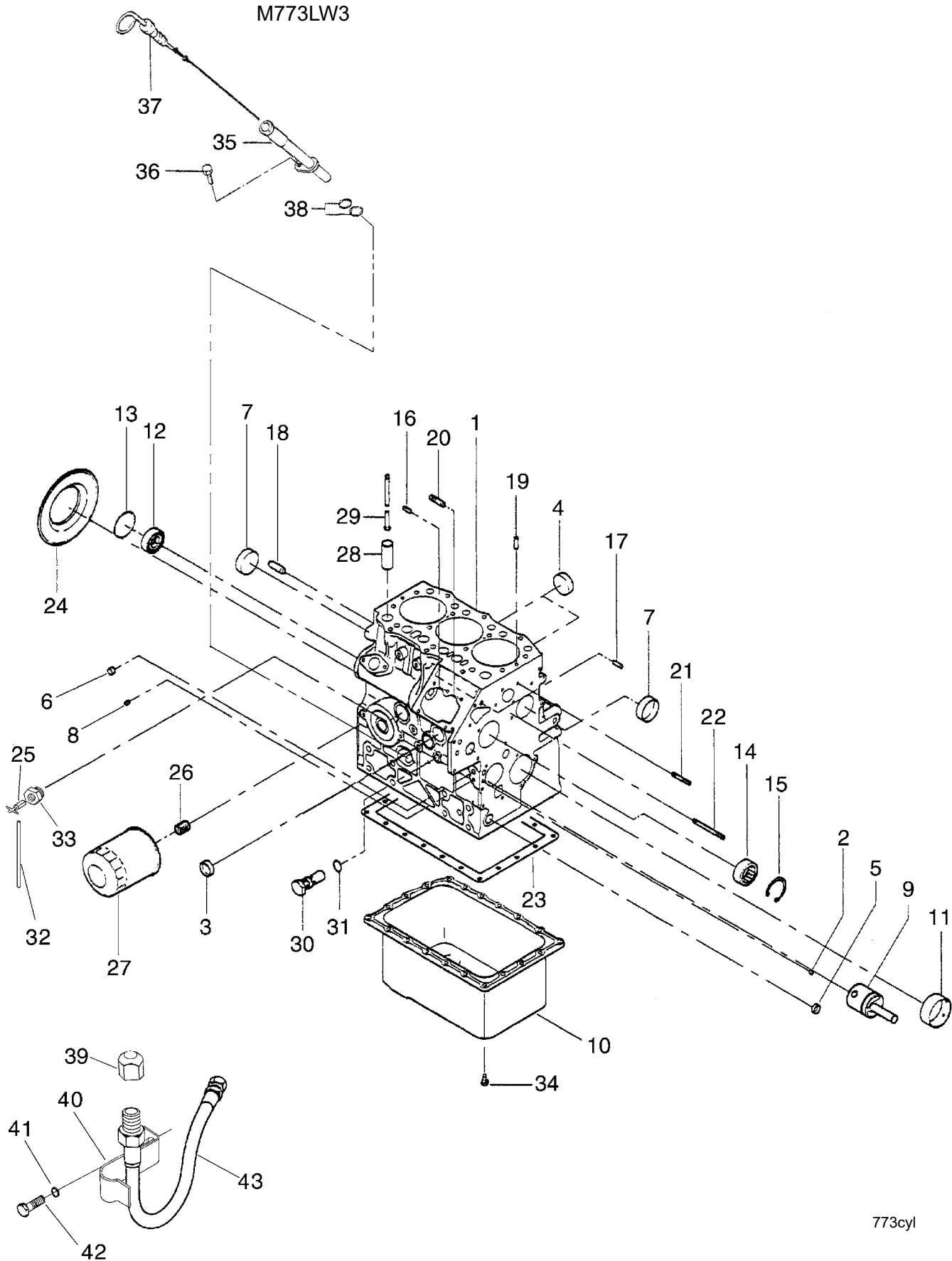
P773 06/02

### REFERENCES:

1. Grouping section title.
2. Model designation of equipment that uses parts listed on this page.
3. Title and description of assembly.
4. Drawing numbers that correspond to key column numbers for parts identification.
5. Key column for locating parts shown on drawing.
6. Part number.
7. Quantity of parts used.
8. Description of each component part.
9. Serial number of unit the part fits.
10. Assembly or kit designated by •• or •.
11. Grouping index number.
12. Page number within the grouping index.
13. Manual title.
14. Page publication date.

**NOTE:** ⇨ Arrows always point toward the front of the engine.

# Cylinder Block Assembly



773cyl

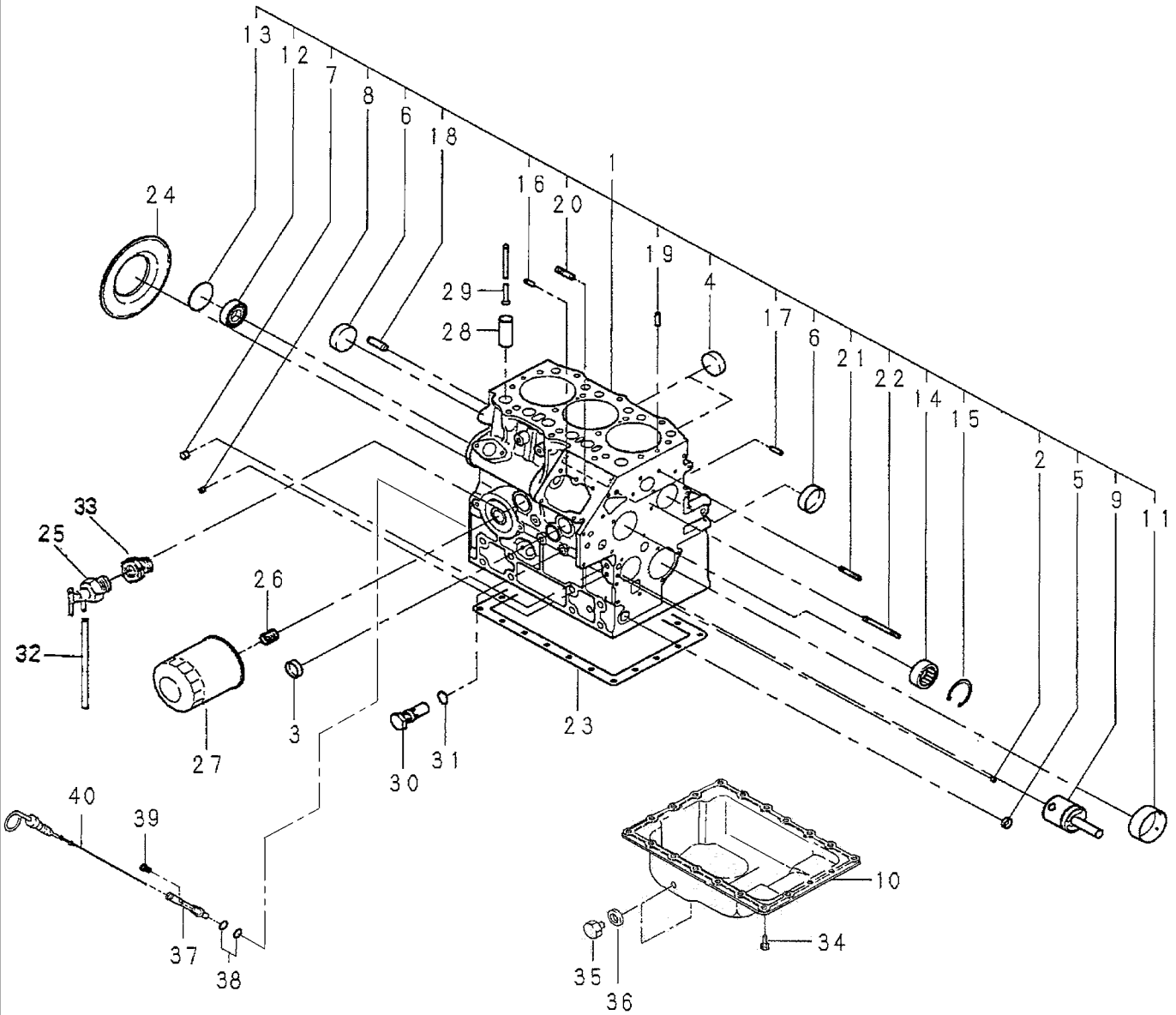
## Cylinder Block Assembly

M773LW3

KEY	PART NUMBER	QTY	DESCRIPTION	S/N
1	110103541	1	Cylinder Block Assembly (Includes keys #2 - #21)	-
2	198466050	1	Plug	-
3	064210025	1	Expansion Plug, 25 mm	-
4	064210035	2	Expansion Plug, 35 mm	-
5	064210015	1	Expansion Plug, 15 mm	-
6	198466010	4	Plug	-
7	064210040	2	Expansion Plug, 40 mm	-
8	198466030	4	Plug	-
9	165296142	1	Idle Gear Shaft Assembly	-
10	110708620	1	Oil Pan (Use with drain hose #43)	up to S/N xxxxx-46361C
	110701250	1	Oil Pan (Use with oil drain valve-See parts detail pg.1-6)	from S/N xxxxx-46362C
11	198517592	1	Bushing; S.T.D.	-
	198517596	1	Bushing; U.S. 0.25	-
	198517599	1	Bushing; U.S. 0.50	-
12	040106203	1	Bearing	-
13	064100045	1	Expansion Plug, 45 mm	-
14	042303015	1	Bearing	-
15	036509005	1	Snap Ring	-
16	030500512	2	Dowel Pin	-
17	030500616	2	Dowel Pin	-
18	030501025	2	Dowel Pin	-
19	030309005	2	Spring Pin	-
20	012100620	2	Stud	-
21	012100635	1	Stud	-
22	012110660	1	Stud	-
23	110996800	1	Gasket	-
24	050209107	1	Oil Seal	-
25	198736050	1	Drain Cock	-
26	140546020	1	Joint	-
27	24-02001	1	Oil Filter	-
28	120116160	6	Tappet	-
29	120456222	6	Push Rod	-
30	140036220	1	Relief Valve Assembly	-
31	052109078	1	O-ring	-
32	068115200	1	Tube	-
33	198486770	1	Bushing	-
34	010109235	20	Capscrew, Hex Head M6 x 1.0 x 14 mm (with Lock Washer)	-
35	110756490	1	Dipstick Tube	-
36	011310612	1	Bolt	-
37	198416270	1	Dipstick	-
38	052109113	2	O-ring	-
39	21-00003	1	Cap	-
40	23-78601	1	Bracket	-
41	15-00302	1	Lock Washer 3/8	-
42	12-00311	1	Capscrew, Hex Head 3/8-16 x 3/4"	up to S/N xxxxx-46361C
43	18-72004	1	Oil Drain Hose	-

# Cylinder Block Assembly

NL773LW3



NL773cylblock

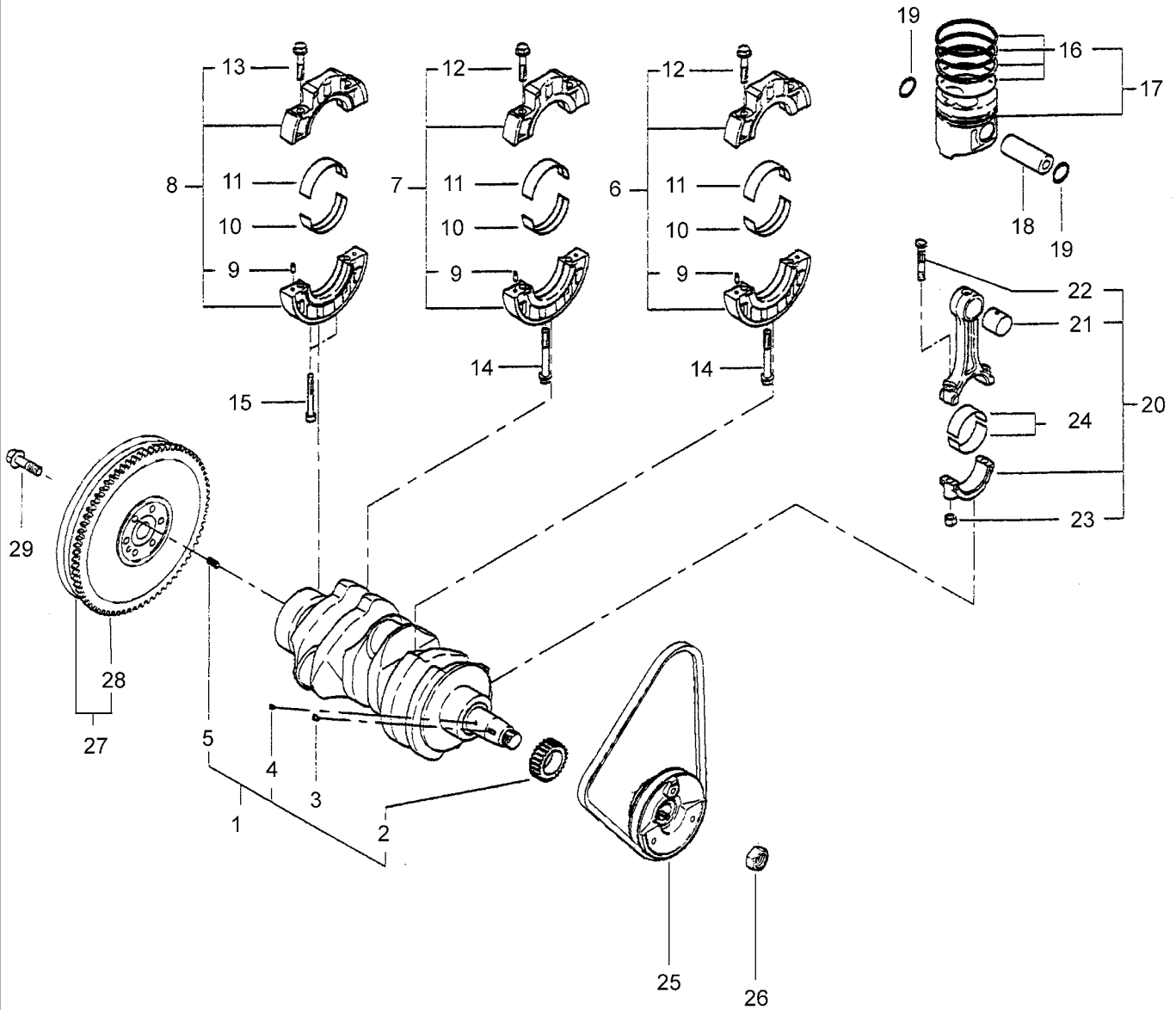


## Cylinder Block Assembly

NL773LW3

KEY	PART NUMBER	QTY	DESCRIPTION	SERIAL NUMBER
1	110101520	1	Cylinder Block Assembly - (includes keys #2- 21)	-
2	198466050	1	Plug	-
3	064210025	1	Expansion Plug, 25 mm	-
4	064210035	2	Expansion Plug, 35 mm	-
5	064210015	1	Expansion Plug, 15 mm	-
6	064210040	2	Expansion Plug, 40 mm	-
7	198466010	4	Plug	-
8	198466030	4	Plug	-
9	165296142	1	Idle Gear Shaft	-
10	110701110	1	Oil Pan	-
11	198517592	1	Bushing, Standard	-
	198517596	1	Bushing, Undersize 0.25 mm	-
	198517599	1	Bushing, Undersize 0.50 mm	-
12	040306203	1	Bearing	-
13	064100045	1	Expansion Plug, 45 mm	-
14	042303015	1	Needle Bearing	-
15	036509005	1	Snap Ring	-
16	030500512	2	Dowel Pin	-
17	030500616	2	Dowel Pin	-
18	030501025	2	Dowel Pin	-
19	030309005	2	Spring Pin	-
20	012110620	2	Stud Bolt	-
21	012110635	1	Stud Bolt	-
22	012110660	1	Stud Bolt	-
23	110996800	1	Gasket	-
24	050209107	1	Oil Seal	-
25	198736050	1	Drain Cock	-
26	140546020	1	Filter Joint	-
27	24-02001	1	Oil Filter	-
28	120116160	6	Tappet	-
29	120456222	6	Push Rod	-
30	140036220	1	Relief Valve Assembly	-
31	052109078	1	O-ring	-
32	068115200	1	Tube	-
33	198486770	1	Bushing	-
34	010109235	20	Bolt	-
35	010109238	2	Plug	-
36	025100016	2	Seal Washer	-
37	110756490	1	Dipstick Tube	-
38	052109113	2	O-ring	-
39	011310612	1	Bolt	-
40	198416270	1	Dipstick	-

# Crankshaft Assembly



773crankshaft

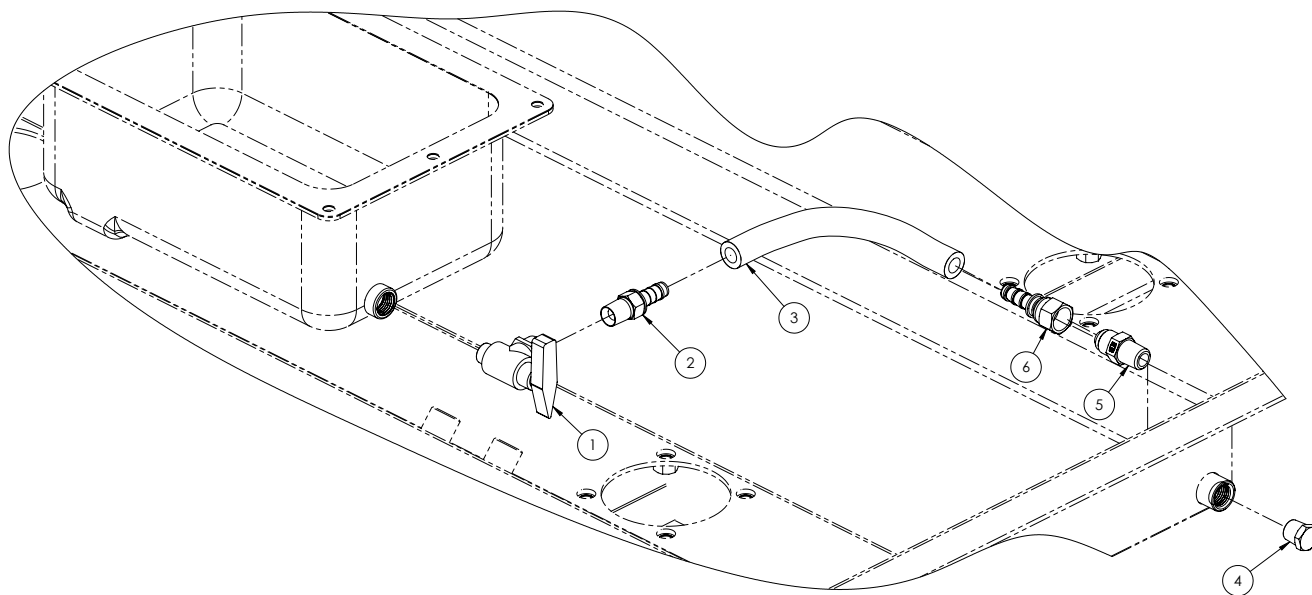
## Crankshaft Assembly

KEY	PART NUMBER	QTY	DESCRIPTION	SERIAL NUMBER
1	115256830	1	Crankshaft Assembly (includes keys #2 - 5)	-
2	115276180	1	Crankshaft Gear	-
3	034100508	1	Key	-
4	030509020	1	Dowel Pin	-
5	030300816	1	Spring Pin	-
6	110156400	1	Bearing Holder Assembly (includes keys #9 & 12)	-
7	110156410	1	Bearing Holder Assembly (includes keys #9 & 12)	-
8	110156420	1	Bearing Holder Assembly (includes keys #9 & 13)	-
9	030500612	6	Dowel Pin	-
10	198517582	3	Bearing; Lower S.T.D.	-
	198517586	3	Bearing; Lower U.S. 0.25 mm	-
	198517589	3	Bearing; Lower U.S. 0.50 mm	-
11	198517572	3	Bearing; Upper S.T.D.	-
	198517576	3	Bearing; Upper Undersized 0.25 mm	-
	198517579	3	Bearing; Upper Undersized 0.50 mm	-
12	010810840	4	Bolt	-
13	010810845	2	Bolt	-
14	011510840	2	Bolt	-
15	010700835	2	Bolt	-
16	115107900	3	Ring Kit; S.T.D.	-
	115107430	3	Ring Kit; Oversized 0.50 mm	-
17	115017460	3	Piston Kit; S.T.D.	-
	115017450	3	Piston Kit; Oversized 0.50 mm	-
18	115326231	3	Piston Pin	-
19	036500021	6	Snap Ring	-
20	115026340	3	Connecting Rod Assembly (includes keys #21 - 23)	-
21	198517125	3	Bushing	-
22	115176150	6	Connecting Rod Bolt	-
23	020109075	6	Nut	-
24	198517602	6	Bearing; S.T.D.	-
	198517606	6	Bearing; Undersized 0.25	-
	198517609	6	Bearing; Undersized 0.50	-
25	115396650	1	Crankshaft Pulley	-
26	020800018	1	Nut	-
27	115356720	1	Flywheel Assembly (includes key #28)	-
28	115376130	1	Ring Gear, 96 Teeth	-
29	010109340	6	Bolt	-

GROUP 1 – ENGINE

**Kit, Oil Drain and Valve**

M773LW3 From S/N xxxx-4632C



b-9826

KEY	PART NUMBER	QTY	DESCRIPTION	S/N
1	36-72012	1	Ball valve, Brass 90 Deg 1/4NPT Male X 1/4NPT Female	-
2	21-71203	1	Male Connector Brass 1/4NPT X 3/8HB Push-On	-
3	18-71207	1	Hose 3/8"ID X 7" Push-On	-
4	21-31624	1	Plug, Hex Head, Brass 1/4NPT	-
5	21-00612	1	Male Connector, Stl. 1/4NPT X 3/8-37T	-
6	21-71034	1	Female Swivel, Brass. 3/8HB X 3/8-37T Push-On	-

**Notes**

GROUP 1 – ENGINE

Oil Pump & Pick-up

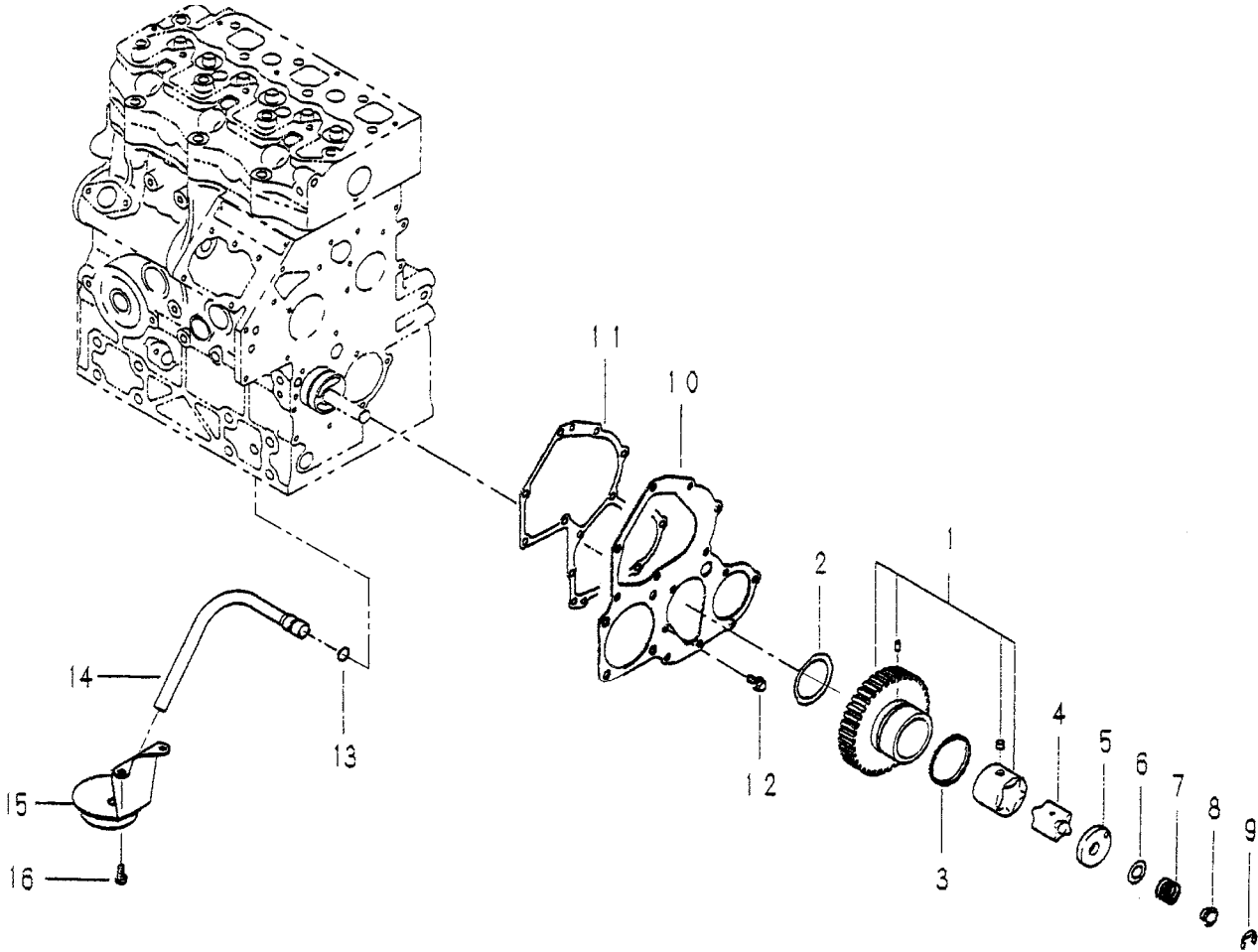


Fig. 1-4

KEY	PART NUMBER	QTY	DESCRIPTION	SERIAL NUMBER
1	165026101	1	Idle Gear Assembly (former # 165026100)	-
2	199266180	1	Thrust Washer	-
3	198216821	1	Spring	-
4	140166130	1	Rotor	-
5	140116140	1	Oil Pump Cover	-
6	199286150	**	Shim, 0.1 mm	-
	199286160	**	Shim, 0.15 mm	-
	199286170	**	Shim, 0.2 mm	-
	199286180	**	Shim, 0.5 mm	-
7	198216720	1	Spring	-
8	199236540	1	Collar	-
9	036800010	1	Snap Ring	-
10	165166240	1	Front Plate (Marine)	-
	165166191	1	Front Plate (Industrial)	-
11	165996520	1	Gasket	-
12	011310612	3	Bolt	-
13	052109076	1	O-ring	-
14	140986830	1	Oil Pipe	-
15	140406500	1	Pick-up	-
16	011310612	2	Bolt	-
			**As required	

Camshaft

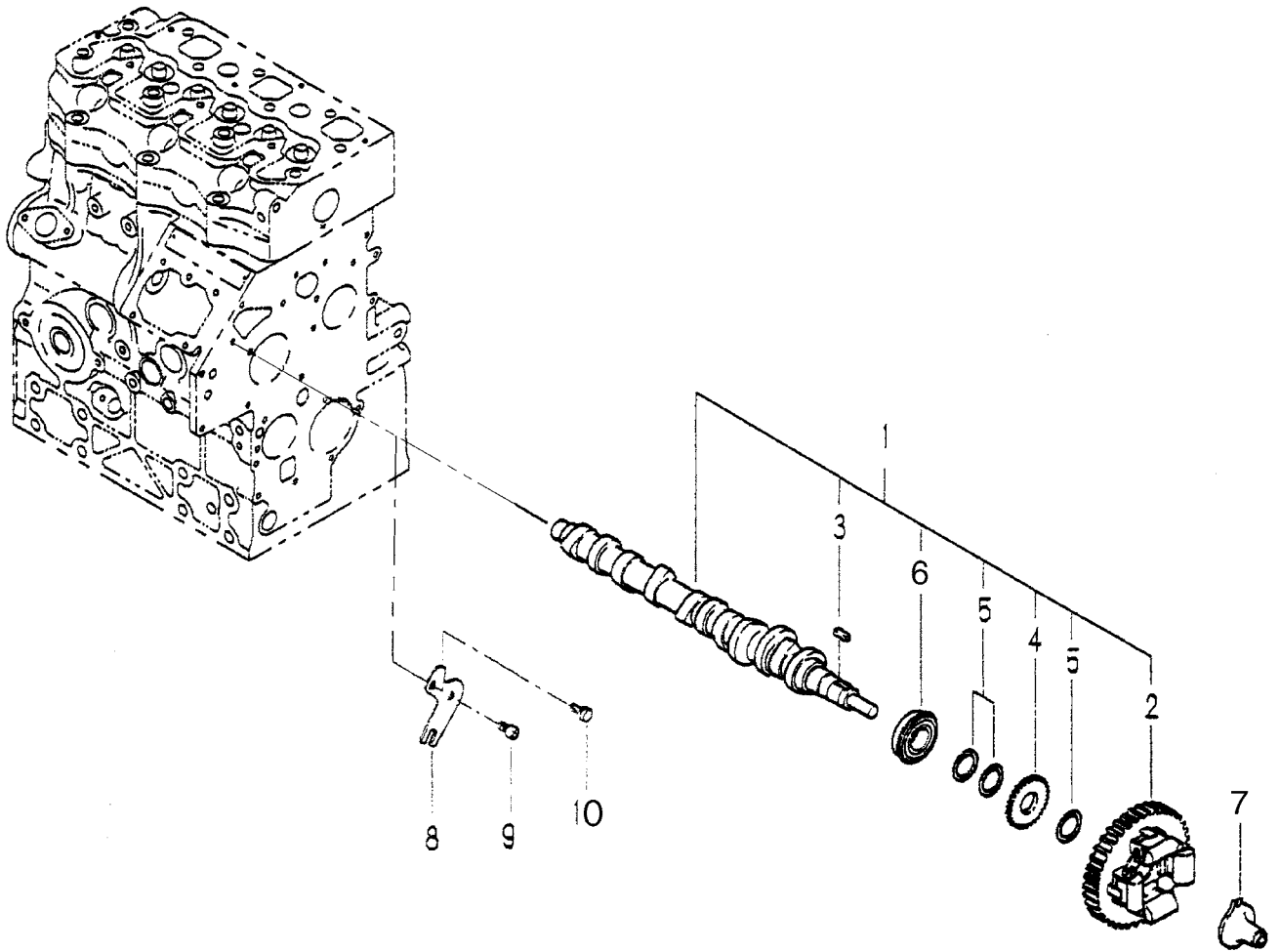
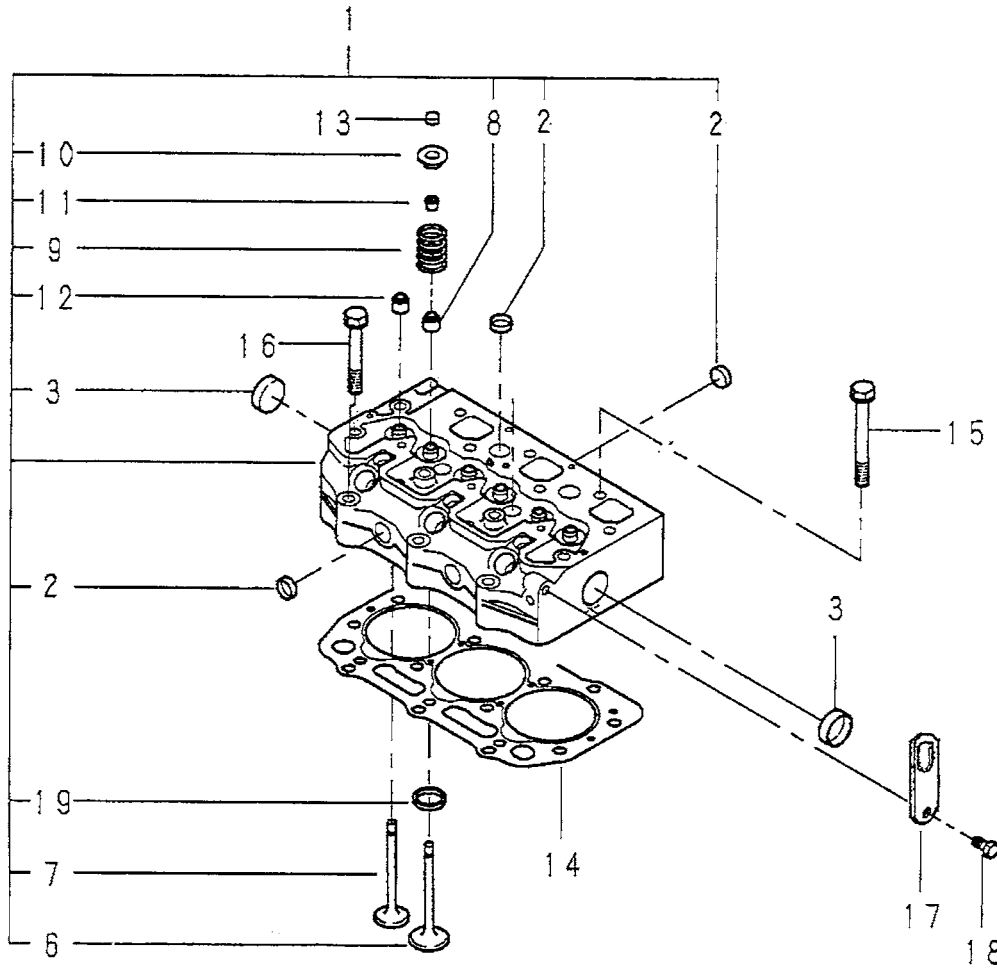


Fig. 1-5

KEY	PART NUMBER	QTY	DESCRIPTION	SERIAL NUMBER
1	120026830	1	Cam Shaft Assembly (includes keys #2- 6)	-
2	120016021	1	Cam Gear Assembly	-
3	034100508	1	Key	-
4	120736081	1	Gear	-
5	199216230	3	Spacer	-
6	040109059	1	Bearing	-
7	125256120	1	Slider	-
8	199566651	1	Plate	-
9	010700610	1	Bolt	-
10	011310612	1	Bolt	-

**Cylinder Head**

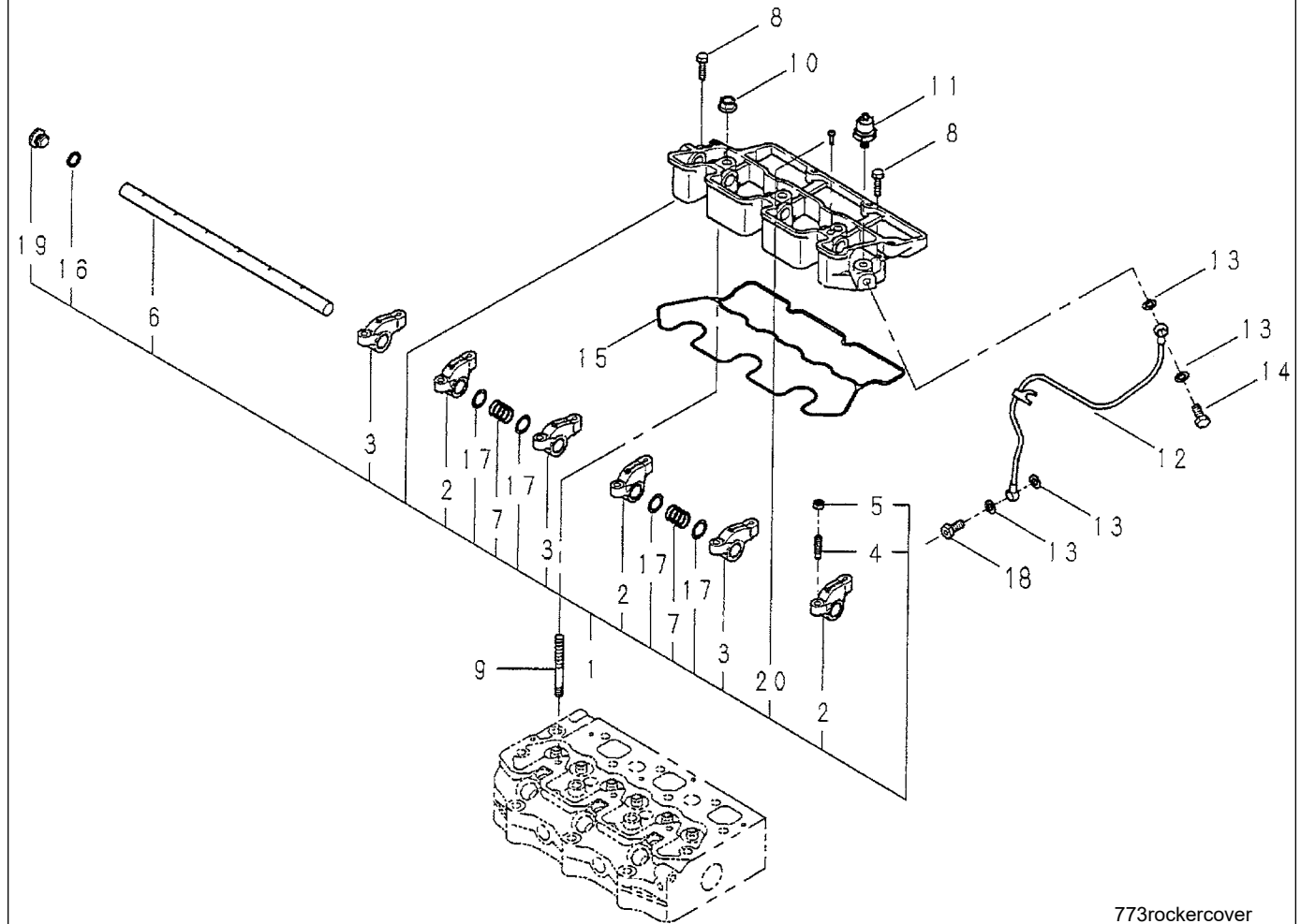


773cylhead

KEY	PART NUMBER	QTY	DESCRIPTION	SERIAL NUMBER
1	111011620	1	Cylinder Head Assembly (Marine, includes keys #2-3, 6-13, & 19)	-
	111011630	1	Cylinder Head Assembly (Industrial, includes keys #2 -3, 6-13, & 19)	-
2	064210018	8	Expansion Plug	-
3	064210030	2	Expansion Plug	-
6	120166360	3	Intake Valve	-
7	120176250	3	Exhaust Valve	-
8	120406070	3	Valve Guide Seal - Intake	-
9	198216700	6	Spring	-
10	120186080	6	Retainer	-
11	120226070	12	Cotter	-
12	120406050	3	Valve Guide Seal - Exhaust	-
13	120216041	6	Cap	-
14	111147560	1	Head Gasket, t=1.2 mm	-
	111147570	1	Head Gasket, t=1.3 mm	-
15	111136440	11	Head Bolt	-
16	111136450	3	Head Bolt	-
17	195816540	1	Lifting Eye	-
18	011510816	1	Bolt	-
19	110136300	3	Valve Seat - Intake (Marine)	-
	110136435	3	Valve Seat - Intake (Industrial)	-



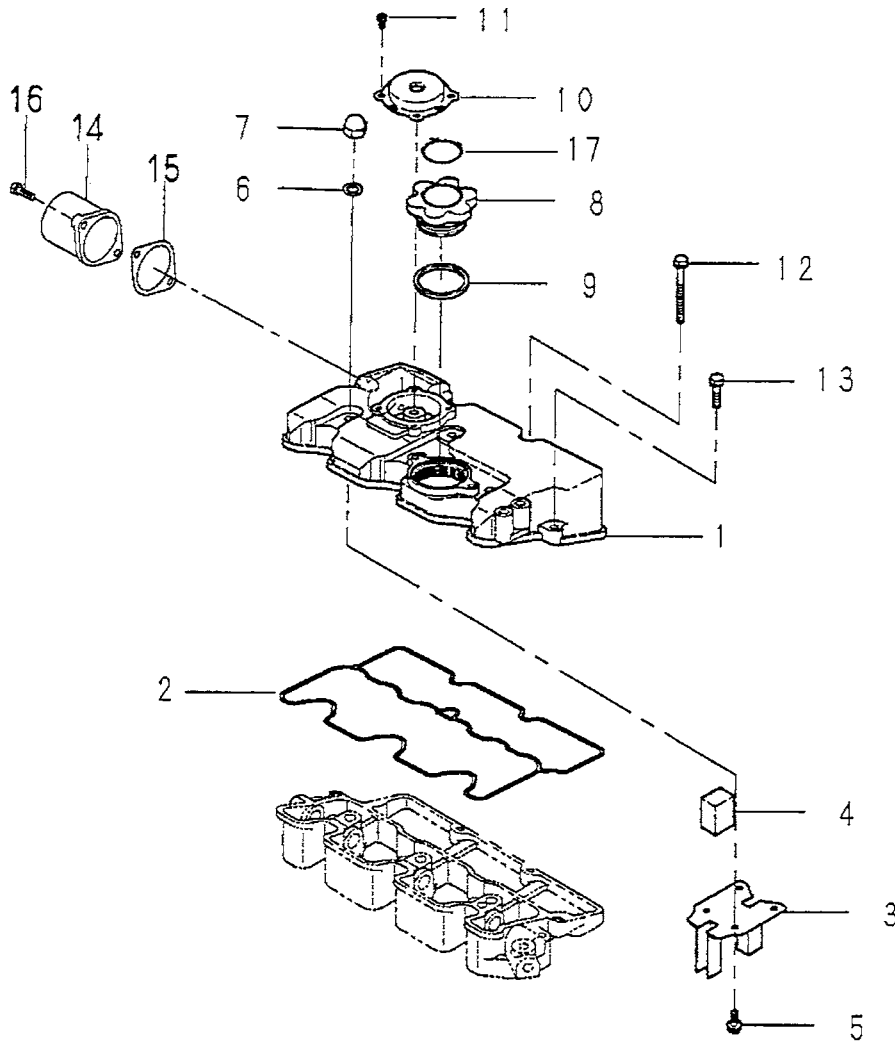
**Rocker Arm Assembly**



KEY	PART NUMBER	QTY	DESCRIPTION	SERIAL NUMBER
1	120037130	1	Rocker Arm Assembly (Marine, includes keys #2- 7, 16,17,19, & 20)	-
	120037170	1	Rocker Arm Assembly (Industrial, includes keys #2-7, 16,17,19, & 20)	-
2	120356200	3	Intake Rocker Arm	-
3	120356210	3	Exhaust Rocker Arm	-
4	199486220	6	Screw	-
5	020109076	6	Nut	-
6	120316300	1	Rocker Arm Shaft	-
7	198216780	2	Spring	-
8	011310625	2	Bolt	-
9	012109177	3	Stud Bolt	-
10	023100008	3	Nut	-
11		1	Oil Pressure Switch (see Electrical System)	-
12	140607270	1	Oil Pipe	-
13	140996260	4	Gasket	-
14	198486780	1	Eye Bolt	-
15	120996150	1	Gasket	-
16	052100120	1	O-ring	-
17	199280280	4	Shim	-
18	198487590	1	Banjo Bolt (Tapped 1/8 NPT Female)	-
19	198436150	1	Plug	-
20	015100410	1	Screw	-

**Rocker Arm Cover**

M773LW3

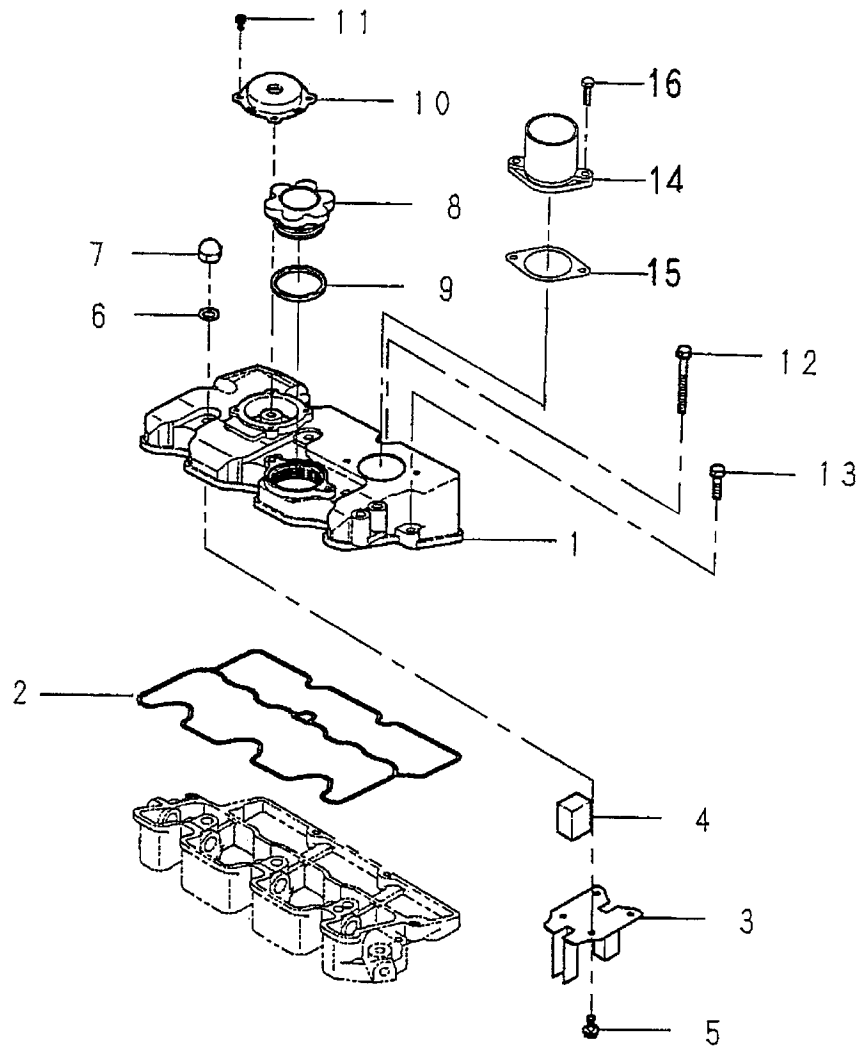


773rockerarmcover

KEY	PART NUMBER	QTY	DESCRIPTION	SERIAL NUMBER
1	111217960	1	Rocker Arm Cover	-
2	111996420	1	Gasket	-
3	110666220	1	Baffle	-
4	110666060	1	Vent Filter	-
5	015600406	4	Screw	-
6	140996260	3	Gasket	-
7	024600008	3	Cap nut	-
8	198436010	1	Cap	-
9	052100400	1	O-ring	-
10	110566080	1	Valve	-
11	011100408	4	Bolt	-
12	011310680	3	Bolt	-
13	011310625	2	Bolt	-
14	135566610	1	Air Intake	-
15	135996750	1	Gasket	-
16	011310620	2	Bolt	-
17	390190460	1	Caution Label	-

**Rocker Arm Cover & Intake**

NL773LW3



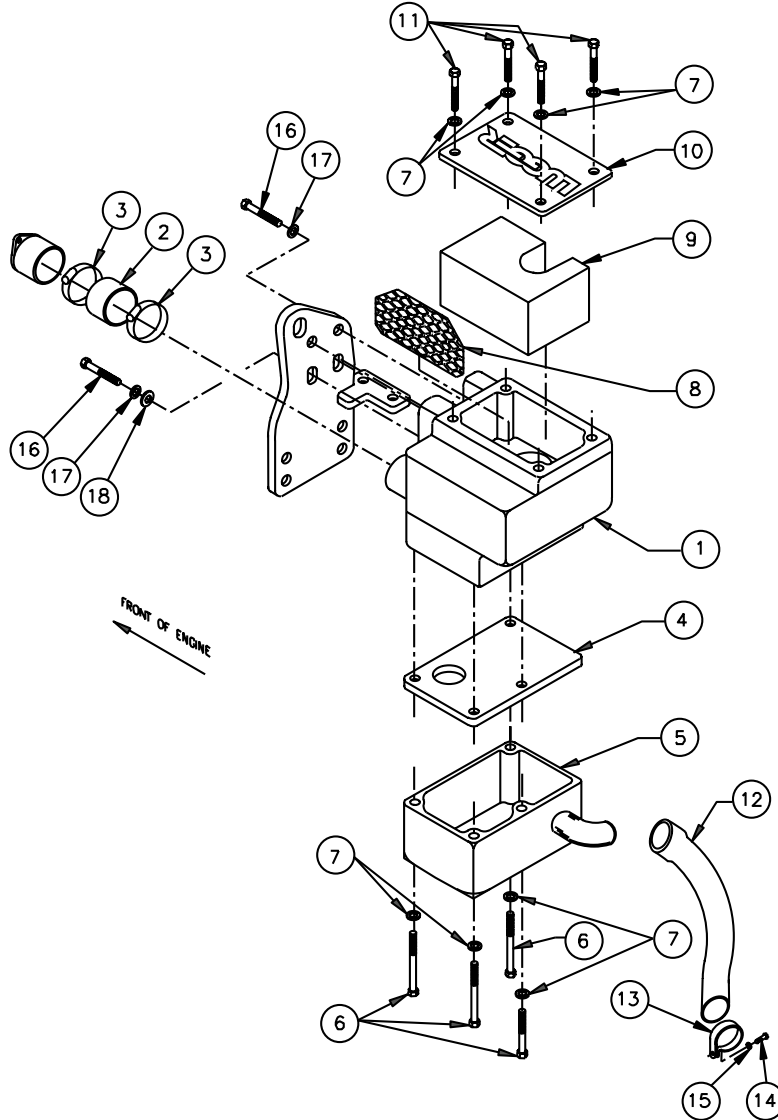
773rockerarmcover

KEY	PART NUMBER	QTY	DESCRIPTION	SERIAL NUMBER
1	111210140	1	Rocker Arm Cover	-
2	111996420	1	Gasket	-
3	110666220	1	Baffle	-
4	110666060	1	Breather Element	-
5	015600406	4	Screw	-
6	140996260	3	Gasket	-
7	024600008	3	Cap Nut	-
8	198436010	1	Cap	-
9	052100400	1	O-ring	-
10	110566080	1	Valve, Breather	-
11	011100408	4	Bolt	-
12	011310680	3	Bolt	-
13	011310625	2	Bolt	-
14	135566630	1	Air Intake	-
15	135996750	1	Gasket	-
16	011310620	2	Bolt	-

GROUP 2 – INTAKE AND EXHAUST

**Air Filter and Housing**

M773LW3

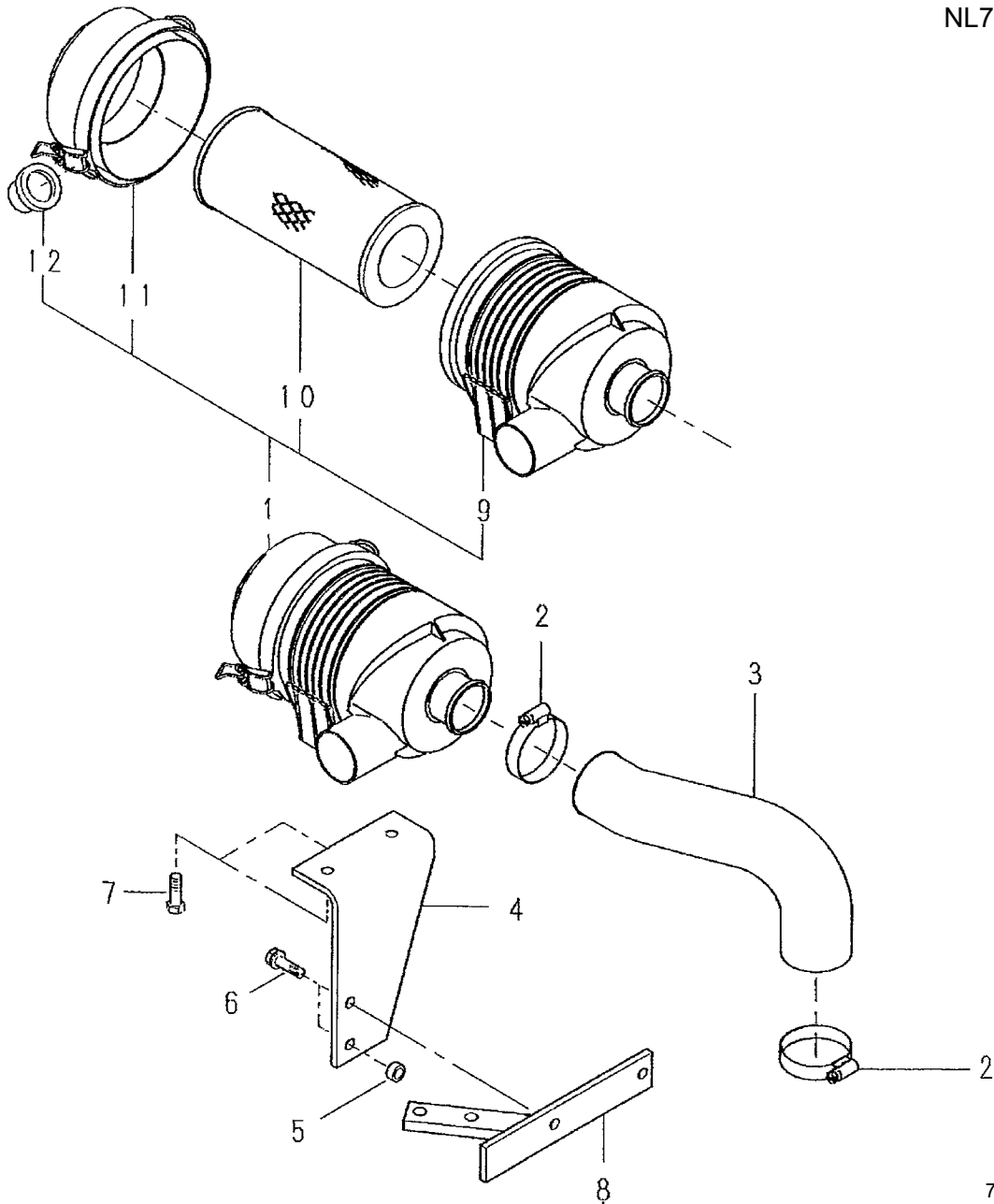


A-10836C / C-5742

KEY	PART NUMBER	QTY	DESCRIPTION	SERIAL NUMBER
1	10-28202	1	Housing	-
2	18-28201	1	Hose 1- 5/8" ID x 1- 3/4" 3 Ply Silicone	-
3	19-01024	2	Hose Clamp #24	-
4	28-28601	1	Silencer Plate	-
5	10-28603	1	Cover	-
6	12-09124	4	Capscrew, Hex Head M6 x 1.0 x 50 mm S/S	-
7	15-01134	8	Flat Washer M6 S/S	-
8	24-28601	1	Screen	-
9	24-28602	1	Air Filter Element	-
10	10-28602	1	Cover	-
11	12-09131	4	Capscrew, Hex Head M6 x 1.0 x 20 mm S/S	-
12	18-28601	1	Hose, Air Intake	-
13	19-70022	1	Cushion Clamp #22	-
14	12-09751	1	Capscrew, Hex Head M8 x 1.25 x 16 mm S/S	-
15	15-00706	1	Flat Washer M8 S/S	-
16	12-09712	4	Capscrew, Hex Head M8 x 1.25 x 25 mm	-
17	15-00705	4	Lock Washer, Helical M8 S/S	-
18	15-00706	2	Flat Washer M8 S/S	-

**Air Filter and Housing**

NL773LW3



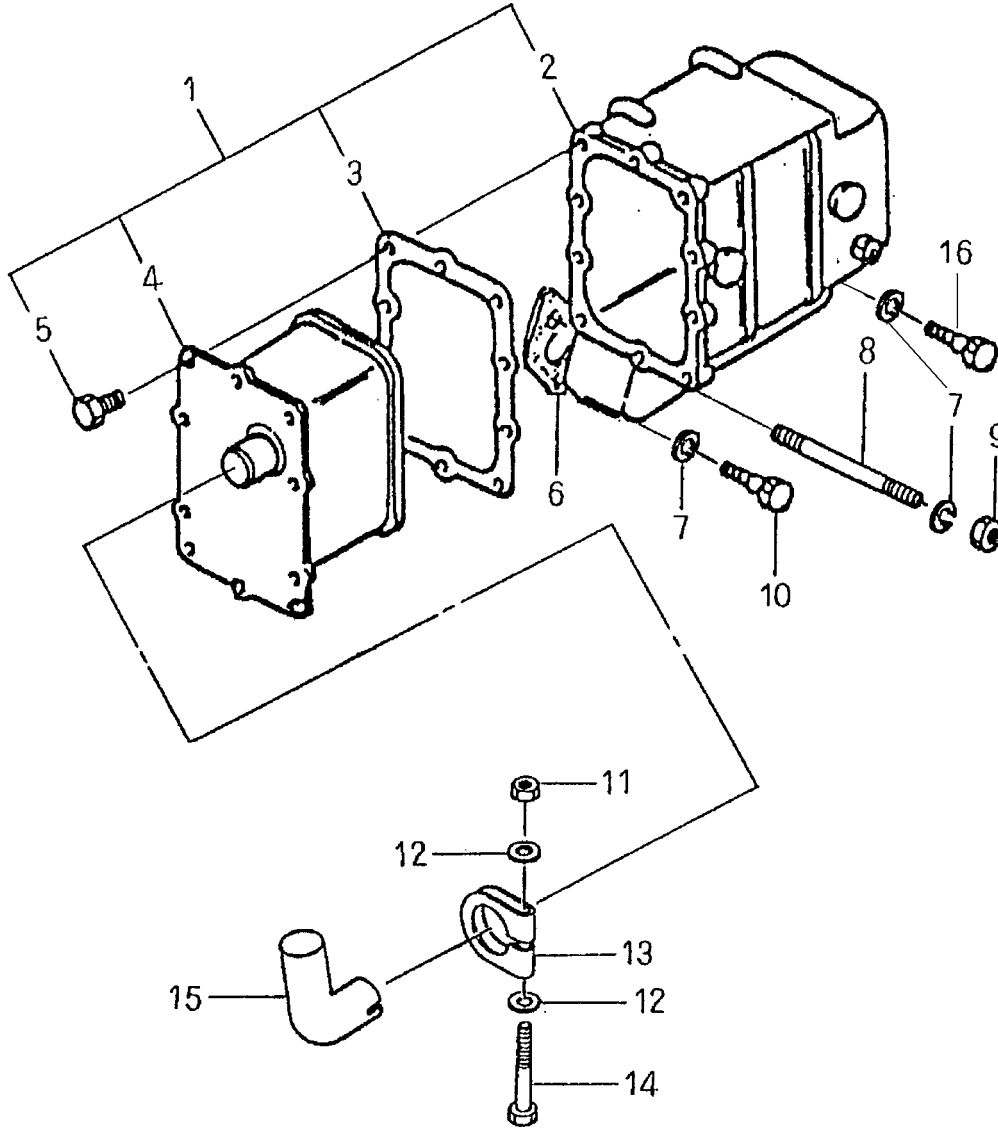
773aircleaner

KEY	PART NUMBER	QTY	DESCRIPTION	SERIAL NUMBER
1	135016310	1	Air Cleaner Assembly (includes keys #9-12)	-
2	198756130	2	Hose Band	-
3	135597900	1	Hose	-
4	135976610	1	Bracket	-
5	199236730	1	Collar	-
6	011510825	2	Bolt	-
7	011510820	2	Bolt	-
8	131976050	1	Bracket	-
9	135326200	1	Filter Housing	-
10	24-27301	1	Element	-
11	135326201	1	Cover	-
12	314531163	1	Valve	-

GROUP 2 – INTAKE & EXHAUST SYSTEM

**Exhaust Manifold & Muffler**

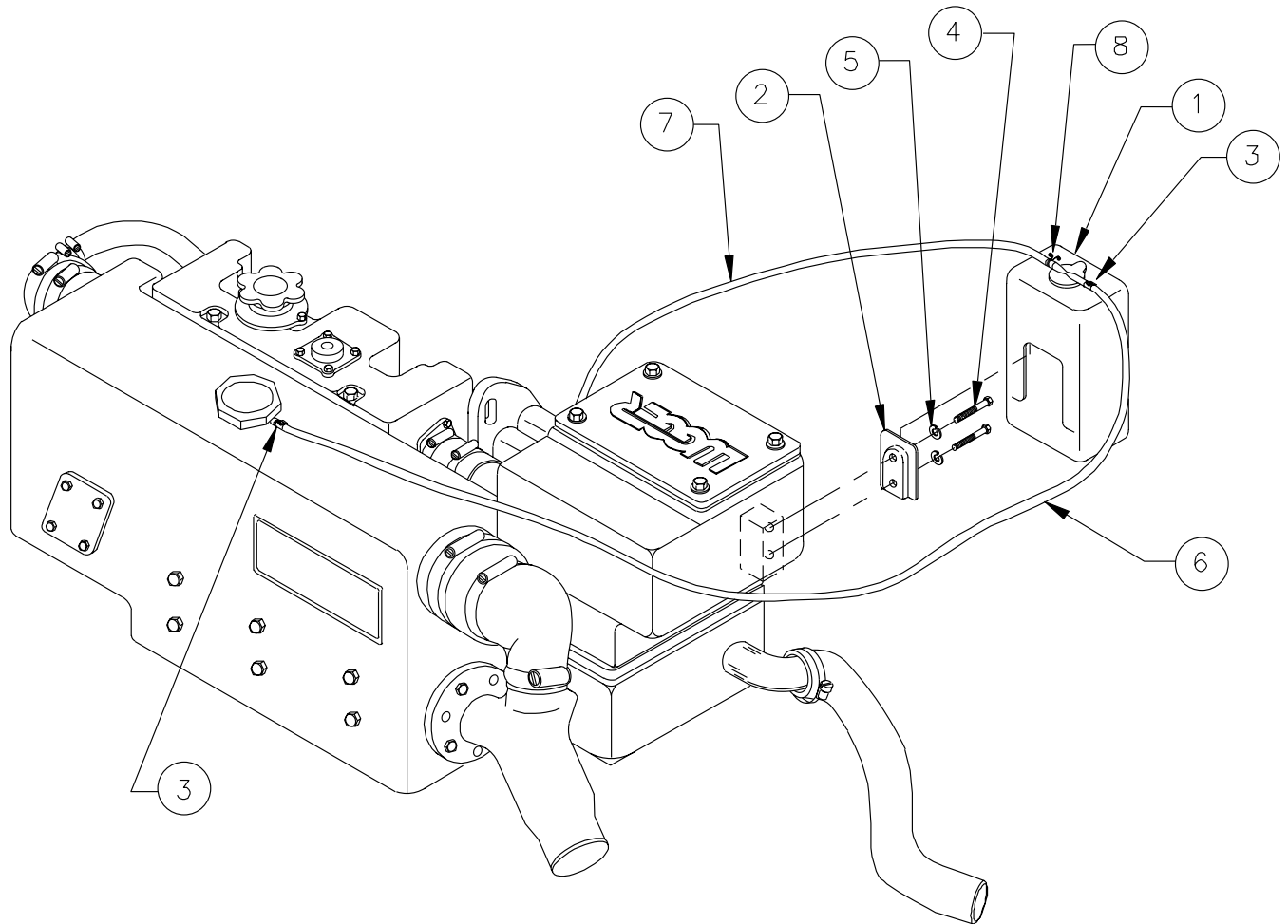
NL773L3



773exhmanifold

KEY	PART NUMBER	QTY	DESCRIPTION	SERIAL NUMBER
1	135046212	1	Exhaust Manifold Assembly (includes keys #2- 5)	-
2	135616832	1	Exhaust Manifold	-
3	135996900	1	Gasket	-
4	135406170	1	Housing	-
5	011310612	10	Bolt	-
6	135996541	1	Gasket	-
7	027100006	4	Spring Washer	-
8	012109215	2	Stud	-
9	023100006	2	Nut	-
10	010109381	4	Bolt	-
11	020900008	1	Nut	-
12	026100008	2	Washer	-
13	408330011	1	Band	-
14	010310850	1	Bolt	-
15	135606150	1	Exhaust Elbow	-
	27-38200	1	Exhaust Elbow, 1- 1/4 NPT (optional)	-
16	010109407	1	Bolt	-

Coolant Recovery Tank

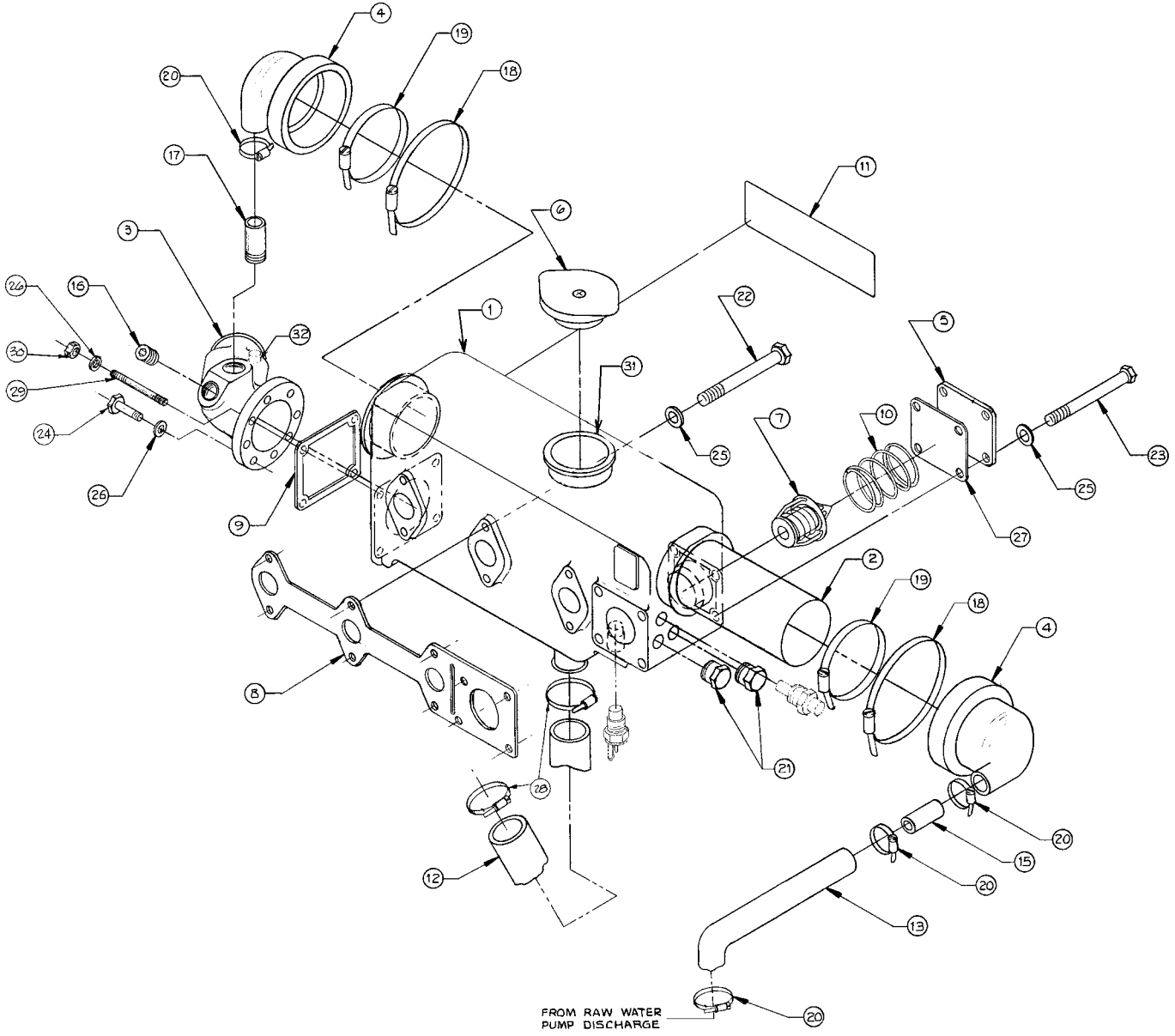


A-9347/ B-8741

KEY	PART NUMBER	QTY	DESCRIPTION	SERIAL NUMBER
1	310550130	1	Coolant Recovery Tank	-
2	222300090	1	Coolant Recovery Tank Mounting Bracket	-
3	19-18602	2	Hose Clamp	-
4	12-00030	2	Capscrew, Hex Head, M6 x 1.0 x 16 mm	-
5	15-01132	2	Lock Washer	-
6	27-18601	1	Tube 5/16" ID x 23" Polyurethane	-
7	18-18602	1	Hose 5/16" ID x 28" Polyvinyl	-
8	19-18602	1	Hose Clamp	-

# Exhaust Manifold and Heat Exchanger

M773LW3



A-9289/ D-3465



## Exhaust Manifold and Heat Exchanger

M773LW3

KEY	PART NUMBER	QTY	DESCRIPTION	SERIAL NUMBER
1	10-02001	1	Exhaust Manifold/ Expansion Tank	-
2	20-12002	1	Heat Exchanger Element	-
3	27-32003	1	Wet Exhaust Elbow, Stainless Steel	-
	135616235	1	Wet Exhaust Elbow, Cast Iron	-
4	145536370	2	Heat Exchanger End Cap	-
5	28-18601	1	Thermostat Cover Plate	-
6	21-12013	1	Filler Cap	-
7	145206022	1	Thermostat	-
8	11-08601	1	Gasket	-
9	11-31902	1	Gasket	-
10	00-13101	1	Spring	-
11	00-08301	1	"Northern Lights" Decal	-
12	18-18601	1	Coolant Pump Inlet Hose	-
13	41-00004	13"	Hose 3/4" ID x 18-1/2"	-
15	21-13102	1	Union 3/4" Hose Barb	-
16	198436140	1	Socket Head Plug 1/2 BSPT, Steel	-
17	145986150	1	Connector 1/2 BSPT x 3/4 HB, Steel	-
18	19-00048	2	Hose Clamp #48	-
19	19-00040	2	Hose Clamp #40	-
20	19-00012	4	Hose Clamp #12	-
21	21-31003	**	Hex Head Plug, Brass 3/8 NPT	-
22	12-09136	6	Capscrew, Hex Head M6 x 1.0 x 90 mm S/S	-
23	12-09130	4	Capscrew, Hex Head M6 x 1.0 x 95 mm S/S	-
24	12-09712	3	Capscrew, Hex Head M8 x 1.25 x 25 mm S/S	-
25	15-01134	10	Flat Washer M6 S/S	-
26	15-00706	4	Flat Washer M8 S/S	-
27	11-18602	1	Gasket	-
28	19-00016	2	Hose Clamp #16	-
29	13-09710	1	Stud M8 x 1.25 x 25 mm (35 mm LOA S/S)	-
30	14-09711	1	Hex Nut, M8 x 1.25 S/S	-
31	20-12207	1	Filler Neck	-
32	22-42070	1	Switch, High Exhaust Temperature	-
33	22-40482	1	Harness, Exhaust Temperature Switch (not shown)	-
			**As required	

**Coolant Pump**

M773LW3

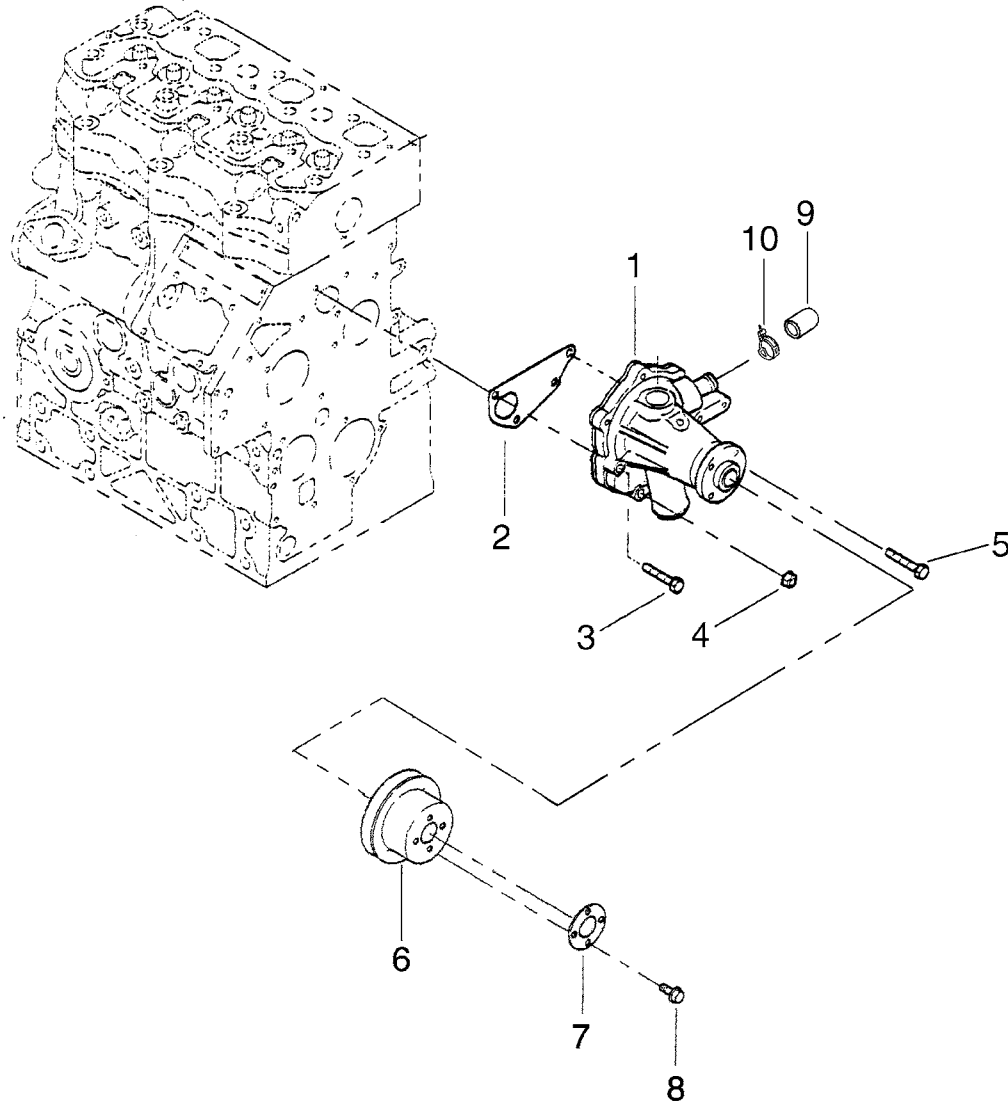
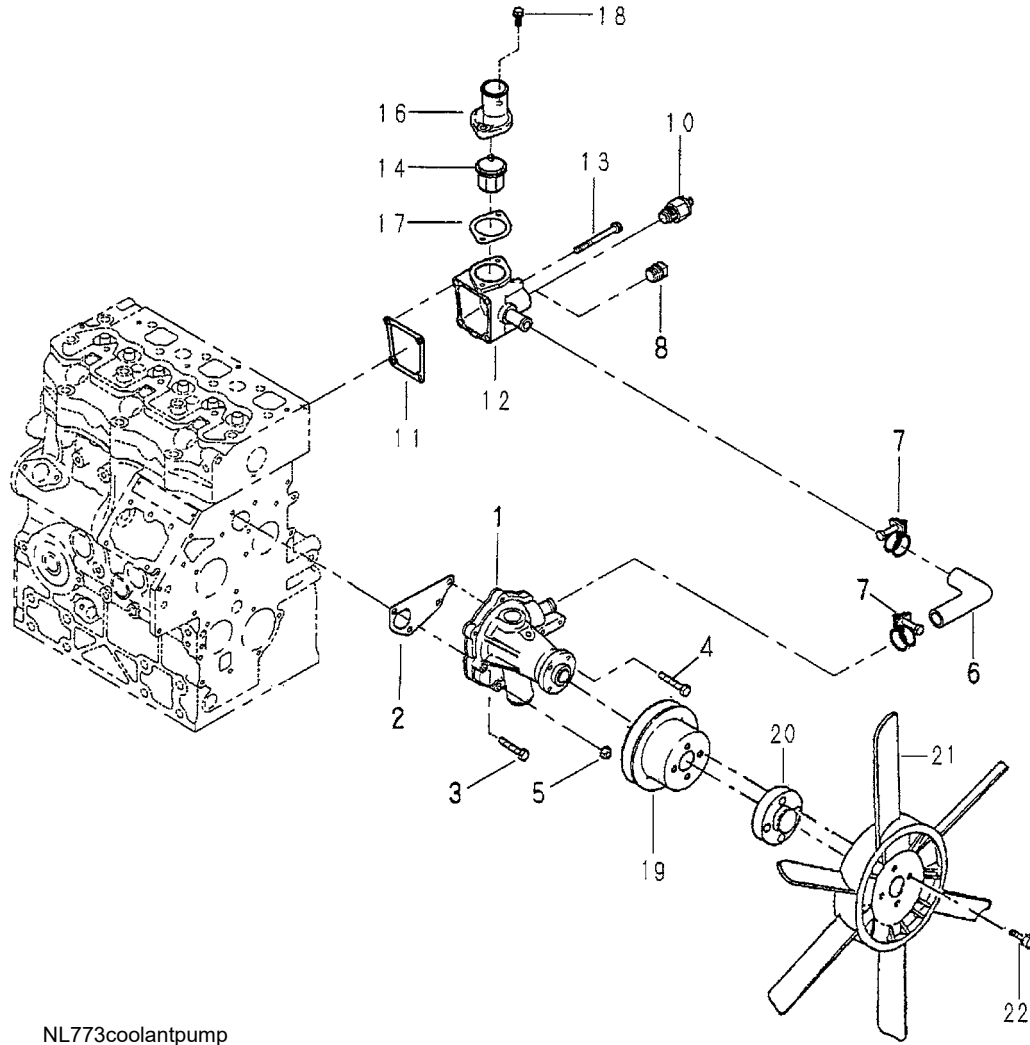


Fig. 3-2

KEY	PART NUMBER	QTY	DESCRIPTION	SERIAL NUMBER
1	145017910	1	Coolant Pump Assembly	-
2	145996830	1	Gasket	-
3	011310635	1	Bolt	-
4	023100006	1	Nut	-
5	011310630	2	Bolt	-
6	145336490	1	Pulley	-
7	145386520	1	Spacer	-
8	011310614	4	Bolt	-
9	21-18601	1	Cap	-
10	19-18601	1	Clamp	-

**Coolant Pump & Thermostat Housing**

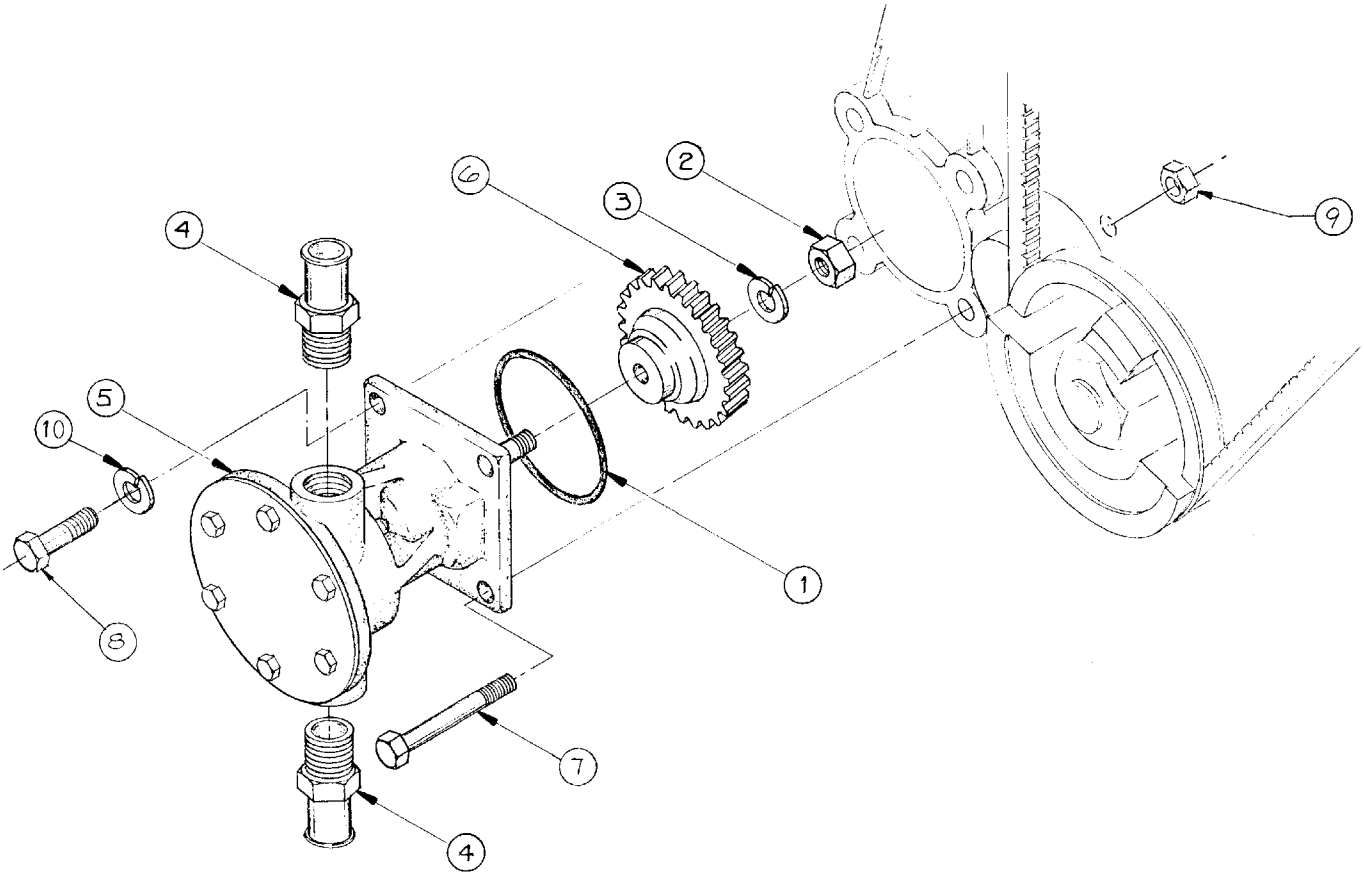
NL773LW3



NL773coolantpump

KEY	PART NUMBER	QTY	DESCRIPTION	SERIAL NUMBER
1	145017990	1	Coolant Pump Assembly	-
2	145996830	1	Gasket	-
3	011310635	1	Bolt	-
4	011310630	2	Bolt	-
5	023100006	1	Nut	-
6	145536051	1	Hose	-
7	19-00006	2	Clamp #6	-
8	064500030	1	Plug	-
10	385720030	1	Temperature Switch 230°F (see Electrical System)	-
11	145996840	1	Gasket	-
12	145216920	1	Thermostat Housing	-
13	011310660	4	Bolt	-
14	145206061	1	Thermostat	-
16	145226530	1	Thermostat Cover	-
17	145996850	1	Gasket	-
18	011310620	1	Bolt	-
19	145336490	1	Fan Pulley	-
20	145386920	1	Spacer	-
21	145306380	1	Cooling Fan (Blower 330 mm OD)	-
22	011310635	4	Bolt	-

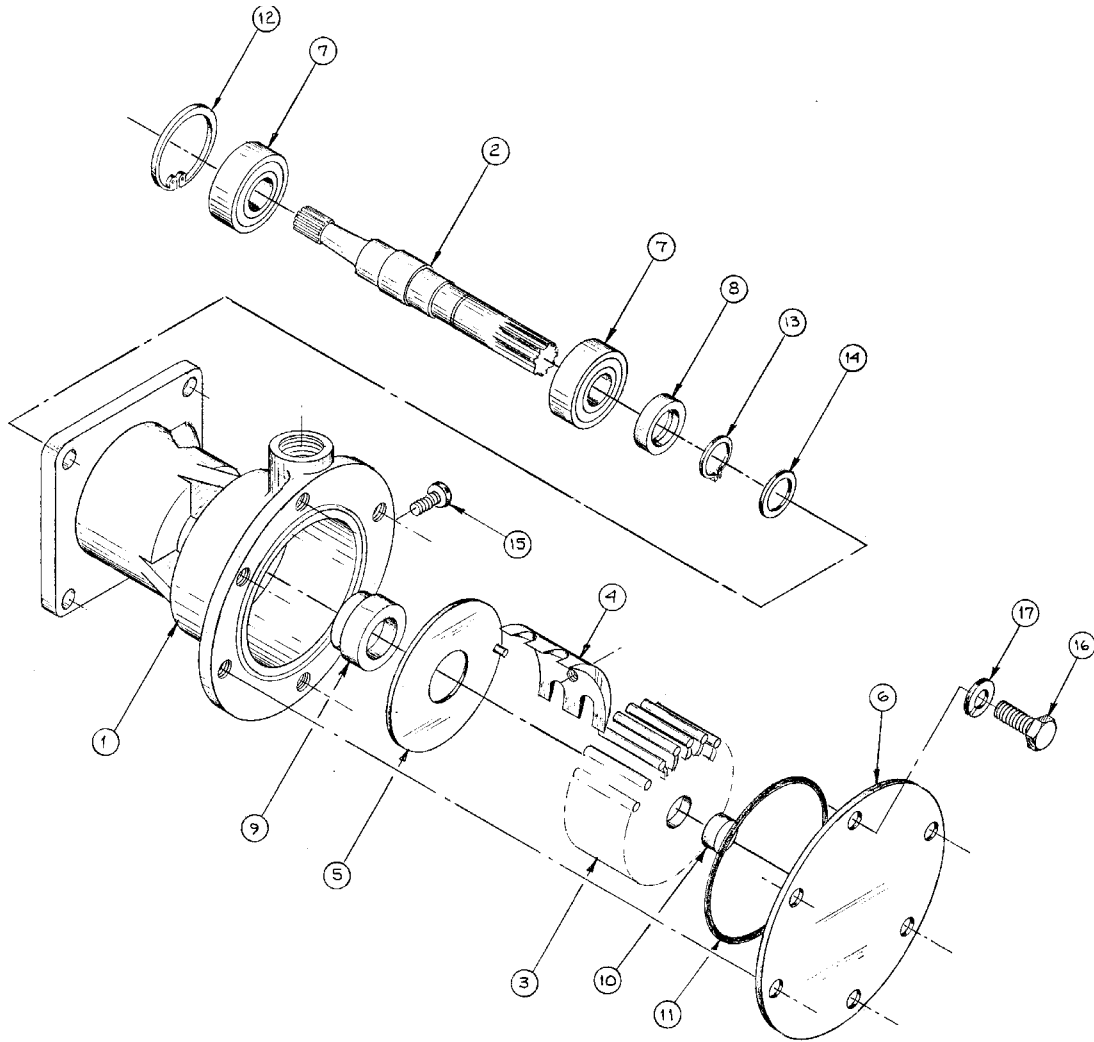
**Raw Water Pump and Mounting**



A-4779/ B-3842B

KEY	PART NUMBER	QTY	DESCRIPTION	SERIAL NUMBER
1	16-13101	1	O-Ring	-
2	14-00811	1	Nut M10 x 1.5	-
3	15-00802	1	Lock Washer M10	-
4	21-00129	2	Fitting 1/2 NPT x 3/4 Hose Barb	-
5	25-12057	1	Raw Water Pump (see parts detail)	-
6	340460141	1	Drive Gear	-
7	12-34801	3	Capscrew, Hex Head M8 x 1.25 x 70 mm	-
8	12-00718	1	Capscrew, Hex Head M8 x 1.25 x 65 mm	-
9	023100008	3	Hex Nut M8 x 1.25, Flanged	-
10	15-00702	1	Lock Washer M8	-

Raw Water Pump Detail

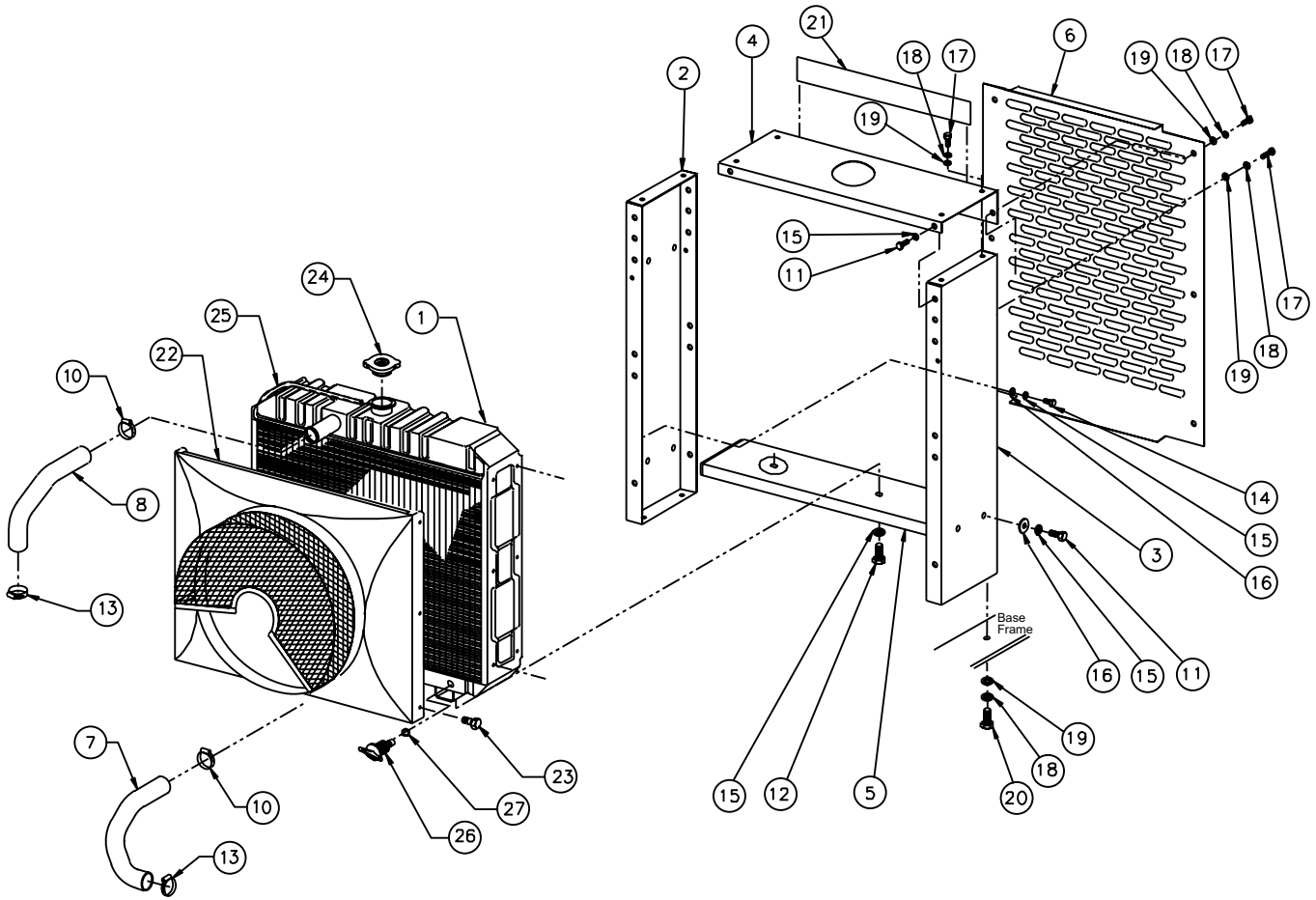


A-3706/ C-2204

KEY	PART NUMBER	QTY	DESCRIPTION	SERIAL NUMBER
••	25-12057	1	Raw Water Pump Assembly (includes keys #1 - 17)	-
•	25-12004	1	Repair Kit (includes keys #3- 9, & 11)	-
1	25-12058	1	Raw Water Pump Body	-
2	25-12059	1	Shaft	-
3	25-12060	1	Impeller	-
4	25-12061	1	Cam	-
5	25-12062	1	Wear Plate	-
6	25-12063	1	End Cover	-
7	25-12064	1	Bearing	-
8	25-12065	1	Lip Seal	-
9	25-12066	1	Mechanical Seal	-
10	25-12017	1	Spline Seal	-
11	25-12067	1	O-ring	-
12	25-12068	1	Retaining Ring	-
13	25-12069	1	Retaining Ring	-
14	25-12070	1	Washer	-
15	25-12071	1	Pan Head Screw #10-32 x 3/8	-
16	25-12072	1	Hex Head Screw #10-32 x 3/8	-
17	25-12073	1	Split Lock Washer #10	-

Radiator and Guard, Aluminum

NL773LW3



A-11840/ D-3494z

## Radiator and Guard, Aluminum

NL773LW3

KEY	PART NUMBER	QTY	DESCRIPTION	SERIAL NUMBER
1	145506610	1	Radiator	-
2	39-18601	1	Side Panel, Left hand	-
3	39-18602	1	Side Panel, Right hand	-
4	39-18603	1	Top Panel	-
5	39-18604	1	Radiator Support	-
6	39-18209	1	Grille	-
7	145537220	1	Hose, Radiator Outlet	-
8	145537440	1	Hose, Radiator Inlet	-
9	19-00016	2	Hose Clamp #16	-
10	19-00020	2	Hose Clamp #20	-
11	12-00751	4	Capscrew, Hex Head M8 x 1.25 x 16 mm	-
12	12-00711	2	Capscrew, Hex Head M8 x 1.25 x 20 mm	-
13	12-00753	1	Capscrew, Hex Head M8 x 1.25 x 30 mm (left hand side)	-
14	12-00714	1	Capscrew, Hex Head M8 x 1.25 x 40 mm (right hand side)	-
15	15-00702	6	Lock Washer, Helical M8	-
16	15-00701	8	Flat Washer M8	-
17	12-00030	14	Capscrew, Hex Head M6 x 1.0 x 16 mm	-
18	15-01132	18	Lock Washer, Helical M6	-
19	15-00008	18	Flat Washer M6	-
20	12-01131	4	Capscrew, Hex Head M6 x 1.0 x 20 mm	-
21	00-71001	1	Decal, "Northern Lights"	-
22	145546930	1	Shroud with Fan Guard	-
23	011150610	6	Bolt	-
24	310110200	1	Filler Cap	-
25	310120170	2	Overflow Hose	-
26	21-12016	1	Drain Cock	-
27	310190477	1	O-ring	-

Injection Pump and Lines

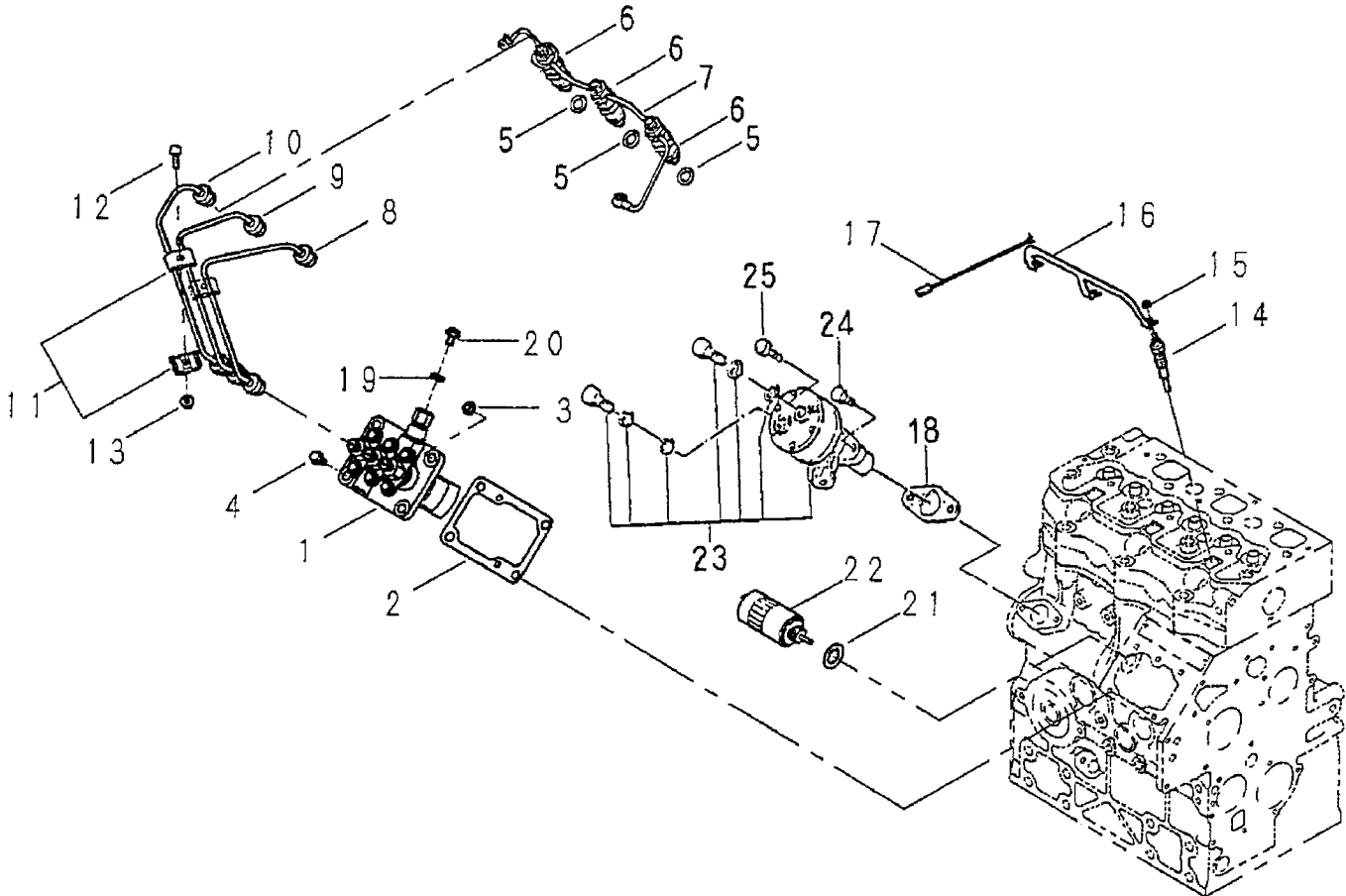


Fig. 4-00

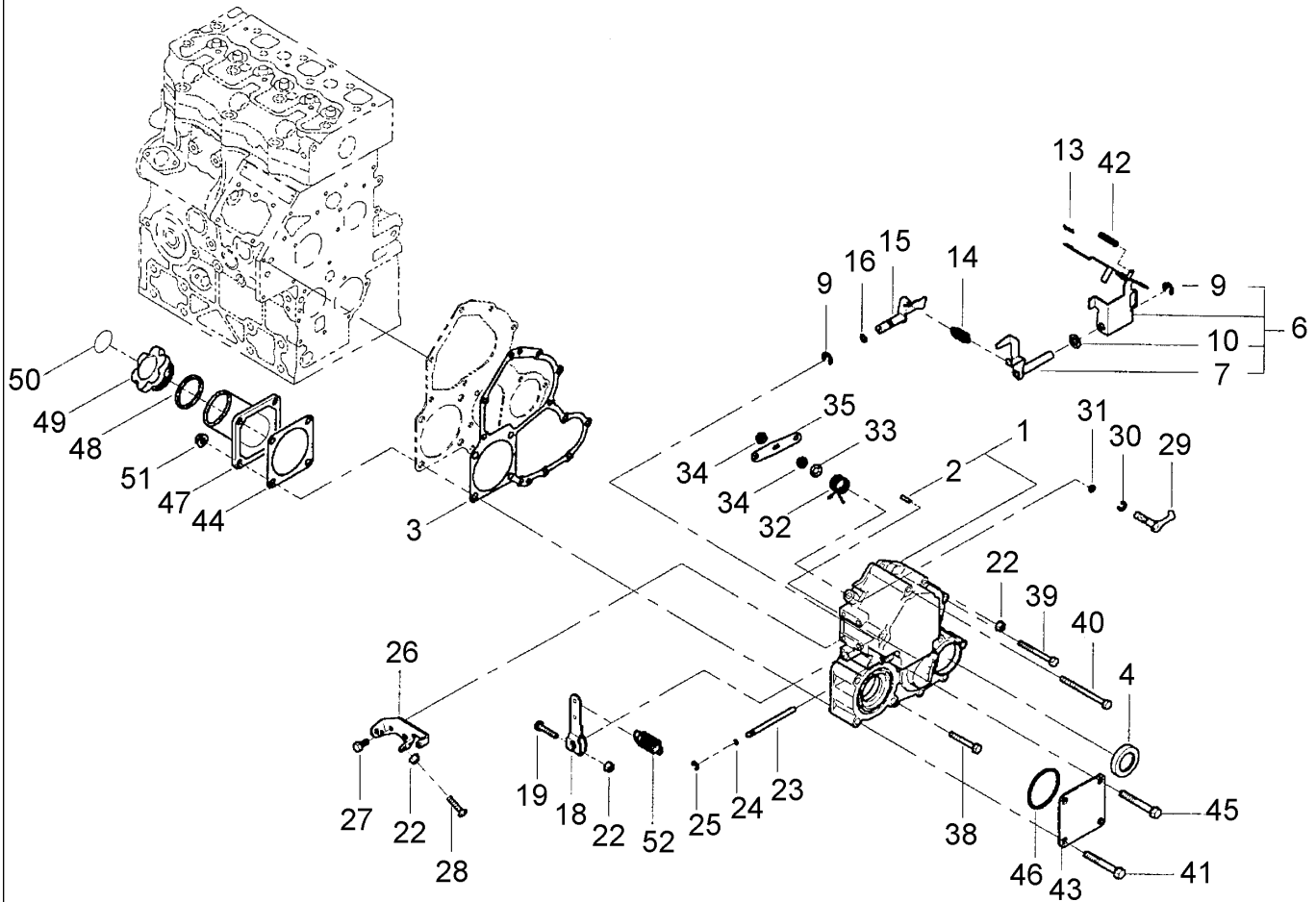


## Injection Pump and Lines

KEY	PART NUMBER	QTY	DESCRIPTION	SERIAL NUMBER
1	131017921	1	Injection Pump Assembly	-
2	131426300	1	Shim Set	-
3	023100006	2	Nut	-
4	011310620	2	Bolt	-
5	131426200	3	Gasket	-
6	131406470	3	Injector Assembly	-
7	131606880	1	Return Line	-
8	131507740	1	Injection Line #1	-
9	131507750	1	Injection Line #2	-
10	131507760	1	Injection Line #3	-
11	199106021	4	Clamp	-
12	010110625	2	Bolt	-
13	023100006	2	Nut	-
14	185366220	3	Glow Plug, 12 Volt	-
15	023100004	3	Nut	-
16	185376372	1	Connector	-
17	185606170	1	Wire Harness	-
18	130996130	1	Gasket	-
19	025100006	1	Seal Washer	-
20	131236280	1	Screw	-
21	025100016	1	Seal Washer	-
22	185206084	1	Solenoid, 12 Volt Standard Ground	-
	185206192	1	Solenoid, 12 Volt Isolated Ground	-
	185206202	1	Solenoid, 24 Volt Isolated Ground	-
23	130506140	1	Feed Pump	-
24	011140614	2	Bolt	-
25	011140616	1	Bolt	-

# Governor and Timing Gear Case

M773LW3



773governor,timinggearcase

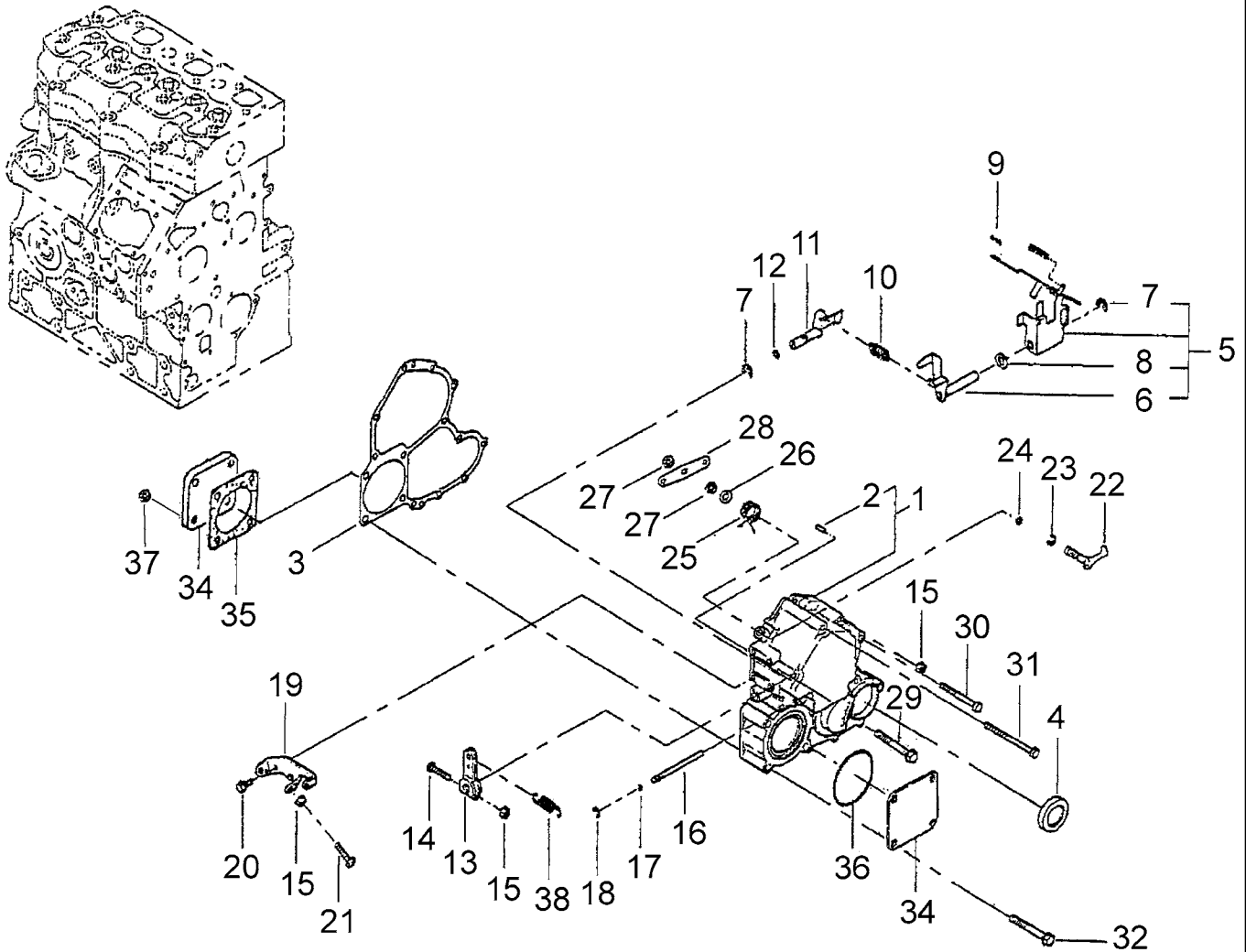
## Governor and Timing Gear Case

M773LW3

KEY	PART NUMBER	QTY	DESCRIPTION	SERIAL NUMBER
1	165106111	1	Timing Gear Case (includes key #2)	-
2	030300414	1	Spring Pin	-
3	165996530	1	Gasket	-
4	198636090	1	Oil Seal	-
6	125046260	1	Governor Lever Assembly (includes keys 7, 9, 10)	-
7	125406071	1	Tension Lever	-
9	036800008	2	Snap Ring	-
10	026200010	1	Washer	-
13	031100004	1	Snap Pin	-
14	198217390	1	Spring	-
15	125156170	1	Arm	-
16	052109110	1	O-ring	-
18	125416020	1	Governor Lever	-
19	010110630	1	Bolt	-
22	023100006	3	Nut	-
23	125116131	1	Shaft	-
24	052109108	2	O-ring	-
25	036800005	1	Snap Ring	-
26	125976120	1	Bracket	-
27	011310614	2	Bolt	-
28	012810640	1	Bolt	-
29	125156180	1	Arm	-
30	036800006	1	Snap Ring	-
31	052109109	1	O-ring	-
32	198216760	1	Spring	-
33	026200008	1	Washer	-
34	020700008	2	Nut	-
35	125176080	1	Stop Lever	-
38	011310640	5	Bolt	-
39	011310660	3	Bolt	-
40	011310680	2	Bolt	-
41	011510865	3	Bolt	-
42	198216731	1	Start Spring	-
43	165206320	1	Cover (Keel Cooled Units Only)	-
44	165996610	1	Gasket	-
45	011510860	1	Bolt	-
46	052300700	1	O-ring	-
47	110766200	1	Holder	-
48	052100400	1	O-ring	-
49	198436010	1	Cap	-
50	390190460	1	Plate	-
51	023100008	3	Nut	-
52	398210070	1	Spring	-

# Governor Housing and Timing Gear Case

NL773LW3



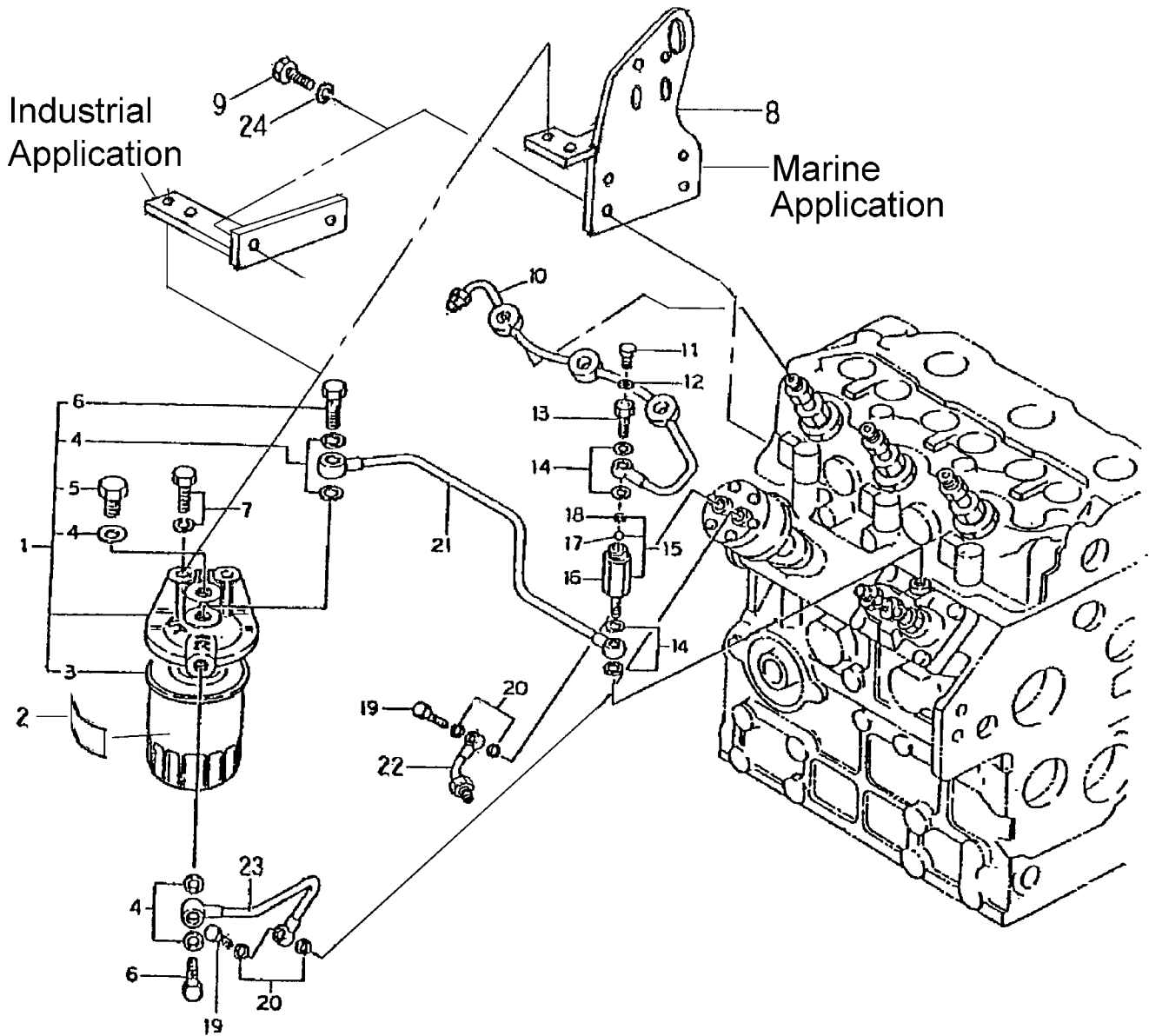
773governor,timinggearcase

## Governor Housing and Timing Gear Case

NL773LW3

KEY	PART NUMBER	QTY	DESCRIPTION	SERIAL NUMBER
1	165106071	1	Timing Gear Case ( includes key #2)	-
2	030300414	1	Spring Pin	-
3	165996530	1	Gasket	-
4	198636090	1	Oil Seal	-
5	125046260	1	Governor Lever Assembly (includes keys #6, 7, 8)	-
6	125406071	1	Tension Lever	-
7	036800008	2	Snap Ring	-
8	026200010	1	Washer	-
9	031100004	1	Snap Pin	-
10	198217390	1	Spring	-
11	125156170	1	Armature	-
12	052109110	1	O-ring	-
13	125416020	1	Governor Lever	-
14	010110630	1	Bolt	-
15	023100006	3	Nut	-
16	125116131	1	Shaft	-
17	052109108	2	O-ring	-
18	036800005	1	Snap Ring	-
19	125976120	1	Bracket	-
20	011310614	2	Bolt	-
21	012810640	1	Bolt	-
22	125156180	1	Armature	-
23	036800006	1	Snap Ring	-
24	052109109	1	O-ring	-
25	198216760	1	Spring	-
26	026200008	1	Washer	-
27	020700008	2	Nut	-
28	125176080	1	Stop Lever	-
29	011310640	5	Bolt	-
30	011310660	3	Bolt	-
31	011310680	2	Bolt	-
32	010310865	4	Bolt	-
33	198216731	1	Start Spring	-
34	165206150	2	Cover	-
35	165996610	1	Gasket	-
36	052300700	1	O-ring	-
37	023100008	4	Nut	-
38	398210070	1	Spring	-

Fuel Filter and Piping



773fuelfilter

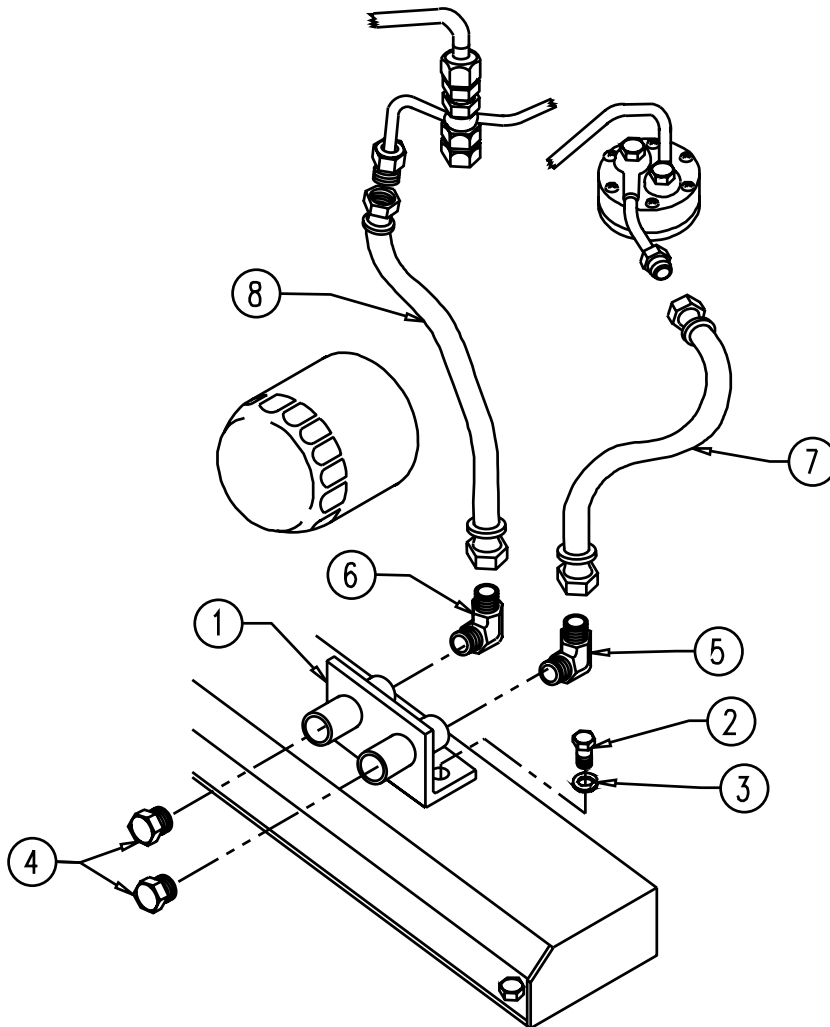
## Fuel Filter and Piping

KEY	PART NUMBER	QTY	DESCRIPTION	SERIAL NUMBER
1	130306190	1	Fuel Filter Assembly (includes keys #3 - 6)	-
2	190196830	1	Caution Label	-
3	24-52020	1	Fuel Filter	-
4	130326051	5	Gasket	-
5	130396030	1	Plug	-
6	130436011	2	Joint Bolt	-
7	011511025	2	Bolt	-
8	23-08603	1	Bracket, Filter Support & Lifting Eye (Marine)	-
	131976050	1	Bracket (Industrial)	-
9	010700820	4	Bolt	-
10	131606880	1	Return Pipe	-
11	131236280	1	Screw	-
12	025100006	1	Seal Washer	-
13	131236190	1	Bolt	-
14	140996270	4	Gasket	-
15	140036141	1	Valve Assembly (includes keys 16- 18)	-
16	198487002	1	Connector	-
17	048100010	1	Steel Ball	-
18	198116230	1	Rubber	-
19	130516092	2	Bolt	-
20	198996060	4	Gasket	-
21	130556921	1	Pipe (Marine)	-
	130556960	1	Pipe (Industrial)	-
22	130556681	1	Pipe	-
23	130556931	1	Pipe (Marine)	-
	130556970	1	Pipe (Industrial)	-
24	027100008	4	Spring Washer	-

GROUP 4 – FUEL SYSTEM

**USCG SAE J1527 ISO 7840 Fuel Lines**

M773LW3 Up to S/N xxxx-46361C  
 NL773LW3 All



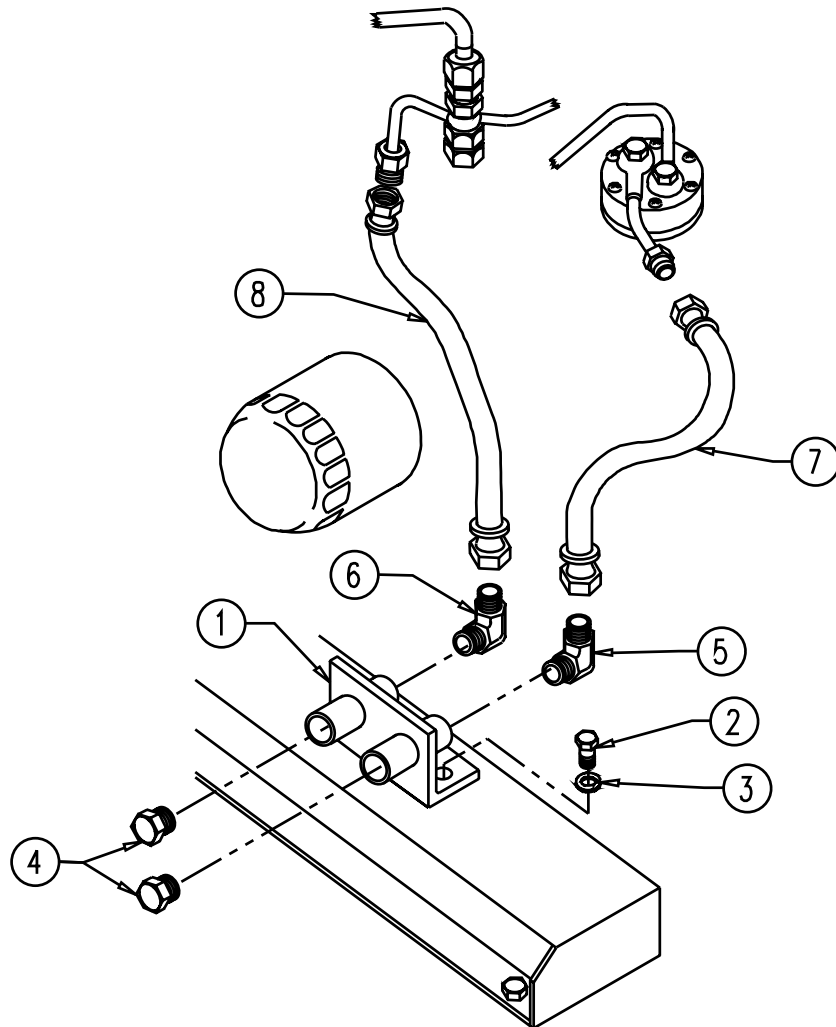
A-118520/ B-9278

KEY	PART NUMBER	QTY	DESCRIPTION	SERIAL NUMBER
1	10-51099	1	Fuel Manifold 1/4 NPT	-
2	12-01102	2	Capscrew, Hex Head M6 x 1.0 x 16 mm S/S	-
3	15-00610	2	Lock Washer, Helical M6 S/S	-
4	21-31624	2	Plug, Hex Head Brass 1/4 NPT	-
5	21-52245	1	Male Elbow 90°, Brass 1/4 NPT x 5/16-45T	-
6	21-71044	1	Male Elbow 90°, Brass 1/4 NPT x 1/4-45T	-
7	18-58602	1	Hose Assembly 1/4" ID x 12-1/2"	-
8	18-58603	1	Hose Assembly 1/4" ID x 19"	-



**USCG SAE J1942 ABS Fuel Lines**

M773LW3 Up to S/N xxxx-46361C



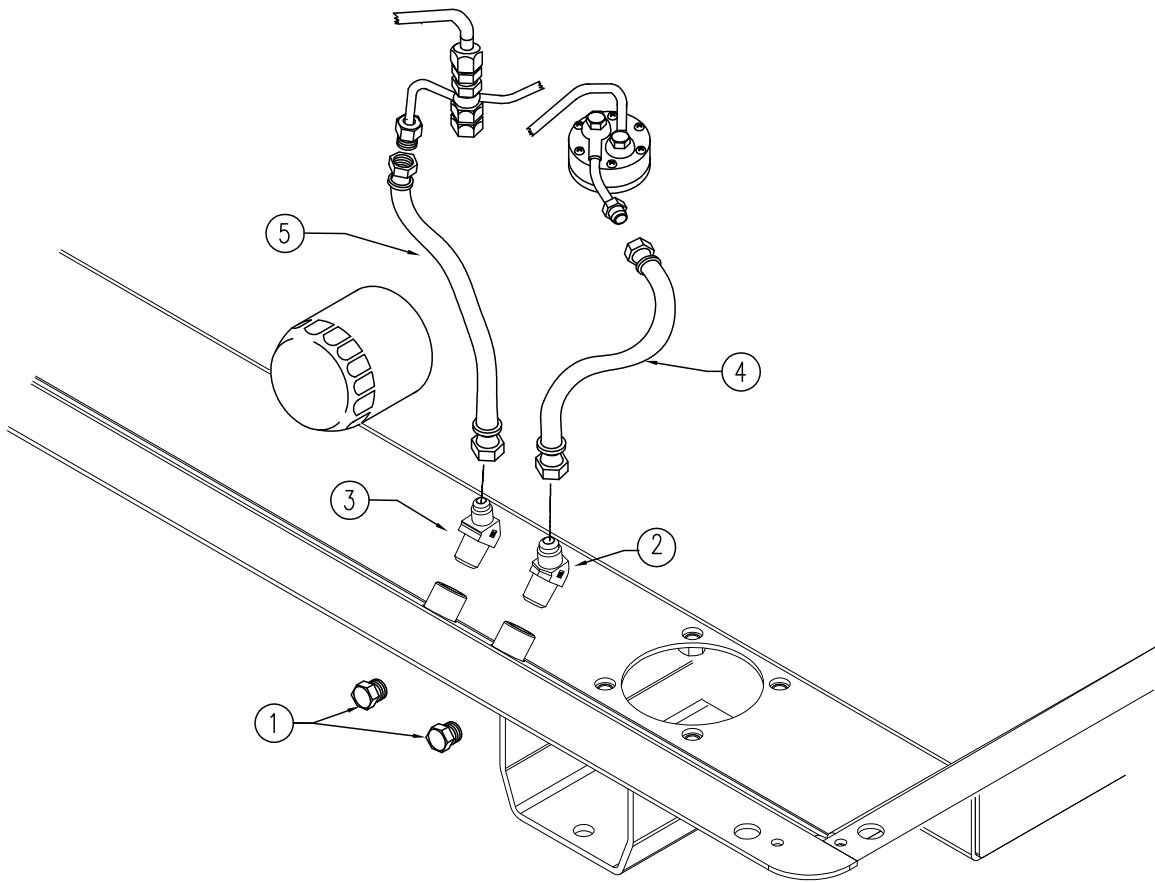
A-10003/ B-9278

KEY	PART NUMBER	QTY	DESCRIPTION	SERIAL NUMBER
1	10-51099	1	Fuel Manifold 1/4 NPT	-
2	12-01102	2	Capscrew, Hex Head M6 x 1.0 x 16 mm S/S	-
3	15-00610	2	Lock Washer, Helical M6 S/S	-
4	21-31624	2	Plug, Hex Head Brass 1/4 NPT	-
5	21-74411	1	Male Elbow 90°, Steel 1/4 NPT x 5/16-37T	-
6	21-71049	1	Male Elbow 90°, Steel 1/4 NPT x 1/4-37T	-
7	18-58602	1	Hose Assembly 1/4" ID x 12-1/2"	-
8	18-58710	1	Hose Assembly 3/16" ID x 19"	-

GROUP 4 – FUEL SYSTEM

**USG A-1 SAE J1527 ISO 7840 Fuel Lines**

M773LW3 From S/N xxxx-46362C

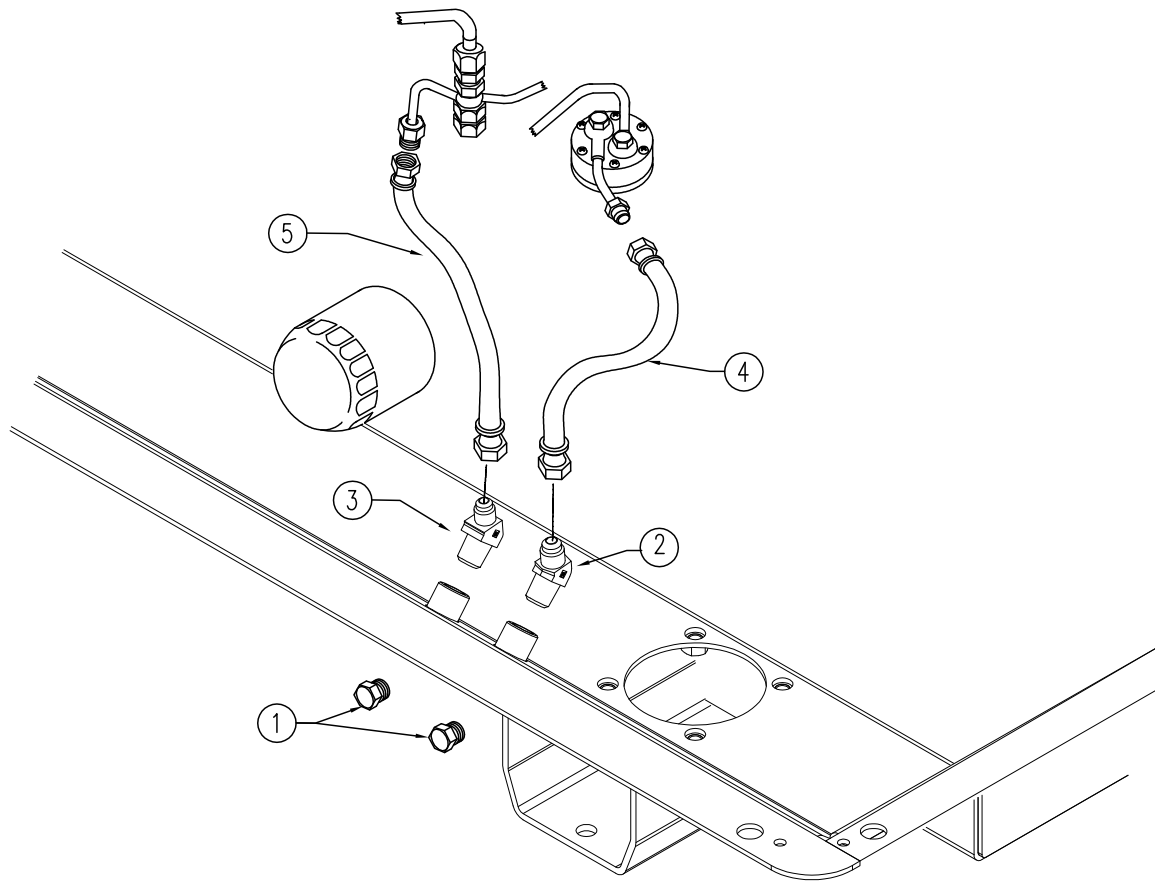


B-9827

Key	Part Number	Qty	Description	Serial Number
1	21-31624	2	Plug, Hex Head Brass 1/4 NPT	-
2	21-51204	1	Male Elbow, 45°, Brass. 1/4NPT X 5/16-45T	-
3	21-50054	1	Male Elbow, 45°, Brass. 1/4NPT X 1/4-45T	-
4	18-58602	1	Hose Assembly 1/4" ID x 12-1/2"	-
5	18-58603	1	Hose Assembly 1/4" ID x 19"	-

**USG A-1 SAE J1942 ABS Fuel Lines**

M773LW3 From S/N xxxx-46362C



B-9827

Key	Part Number	Qty	Description	Serial Number
1	21-31624	2	Plug, Hex Head Brass 1/4 NPT	-
2	21-00600	1	Male Elbow, 45°, Steel. 1/4NPT X 5/16-37T	-
3	21-05404	1	Male Elbow, 45°, Steel. 1/4NPT X 1/4-37T	-
4	18-58604	1	Hose Assembly 1/4" ID x 12-1/2"	-
5	18-58710	1	Hose Assembly 3/16" ID x 19"	-

**GROUP 4 – FUEL SYSTEM**

**Fuel Injector**

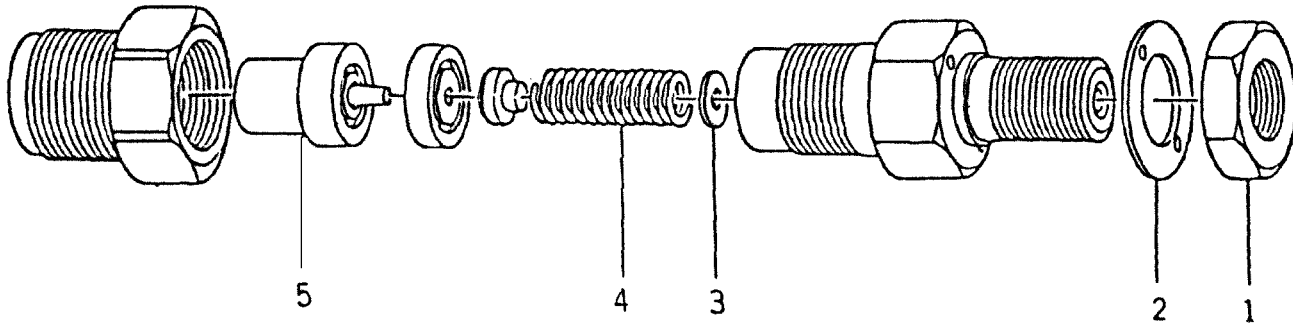


Fig. 4-10

KEY	PART NUMBER	QTY	DESCRIPTION	SERIAL NUMBER
••	131406470	1	Injector Assembly (includes keys #1 - #5)	-
1	131446069	1	Nut (Marine)	-
	131446987	1	Nut (Industrial)	-
2	131426210	1	Gasket	-
3	131437640	1	Shim	-
4	131446986	1	Spring	-
5	131416250	1	Nozzle	-

Fuel Feed Pump

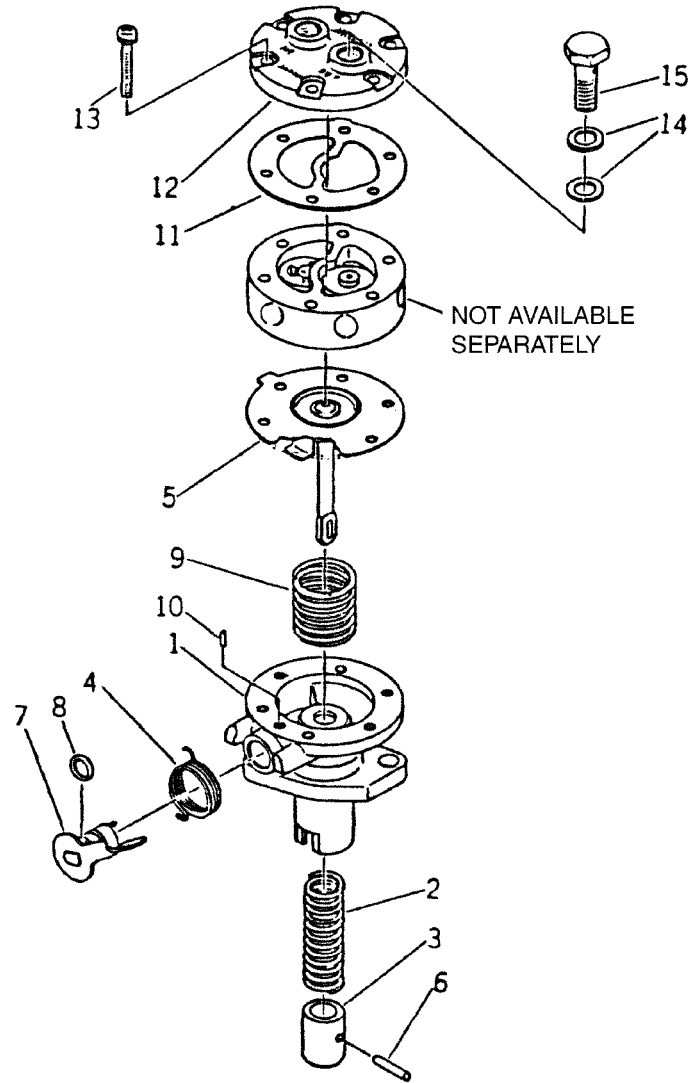


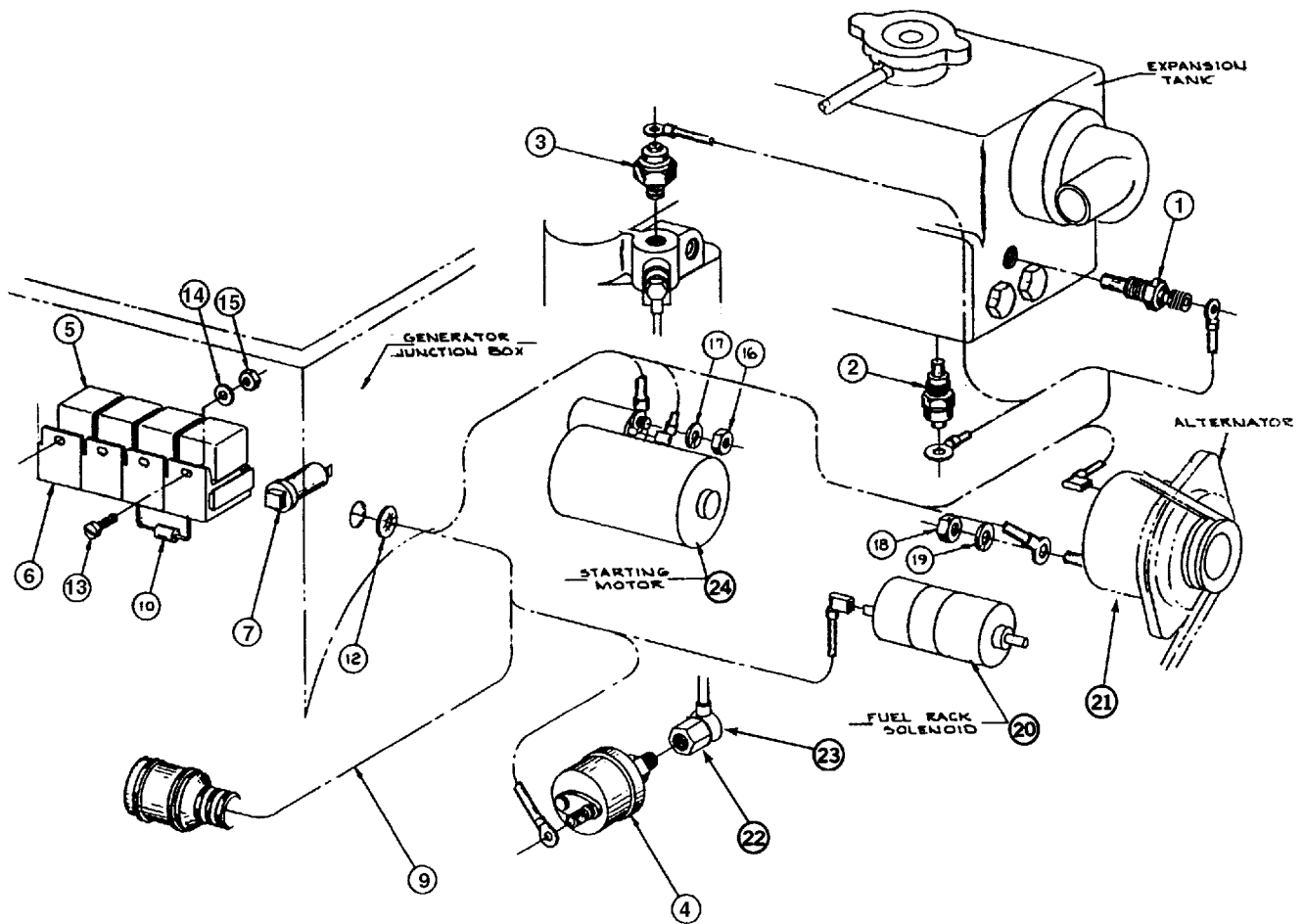
Fig. 4-11

KEY	PART NUMBER	QTY	DESCRIPTION	SERIAL NUMBER
••	130506140	1	Feed Pump Assembly (includes keys #1 - 15)	-
1	130516080	1	Housing*	-
2	130516081	1	Spring*	-
3	130516082	1	Piston*	-
4	130516083	1	Spring*	-
5	130516084	1	Diaphragm	-
6	130516085	1	Pin*	-
7	130516086	1	Lever*	-
8	131226180	1	O-ring*	-
9	130516087	1	Spring*	-
10	130516088	1	Guide*	-
11	130516101	1	Gasket	-
12	130516090	1	Cap*	-
13	130516091	6	Screw	-
14	130516069	4	Gasket	-
15	130516092	2	Joint Bolt	-

\*Not available separately

# Engine Electrical 12 Volt Standard Ground

Marine Units



## Engine Electrical 12 Volt Standard Ground

Marine Units

KEY	PART NUMBER	QTY	DESCRIPTION	SERIAL NUMBER
1	22-42055	1	Temperature Sender 250°F 3/8 NPT	-
	22-70226	1	Dual Station Temperature Sender 250°F 1/8 NPT *	-
2	38720110	1	Temperature Switch 95°C M16 X 1.5	-
3	185246011	1	Oil Pressure Switch 1/8 NPT	-
4	22-41016	1	Oil Pressure Sender 1/8 NPT	-
	22-71026	1	Dual Station Oil Pressure Sender 1/8 NPT	-
5	22-42047	4	Relay, 12 Volt SPDT	-
6	22-40391	4	Relay Base	-
	22-40393	4	Retainer	-
7	22-40674	1	Circuit Breaker 15 Amp - Screw mount type *	-
	22-42043	1	Circuit Breaker 15 Amp - Snap-in Type	-
8	22-92120	1	Control Panel S-1B (not shown,see detail)	-
9	22-48601	1	Engine Wire Harness - Round "Merc" Plug Connector	-
10	22-41060	2	Diode, 6 Amp 50 Volt PIV	-
11	22-40930	1	Wire Harness Extension 20' (not shown)	-
12	00-40028	1	Grommet	-
13	12-00094	2	Machine Screw #10- 32 x 3/8" S/S	-
14	15-00032	2	Flat Washer #10	-
15	14-00006	2	Hex Nut, Nylock #10- 32	-
16	14-00711	1	Hex Nut, M8 x 1.25	-
17	15-00702	1	Lock Washer M8	-
18	14-04401	1	Hex Nut M5 x 0.8	-
19	15-04400	1	Lock Washer M5	-
20	185206084	1	Stop Solenoid 12 Volt (see also Fuel System)	-
21	185046220	1	Alternator 12 Volt (see mounting detail)	-
22	198487590	1	Banjo Bolt - M8 x 1.25 x 18mm (Tapped 1/8 NPT)	-
23	140606701	1	Oil Line	-
24	185086551	1	Starter 12 Volt (see mounting detail)	-
25	21-04801	**	Elbow 90° Steel 1/8 NPT x 1/8 NPT (not shown)	-

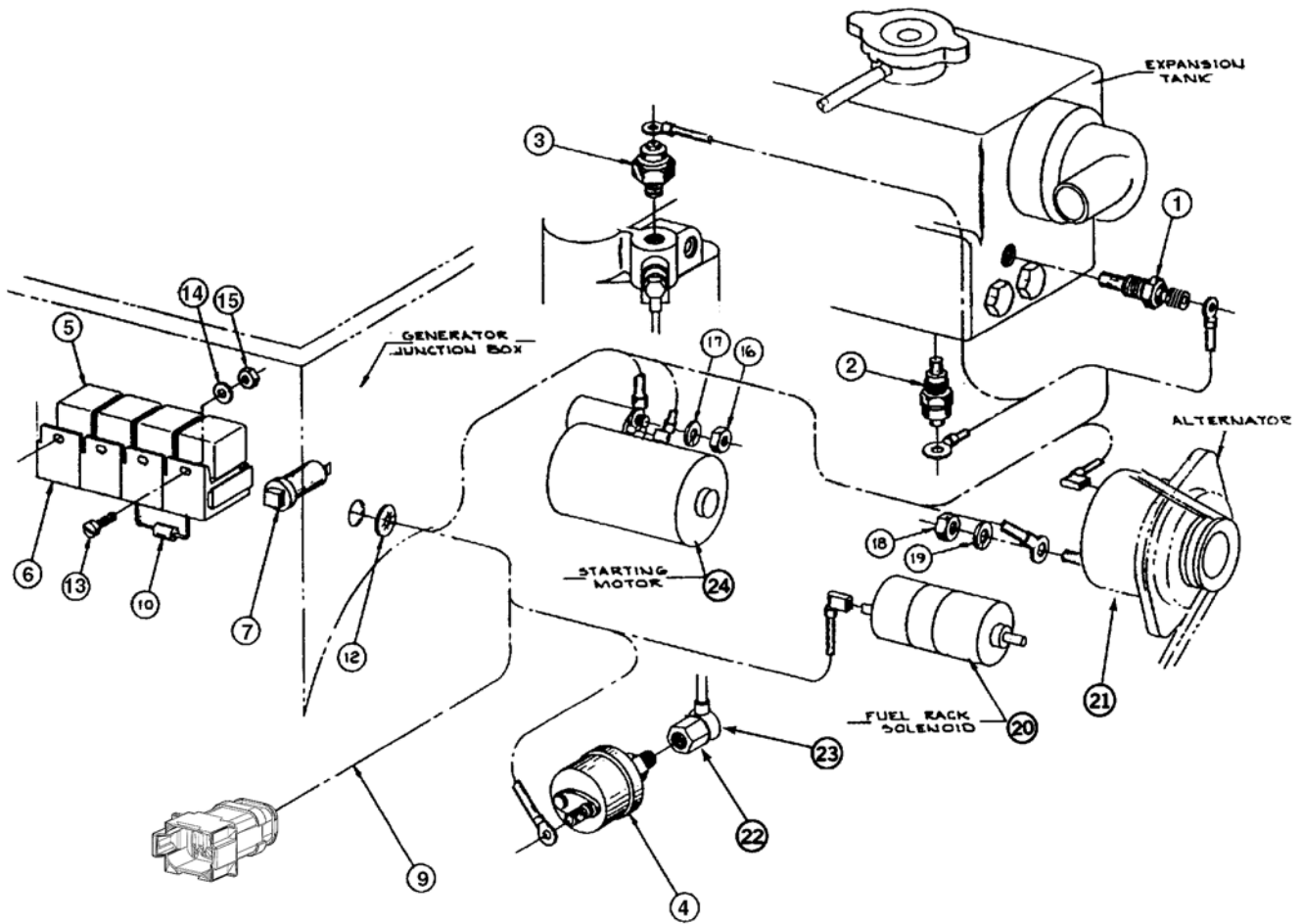
\* Replaces 22-40352 (NLA) Required 3/8 x 1/8 NPT Bushing 21-55201

\*\*As required

GROUP 5 – ELECTRICAL SYSTEM

Engine Electrical 12 Volt Standard Ground

B+ System Marine Units





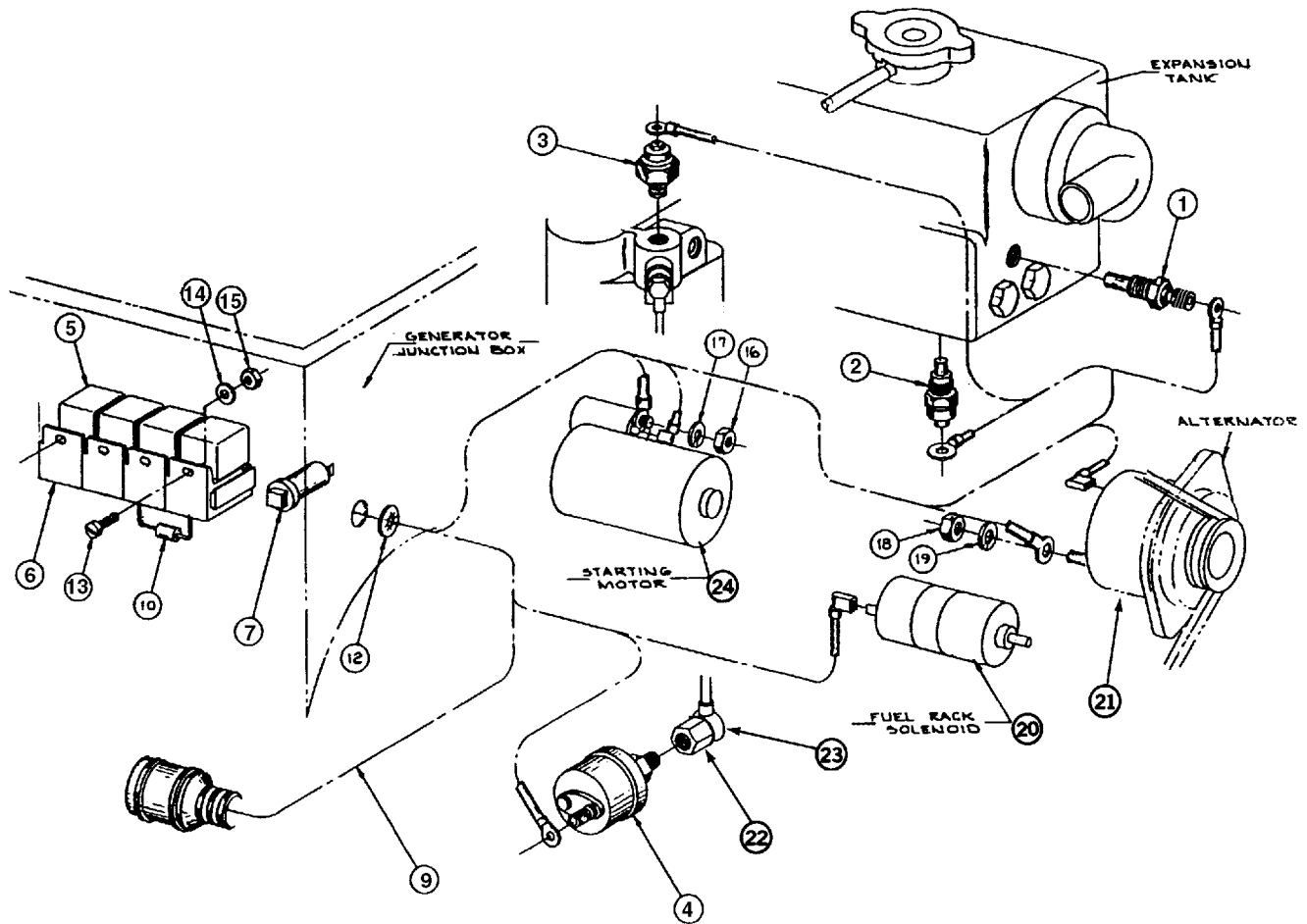
**Engine Electrical 12 Volt Standard Ground**

B+ System Marine Units

KEY	PART NUMBER	QTY	DESCRIPTION	SERIAL NUMBER
1	22-42055	1	Temperature Sender 250°F 3/8 NPT	-
	22-70226	1	Dual Station Temperature Sender 250°F 1/8 NPT *	-
2	38720110	1	Temperature Switch 95°C M16 X 1.5	-
3	185246011	1	Oil Pressure Switch 1/8 NPT 14.2 PSI	-
4	22-41016	1	Oil Pressure Sender 1/8 NPT	-
	22-71026	1	Dual Station Oil Pressure Sender 1/8 NPT	-
5	22-42047	4	Relay, 12 Volt SPDT	-
6	22-40391	4	Terminal Retainer	-
	22-40393	4	Retainer	-
7	22-40018	1	Circuit Breaker DC 15 Amp - Screw mount type *	-
8	22-95605	1	Control Panel S-1B (not shown,see detail)	-
9	22-48608	1	Engine Wire Harness - Round "Merc" Plug Connector	-
10	22-40299	2	Diode, 1 Amp 200 Volt PIV	-
11	22-49520	1	Wire Harness Extension 20' (not shown)	-
12	00-40028	1	Grommet	-
13	12-00094	2	Machine Screw #10- 32 x 3/8" S/S	-
14	15-00032	2	Flat Washer #10	-
15	14-00006	2	Hex Nut, Nylock #10- 32	-
16	14-00711	1	Hex Nut, M8 x 1.25	-
17	15-00702	1	Lock Washer M8	-
18	14-04401	1	Hex Nut M5 x 0.8	-
19	15-04400	1	Lock Washer M5	-
20	185206084	1	Stop Solenoid 12 Volt (see also Fuel System)	-
21	185046220	1	Alternator 12 Volt (see mounting detail)	-
22	198487590	1	Banjo Bolt - M8 x 1.25 x 18mm (Tapped 1/8 NPT)	-
23	140606701	1	Oil Line	-
24	185086551	1	Starter 12 Volt (see mounting detail)	-
25	21-04801	**	Elbow 90° Steel 1/8 NPT x 1/8 NPT (not shown)	-
			* Replaces 22-40352 (NLA) Requires 3/8 x 1/8 NPT Bushing 21-55201	
			**As required	

# Engine Electrical 12 Volt Isolated Ground

Marine Units



### Engine Electrical 12 Volt Isolated Ground

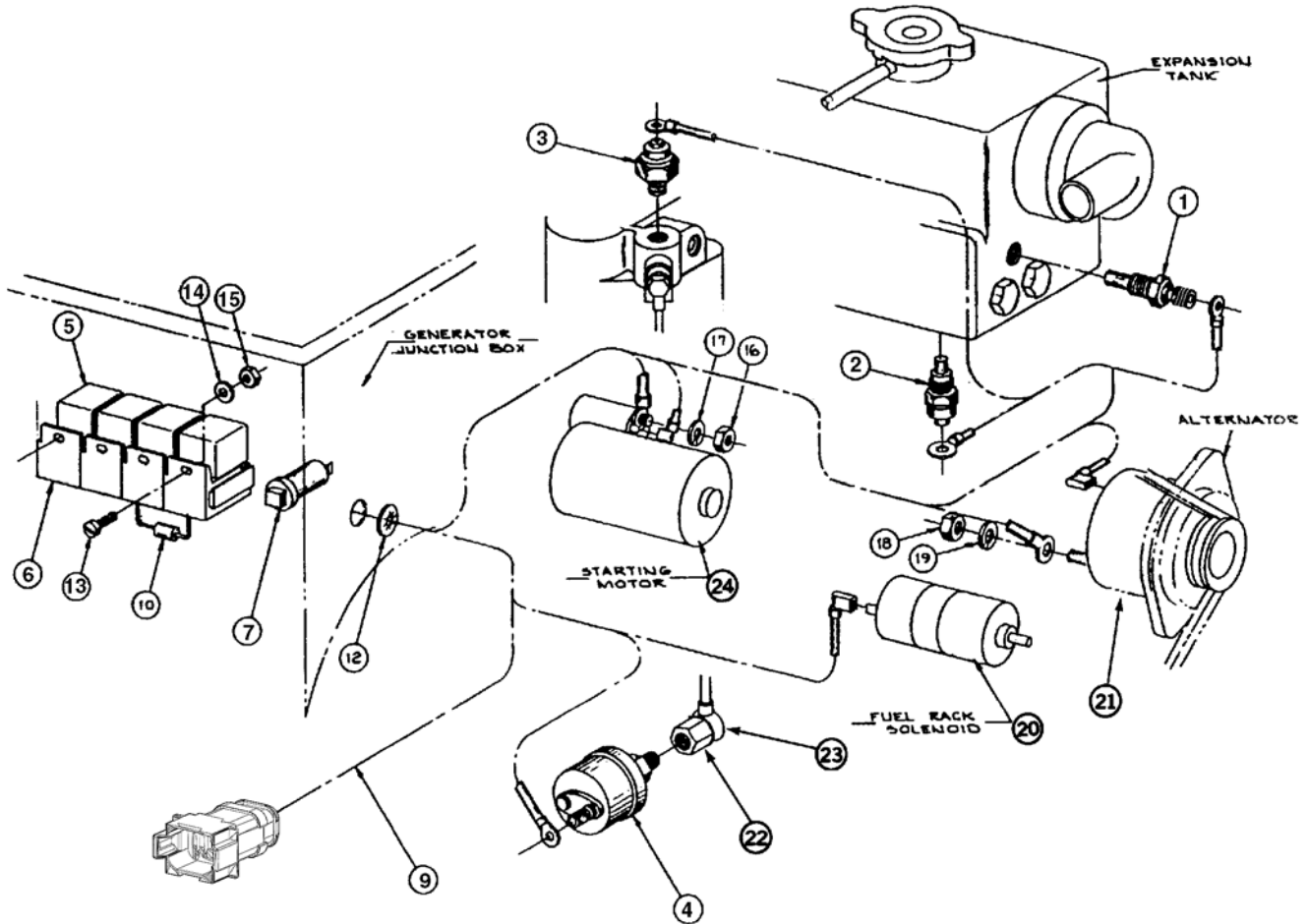
Marine Units

KEY	PART NUMBER	QTY	DESCRIPTION	SERIAL NUMBER
1	22-44810	1	Temperature Sender 250°F 3/8 NPT	-
	22-74802	1	Dual Station Temperature Sender 250°F 1/4 NPT *	-
2	22-40358	1	Temperature Switch 95°C M16 x 1.5	-
3	22-40236	1	Oil Pressure Switch 1/8 NPT	-
4	22-42803	1	Oil Pressure Sender 1/8 NPT	-
	22-74803	1	Dual Station Oil Pressure Sender 1/8 NPT	-
5	22-42047	4	Relay, 12 Volt SPDT	-
6	22-40391	4	Relay Base	-
	22-40393	4	Retainer	-
7	22-40674	1	Circuit Breaker 15 Amp (Screw Mount Type)	-
	22-42043	1	Circuit Breaker 15 Amps (Snap-In Type)	-
8	22-92120	1	Control Panel, S1-B (see detail)	-
9	22-48601	1	Engine Wire Harness - Round Merc Plug Connector	-
	22-78603	1	Harness Ground Circuit Addition	-
10	22-41060	2	Diode, 6 Amp 50 Volt PIV (included in 22-48601	-
11	22-40930	1	Wire Harness Extension 20' (not shown)	-
12	00-40028	1	Grommet	-
13	12-00094	2	Machine Screw #10-32 x 3/8" S/S	-
14	15-00032	2	Flat Washer #10	-
15	14-00006	2	Hex Nut, Nylock #10-32	-
16	14-00711	1	Hex Nut, M8 x 1.25	-
17	15-00702	1	Lock Washer M8	-
18	14-04401	1	Hex Nut, M5 x 0.8	-
19	15-04400	1	Lock Washer M5	-
20	185206192	1	Stop Solenoid 12 Volt (see also Fuel System)	-
21	22-48206	1	Alternator 12 Volt (see mounting detail)	-
22	198487590	1	Banjo Bolt M8 x 1.25 x 18mm (Tapped 1/8 NPT)	-
23	140606701	1	Oil Line	-
24	22-42079	1	Starter 12 Volt (see mounting detail)	-
25	21-21001	**	Street Tee Steel 1/8 NPT x 1/8 NPT (not shown)	-
26	21-00050	**	Plug 1/8 NPT (not shown)	-
			* Replaces 22-40353 (NLA) Requires 3/8" x 1/4" Bushing 21-51099	
			**As required	

GROUP 5 – ELECTRICAL SYSTEM

Engine Electrical 12 Volt Isolated Ground

B+ System Marine Units



**Engine Electrical 12 Volt Isolated Ground**

B+ System Marine Units

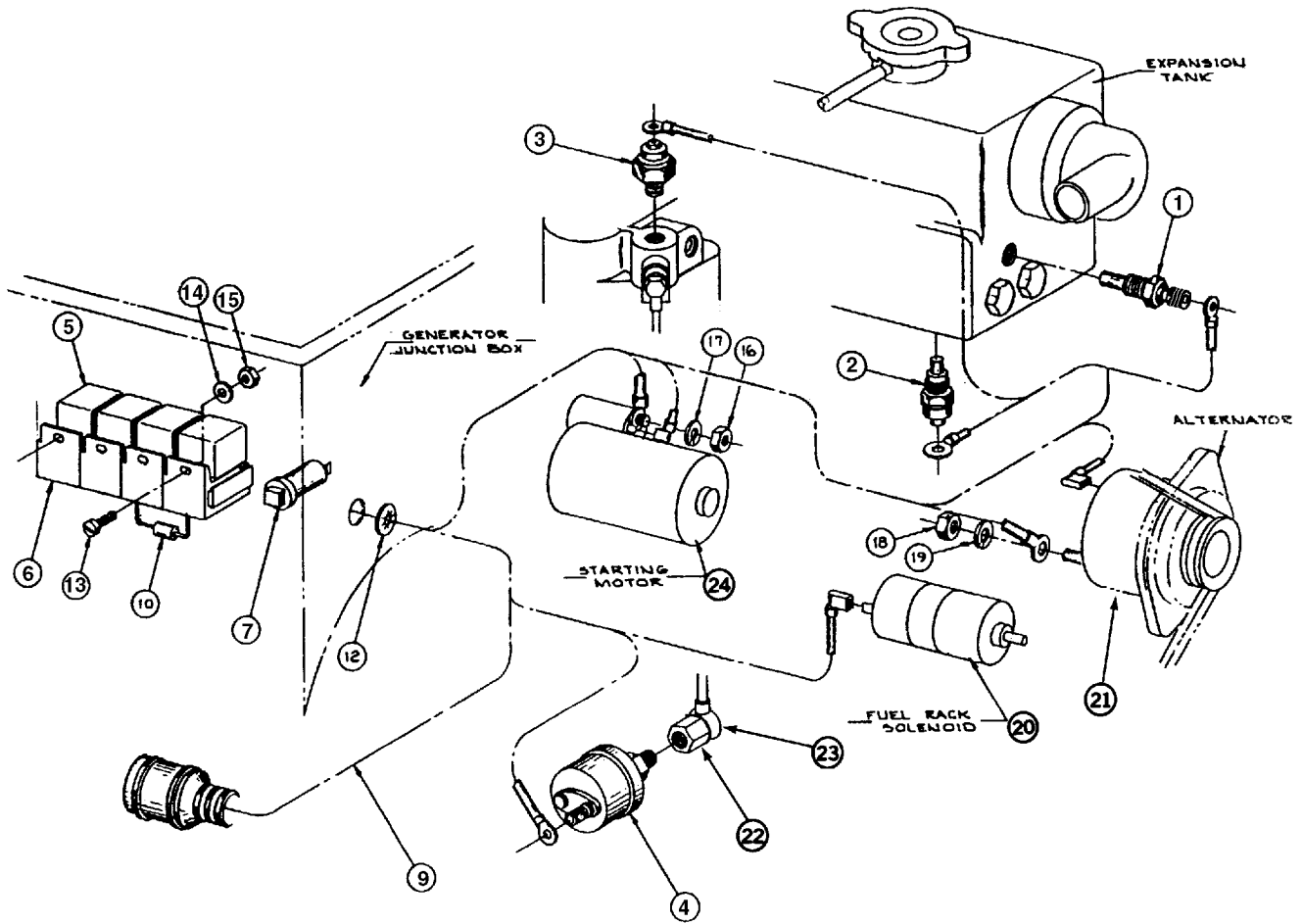
KEY	PART NUMBER	QTY	DESCRIPTION	SERIAL NUMBER
1	22-44810	1	Temperature Sender 250°F 3/8 NPT	-
	22-74802	1	Dual Station Temperature Sender 250°F 1/4 NPT *	-
2	22-40358	1	Temperature Switch 95°C M16 x 1.5	-
3	22-40236	1	Oil Pressure Switch 1/8 NPT	-
4	22-42803	1	Oil Pressure Sender 1/8 NPT	-
	22-74803	1	Dual Station Oil Pressure Sender 1/8 NPT	-
5	22-42047	4	Relay, 12 Volt SPDT	-
6	22-40391	4	Relay Base	-
	22-40393	4	Terminal Retainer	-
7	22-40018	1	Circuit Breaker, 10 Amp (Screw Mount Type)	-
8	22-95605	1	Control Panel, S1-B (see detail)	-
9	22-48608	1	Engine Wire Harness - Square Deutsch Plug Connector	-
	22-78603	1	Harness Ground Circuit Addition	-
10	22-40299	2	Diode, 1 Amp 200 Volt PIV (included in 22-48608)	-
11	22-45620	1	Wire Harness Extension 20' (not shown)	-
12	00-40028	1	Grommet	-
13	12-00094	2	Machine Screw #10-32 x 3/8" S/S	-
14	15-00032	2	Flat Washer #10	-
15	14-00006	2	Hex Nut, Nylock #10-32	-
16	14-00711	1	Hex Nut, M8 x 1.25	-
17	15-00702	1	Lock Washer M8	-
18	14-04401	1	Hex Nut, M5 x 0.8	-
19	15-04400	1	Lock Washer M5	-
20	185206192	1	Stop Solenoid 12 Volt (see also Fuel System)	-
21	22-48206	1	Alternator 12 Volt (see mounting detail)	-
22	198487590	1	Banjo Bolt M8 x 1.25 x 18mm (Tapped 1/8 NPT)	-
23	140606701	1	Oil Line	-
24	22-42079	1	Starter 12 Volt (see mounting detail)	-
25	21-21001	**	Branch Tee Steel 1/8 NPT x 1/8 NPT (not shown)	-
26	21-00050	**	Plug 1/8 BSPT	-

\* Replaces 22-40353 (NLA) requires  
3/8 NPT x 1/4 NPT Bushing 21-51099

\*\*As required

Engine Electrical 24 Volt Standard Ground

Marine Units



**Engine Electrical 24 Volt Standard Ground**

Marine Units

KEY	PART NUMBER	QTY	DESCRIPTION	SERIAL NUMBER
1	22-42055	1	Temperature Sender 250°F 3/8 NPT	-
	22-70226	1	Dual Station Temperature Sender 250°F 1/8 NPT *	-
2	385720110	1	Temperature Switch 95°C M16 X 1.5	-
3	185246011	1	Oil Pressure Switch 1/8 NPT	-
4	22-41016	1	Oil Pressure Sender 1/8 NPT	-
	22-71016	1	Dual Station Oil Pressure Sender 1/8 NPT	-
5	22-40085	4	Relay, 24 Volt SPDT	-
6	22-40391	4	Relay Base	-
	22-40393	4	Terminal Retainer	-
7	22-40674	1	Circuit Breaker, 15 Amp (Screw Mount Type)	-
	22-42043	1	Circuit Breaker 15 Amp (Snap-In Type)	-
8	22-92125	1	Control Panel, S1-B (see detail)	-
9	22-48601	1	Engine Wire Harness - with Round Merc Plug Connector	-
	22-48602	1	Wire Harness, Glow Plug Pulse Circuit	-
10	22-41060	2	Diode, 6 Amp 50 Volt PIV (included in 22-48601)	-
11	22-40930	1	Wire Harness Extension 20' (not shown)	-
12	00-40028	1	Grommet	-
13	12-00094	2	Machine Screw #10-32 x 3/8" S/S	-
14	15-00032	2	Flat Washer #10	-
15	14-00006	2	Hex Nut, Nylock #10-32	-
16	14-00711	1	Hex Nut, M8 x 1.25	-
17	15-00702	1	Lock Washer M8	-
18	14-04401	1	Hex Nut, M5 x 0.8	-
19	15-04400	1	Lock Washer M5	-
20	185206202	1	Stop Solenoid 24 Volt (see also Fuel System)	-
21	22-40278	1	Alternator 24 Volt 40 Amp (see mounting detail)	up to S/N
	22-48603	1	Alternator 24 Volt 25 Amp	from S/N
22	198487590	1	Banjo Bolt M8 x 1.25 x 18mm (Tapped 1/8 NPT)	xxxx-46361C
23	140606701	1	Oil Line	xxxx-46362C
24	22-42081	1	Starter 24 Volt (see mounting detail)	-
25	21-21001	**	Branch Tee Steel 1/8 NPT x 1/8 NPT (not shown)	-
26	22-48611	1	Timer	-
27	22-41079	1	Soleniod 24 VDC 85 Amp	-
28	23-48605	1	Bracket, Solenoid Mounting	-
29	12-00030	2	Capscrew, Hex Head M6 x 1.0 x 16mm	-
30	15-00008	4	Flat Washer M6	-
31	14-04803	2	Hex Nut, Nylock M12 x 1.0	-
32	12-50941	2	Capscrew, Hex Head M12 x 1.25 x 20mm S/S	-
33	15-00912	2	Laco Washer M12	-
34	12-09032	1	Capscrew, Hex Head M6 x 1.0 x 30mm S/S	-
35	15-01134	2	Flat Washer M6 S/S	-
36	14-01133	1	Hex Nut, Nylock M6 x 1.0	-
37	21-00050	**	Plug 1/8 BSPT	-

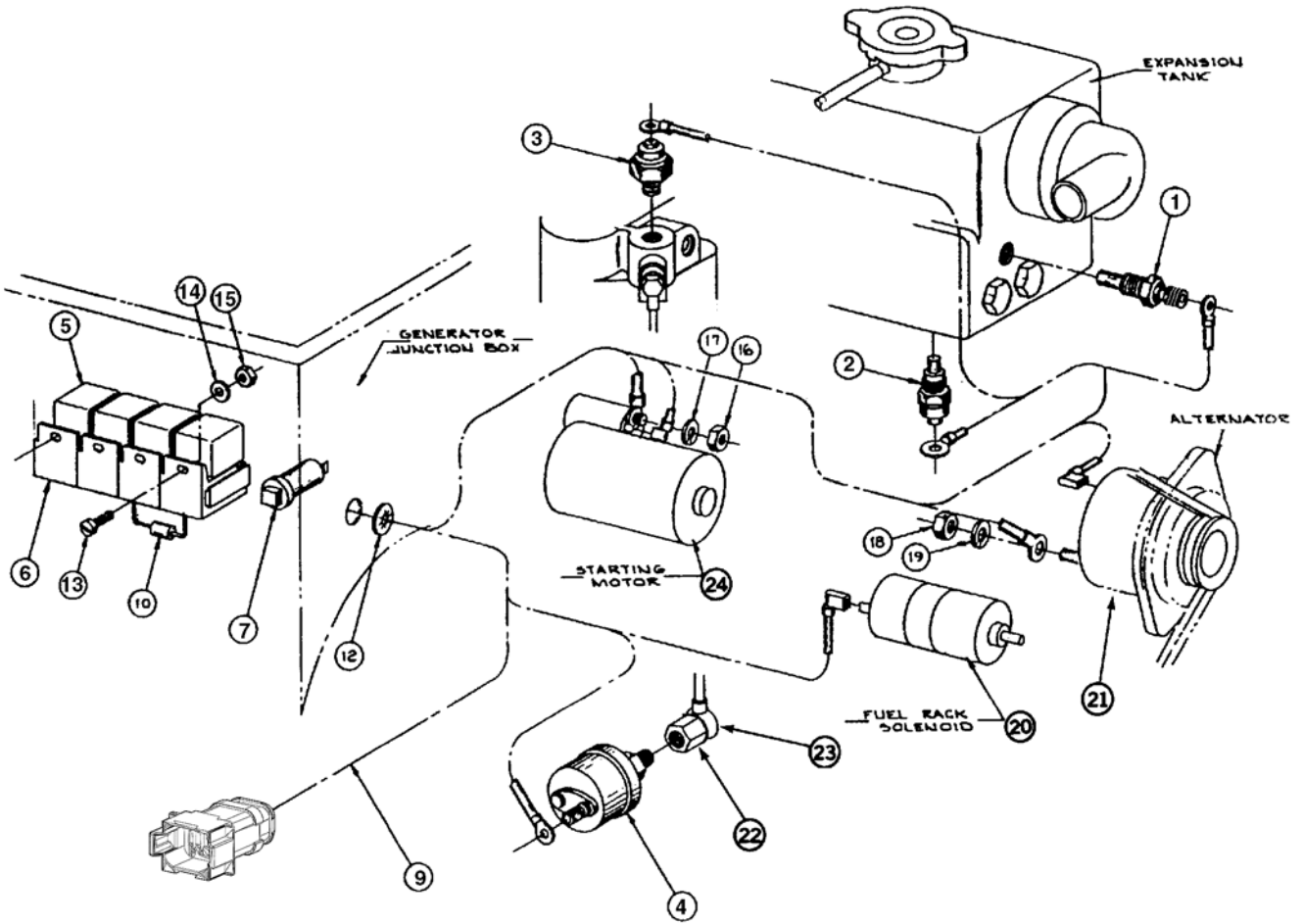
\* Replaces 22-40352 (NLA) requires  
3/8 NPT x 1/8 NPT Bushing 21-55201

\*\* As required

GROUP 5 – ELECTRICAL SYSTEM

**Engine Electrical 24 Volt Standard Ground**

B+ System Marine Units



A-6258 / C-2490A



## Engine Electrical 24 Volt Standard Ground

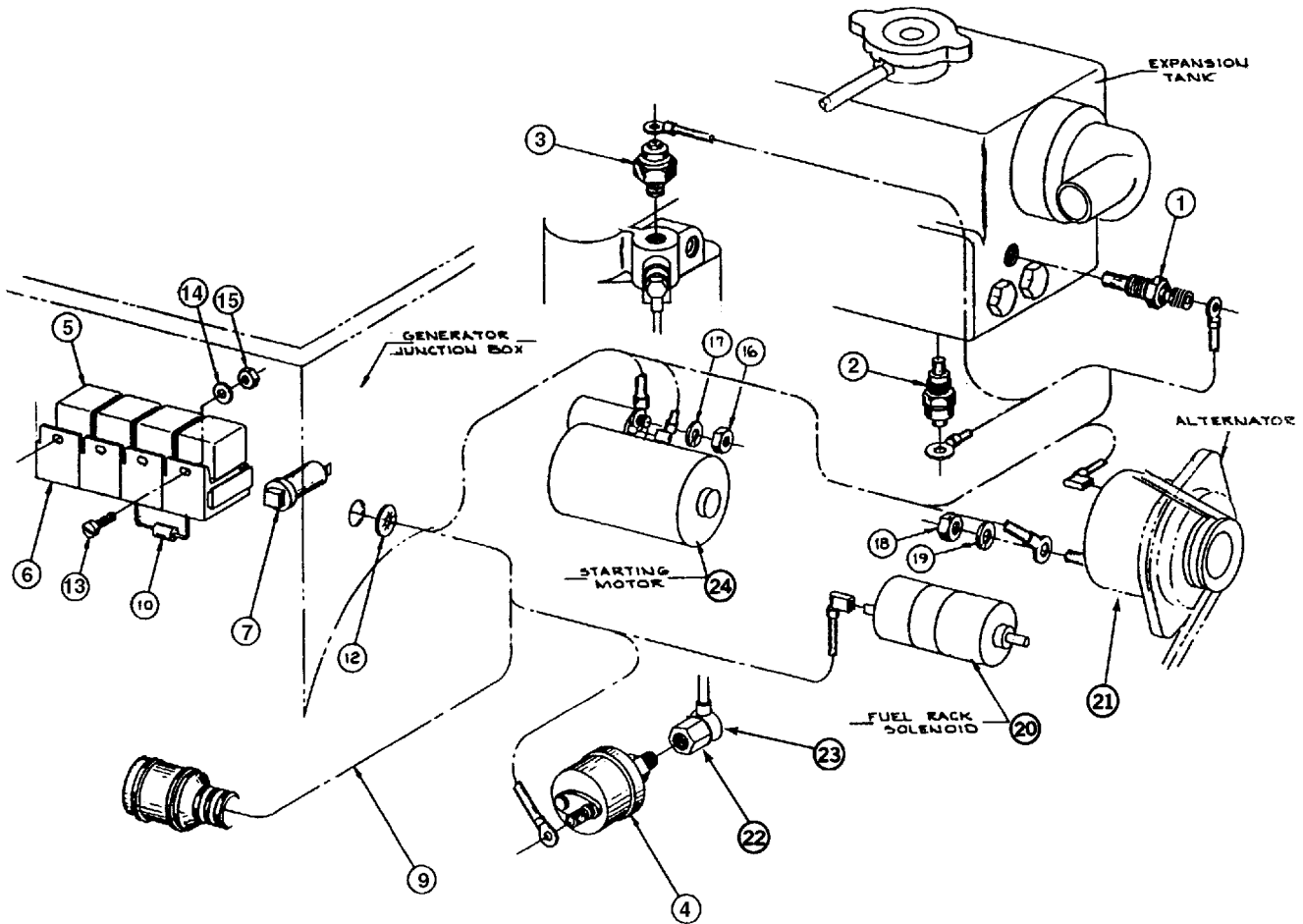
B+ System Marine Units

KEY	PART NUMBER	QTY	DESCRIPTION	SERIAL NUMBER
1	22-42055	1	Temperature Sender 250°F 3/8 NPT	-
	22-70226	1	Dual Station Temperature Sender 250°F 1/8 NPT *	-
2	385720110	1	Temperature Switch 95°C M16 X 1.5	-
3	185246011	1	Oil Pressure Switch 1/8 NPT	-
4	22-41016	1	Oil Pressure Sender 1/8 NPT	-
	22-71016	1	Dual Station Oil Pressure Sender 1/8 NPT	-
5	22-40085	4	Relay, 24 Volt SPDT	-
6	22-40391	4	Relay Base	-
	22-40393	4	Terminal Retainer	-
7	22-40018	1	Circuit Breaker, DC 10 Amp (Screw Mount Type)	-
8	22-95605	1	Control Panel, S1-B (see detail)	-
9	22-48608	1	Engine Wire Harness - with Square Deutsch Plug Connector	-
	22-48602	1	Wire Harness, Glow Plug Pulse Circuit	-
10	22-40299	2	Diode, 1 Amp 200 Volt PIV (included in 22-48608)	-
11	22-45620	1	Wire Harness Extension 20' (not shown)	-
12	00-40028	1	Grommet	-
13	12-00094	2	Machine Screw #10-32 x 3/8" S/S	-
14	15-00032	2	Flat Washer #10	-
15	14-00006	2	Hex Nut, Nylock #10-32	-
16	14-00711	1	Hex Nut, M8 x 1.25	-
17	15-00702	1	Lock Washer M8	-
18	14-04401	1	Hex Nut, M5 x 0.8	-
19	15-04400	1	Lock Washer M5	-
20	185206202	1	Stop Solenoid 24 Volt (see also Fuel System)	-
21	22-48603	1	Alternator 24 Volt 25 Amp	-
22	198487590	1	Banjo Bolt M8 x 1.25 x 18mm (Tapped 1/8 NPT)	-
23	140606701	1	Oil Line	-
24	22-42121	1	Starter 24 Volt (see mounting detail)	-
25	21-21001	1	Branch Tee Steel 1/8 NPT x 1/8 NPT (not shown)	-
26	22-48611	1	Timer	-
27	22-41079	1	Solenoid 24 VDC 85 Amp	-
28	23-48605	1	Bracket, Solenoid Mounting	-
29	12-00030	2	Capscrew, Hex Head M6 x 1.0 x 16mm	-
30	15-00008	4	Flat Washer M6	-
31	14-04803	2	Hex Nut, Nylock M12 x 1.0	-
32	12-50941	2	Capscrew, Hex Head M12 x 1.25 x 20mm S/S	-
33	15-00912	2	Lock Washer M12	-
34	12-09032	1	Capscrew, Hex Head M6 x 1.0 x 30mm S/S	-
35	15-01134	2	Flat Washer M6 S/S	-
36	14-01133	1	Hex Nut, Nylock M6 x 1.0	-
37	21-00050	1	Plug 1/8 BSPT	-

\* Replaces 22-40352 (NLA) requires  
3/8 NPT x 1/8 NPT Bushing 21-55201

Engine Electrical 24 Volt Isolated Ground

Marine Units



**Engine Electrical 24 Volt Isolated Ground**

Marine Units

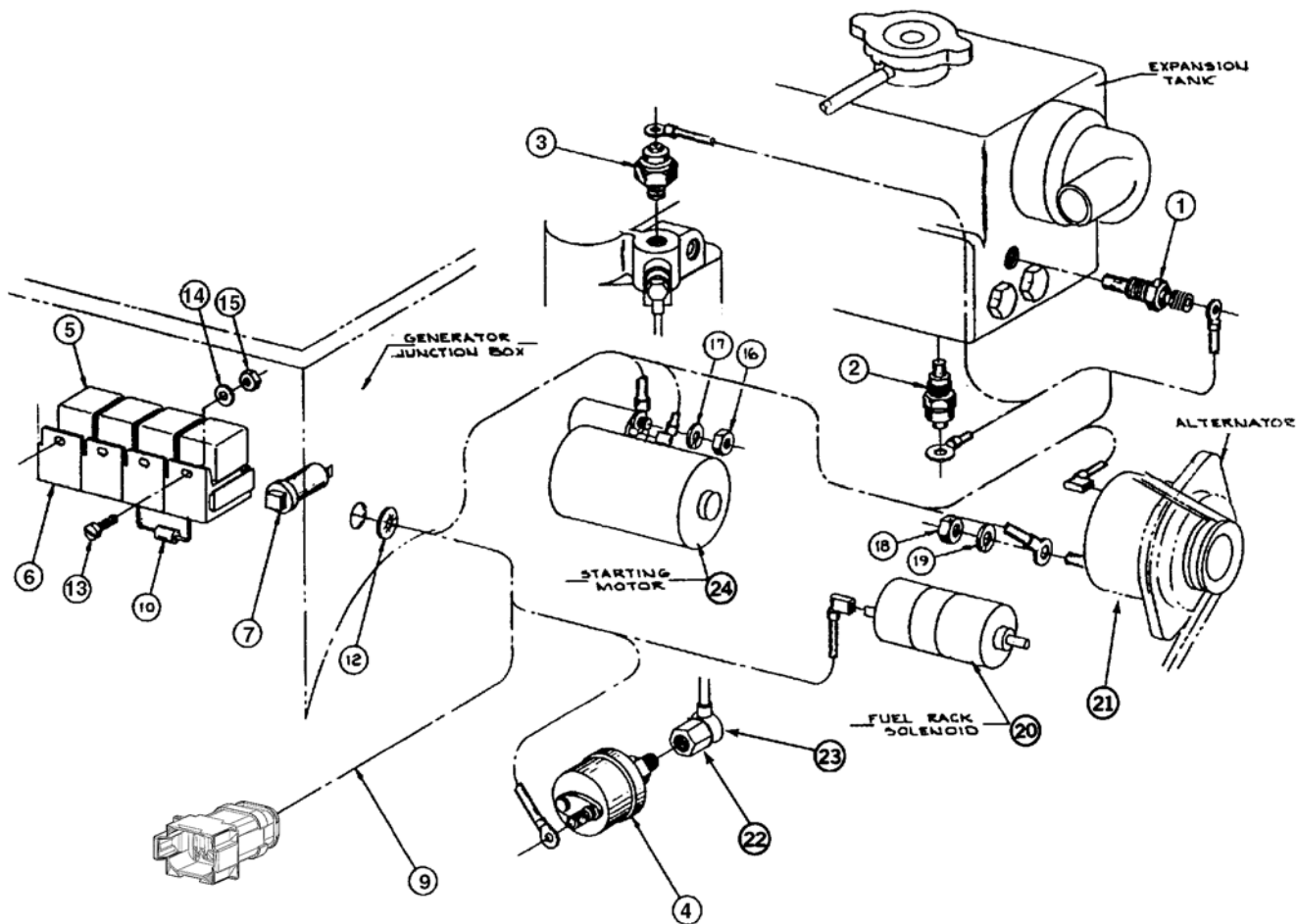
KEY	PART NUMBER	QTY	DESCRIPTION	SERIAL NUMBER
1	22-44810	1	Temperature Sender 250°F 3/8 NPT	-
	22-74802	1	Dual Station Temperature Sender 250°F 1/4 NPT *	-
2	22-40358	1	Temperature Switch 95°C M16 x 1.5	-
3	22-40236	1	Oil Pressure Switch 1/8 NPT	-
4	22-42803	1	Oil Pressure Sender 1/8 NPT	-
	22-74803	1	Dual Station Oil Pressure Sender 1/8 NPT	-
5	22-40085	4	Relay, 24 Volt SPDT	-
6	22-40391	4	Relay Base	-
	22-40393	4	Retainer	-
7	22-40674	1	Circuit Breaker, 15 Amp (Screw Mount Type)	-
	22-42043	1	Circuit Breaker, 15 Amp (Snap-in Type)	-
8	22-92125	1	Control Panel, S1-B (see detail)	-
9	22-48601	1	Engine Wire Harness - Round Merc Plug Connector	-
	22-48602	1	Harness Assembly, Glow Plug Pulse Circuit	-
10	22-41060	2	Diode, 6 Amp 50 Volt PIV	-
11	22-40930	1	Wire Harness Extension 20' (not shown)	-
12	00-40028	1	Grommet	-
13	12-00094	2	Machine Screw #10- 32 x 3/8" S/S	-
14	15-00032	2	Flat Washer #10	-
15	14-00006	2	Hex Nut, Nylock #10- 32	-
16	14-00711	1	Hex Nut, M8 x 1.25	-
17	15-00702	1	Lock Washer M8	-
18	14-04401	1	Hex Nut, M5 x 0.8	-
19	15-04400	1	Lock Washer M5	-
20	185206202	1	Stop Solenoid 24 Volt (see also Fuel System)	-
21	22-71052	1	Alternator 24 Volt 35 Amp (see mounting detail)	up to S/N from S/N
	22-48604	1	Alternator 24 Volt 25 Amp	xxxx-46361C xxxx-46362C
22	198487590	1	Banjo Bolt M8 x 1.25 x 18mm (Tapped 1/8 NPT)	-
23	140606701	1	Oil Line	-
24	22-42122	1	Starter 24 Volt (see mounting detail)	-
25	21-21001	**	Branch Tee Steel 1/8 NPT x 1/8 NPT (not shown)	-
26	22-48611	1	Timer	-
27	22-41079	1	Solenoid 24 Volt 85 Amp	-
28	23-48605	1	Bracket, Solenoid Mounting	-
29	12-00030	2	Capscrew, Hex Head M6 x 1.0 x 16mm	-
30	15-00008	4	Flat Washer M6	-
31	14-04803	2	Hex Nut, Nylock M12 x 1.0	-
32	12-50941	2	Capscrew, Hex Head M12 x 1.25 x 20mm S/S	-
33	15-00912	2	Lock Washer M12	-
34	12-09032	1	Capscrew, Hex Head M6 x 1.0 x 30mm S/S	-
35	15-01134	2	Flat Washer M6 S/S	-
36	14-01133	1	Nylock Nut, Nylock M6 x 1.0	-
37	21-00050	1	Plug 1/8 BSPT	-

\* Replaces 22-40353(NLA) requires  
3/8 NPT x 1/4 NPT Bushing 21-51099

GROUP 5 – ELECTRICAL SYSTEM

Engine Electrical 24 Volt Isolated Ground

B+ System Marine Units



**Engine Electrical 24 Volt Isolated Ground**

B+ System Marine Units

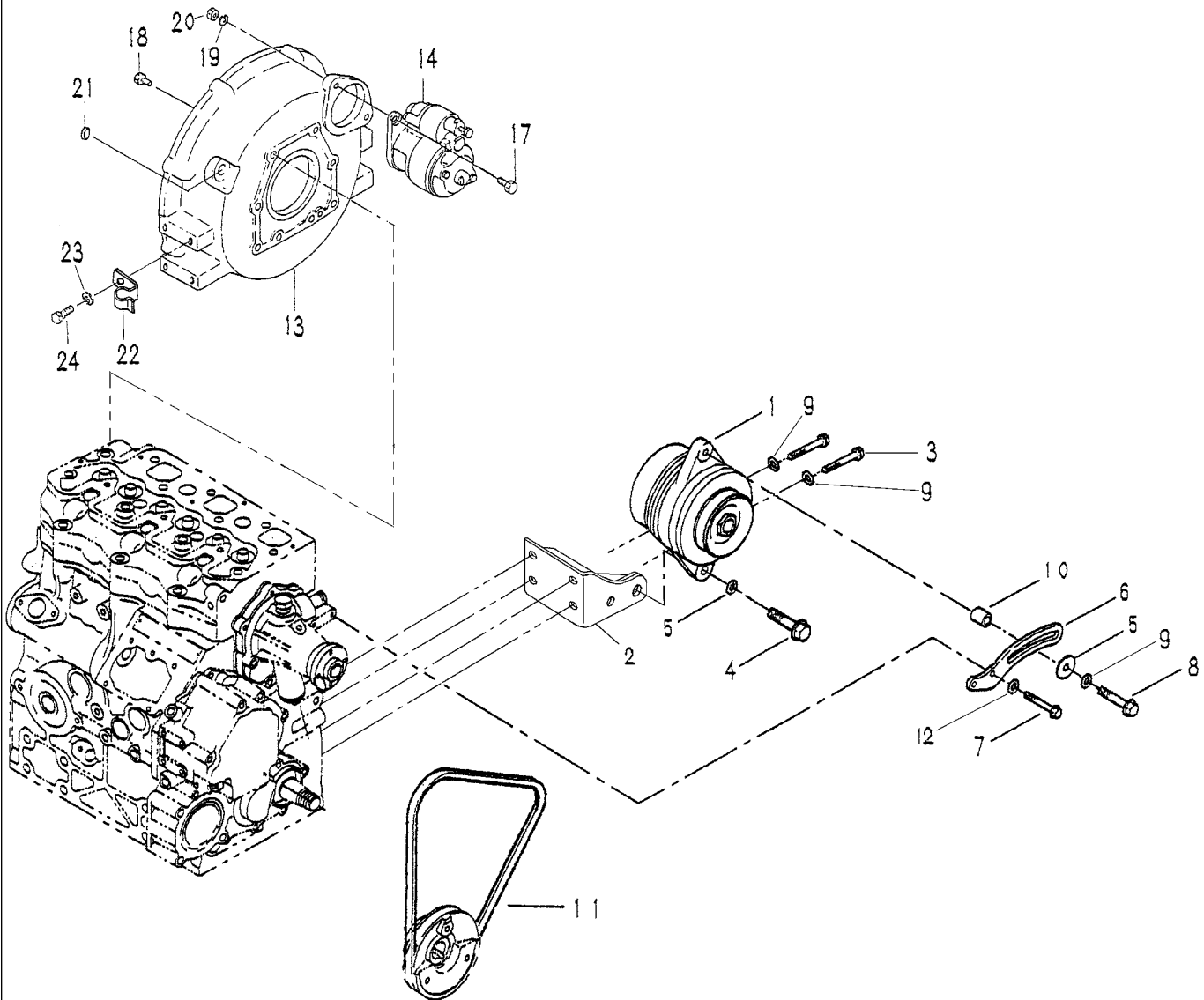
KEY	PART NUMBER	QTY	DESCRIPTION	SERIAL NUMBER
1	22-44810	1	Temperature Sender 250°F 3/8 NPT	-
	22-74802	1	Dual Station Temperature Sender 250°F 1/4 NPT *	-
2	22-40358	1	Temperature Switch 95°C M16 x 1.5	-
3	22-40236	1	Oil Pressure Switch 1/8 NPT	-
4	22-42803	1	Oil Pressure Sender 1/8 NPT	-
	22-74803	1	Dual Station Oil Pressure Sender 1/8 NPT	-
5	22-40085	4	Relay, 24 Volt SPDT	-
6	22-40391	4	Relay Base	-
	22-40393	4	Terminal Retainer	-
7	22-40018	1	Circuit Breaker, DC 10 Amp (Screw Mount Type)	-
8	22-95605	1	Control Panel, S1-B (see detail)	-
9	22-48608	1	Engine Wire Harness - Square Deutsch Plug Connector	-
	22-48602	1	Harness Assembly, Glow Plug Pulse Circuit	-
10	22-40299	2	Diode, 1 Amp 200 Volt PIV (included in 22-48604)	-
11	22-45620	1	Wire Harness Extension 20' (not shown)	-
12	00-40028	1	Grommet	-
13	12-00094	2	Machine Screw #10- 32 x 3/8" S/S	-
14	15-00032	2	Flat Washer #10	-
15	14-00006	2	Hex Nut, Nylock #10- 32	-
16	14-00711	1	Hex Nut, M8 x 1.25	-
17	15-00702	1	Lock Washer M8	-
18	14-04401	1	Hex Nut, M5 x 0.8	-
19	15-04400	1	Lock Washer M5	-
20	185206202	1	Stop Solenoid 24 Volt (see also Fuel System)	-
21	22-48604	1	Alternator 24 Volt 25 Amp	-
22	198487590	1	Banjo Bolt M8 x 1.25 x 18mm (Tapped 1/8 NPT)	-
23	140606701	1	Oil Line	-
24	22-42122	1	Starter 24 Volt (see mounting detail)	-
25	21-21001	1	Branch Tee Steel 1/8 NPT x 1/8 NPT (not shown)	-
26	22-48611	1	Timer	-
27	22-41079	1	Solenoid 24 Volt 85 Amp	-
28	23-48605	1	Bracket, Solenoid Mounting	-
29	12-00030	2	Capscrew, Hex Head M6 x 1.0 x 16mm	-
30	15-00008	4	Flat Washer M6	-
31	14-04803	2	Hex Nut, Nylock M12 x 1.0	-
32	12-50941	2	Capscrew, Hex Head M12 x 1.25 x 20mm S/S	-
33	15-00912	2	Lock Washer M12	-
34	12-09032	1	Capscrew, Hex Head M6 x 1.0 x 30mm S/S	-
35	15-01134	2	Flat Washer M6 S/S	-
36	14-01133	1	Nylock Nut, Nylock M6 x 1.0	-
37	21-00050	**	Plug 1/8 BSPT	-

Note: #26 - 36 Required for glow plug operation

\* Replaces 22-40353(NLA) requires  
3/8 NPT x 1/4 NPT Bushing 21-51099

GROUP 5 – ELECTRICAL SYSTEM

Small Frame Alternators and Starter



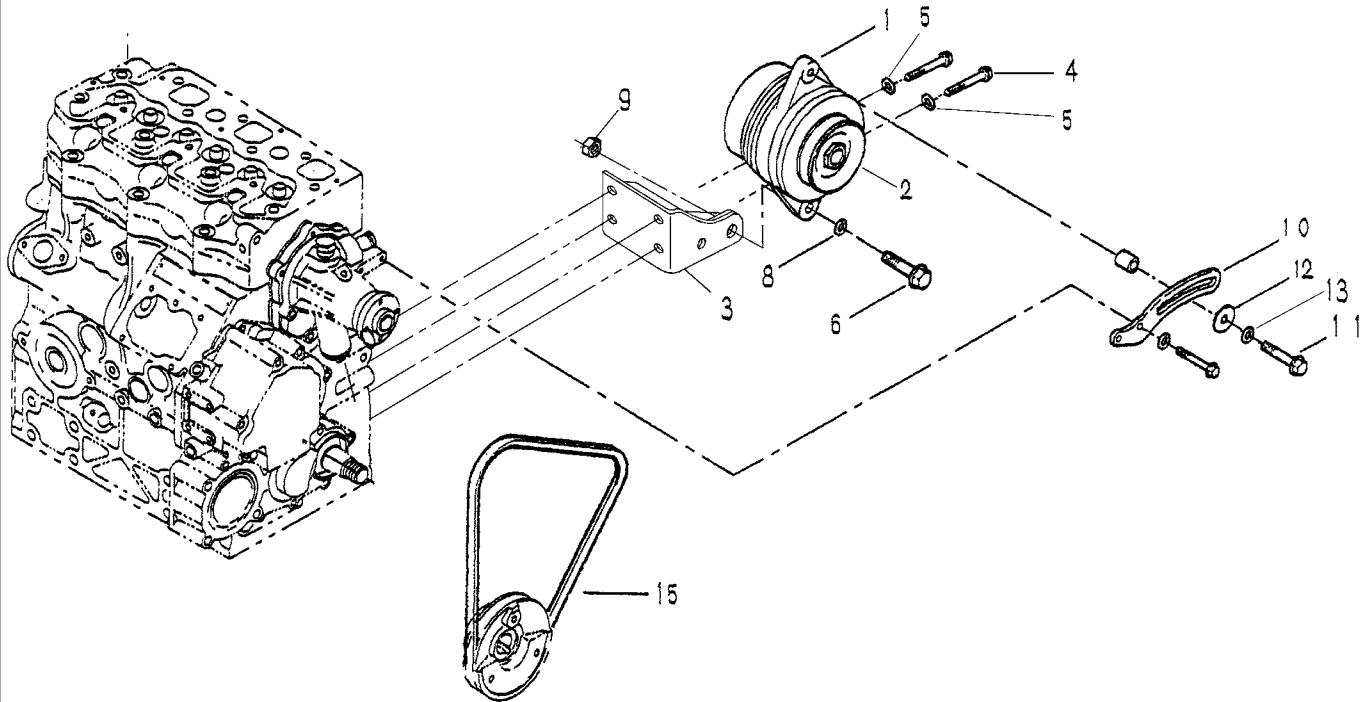
773altandstarter

### Small Frame Alternators and Starter

KEY	PART NUMBER	QTY	DESCRIPTION	SERIAL NUMBER
1	185046220	1	Alternator 12 Volt, 40 Amp Standard Ground	-
	22-48206	1	Alternator 12 Volt, 40 Amp Isolated Ground	-
	22-48603	1	Alternator 24 Volt 25 Amp Standard Ground	-
	22-48604	1	Alternator 24 Volt 25 Amp Isolated Ground	-
2	23-48601	1	Bracket, Alternator Mounting	-
3	12-09712	2	Capscrew, Hex Head M8 x 1.25 x 25 mm S/S	-
4	12-09814	1	Capscrew, Hex Head M10 x 1.5 x 35 mm S/S	-
5	15-09805	2	Flat Washer M10 S/S	-
6	23-48602	1	Tensioning Arm	-
7	12-01102	2	Capscrew, Hex Head M6 x 1.0 x 16 mm S/S	-
8	12-09714	1	Capscrew, Hex Head M8 x 1.25 x 40 mm S/S	-
9	15-00705	2	Lock Washer M8 S/S	-
10	199236680	1	Spacer	-
11	40-08601	1	Drive Belt (use with 185046220 & 22-48603)	-
	40-08604	1	Drive Belt (use with 22-48206 & 22-48604)	-
12	15-00610	2	Lock Washer M6 S/S	-
13	110446421	1	Flywheel Housing	-
14	185086551	1	Starter, 12 Volt (see parts detail)	-
	22-42079	1	Starter, 12 Volt Isolated Ground	-
	22-42121	1	Starter, 24 Volt Standard Ground (former #22-42081)	-
	22-42122	1	Starter, 24 Volt Isolated Ground (former #22-42082)	-
17	01435-01045	2	Capscrew, Hex Head M10 x 1.5 x 45 mm (use with starters #185086551 & 22-42079)	-
	01435-01050	2	Capscrew, Hex Head M10 x 1.5 x 50 mm (use with starters #22-42081 & 22-42082 - 21-42121 - 22-42122))	-
18	010311020	8	Bolt	-
19	027100010	2	Spring Washer	-
20	020900010	2	Nut	-
21	398460090	1	Plug (Marine)	-
	398460091	1	Plug (Industrial)	-
22	140976080	1	Bracket	-
23	027100010	1	Spring Washer	-
24	199436350	1	Bolt	-

**GROUP 5 – ELECTRICAL SYSTEM**

**Medium Frame Alternators 24 V/ 40 Amp & 24V/ 35 Amp**



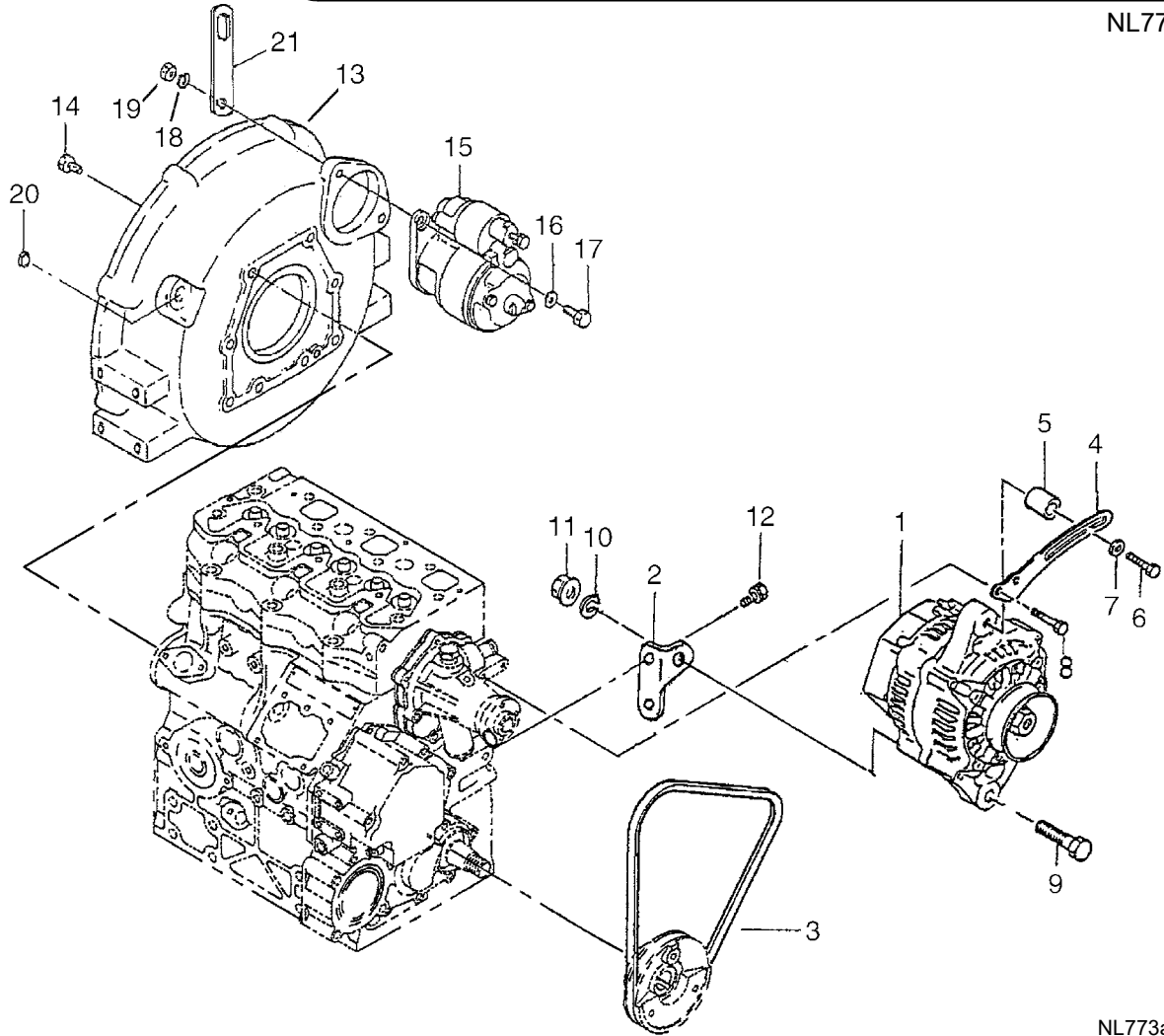
A-9711, A-9712

KEY	PART NUMBER	QTY	DESCRIPTION	SERIAL NUMBER
1	22-71052	1	Alternator 24 Volt, 35 Amp Isolated Ground	-
	22-40278	1	Alternator 24 Volt, 40 Amp Standard Ground	-
2	34-41017	1	Pulley	-
3	23-48603	1	Bracket, Medium Frame Alternator Mtg.	-
4	12-00776	4	Capscrew, Hex Head M8 x 1.25 x 20 mm S/S	-
5	15-00705	4	Lock Washer, Helical M8 S/S	-
6	12-00517	1	Capscrew, Hex Head 1/2-13 x 2-1/4"	-
8	15-00504	2	Flat Washer 1/2" SAE	-
9	14-00512	1	Hex Nut, Nylock 1/2-13	-
10	23-48604	1	Tensioning Arm	-
11	12-09212	1	Capscrew, Hex Head 5/16-18 x 1" S/S	-
12	15-00201	1	Stud Washer 5/16	-
13	15-00222	1	Lock Washer, Helical 5/16 S/S	-
14	22-70048	1	Diode Harness Addition (not shown)	-
15	40-08603	1	Drive Belt	-



Starter, Alternator, and Flywheel

NL773LW3

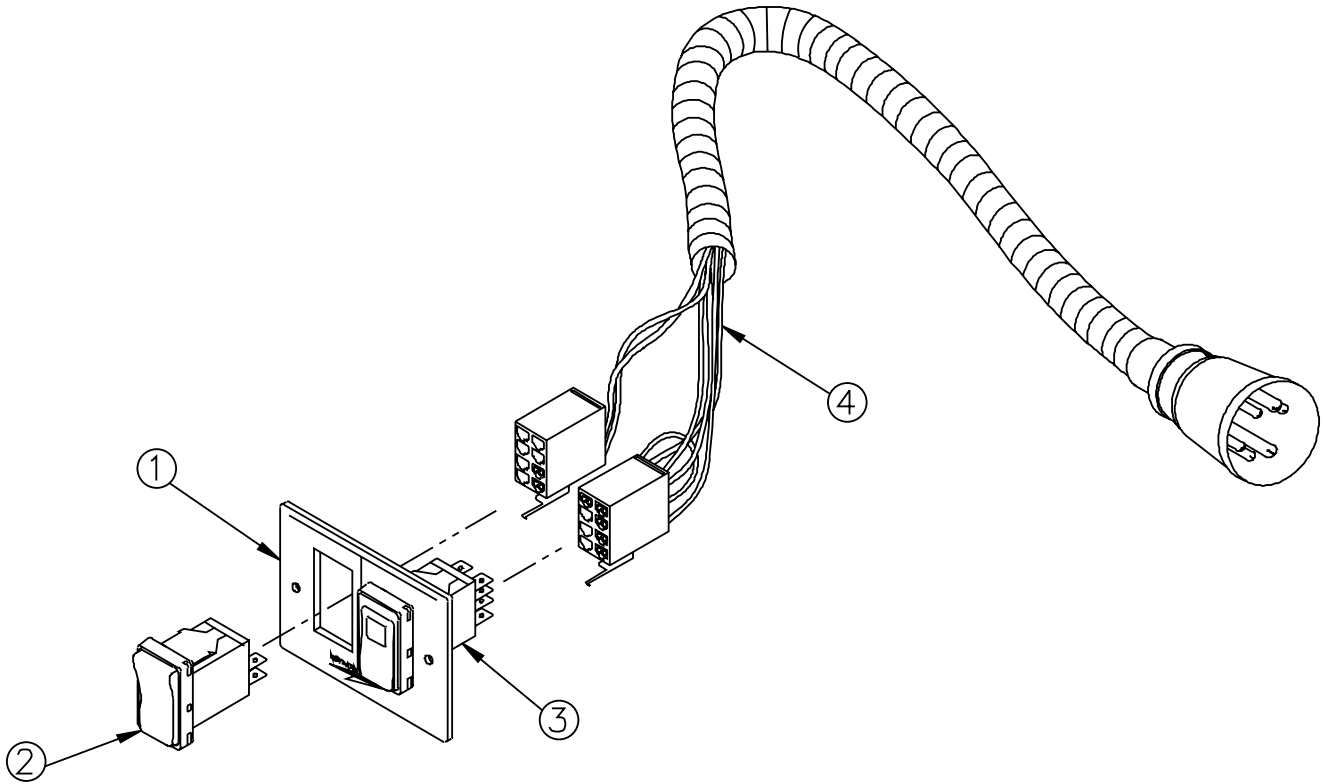


NL773alt&starter

KEY	PART NUMBER	QTY	DESCRIPTION	SERIAL NUMBER
1	185046220	1	Alternator, 12 Volt 40 Amp	-
2	185976220	1	Bracket	-
3	40-08605	1	Drive Belt (former # 080109108)	-
4	185726971	1	Tensioning Arm	-
5	199236680	1	Collar	-
6	011510840	1	Bolt	-
7	026109017	1	Washer	-
8	011310614	2	Bolt	-
9	010311045	1	Bolt	-
10	027100010	1	Spring Washer	-
11	020900010	1	Nut	-
12	011310820	2	Bolt	-
13	110446363	1	Flywheel Housing	-
14	010311020	8	Bolt	-
15	185086551	1	Starting Motor 12 Volt	-
16	026100010	2	Washer	-
17	010311045	2	Bolt	-
18	027100010	2	Spring Washer	-
19	020900010	2	Nut	-
20	398460091	1	Plug	-
21	195816100	1	Lifting Eye	-

GROUP 5 – ELECTRICAL SYSTEM

S-1 Control Panel 12 & 24 Volt

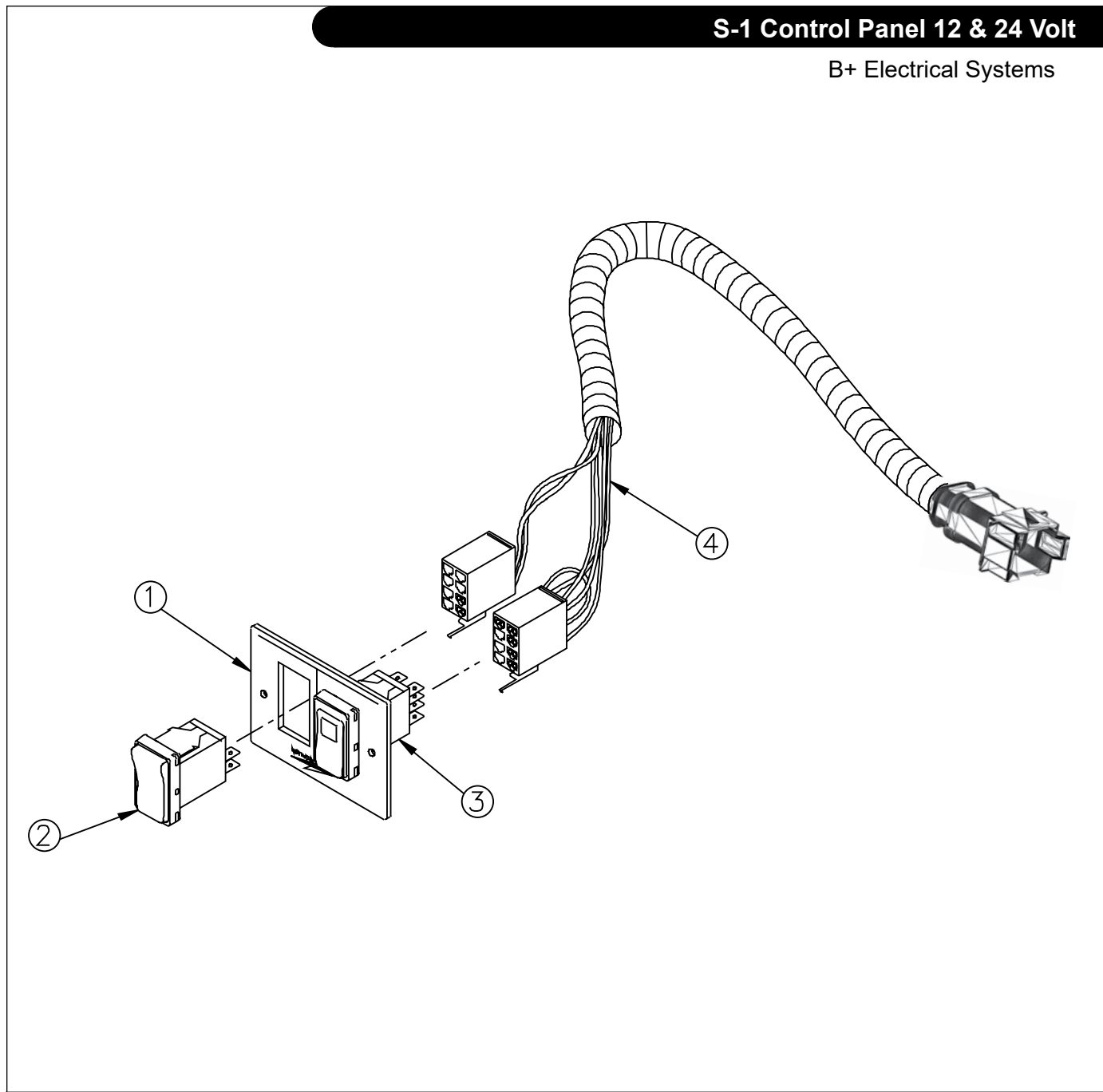


A-8551, A-8552 / B-5970

KEY	PART NUMBER	QTY	DESCRIPTION	SERIAL NUMBER
••	22-92110	1	S-1 Start/Stop Control Panel, 12 Volt (includes all keys)	-
••	22-92115	1	S-1 Start/Stop Control Panel, 24 Volt (includes all keys)	-
1	00-40013	1	Plate, S-1 Control Panel	-
2	22-90167	1	Rocker Switch	-
3	22-90168	1	Rocker Switch	-
4	22-42066	1	Wire Harness, 12 Volt	-
	22-42067	1	Wire Harness, 24 Volt	-
5	00-00013	1	Label "12 Volt" *	-
	00-00014	1	Label "24 Volt" *	-
6	22-40012	1	Resistor, 200 Ohm, 3 Watt (24 Volt Panel only) *	-
			*Not shown	

**S-1 Control Panel 12 & 24 Volt**

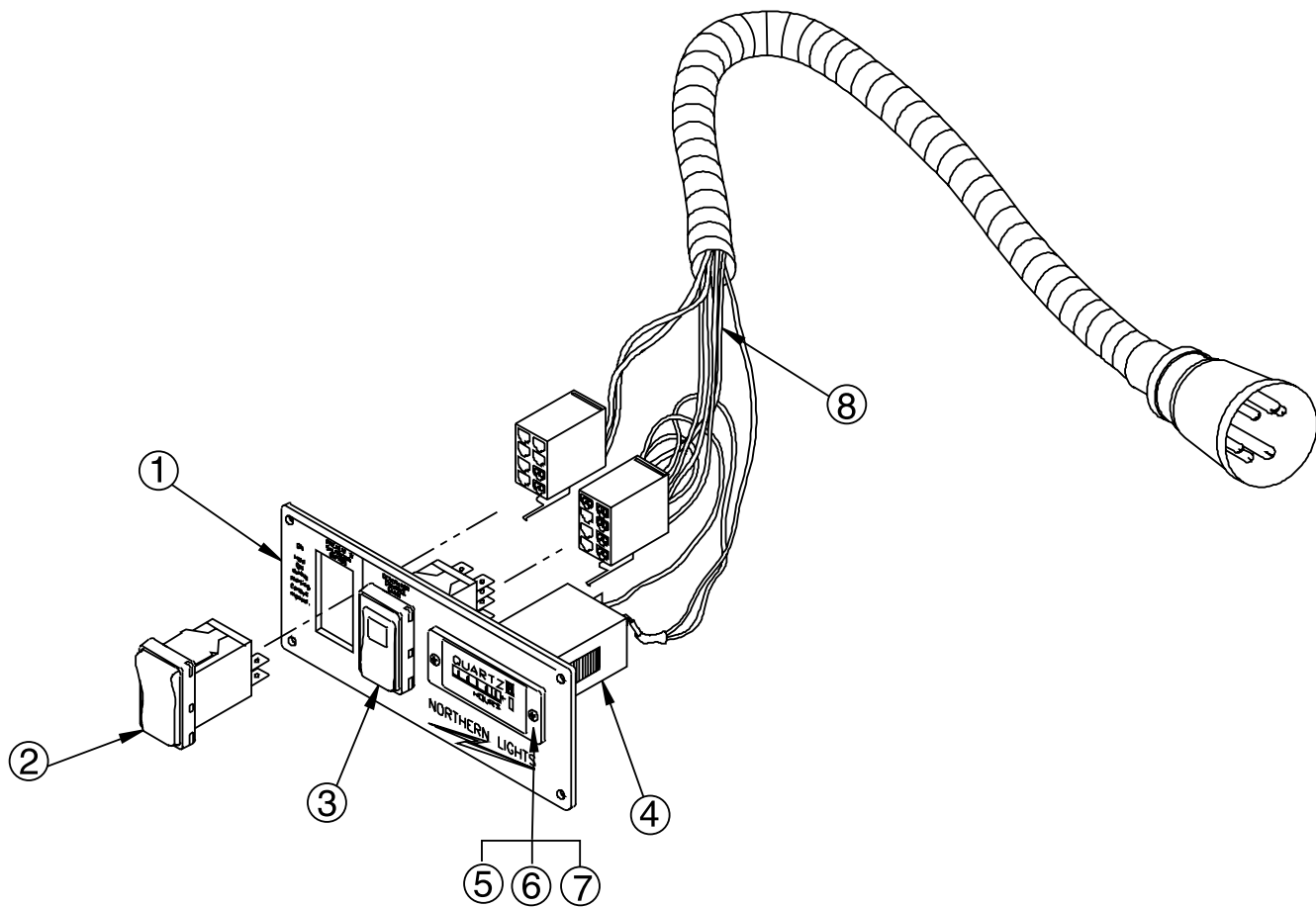
B+ Electrical Systems



KEY	PART NUMBER	QTY	DESCRIPTION	SERIAL NUMBER
••	22-95600	1	S-1 Start/Stop Control Panel (includes all keys)	-
1	00-40013	1	Plate, S-1 Control Panel	-
2	22-90167	1	Rocker Switch, Momentary (On)-Off	-
3	22-90362	1	Rocker Switch, Momentary (On)-Off-(On) Green Lamp	-
4	22-45602	1	Wire Harness	-
5	00-00048	1	Label "12-24 Volt" (Not Shown)	-

GROUP 5 – ELECTRICAL SYSTEM

**Series 1-B Start-Stop Control Panel 12 & 24 Volt**

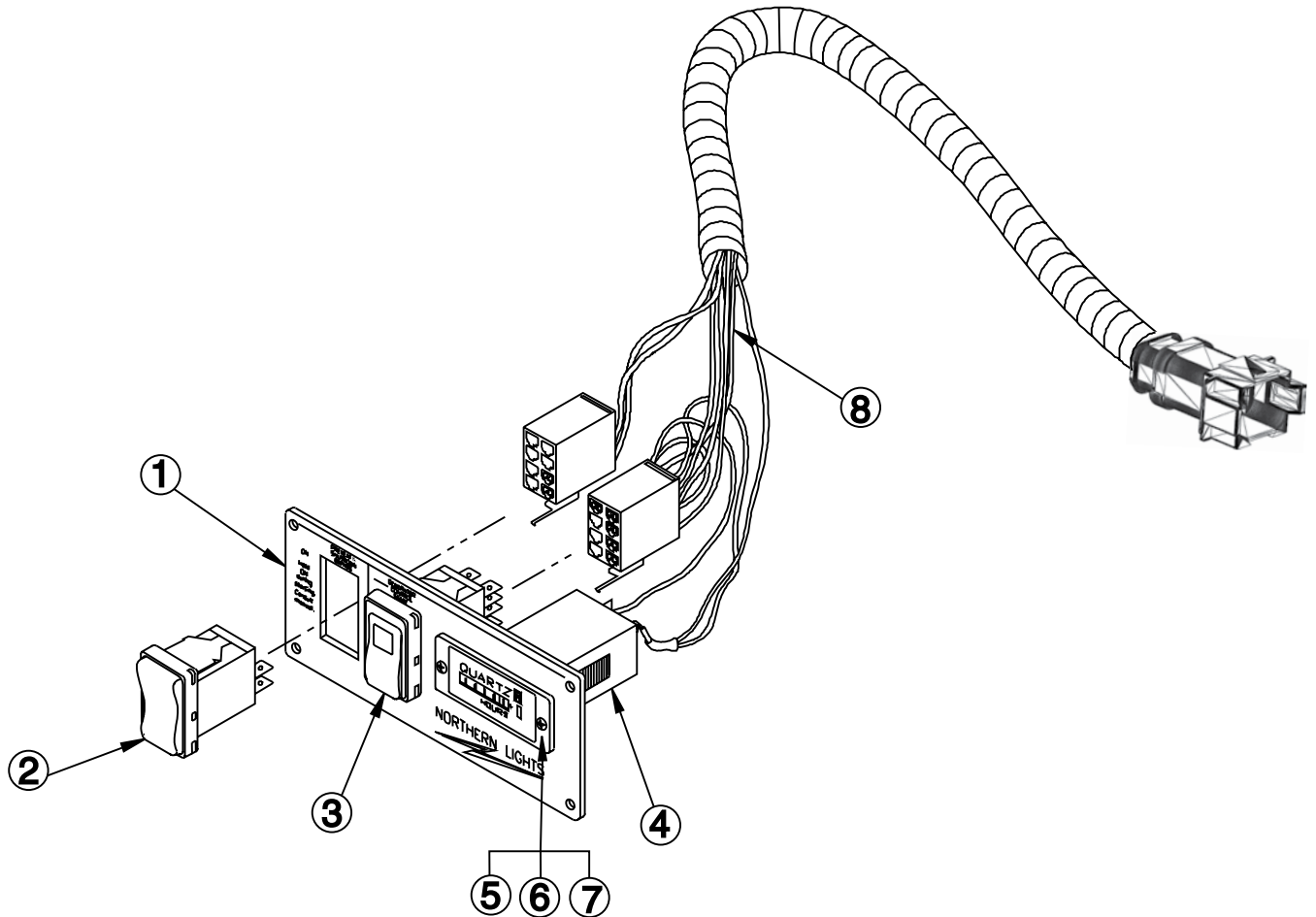


A-8553/ B-5971

KEY	PART NUMBER	QTY	DESCRIPTION	SERIAL NUMBER
••	22-92120	1	S 1-B Start/Stop Control Panel - 12 Volt (includes all keys)	-
••	22-92125	1	S 1-B Start/Stop Control Panel - 24 Volt (includes all keys)	-
1	28-90003	1	Plate	-
2	22-90167	1	Rocker Switch	-
3	22-90168	1	Rocker Switch	-
4	22-90009	1	Hour Meter	-
5	12-00093	2	Machine Screw, Round Head Philips #6 - 32 x 1/2"	-
6	15-00030	2	Star Washer, Internal #6, Stainless Steel	-
7	14-00015	2	Hex Nut #6 - 32, Stainless Steel	-
8	22-42063	1	Wire Harness - 12 Volt Panels	-
	22-42064	1	Wire Harness - 24 Volt Panels	-

Series 1-B Start/Stop Control Panel

B+ Electrical Systems

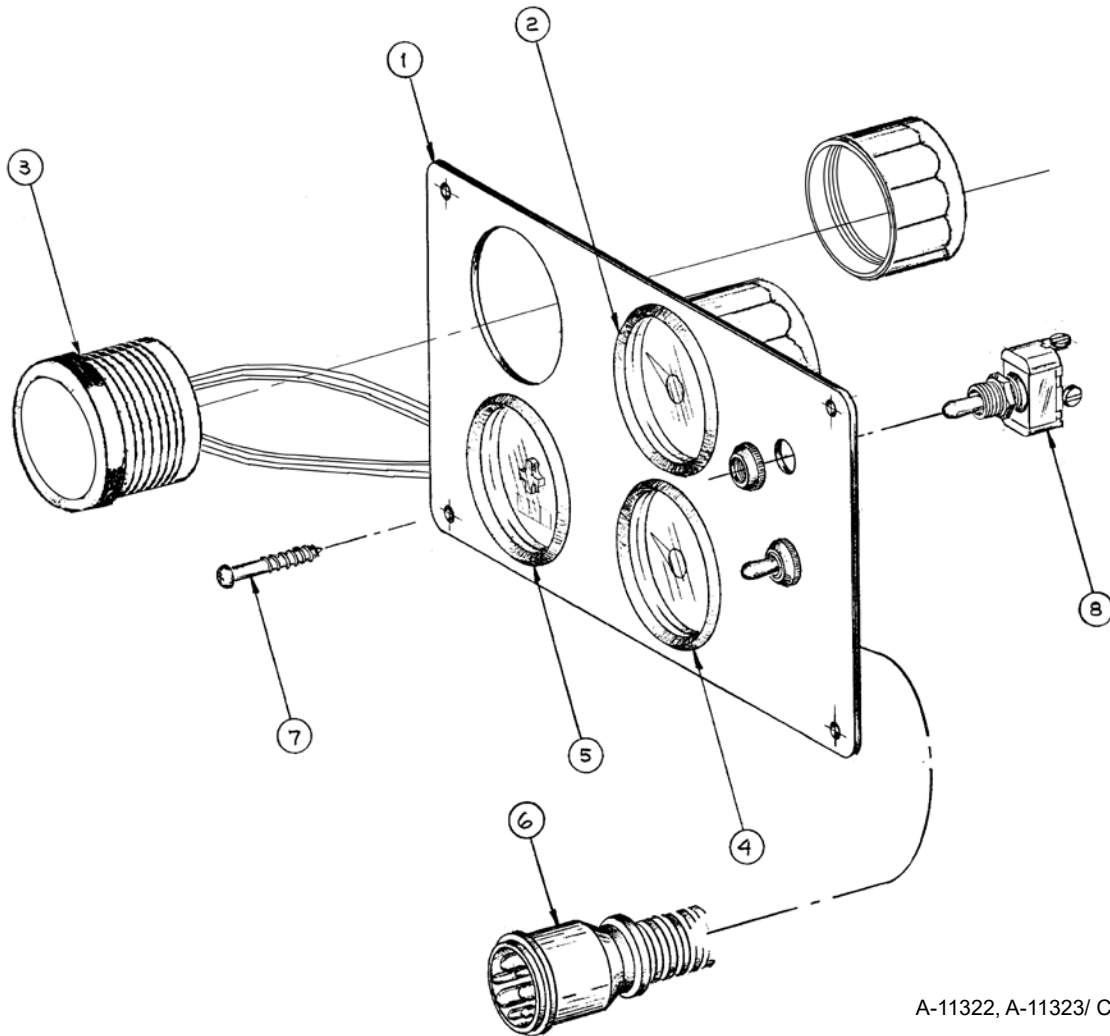


KEY	PART NUMBER	QTY	DESCRIPTION	SERIAL NUMBER
••	22-95605	1	Series 1-B Start/Stop Control Panel 12 & 24 Volt (includes all keys)	-
1	28-90003	1	Plate	-
2	22-90167	1	Rocker Switch, Momentary (On)-Off	-
3	22-90362	1	Rocker Switch, Green LED (On)-Off-(On) Green Lamp	-
4	22-90009	1	Hour Meter	-
5	12-00093	2	Machine Screw, Round Head Phillips #6 - 32 x 1/2"	-
6	15-00030	2	Star Washer, Internal #6, Stainless Steel	-
7	14-00015	2	Hex Nut #6 - 32, Stainless Steel	-
8	22-45603	1	Wire harness	-
9	00-00048	1	Label "12-24 Volts" (Not shown)	-

GROUP 5 – ELECTRICAL SYSTEM

**S-3C Control Panel 12 & 24 Volt**

VDO Ocean Line Black Bezel Gauges

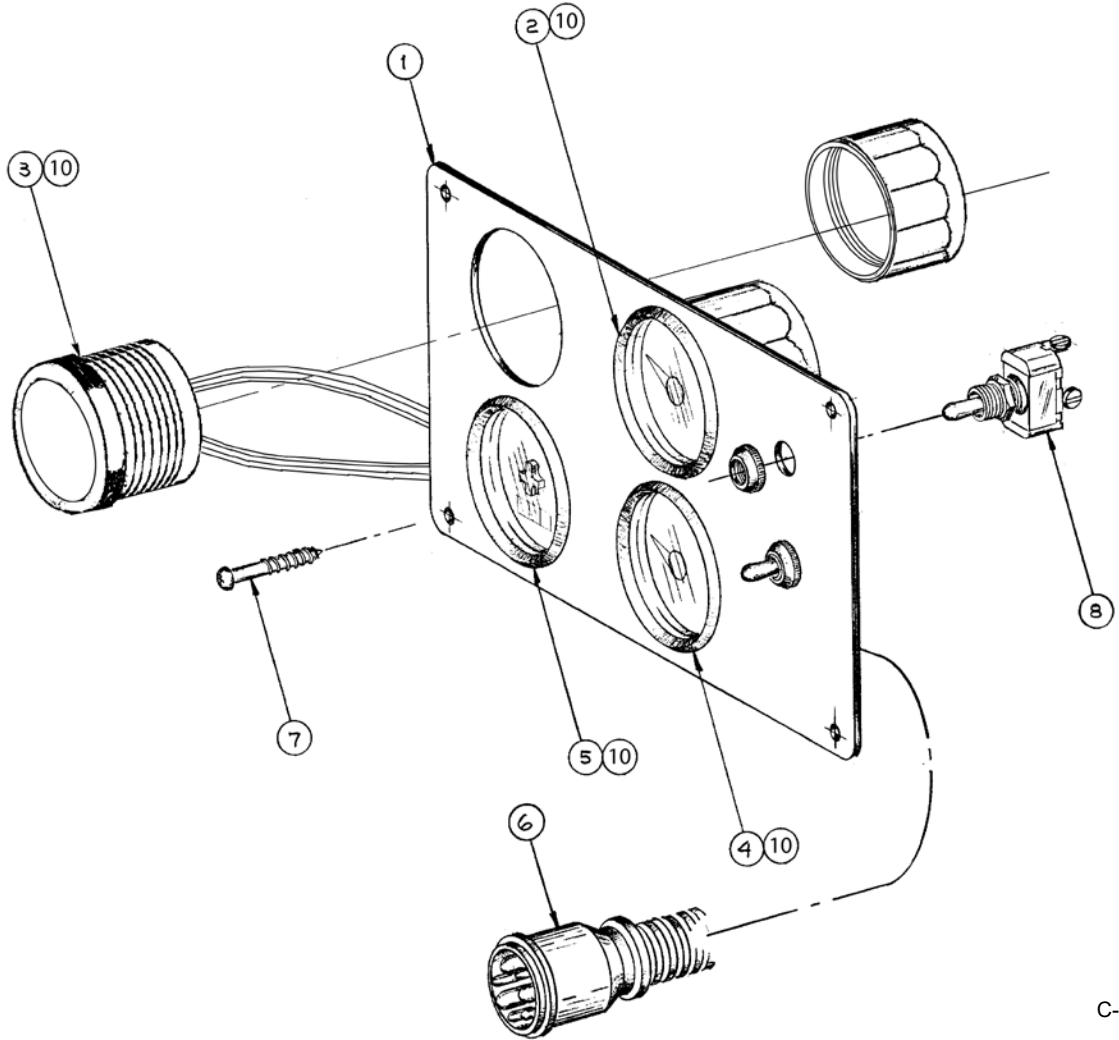


A-11322, A-11323/ C-2441

KEY	PART NUMBER	QTY	DESCRIPTION	SERIAL NUMBER
••	22-91211	1	S-3C Control Panel, 12 Volt (includes all keys)	-
••	22-91212	1	S-3C Control Panel, 24 Volt (includes all keys)	-
1	28-90010	1	Panel Plate	-
2	37-90081-1	1	Oil Pressure Gauge, 0-80 PSI 12 Volt	-
	37-90082-1	1	Oil Pressure Gauge, 0-80 PSI 24 Volt	-
3	37-90075-1	1	Temperature Gauge, 0- 250°F 12 Volt	-
	37-90076-1	1	Temperature Gauge, 0- 250°F 24 Volt	-
4	37-90072-1	1	DC Voltmeter, 8 - 16 VDC	-
	37-90073-1	1	DC Voltmeter, 18- 32 VDC	-
5	37-90074-1	1	Hourmeter 12/ 24 Volt	-
6	22-42024	1	Panel Wire Harness	-
7	12-90007	4	Self Tapping Screw, Oval Head Phillips #6 x 3/4"	-
8	22-41051	2	Toggle Switch	-
9	00-00013	1	Label 12 Volt (not shown)	-
	00-00014	1	Label 24 Volt (not shown)	-
10	37-41004	**	12 Volt Bulb (not shown)	-
	37-41003	**	24 Volt Bulb (not shown)	-
			**As required	

**S-3C Control Panel 12 Volt**

VDO Viewline Black Bezel Gauges



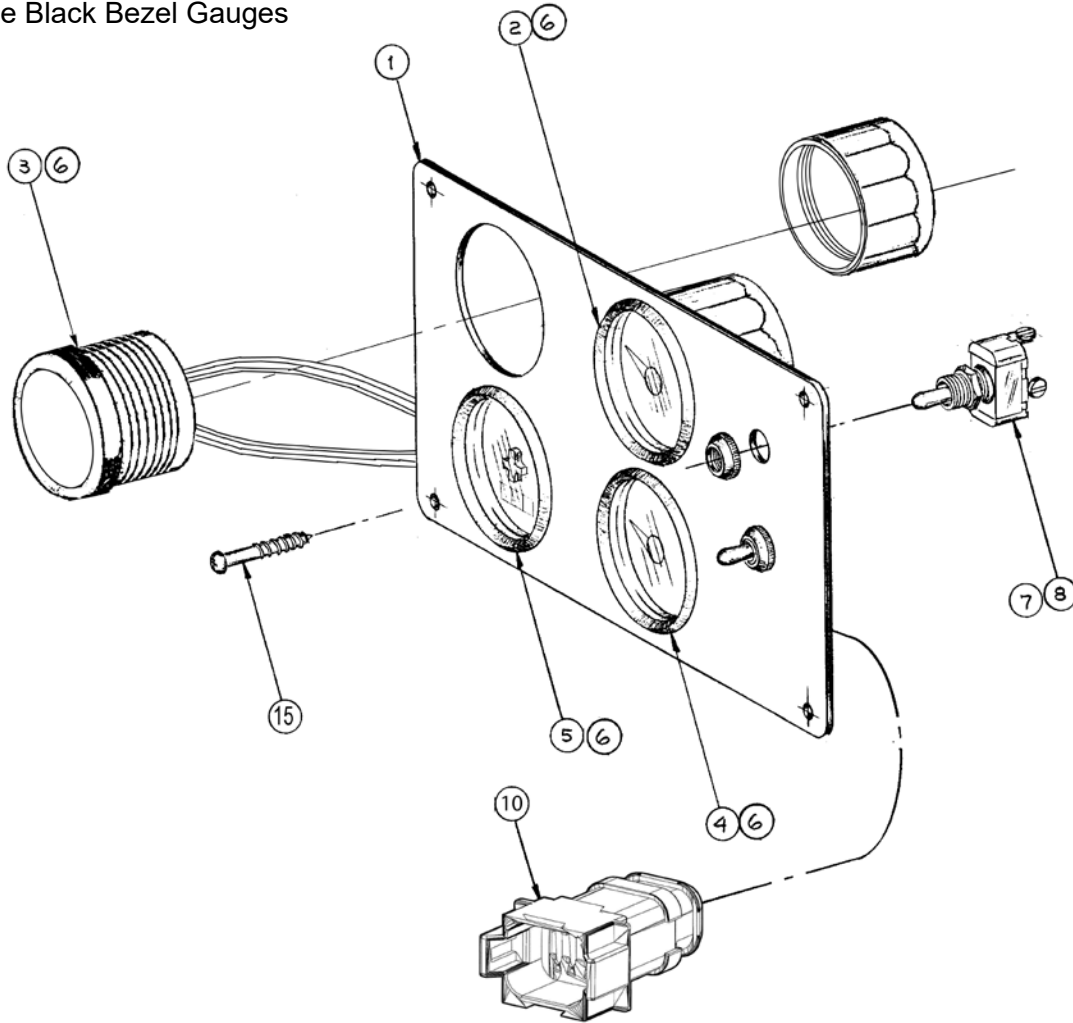
C-2441

KEY	PART NUMBER	QTY	DESCRIPTION	SERIAL NUMBER
••	22-91216	1	S-3C Control Panel, 12 Volt (includes all keys)	-
••	22-91217	1	S-3C Control Panel, 24 Volt (includes all keys)	-
1	28-90010	1	Panel Plate	-
2	37-91075-1	1	Oil Pressure Gauge, 0-80 PSI 12/24 Volt *	-
3	37-91074-1	1	Temperature Gauge, 0- 250°F 12/24 Volt *	-
4	37-91070-1	1	DC Voltmeter, 8 - 16 VDC *	-
	37-91071-1	1	Voltmeter 18 - 32 VDC *	-
5	37-91072-1	1	Hourmeter 12/ 24 Volt	-
6	22-42096	1	Panel Wire Harness	-
7	12-90007	4	Self Tapping Screw, Oval Head Phillips #6 x 3/4"	-
8	22-41051	2	Toggle Switch	-
9	00-00013	1	Label 12 Volt (not shown)	-
10	37-00014	4	Bezel	-
			* Note Bezel 37-00014 supplied separately	

GROUP 5 – ELECTRICAL SYSTEM

**S-3C Control Panel 12 - 24 Volt B+ Systems**

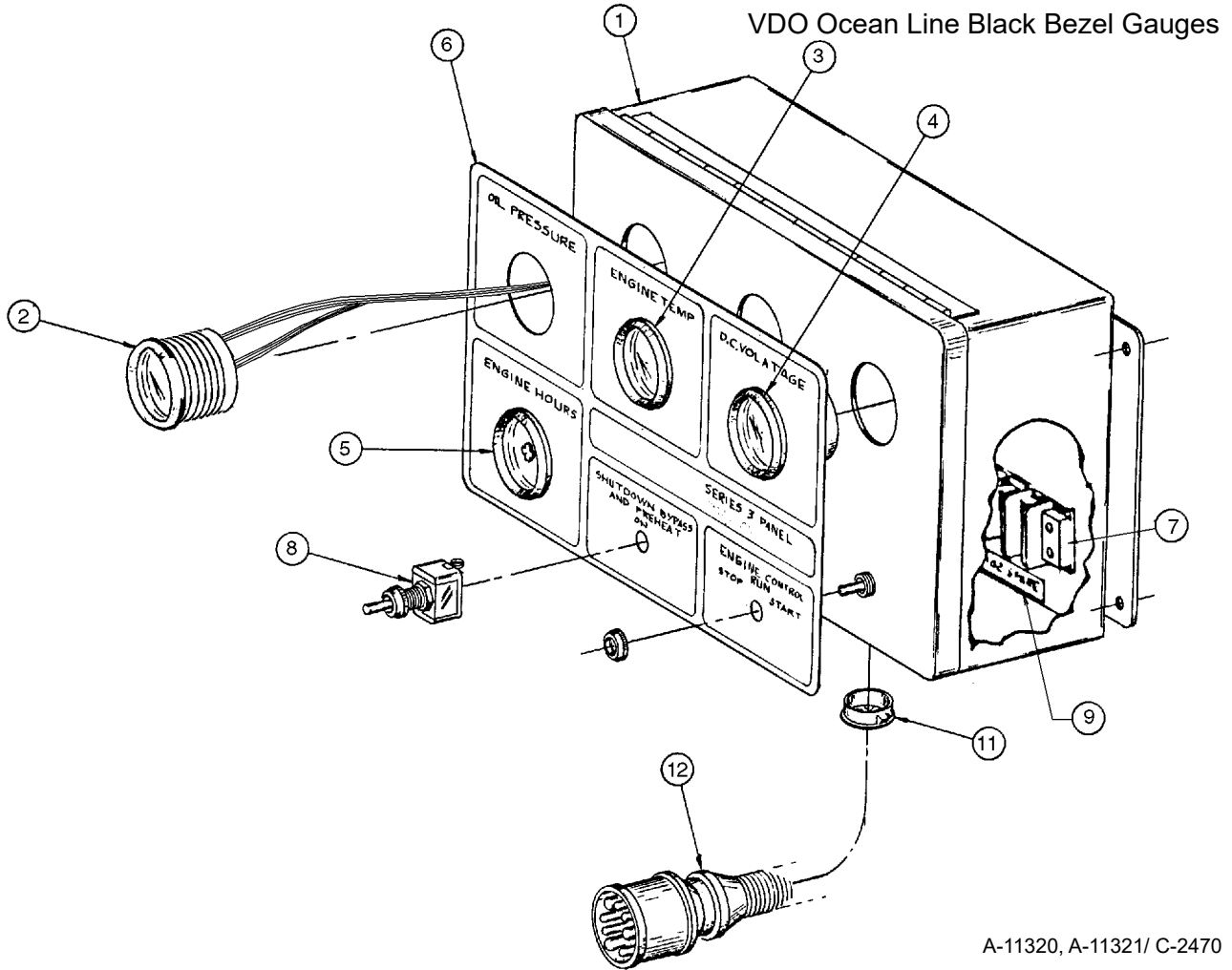
VDO Viewline Black Bezel Gauges



KEY	PART NUMBER	QTY	DESCRIPTION	SERIAL NUMBER
••	22-95611	1	S-3C Control Panel, 12 Volt (includes all keys)	-
••	22-95612	1	S-3C Control Panel, 24 Volt (includes all keys)	-
1	28-90010	1	Panel Plate	-
2	37-91075-1	1	Oil Pressure Gauge, 0-80 PSI 12/24 Volt *	-
3	37-91074-1	1	Temperature Gauge, 0- 250°F 12/24 Volt *	-
4	37-91070-1	1	DC Voltmeter, 8 - 16 VDC *	-
	37-91071-1	1	Voltmeter 18 - 32 VDC *	-
5	37-91072-1	1	Hourmeter 12/ 24 Volt *	-
6	37-00014	4	Bezel	-
8	22-41051	1	Toggle Switch	-
	22-40335	1	Toggle Switch	-
9	23-95601	1	Bracket, Relay Base Mounting	-
10	22-45606	1	Panel Wire Harness	-
11	12-42400	1	Machine Screw #8-32 x 1/4"	-
12	15-00035	1	Star Washer #8	-
13	22-42047	**	Relay 12 Volt	-
	22-40085	**	Relay 24 Volt	-
14	00-00013	**	Label 12 Volt (not shown)	-
	00-00014	**	Label 24 Volt (not shown)	-
15	12-90007	4	Self Tapping Screw, Oval Head Phillips #6 x 3/4"	-
			** As Required	



**S-3B Control Panel 12 & 24 Volt**



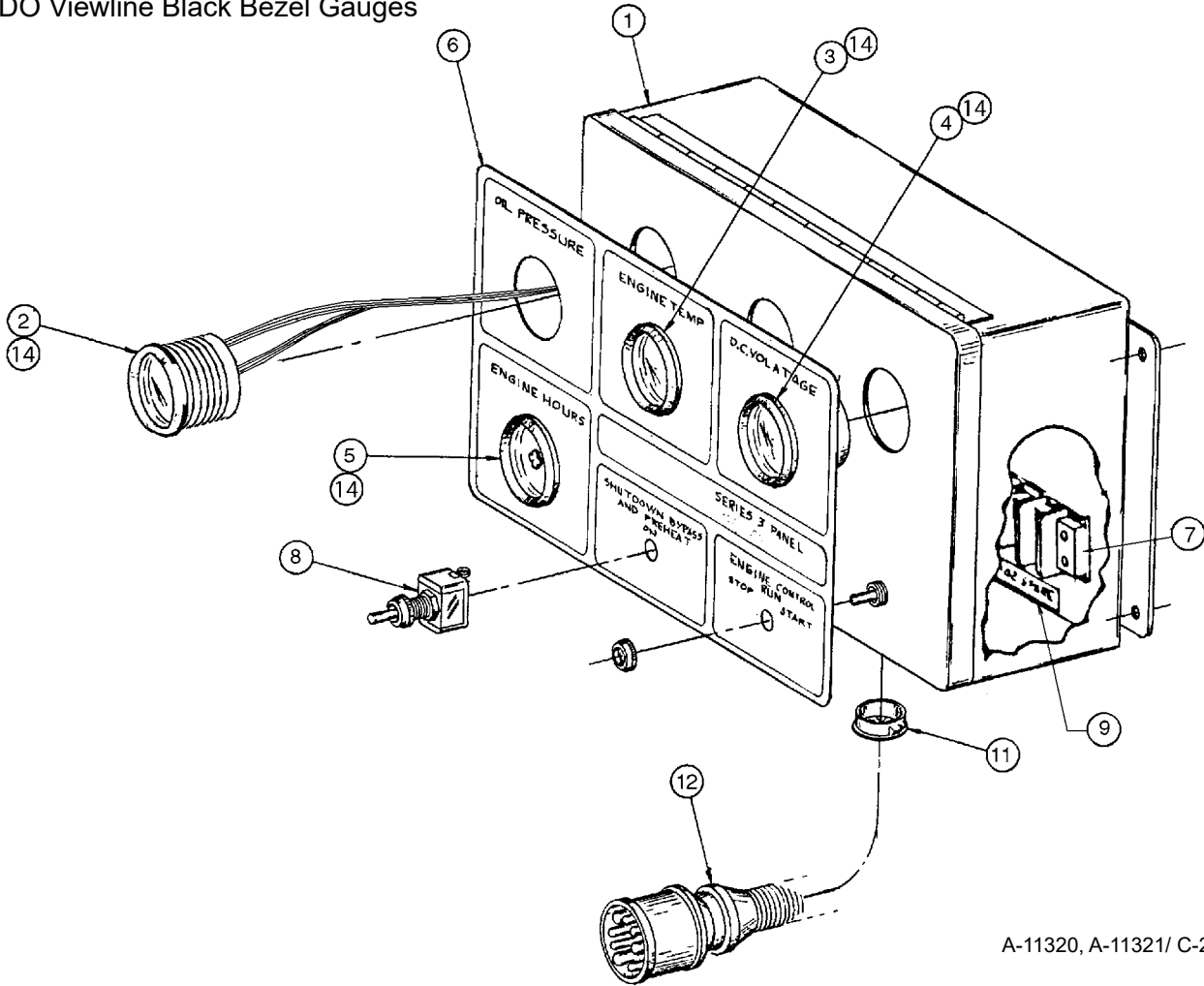
A-11320, A-11321/ C-2470

KEY	PART NUMBER	QTY	DESCRIPTION	SERIAL NUMBER
••	22-91201	1	S-3C Control Panel, 12 Volt (includes all keys) (replaced by 22-91203)	-
••	22-91202	1	S-3C Control Panel, 24 Volt (includes all keys) (replaced by 22-91204)	-
1	39-40008	1	Enclosure	-
2	37-90081-1	1	Oil Pressure Gauge, 0-80 PSI 12 Volt	-
	37-90082-1	1	Oil Pressure Gauge, 0-80 PSI 24 Volt	-
3	37-90075-1	1	Temperature Gauge, 0- 250°F 12 Volt	-
	37-90076-1	1	Temperature Gauge, 0- 250°F 24 Volt	-
4	37-90072-1	1	DC Voltmeter, 8 - 16 VDC	-
	37-90073-1	1	DC Voltmeter, 18- 32 VDC	-
5	37-90074-1	1	Hourmeter 12/ 24 Volt	-
6	00-91018	1	Panel Decal	-
7	22-41077	1	Terminal Strip	-
8	22-41051	2	Toggle Switch	-
9	22-00052	1	Number Strip	-
10	22-40257	1	Wire Harness (not shown)	-
11	00-40028	1	Grommet	-
12	22-42027	1	Connection Harness	-
13	00-00013	1	Label 12 Volt (not shown)	-
	00-00014	1	Label 24 Volt (not shown)	-
14	37-41004	**	12 Volt Bulb (not shown)	-
	37-41003	**	24 Volt Bulb (not shown)	-
			**As required	

**GROUP 5 – ELECTRICAL SYSTEM**

**S-3B Control Panel 12 Volt**

VDO Viewline Black Bezel Gauges



A-11320, A-11321/ C-2470

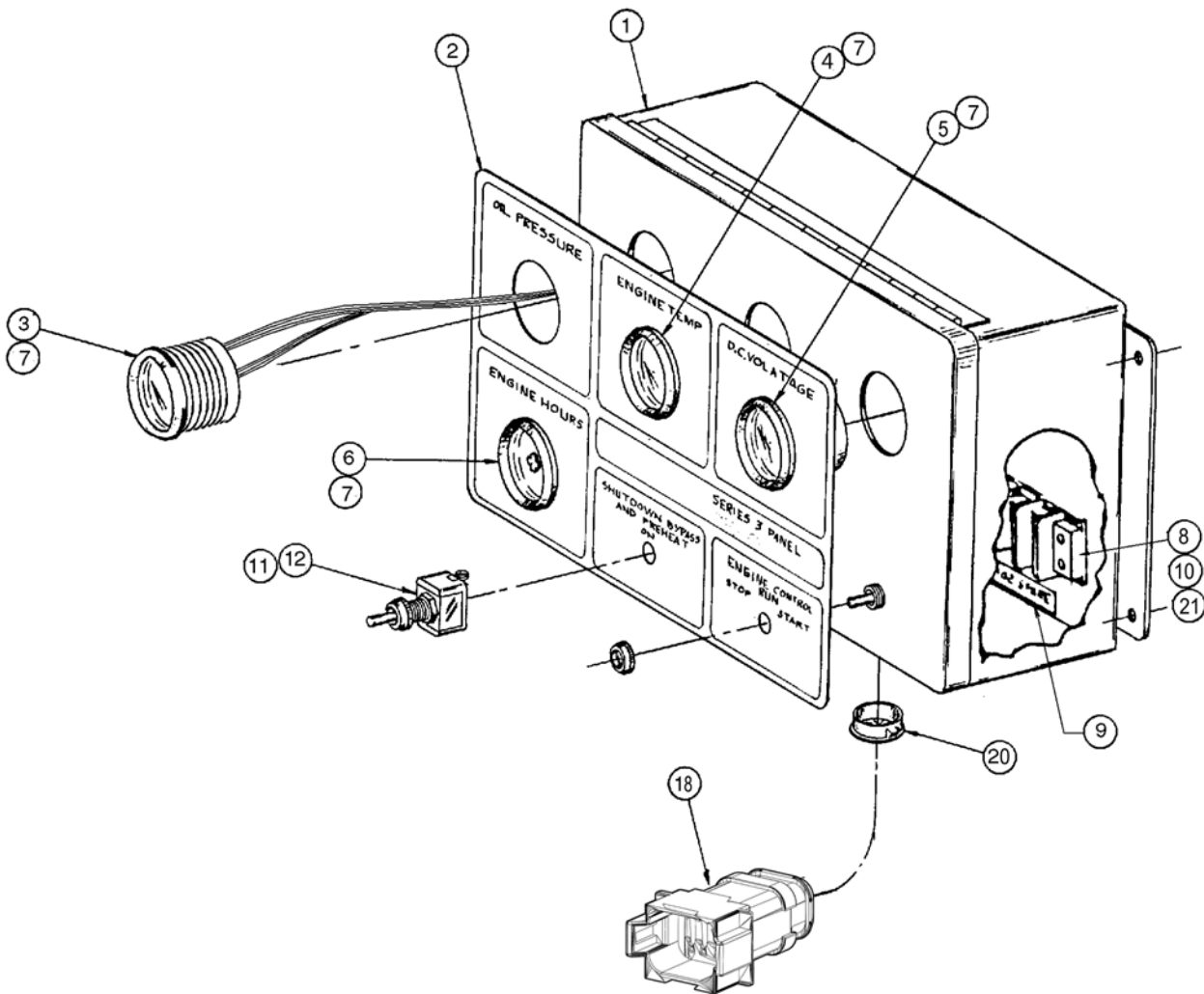
KEY	PART NUMBER	QTY	DESCRIPTION	SERIAL NUMBER
••	22-91203	1	S-3C Control Panel, 12 Volt (includes all keys)	-
••	22-91204	1	S-3C Control Panel, 24 Volt (includes all keys)	-
1	39-40027	1	Enclosure	-
2	37-91075-1	1	Oil Pressure Gauge, 0-80 PSI 12/24 Volt *	-
3	37-91074-1	1	Temperature Gauge, 0- 250°F 12/24 Volt *	-
4	37-91070-1	1	Voltmeter, 8 - 16 VDC *	-
	37-91071-1	1	Voltmeter 18 - 32 VDC *	-
5	37-91072-1	1	Hourmeter 12/ 24 Volt	-
6	00-91018	1	Panel Decal	-
7	22-41077	1	Terminal Strip	-
8	22-41051	2	Toggle Switch	-
9	22-00052	1	Number Strip	-
10	22-40648	1	Wire Harness (not shown)	-
11	00-40028	1	Grommet	-
12	22-42027	1	Connection Harness	-
13	00-00013	1	Label 12 Volt (not shown)	-
14	37-00014	4	Bezel	-
			* Note Bezel 37-00014 supplied separately	



GROUP 5 – ELECTRICAL SYSTEM

**S-3B Control Panel 12 - 24 Volt B+ Systems**

VDO Viewline Black Bezel Gauges



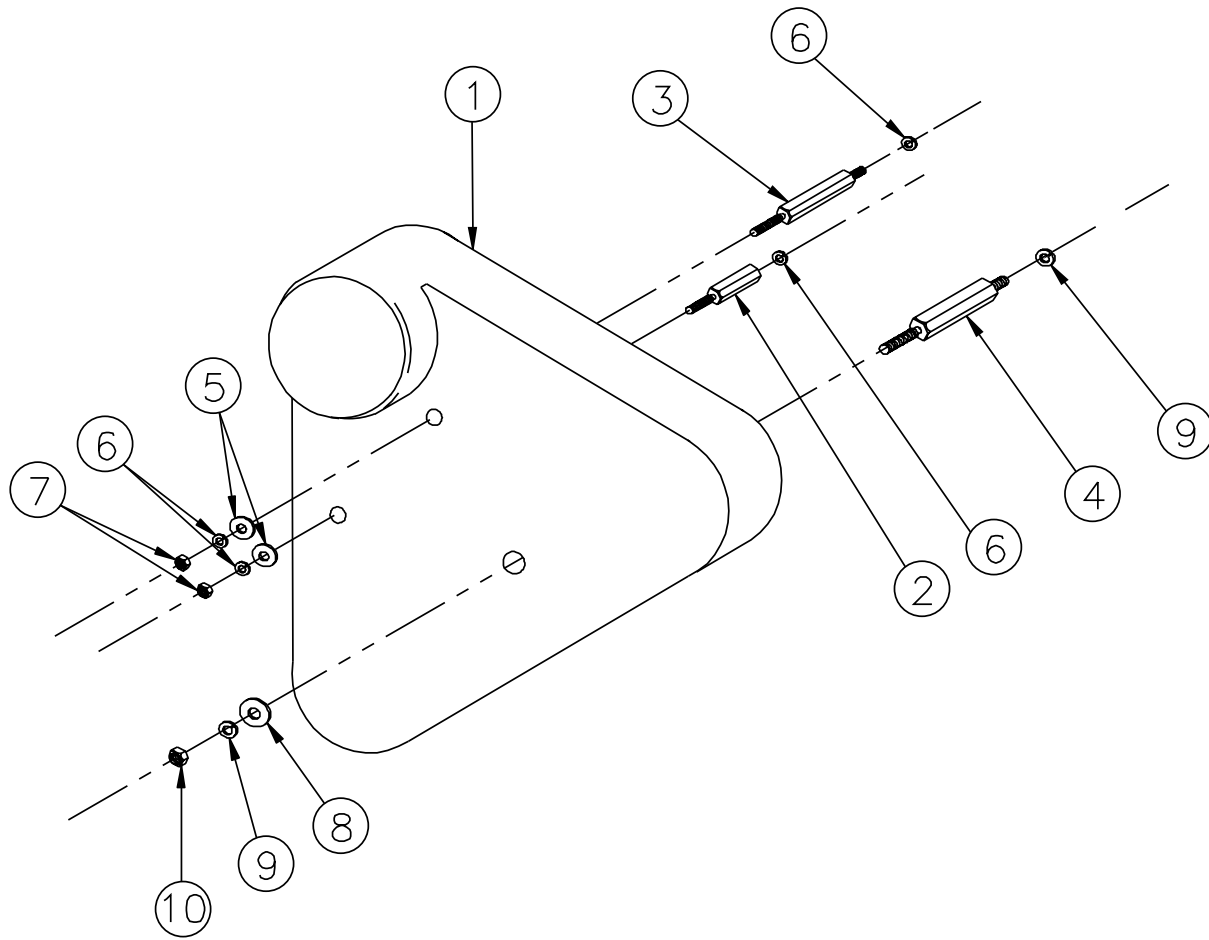
**S-3B Control Panel 12 - 24 Volt B+ Systems**

VDO Viewline Black Bezel Gauges

KEY	PART NUMBER	QTY	DESCRIPTION	SERIAL NUMBER
••	22-95601	1	S-3C Control Panel, 12 Volt (includes all keys)	-
••	22-95602	1	S-3C Control Panel, 24 Volt (includes all keys)	-
1	39-40027	1	Enclosure	-
2	00-91018	1	Decal	-
3	37-91075-1	1	Oil Pressure Gauge, 0-80 PSI 12/24 Volt *	-
4	37-91074-1	1	Temperature Gauge, 0- 250°F 12/24 Volt *	-
5	37-91070-1	1	Voltmeter, 8 - 16 VDC *	-
	37-91071-1	1	Voltmeter 18 - 32 VDC *	-
6	37-91072-1	1	Hourmeter 12/ 24 Volt	-
7	37-00014	4	Bezel	-
8	22-41077	1	Terminal Strip	-
9	22-00052	1	Number Strip	-
10	14-09021	2	Jam Nut, Nylock #8-32 S/S	-
11	22-41051	1	Toggle Switch	-
12	22-40335	1	Toggle Switch	-
13	23-95602	1	Bracket, Relay Mounting	-
14	22-45604	1	Wire Harness (not shown) (Includes keys 22-23)	-
15	12-42400	1	Machine Screw, Phillips #8-32 x 1/4" S/S	-
16	15-00035	1	Star Washer #8 S/S	-
17	22-42047	**	Relay 12 Volt	-
	22-40085	**	Relay 24 Volt	-
18	22-45607	1	Connection Harness	-
19	00-00013	**	Label 12 Volt (not shown)	-
	00-00014	**	Label 24 Volt	-
20	00-40028	1	Grommet	-
21	12-42103	2	Machine Screw, Pan Head, Phillips #8-32 x 5/8" S/S	-
22	22-40931	1	Relay Base	-
23	22-40393	1	Retainer	-
			* Note Bezel 37-00014 supplied separately	

## Belt Guard Assembly

Standard Small Frame Alternators

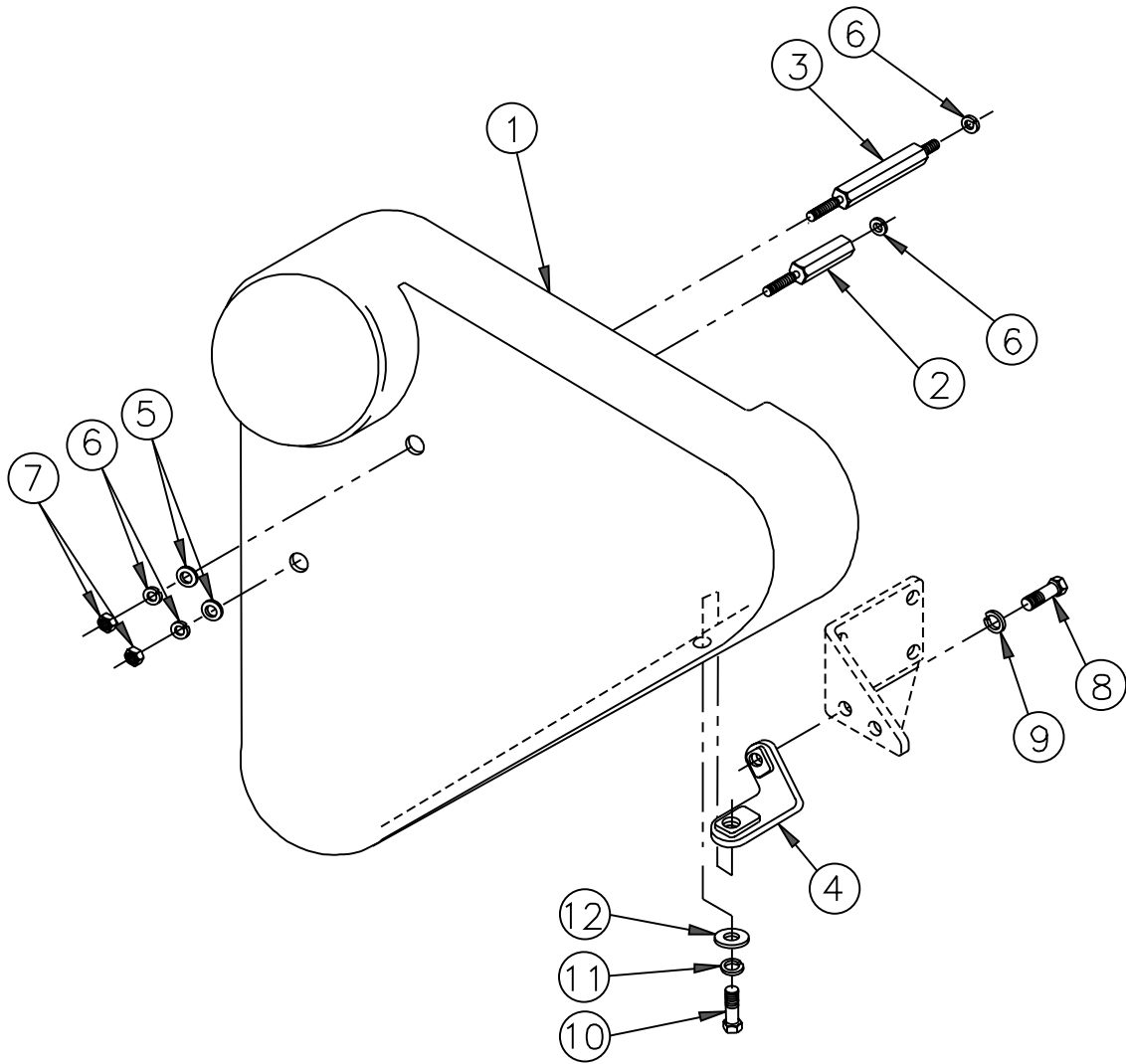


A-9314/ B-6972

KEY	PART NUMBER	QTY	DESCRIPTION	SERIAL NUMBER
1	00-08601	1	Belt Guard	-
2	12-90049	1	Capscrew, Hex Head M6 x 1.0 x 15 mm (Head tapped M6 x 1.0 x 10 mm Special)	-
3	13-91132	1	Stud, M6 x 1.0 x 111.4 mm	-
4	13-90070	1	Stud, M10 x 1.5 x 110.8 mm	-
5	15-01134	2	Flat Washer M6 S/S	-
6	15-00610	4	Lock Washer, Helical M6 S/S	-
7	14-01132	2	Hex Nut M6 x 1.0 S/S	-
8	15-09805	1	Flat Washer M10 S/S	-
9	15-00808	2	Lock Washer, Helical M10 S/S	-
10	14-00817	1	Hex Nut M10 x 1.5 mm S/S	-

**Belt Guard Assembly**

*Optional Medium Frame Alternators*



A-9832/ B-9464

KEY	PART NUMBER	QTY	DESCRIPTION	SERIAL NUMBER
1	00-08603	1	Belt Guard	-
2	12-90049	1	Capscrew, Hex Head M6 x 1.0 x 15 mm (Head tapped M6 x 1.0 x 10 mm Special)	-
3	13-91132	1	Stud, M6 x 1.0 x 111.4 mm	-
4	23-08602	1	Bracket, Lower Belt Guard Mtg.	-
5	15-01134	2	Flat Washer, M6 S/S	-
6	15-00610	4	Lock Washer, Helical M6 S/S	-
7	14-01132	2	Hex Nut M6 x 1.0 S/S	-
8	12-00711	1	Capscrew, Hex Head M8 x 1.25 x 20 mm	-
9	15-00702	1	Lock Washer, Helical M8	-
10	12-09712	1	Capscrew, Hex Head M8 x 1.25 x 25 mm S/S	-
11	15-00705	1	Lock Washer, Helical M8 S/S	-
12	15-70004	1	Snubbing Washer S/S	-

**GROUP 6 – GASKET SETS**

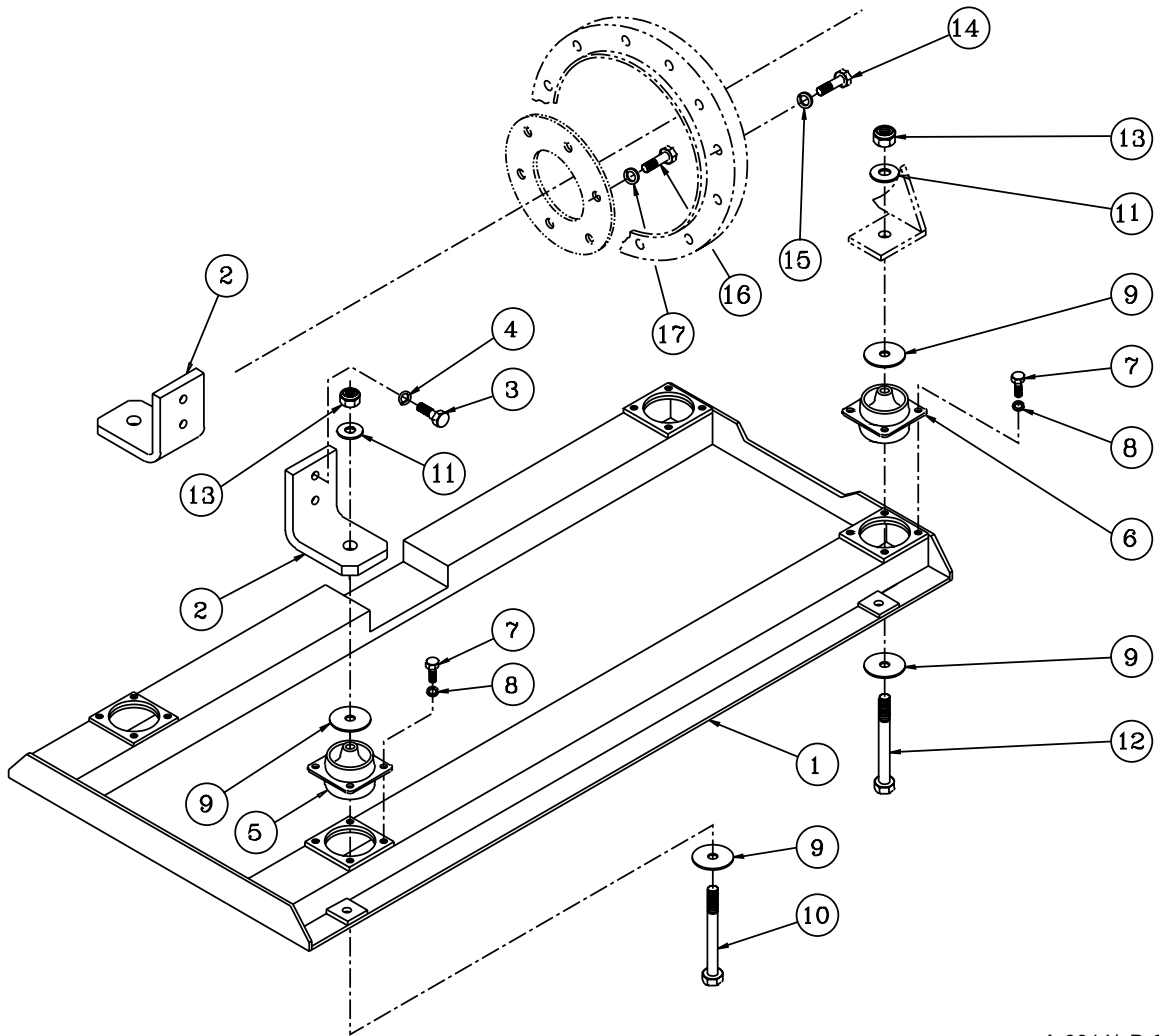
**Gasket Kits**

KEY	PART NUMBER	QTY	DESCRIPTION	SERIAL NUMBER
••	29-08602	1	Gasket Kit (Marine, includes all keys)	-
•	195907460	1	Gasket Kit (Industrial, includes keys 1-40)	-
1	050209107	1	Oil Seal, Rear	-
2	052109076	1	O-ring, Suction Oil Pipe	-
3	110996800	1	Gasket, Oil Pan	-
4	025100016	2	Seal Washer, Oil Pan Drain	-
5	165996520	1	Gasket, Front Plate	-
6	052109108	2	O-ring, Governor Shaft	-
7	052109110	1	O-ring, Rocker Arm	-
8	052109109	1	O-ring, Rocker Arm	-
9	165996530	1	Gasket, Timing Gear	-
10	198636090	1	Oil Seal, Front	-
11	165996610	1	Gasket, Gear Case Cover	-
12	131426300	1	Adjusting Shim Set, Injection Pump	-
13	025100006	1	Seal Washer, Air Bleed Screw	-
14	140996260	4	Gasket, Banjo Bolt	-
15	111147570	1	Head Gasket, t=1.3	-
16	120406050	3	Valve Guide Seal, Exhaust	-
17	120406070	3	Valve Guide Seal, Intake	-
18	131426200	3	Gasket, Injector Lower Side	-
19	131426210	3	Gasket, Injector Upper Side	-
20	052100120	1	O-ring, Rocker Arm Shaft	-
21	120996150	1	Gasket, Rocker Arm Bracket	-
22	111996420	1	Gasket, Rocker Arm Cover	-
23	140996260	3	Gasket, Rocker Arm Cover	-
24	052100400	2	O-ring, Oil Filler Cap	-
25	135996750	1	Gasket, Air Intake	-
26	145996830	1	Gasket, Coolant Pump	-
27	145996840	1	Gasket, Thermostat Housing	-
28	145996850	1	Gasket, Thermostat Cover	-
29	130516069	4	Gasket, Joint Bolt	-
30	130996130	1	Gasket, Fuel Pump	-
31	052109113	2	O-ring, Dipstick Guide	-
32	025100016	1	Seal Washer, Solenoid	-
33	052109078	1	O-ring, Relief Valve	-
34	130326051	5	Gasket, Joint Bolt	-
35	140996270	4	Gasket, Valve Assembly	-
36	135996900	1	Gasket	-
37	135996541	1	Gasket, Exhaust Manifold	-
38	314990013	1	Gasket	-
39	052300700	1	O-ring, Gear Case Cover	-
40	314990030	1	Gasket, Elbow	-
41	11-08601	1	Gasket, Exhaust	-
42	11-18602	1	Gasket, Thermostat Cover	-
43	16-13101	1	O-ring, Raw Water Pump	-



**Base Frame Assembly**

Up to S/N xxxx-46361C



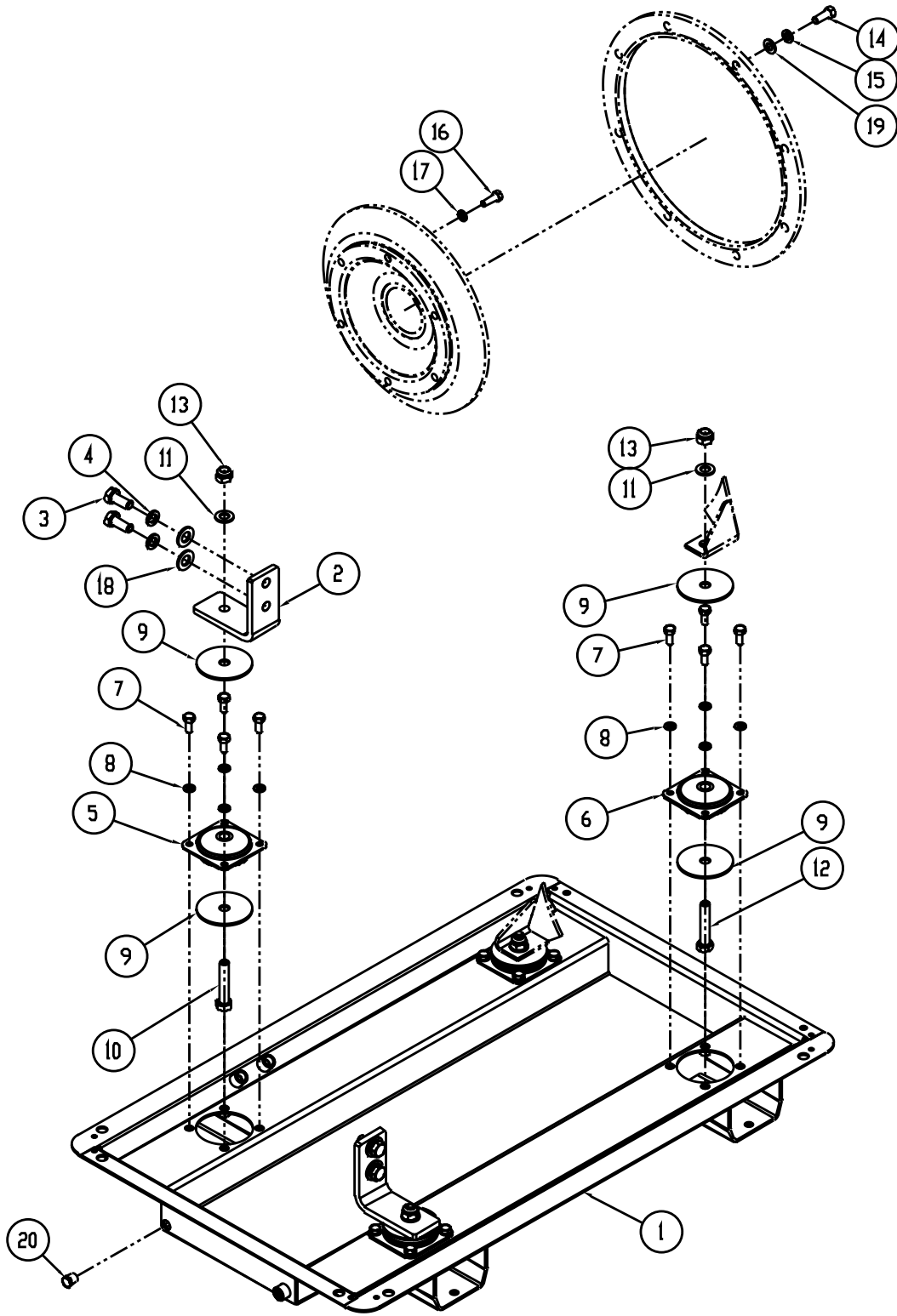
A-9314/ D-3472

KEY	PART NUMBER	QTY	DESCRIPTION	SERIAL NUMBER
1	39-88601	1	Base Frame, Steel	-
2	23-88211	2	Bracket	-
3	12-00943	4	Capscrew, Hex Head M12 x 1.25 x 30 mm	-
4	15-00912	4	Lock Washer, Helical M12	-
5	33-83108	2	Platform Mount, 155 lb.	-
6	33-83108	2	Platform Mount, 155 lb.	-
7	12-00776	16	Capscrew, Hex Head M8 x 1.25 x 20 mm, Stainless Steel	-
8	15-00705	16	Lock Washer, Helical M8, S/S	-
9	15-00020	8	Snubbing Washer 2.88 x 0.52 x 0.125	-
10	12-09956	2	Capscrew, Hex Head M12 x 1.75 x 65 mm, S/S	-
11	15-09007	4	Flat Washer M12, S/S	-
12	12-09956	2	Capscrew, Hex Head M12 x 1.75 x 65 mm S/S	-
13	14-09830	4	Hex Nut, Nylock M12 x 1.75, S/S	-
14	12-00313	8	Capscrew, Hex Head 3/8-16 x 1-1/4"	-
15	15-00302	8	Lock Washer, Helical 3/8	-
16	12-00753	6	Capscrew, Hex Head M8 x 1.25 x 30 mm	-
17	15-00702	6	Lock Washer, Helical M8	-

GROUP 8 – FRAME AND MOUNTING

**Steel Base Pan with Platform Mounting**

M773LW3 / PX309K2 from to S/N xxxx-46362C



D-4470B

**Kit, Steel Base Pan with Plateform Mounting**

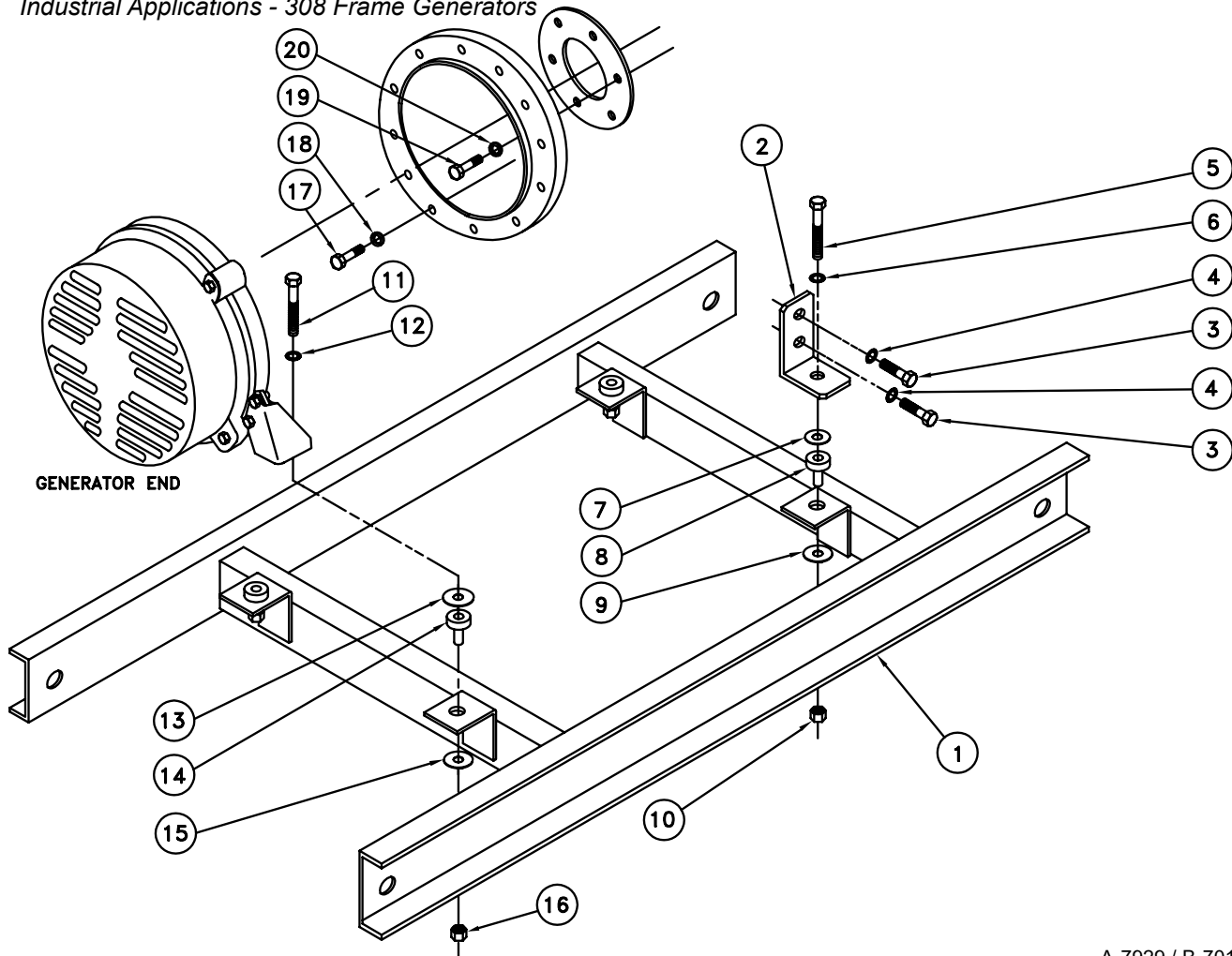
M773LW3 / PX309K2 from to S/N xxxx-46362C

KEY	PART NUMBER	QTY	DESCRIPTION	SERIAL NUMBER
1	39-88602	1	Base Pan, Steel	-
2	23-88211	2	Bracket, Front Engine Mtg	-
3	12-00943	4	Capscrew, Hex Head M12 x 1.25 x 30 mm	-
4	15-00912	4	Lock Washer	-
5	33-83108	2	Mount, Plateform 155 Lb	-
6	33-83108	2	Mount, Plateform 155 Lb	-
7	12-00776	16	Capscrew, Hex Head M8x1.25 X 20 mm S/S (316)	-
8	15-00705	16	Lock Washer, Helical M8 S/S (316)	-
9	15-00020	8	Snubbing Washer 2.88 X .531 X .125	-
10	12-09956	2	Capscrew, Hex Head M12x1.75 X 65mm S/S	-
11	15-09007	4	Flat Washer M12 S/S (316)	-
12	12-09956	2	Capscrew, Hex Head M12x1.75 X 65mm S/S	-
13	14-09830	4	Hex Nut, Nylock M12x1.75 S/S (316)	-
14	12-00312	8	Capscrew, Hex Head 3/8-16 X 1"	-
15	15-00302	8	Lock Washer, Helical 3/8"	-
16	12-09213	6	Capscrew, Hex Head 5/16-18 X 1- 1/4"	-
17	15-00202	6	Lock Washer, Helical 5/16	-
18	15-00907	4	Flat Washer M12 S/S	-
19	15-00805	12	Flat Washer M10	-
20	21-31624	1	Plug, Hex Head Brass 1/4 NPT	-

**GROUP 8 – FRAME AND MOUNTING**

**Base Frame Assembly**

*Industrial Applications - 308 Frame Generators*

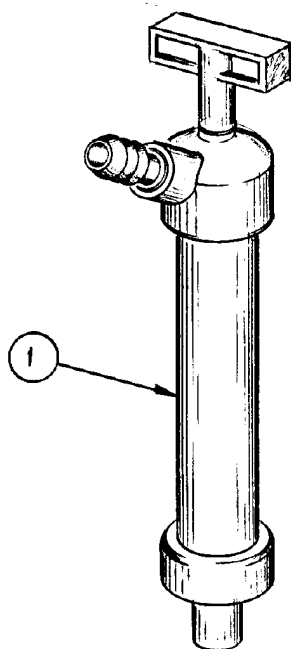


A-7929 / B-7017

KEY	PART NUMBER	QTY	DESCRIPTION	SERIAL NUMBER
1	39-88217	1	Base Frame	-
2	23-88211	2	Bracket, Front Engine Mount	-
3	12-00943	4	Capscrew, Hex Head M12 x 1.25 x 30 mm	-
4	15-00912	4	Lock Washer	-
5	12-00048	2	Capscrew, Hex Head M10 x 1.5 x 60 mm	-
6	15-00809	2	Flat Washer (Special)	-
7	15-00014	2	Head/Tail Washer	-
8	33-83100	2	Centerbonded Mount, 100 lb.	-
9	15-00014	2	Head/Tail Washer	-
10	14-00812	2	Hex Nut, Nylock	-
11	12-00817	2	Capscrew, Hex Head M10 x 1.5 x 55 mm	-
12	15-00809	2	Flat Washer (Special)	-
13	15-00014	2	Head/Tail Washer	-
14	33-83100	2	Centerbonded Mount, 100 lb.	-
15	15-00014	2	Head/Tail Washer	-
16	14-00812	2	Hex Nut, Nylock	-
17	12-00312	8	Capscrew, Hex Head 3/8-16 x 1"	-
18	15-00302	8	Lock Washer	-
19	12-00214	6	Capscrew, Hex Head 5/16-18 x 1-1/2"	-
20	15-00202	6	Lock Washer	-

**GROUP 9 – ACCESSORIES AND OPTIONAL EQUIPMENT**

**Oil Drain Kit**



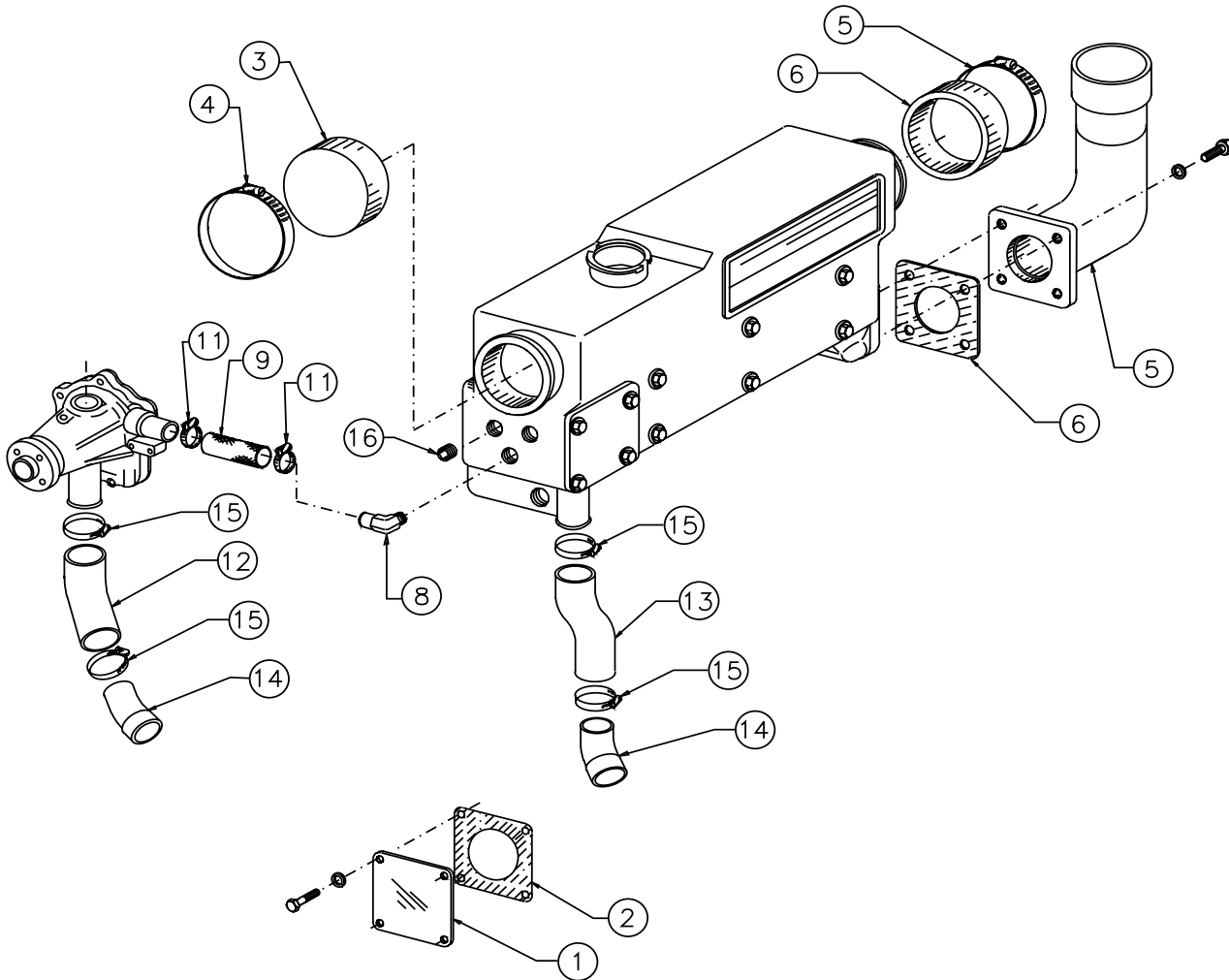
A-5024/ B-3990

KEY	PART NUMBER	QTY	DESCRIPTION	SERIAL NUMBER
••	36-70010		Oil Drain Pump Kit (with hose & connectors)	-
1	36-72002	1	Hand Pump	-

**GROUP 9 – ACCESSORIES AND OPTIONAL EQUIPMENT**

**Keel Cooling Conversion**

Marine Application - with Dry Exhaust



A-10008, A-11726/ B-9395

KEY	PART NUMBER	QTY	DESCRIPTION	SERIAL NUMBER
1	165206320	1	Cover (white)	-
2	052300700	1	O-ring	-
3	20-12019	2	End Cap, Rubber	-
4	19-04048	2	Hose Clamp, #48 (formerly #19-00048)	-
5	27-32007	1	Elbow, Dry Exhaust 1-1/2" NPT	-
6	11-31902	1	Gasket, Exhaust Outlet Mtg.	-
7	00-32008	1	Exhaust Lagging (not shown)	-
8	21-10031	1	Male Elbow 90° Brass 3/8 NPT x 1/2 HB (Beaded Barb)	-
9	18-18606	1	Hose, 1/2" I.D. x 3-1/2" 3 Ply Silicone	-
10	21-10044	1	Adapter, 3/8 NPT x 3/8 NPT	-
11	19-01008	2	Hose Clamp #8 Extended Band S/S	-
12	18-18604	1	Hose, Coolant Pump Inlet	-
13	18-18605	1	Hose, Expansion Tank Outlet	-
14	21-18602	2	Male Elbow, 45°, Copper 1-1/8" HB x 1-1/4" HB	-
15	19-00016	4	Hose Clamp #16	-
16	21-51900	1	Plug, Socket Head 1/8 NPT	-





**NORTHERN LIGHTS**

4420 14th Ave. NW., Seattle WA 98107

Tel: (206) 789-3880 • 1-800-762-0165 • [www.northern-lights.com](http://www.northern-lights.com)

Northern Lights and Lugger are registered trademarks of Northern Lights, Inc.

© 2016 All rights reserved. Litho USA.