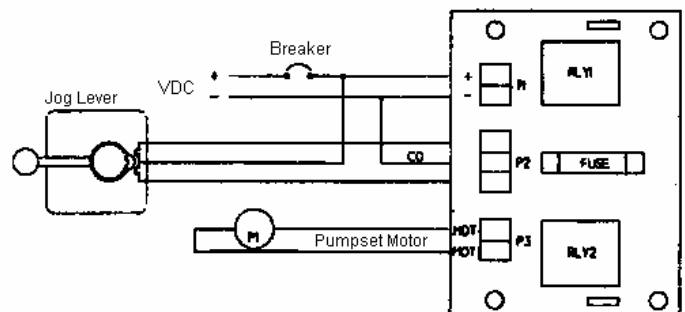
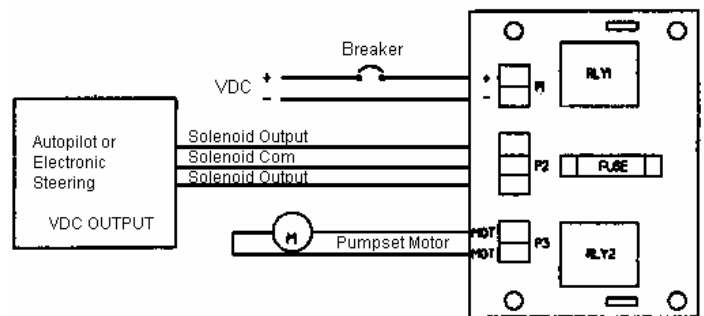


MODEL 7201-PR AUTOPILOT PUMP WITH RELAYS

The Kobelt 7201 Auto Pilot Hydraulic Pump is available integrated with control PC board. The relays on the board are capable of handling a current of 30 amp. for either rotation. A fuse is provided for maximum motor load at 30 amp. This is based on the 12-volt motor. For a 24-volt motor the maximum load is 15 amp. and the fuse is installed accordingly. The centre terminal block is for the directional control circuit and the other blocks are for the power in and power to the motor. The motor leads are located internally in the housing.

To order this unit with the reversing relays, the part number is
7201-PR12 (12 volt), or
7201-PR24 (24 volt)

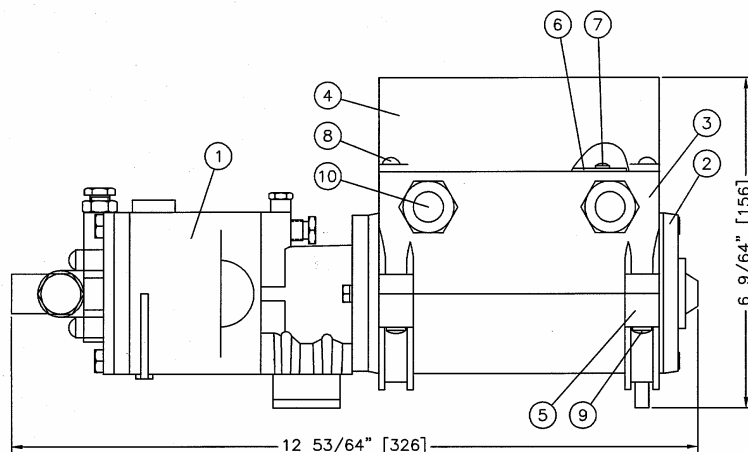
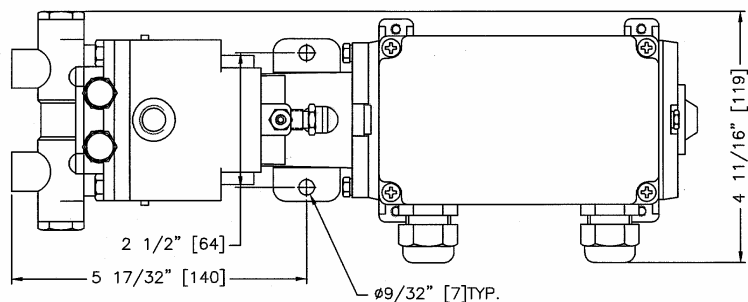
Please specify 12 or 24 volt.



PLEASE NOTE!
PUMP RELAY & AUTO PILOT
SHOULD BE THE SAME VOLTAGE

Model 7201-PR

| ITEM | QTY | PART NUMBER | DESCRIPTION |
|------|-----|-------------|--------------------------|
| 1 | 1 | 7201 | Autopilot Hydraulic Pump |
| 2 | 1* | 7201-12MT | Electric Motor 12V |
| 2 | 1* | 7201-24MT | Electric Motor 24V |
| 3 | 1 | 7201-0110 | Board Mount & Enclosure |
| 4 | 1 | 7201-0111 | Cover |
| 5 | 2 | 7201-0112 | Bracket |
| 6 | 1 | 7201-1011 | Circuit Board |
| 7 | 4 | 1012-0604 | Pan Hd Philips M. Screw |
| 8 | 4 | 1012-0806 | Pan Hd Philips M. Screw |
| 9 | 4 | 1012-0816 | Pan Hd Philips M. Screw |
| 10 | 2 | 6001-0248 | Connection Gland |



All dimensions in inches (mm)