

P944-3

For Models: M944W3, M30CW3, M40C3,
M944T3, NL944D3, and NL944T3

PARTS CATALOG

Marine Generators | Marine Diesel Engines | Land-Based Generators



NORTHERN LIGHTS





— CALIFORNIA —
Proposition 65 Warning:

Diesel engine exhaust and some of its constituents are known to the State of California to cause cancer, birth defects, and other reproductive harm.

Northern Lights

4420 14th Avenue N.W.
Seattle, WA 98107
Tel: (206) 789-3880
Fax: (206) 782-5455

Copyright ©2016 Northern Lights, Inc.
All rights reserved. Northern Lights™, and
the Northern Lights logo are trademarks of
Northern Lights, Inc.

Printed in U.S.A.
PART NO.: P944-3 8/16



NORTHERN LIGHTS

PARTS CATALOG

for Models M944W3, M30CW3, M40C3, M944T3, NL944D3, and NL944T3

Please read thoroughly before attempting to use this manual:

Table of Contents	I
Model Designation & Serial Numbers	II
Reading a Parts Page	III

Table of Contents

GROUP 1 - ENGINE

Cylinder Block	0 - 1
Flywheel Housing	2
Crankshaft, Pulley, and Flywheel	3
Main Bearing	4
Piston & Connecting Rod	6 - 9
Timing Gear & Cover	10 - 11
Camshaft	12
Oil Pump & Pick-up	13
Side Cover & Relief Valve	14
Oil Filter	15
Oil Pan & Dipstick	16
Oil Drain Hose	17 - 18
Cylinder Head	19 - 20
Valve Train	21
Rocker Arm Cover & Crankcase Breather	22

GROUP 2 - INTAKE & EXHAUST SYSTEM

Intake Manifold	1 - 2
Air Filter, Mounting & Connectors	3 - 15
Exhaust Manifold	16 - 18
Turbocharger	20 - 23
Wet & Dry Exhaust Elbows	24 - 27

GROUP 3 - COOLING

Expansion Tank & Thermostat Housing	0 - 1
Heat Exchanger & Mounting	2
Heat Exchanger Assembly	3
Thermostat & Housing	4
Coolant Pump	5 - 6
Raw Water Pump	7 - 10
Oil Cooler	11
Pump Adaptor Parts and Oil Fill	12
Keel Cooling Outlet	13
Cooling Fan	14
Radiator	16 - 18

GROUP 4 - FUEL SYSTEM

Fuel System Assembly	0 - 9
Injection Pump	10 - 13
Double Wall Fuel Lines	14
USCG Fuel Lines	16 - 28
Fuel Lines	29
Fuel Feed Pump	30 - 33
Fuel Injector	34 - 37

GROUP 5 - ELECTRICAL SYSTEM

Engine	0 - 31
Electrical System Air Intake Heater Sub Assembly ..	32
Alternator & Mounting	33 - 38
Stop Solenoid & Mounting	39 - 40
Relay Logic Board	41 - 42
Drive Belt	43
Belt Guard	44 - 51
Control Panels	52 - 63

GROUP 6 - GASKET SETS

Gasket Sets	0 - 5
-------------------	-------

GROUP 8 - FRAME & MOUNTING

Engine Lifting Eye	1
Base Frame	2 - 13

GROUP 9 - ACCESSORIES

& OPTIONAL EQUIPMENT

PTO Adapter	0 - 1
Electric Clutch	2
Idler Pulley and Mounting	3
Oil Filter Relocation	4 - 7
Fuel Filter Relocation	8 - 11
Low Oil Level Switch/ Gauge	12 - 14
Low Coolant Level Switch/ Gauge	15 - 16
Raw Water Flow Switch	17
Block Heater	18 - 19
Oil Filter, Right Hand Mounting	20 - 21

Proprietary Information

This publication is the sole property of Northern Lights, Inc.

It may not be reproduced in whole or part without the expressed written permission of Northern Lights, Inc.

© Northern Lights, Inc. 2016. All rights reserved. Litho U.S.A. Publication number: P944-3 9/16

Model Designation

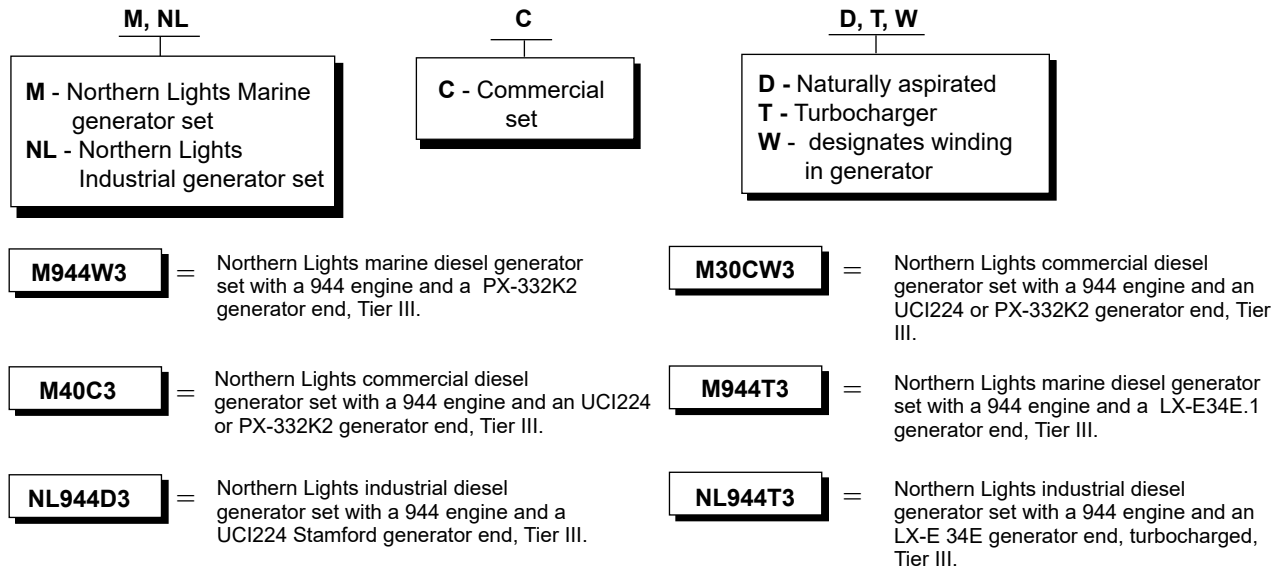
MODELS INCLUDED

This manual covers the operating instructions for:

M944W3, M30CW3, M40C3, M944T3, NL944D3, and NL944T3

Model Numbers

Model numbers give the unit's application, block model, aspiration, and RPM:



Serial Numbers

NORTHERN LIGHTS

Northern Lights generator sets have two serial numbers. One serial number is for the generator end, and it is found on the Generator End Data Plate. One is for the generator set and it looks like the below (figure 1). Please have your generator set serial number ready when you call in for service or parts.

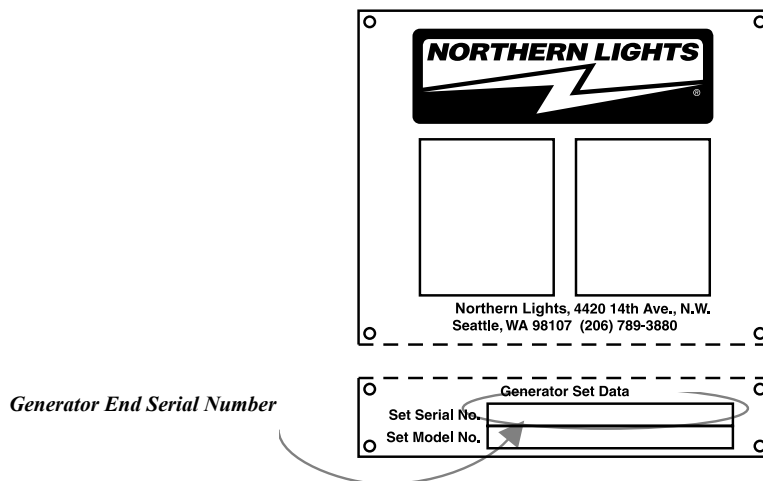


Figure 1. Generator Set Serial Number Plate

Reading a Parts Page

IMPORTANT:

Before selecting parts, be sure that you are choosing parts from the correct page.
Check the model designation at the page top.
Do not use this illustration for parts purchasing.

KEY	PART NUMBER	QTY.	DESCRIPTION	SERIALNUMBER
0	185046210	1	Alternator Assembly	-
1	185446219	1	Flywheel, complete	-
2	185446217	1	Plate, complete	-
3	185716200	1	Plate	-
4	185446218	1	Stator, complete	-
5	040126210	2	Bearing	-
6	020210010	1	Nut	-
7	027100010	1	Spring washer	-
8	026100010	1	Washer	-
9	185446220	1	Clamp	-
10	015140408	1	Screw	-
11	015140425	2	Screw	-
12	199236510	1	Collar	-

13 P944 06/96 14
11 5 - 2 12

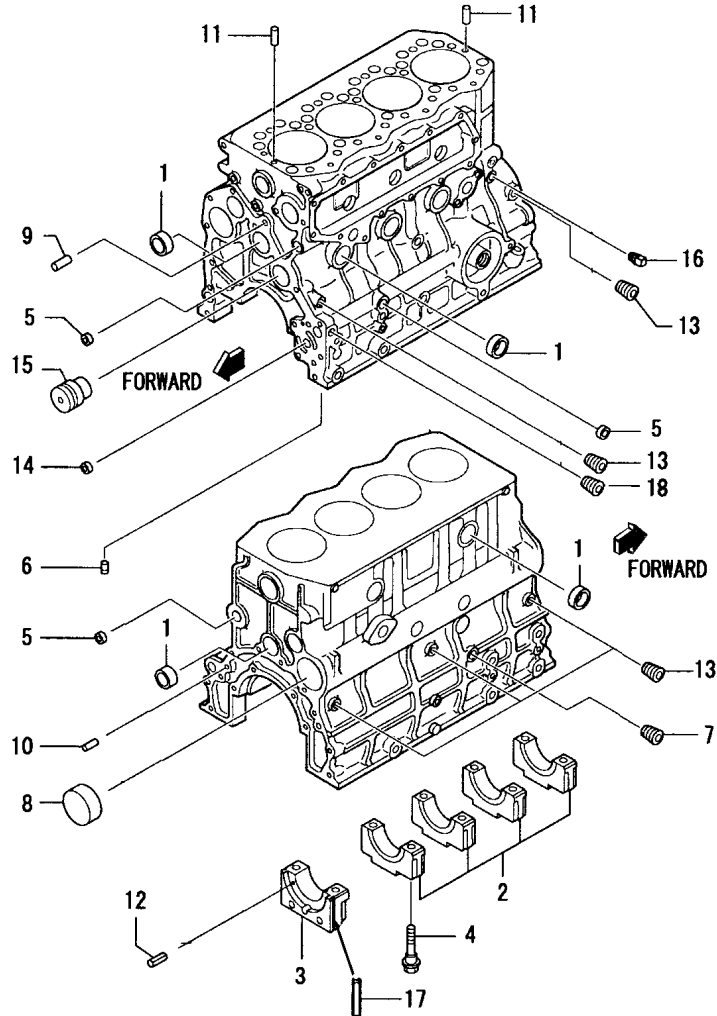
REFERENCES:

1. Grouping section title.
2. Model designation of equipment that uses parts listed on this page.
3. Title and description of assembly.
4. Drawing numbers that correspond to key column numbers for parts identification.
5. Key column for locating parts shown on drawing.
6. Part number.
7. Quantity of parts used.
8. Description of each component part.
9. Serial number of unit the part fits.
10. Assembly or kit designated by Key 0 or ••/•.
11. Grouping index number.
12. Page number within the grouping index.
13. Manual title.
14. Page publication date.

NOTE: ⇨ Arrows always point toward the front of the engine.

Cylinder Block

M944W3, M30CW3, &
NL944D3

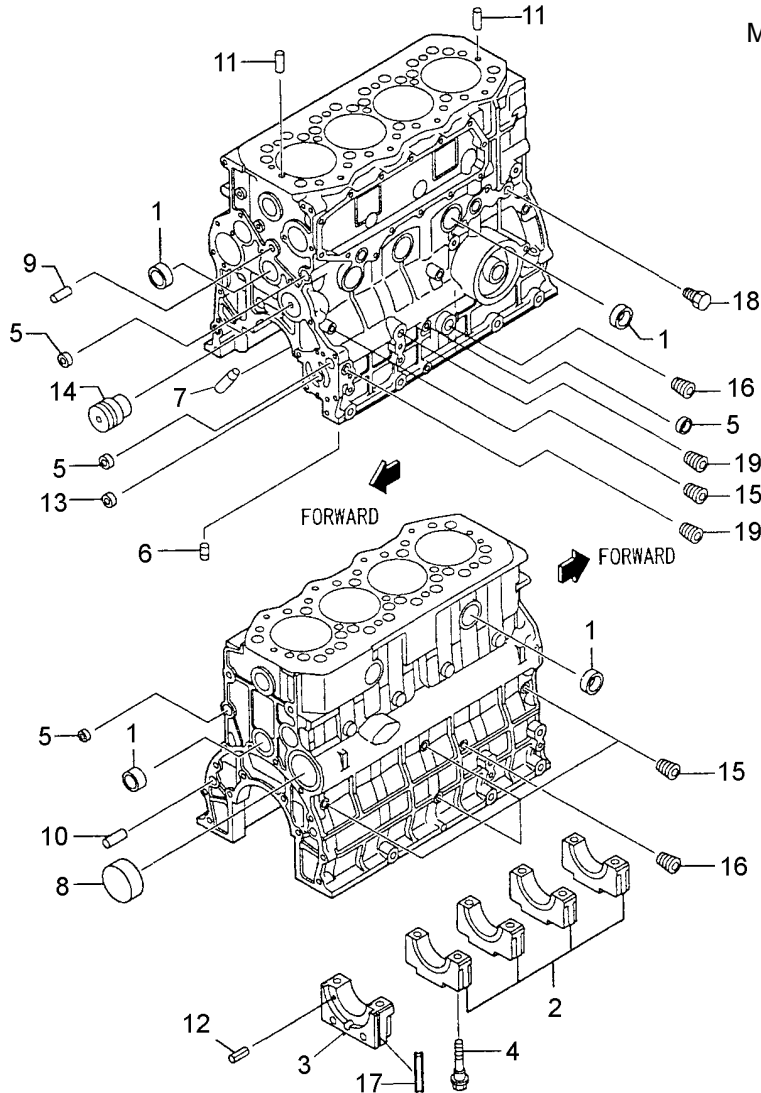


Dwg. #32B0710

KEY	PART NUMBER	QTY	DESCRIPTION	SERIAL NUMBER
••	32A0741010	1	Cylinder Block Assembly (includes keys 1- 16)	-
1	0482623500	10	Expansion Plug	-
2		4	Bearing Cap*	-
3		1	Bearing Cap, Rear*	-
4	32A0702600	10	Bolt, Bearing Cap	-
5	0482621800	4	Expansion Plug	-
6		1	Plug*	-
7	MS661142	1	Plug, Tapered	-
8	3430702100	1	Plug, Cam	-
9	32A0701501	2	Dowel Pin	-
10	F284612000	2	Dowel Pin	-
11	F284605000	2	Dowel Pin	-
12	F285004008	6	Spring Pin	-
13	MS661140	7	Plug, Tapered	-
14	0560501410	1	Bushing	-
15	32A2303500	1	Idler Shaft	-
16	MD000269	1	Plug, Tapered	-
17	32A0711700	2	Side Seal	-
18	0482790170	1	Plug, Tapered	-
			*Part unavailable separately	

Cylinder Block

M944T3 - M40C3, NL944T3

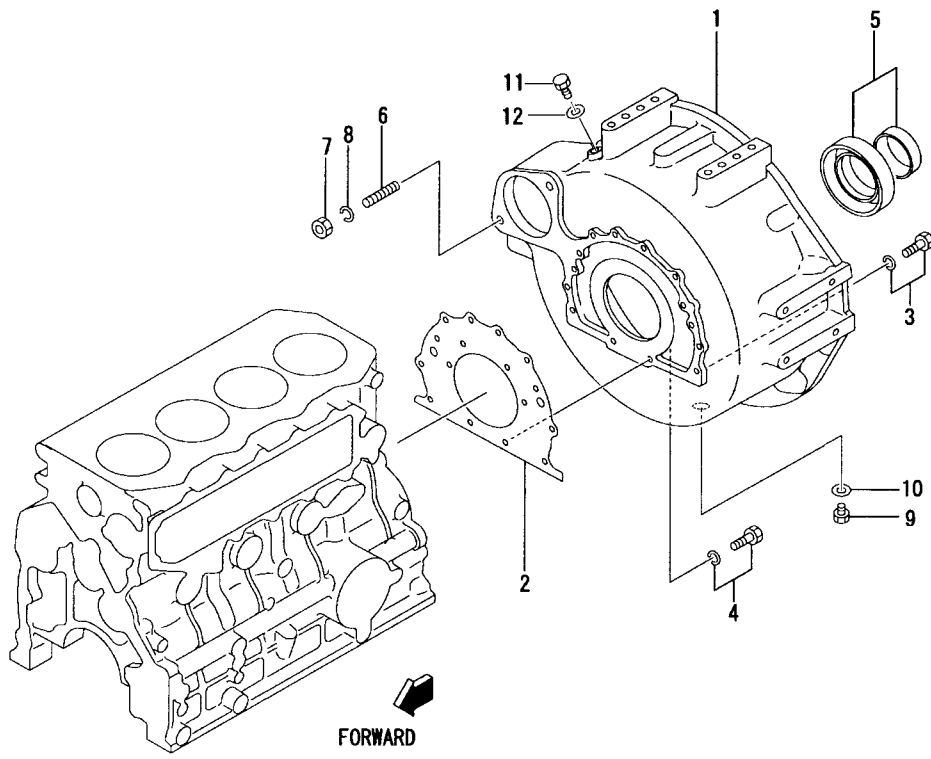


Dwg. #32B0723

KEY	PART NUMBER	QTY	DESCRIPTION	SERIAL NUMBER
••	32A0744010	1	Cylinder Block Assembly (includes keys 1- 16, 18-19)	-
1	0482623500	10	Expansion Plug	-
2		4	Bearing Cap*	-
3		1	Bearing Cap, Rear*	-
4	32A0702600	10	Bolt, Bearing Cap	-
5	0482621800	4	Expansion Plug	-
6		1	Plug*	-
7	32A0701800	1	Check Valve	-
8	3430702100	1	Plug, Cam	-
9	32A0701501	2	Dowel Pin	-
10	MF472446	2	Dowel Pin	-
11	F284605000	2	Dowel Pin	-
12	F285004008	6	Spring Pin	-
13	0566001410	1	Bushing	-
14	32A2303500	1	Idle Shaft	-
15	MS661140	7	Plug, Tapered	-
16	MS661142	2	Plug, Tapered	-
17	32A0711700	2	Side Seal	-
18	MD000269	1	Plug, Tapered	-
19	0482790170	2	Plug, Tapered	-

*Part unavailable separately

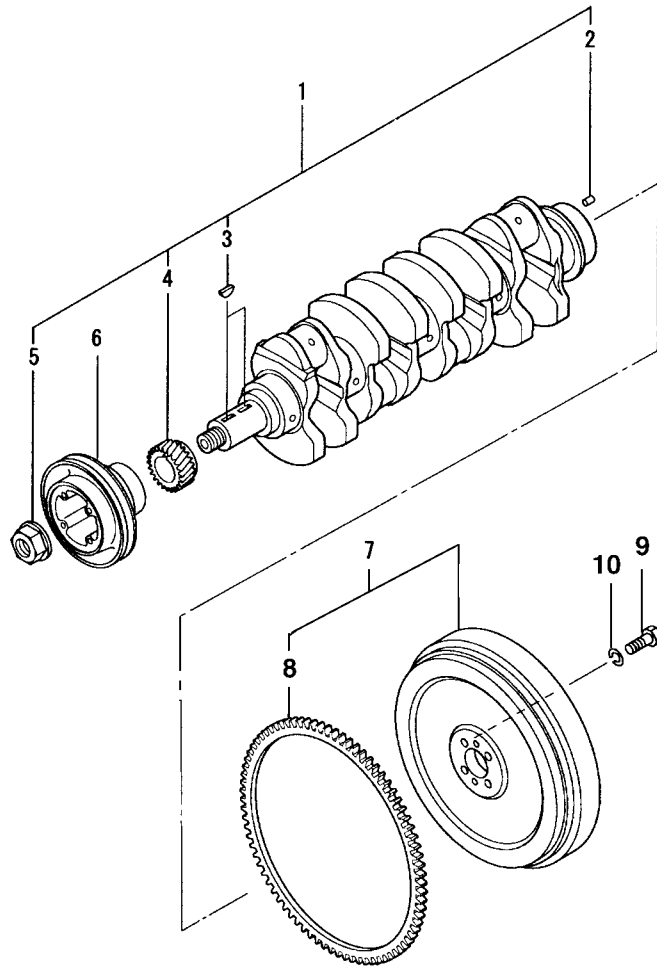
Flywheel Housing



Dwg. #32B1209

KEY	PART NUMBER	QTY	DESCRIPTION	SERIAL NUMBER
1	32A1201100	1	Flywheel Housing SAE #4 (M944W3 & M30CW3)	-
	32B1200301	1	Flywheel Housing SAE #3 (M944T3, M40C3, NL944D3 & NL944T3)	-
2	32A0714201	1	Gasket	-
3	MF241282	10	Bolt with washer	-
4	MF241284	2	Bolt with washer	-
5	3440711090	1	Rear Main Crankshaft Seal	-
6	13-05001	2	Stud, M10 x 1.5 x 25 mm (37 mm LOA)	-
7	14-00811	2	Nut, M10 x 1.5	-
8	15-00802	2	Lock Washer M10	-
9	MD001404	1	Plug	-
10	MD00312	1	Gasket	-
11	MM316248	1	Plug	-
12	3063625901	1	Gasket	-
			} use with 32B1200301	

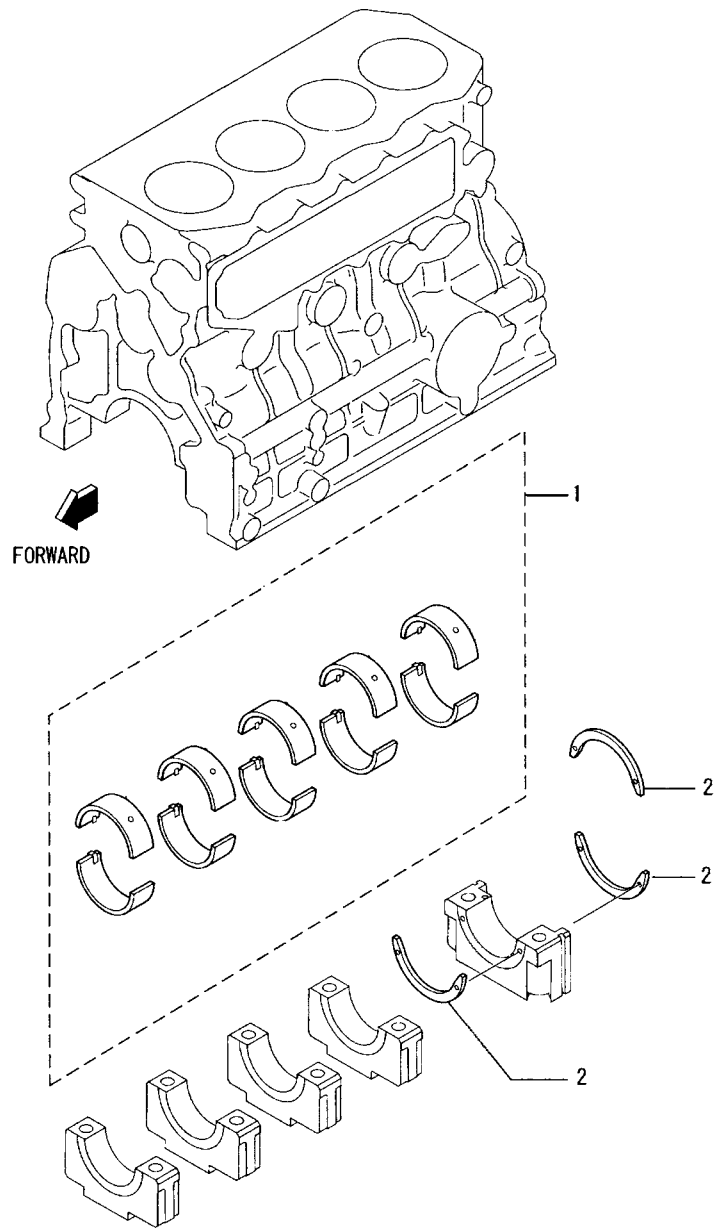
Crankshaft, Pulley, and Flywheel



Dwg. #32B2016, 32B2111

KEY	PART NUMBER	QTY	DESCRIPTION	SERIAL NUMBER
1	32A2000014	1	Crankshaft Assembly (M944W3, M30CW3, NL944D3, includes keys 2-5)	-
	32A2000052	1	Crankshaft Assembly (M944T3, M40C3, NL944T3, includes keys 2-5)	-
2	F284610000	2	Dowel Pin	-
3	F287007022	2	Woodruff Key	-
4	32A2300101	1	Gear (M944W3, M30CW3, NL944D3)	-
	32A2300301	1	Gear (M944T3 - M40C3 - NL944T3)	-
5	32A2002902	1	Nut (formerly #32A2002901)	-
6	32A2002101	1	Pulley (M944W3, M30CW3, & NL944D3)	-
	32A2002203	1	Pulley (M944T3 - M40C3 - NL944T3)	-
7	32A2104050	1	Flywheel Assembly SAE #10 (M944W3 & M30CW3, includes key 8) Former # 32A2111011	-
	32A2100051	1	Flywheel Assembly SAE #11-1/2 (M944T3 - M40C3 - NL944D3 & NL944T3, includes key 8)	-
8	3062161300	1	Ring Gear, 113 Teeth (use with 32A2111011 & 32A2104050)	-
	32A2100900	1	Ring Gear, 122 Teeth (use with 32A2100051)	-
9	F103512035	4	Bolt	-
10	F251512000	4	Spring Washer	-

Main Bearing

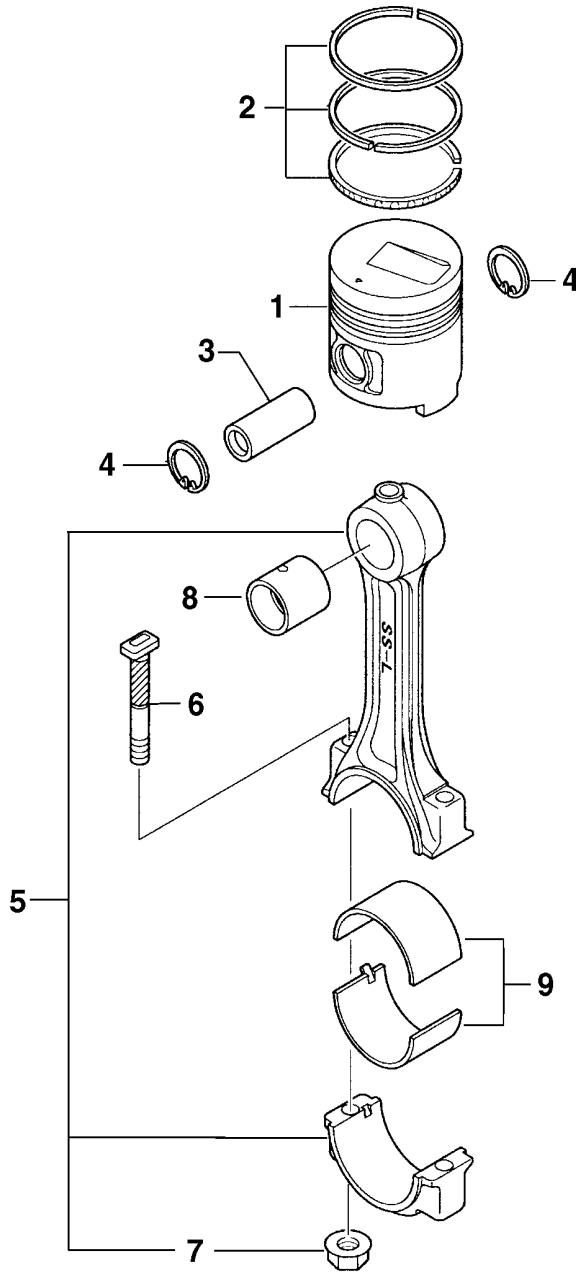


Dwg. #32B0903

KEY	PART NUMBER	QTY	DESCRIPTION	SERIAL NUMBER
1	32A09-00010	1	Main Bearing Set, Standard	-
	32A09-00020	1	Main Bearing Set, Undersize 0.25 mm	-
	32A09-00030	1	Main Bearing Set, Undersize 0.50 mm	-
	32A09-00040	1	Main Bearing Set, Undersize 0.75 mm	-
2	32B09-08101	3	Thrust Bearing, Standard	-
	32B09-08201	3	Thrust Bearing, Oversize 0.15 mm	-
	32B09-08301	3	Thrust Bearing, Oversize 0.30 mm	-

Piston & Connecting Rod

M944W3, M30CW3, & NL944D3



Dwgs. 32B1905 & 32B1718

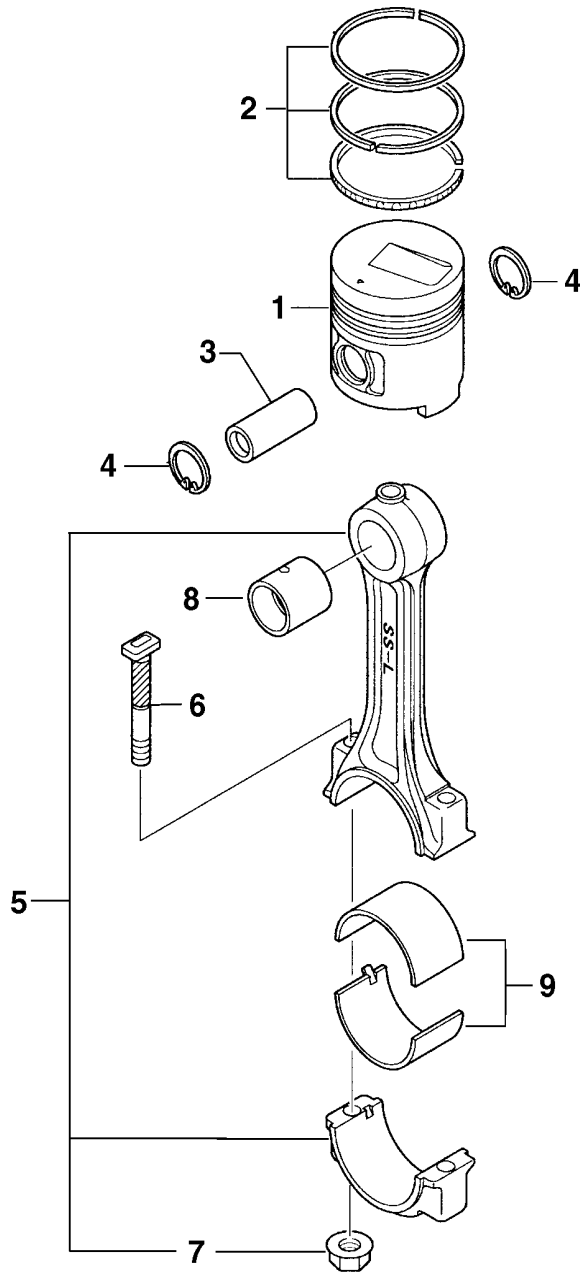
Piston & Connecting Rod

M944W3, M30CW3, & NL944D3

KEY	PART NUMBER	QTY	DESCRIPTION	SERIAL NUMBER
1	32A1710100	4	Piston, Standard	-
	32A1710200	4	Piston, Oversize 0.25 mm	-
	32A1710300	4	Piston, Oversize 0.50 mm	-
2	32A1702010	4	Ring Set, Piston, Standard	-
	32A1702020	4	Ring Set, Piston, Oversize 0.25 mm	-
	32A1702030	4	Ring Set, Piston, Oversize 0.50 mm	-
3	32A1708300	4	Piston Pin	-
4	F320203000	8	Snap Ring	-
5	32A1900012	4	Connecting Rod Assembly (includes keys 6- 8)	-
6	32A1900400	8	Bolt, Connecting Rod	-
7	3061910501	8	Connecting Rod Nut	-
8	32A1900501	4	Bushing, Connecting Rod	-
9	32A1909011	1	Bearing Set, Connecting Rod, Standard	-
	32A1909021	1	Bearing Set, Connecting Rod, Oversize 0.25	-
	32A1909031	1	Bearing Set, Connecting Rod, Oversize 0.50	-
	32A1909041	1	Bearing Set, Connecting Rod, Oversize 0.75	-

Piston & Connecting Rod

M944T3 - M40C3 - NL944T3



Dwgs. 32B1905 & 32B1718

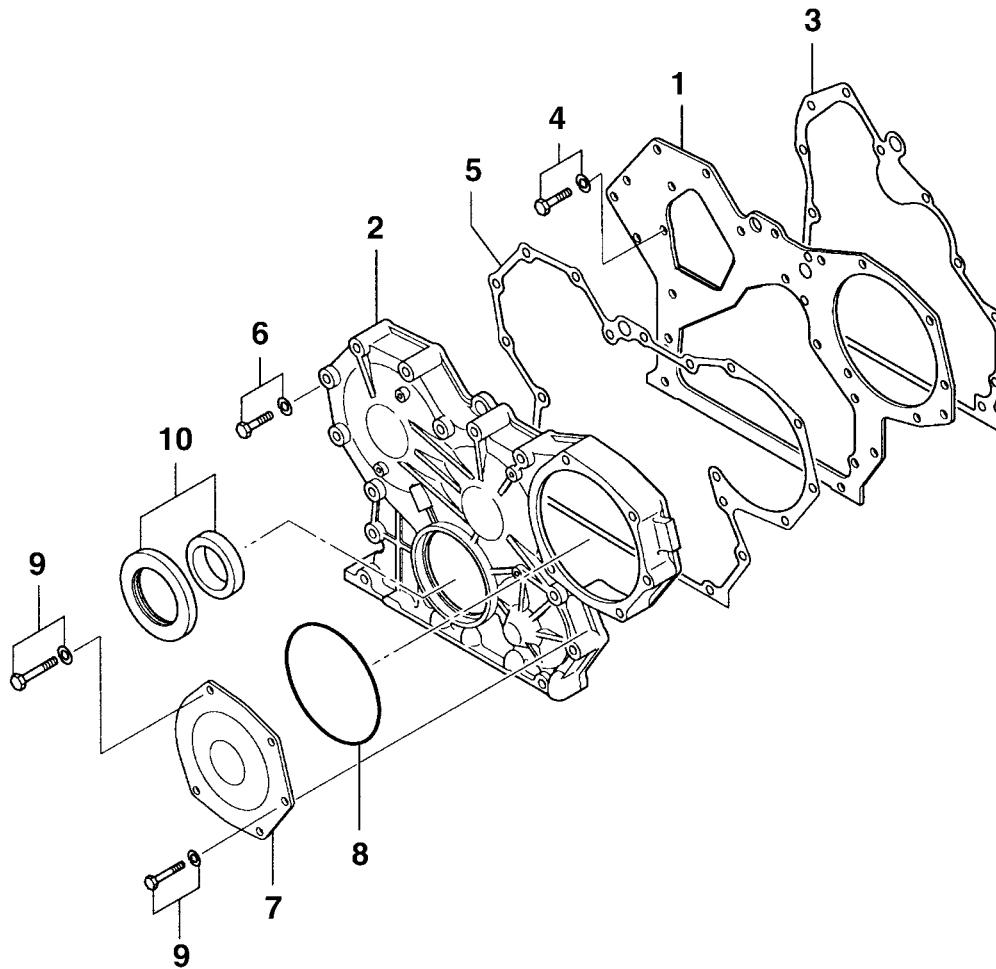
Piston & Connecting Rod

M944T3 - M40C3 - NL944T3

KEY	PART NUMBER	QTY	DESCRIPTION	SERIAL NUMBER
1	32A1708500	4	Piston, Standard	-
	32A1708600	4	Piston, Oversize 0.25 mm	-
	32A1708700	4	Piston, Oversize 0.50 mm	-
2	32A1703010	4	Ring Set, Piston, Standard	-
	32A1703020	4	Ring Set, Piston, Oversize 0.25 mm	-
	32A1703030	4	Ring Set, Piston, Oversize 0.50 mm	-
3	32A1708300	4	Piston Pin	-
4	F320203000	8	Snap Ring	-
5	32A1900012	4	Connecting Rod Assembly (includes keys 6- 9)	-
6	32A1900400	8	Bolt, Connecting Rod	-
7	3061910501	8	Connecting Rod Nut	-
8	32A1900501	4	Bushing, Connecting Rod	-
9	32A1909011	1	Bearing Set, Connecting Rod, Standard	-
	32A1909021	1	Bearing Set, Connecting Rod, Oversize 0.25	-
	32A1909031	1	Bearing Set, Connecting Rod, Oversize 0.50	-
	32A1909041	1	Bearing Set, Connecting Rod, Oversize 0.75	-

GROUP 1 – ENGINE

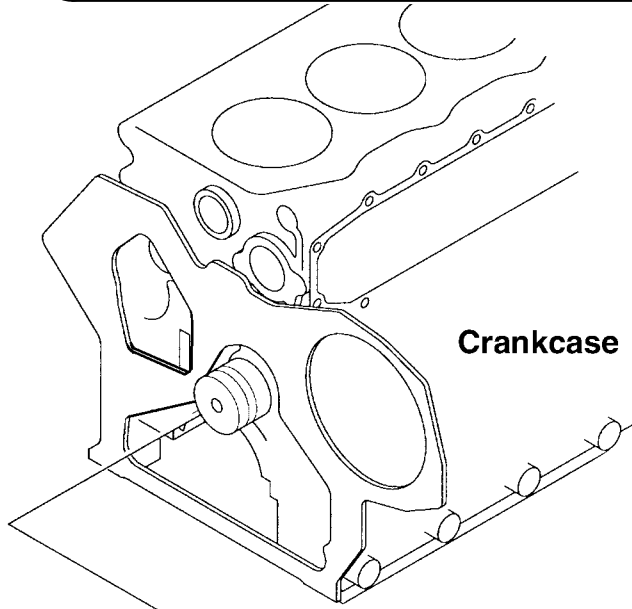
Timing Gear Cover



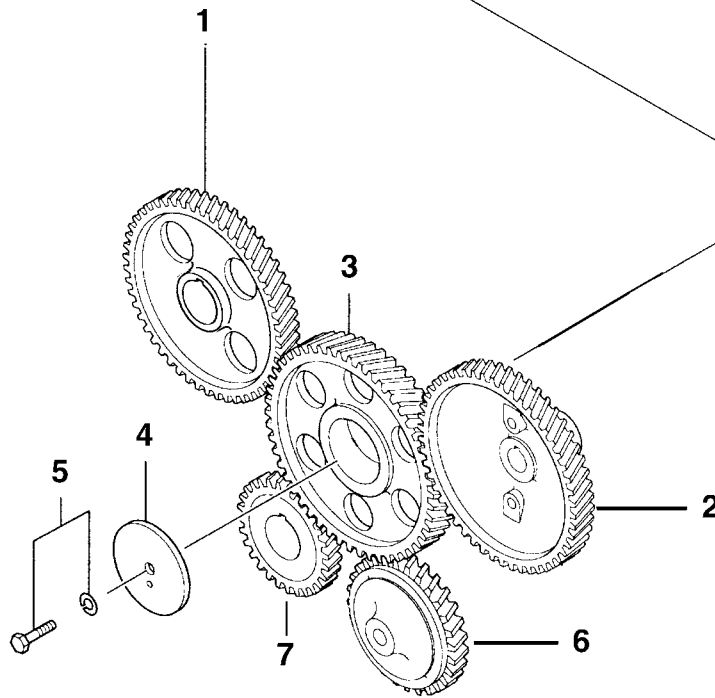
Dwg. #32B1107

KEY	PART NUMBER	QTY	DESCRIPTION	SERIAL NUMBER
1	32A1103100	1	Front Plate (M944W3 & M30CW3)	-
	32A1123100	1	Front Plate (NL944D3 - M944T3 - M40C3 - NL944T3)	-
2	32A1110100	1	Timing Gear Cover	-
3	32A0704100	1	Gasket	-
4	MF241251	5	Bolt with Washer	-
5	32A1100200	1	Gasket	-
6	MF241264	13	Bolt with Washer	-
7	32A1101100	1	Cover (M30CW3 - NL944D3 - NL944T3 - M40C3)	-
8	0601613140	1	O-ring	-
9	MF241266	5	Bolt with Washer	-
10	32A1104010	1	Crankshaft Seal Assembly	-

Timing Gear



Crankcase

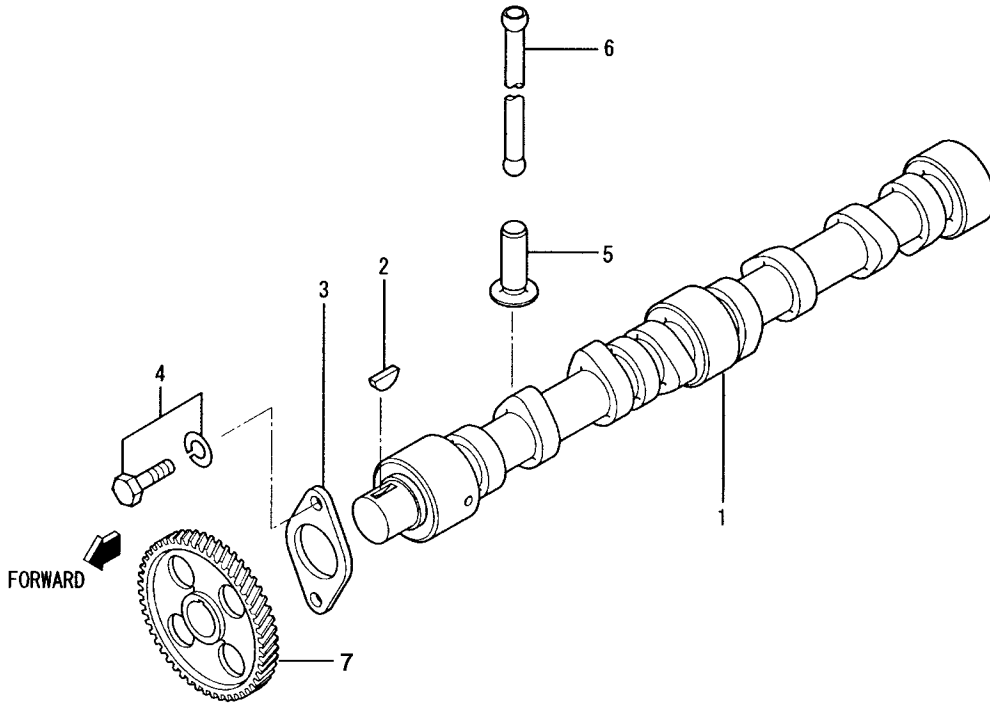


Dwg. #32B2304

KEY	PART NUMBER	QTY	DESCRIPTION	SERIAL NUMBER
1	32A2301101	1	Camshaft Gear	-
2	32A2312301	1	Injection Pump Gear (M944W3 - M30CW3 - NL944D3)	-
	32A2318600	1	Injection Pump Gear (M944T3 - M40C3 - NL944T3)	-
3	32A2303010	1	Idler Gear Assembly (M944W3 - M30CW3 - NL944D3)	-
	32A2303040	1	Idler Gear Assembly (M944T3 - M40C3 - NL944T3)	-
4	3432300801	1	Thrust Plate	-
5	MF241280	1	Bolt with Washer	-
6	32A3512101	1	Oil Pump Gear	-
7	32A2300101	1	Crankshaft Gear (M944W3 - M30CW3 - NL944D3)	-
	32A2300301	1	Crankshaft Gear (NL944T3)	-

GROUP 1 – ENGINE

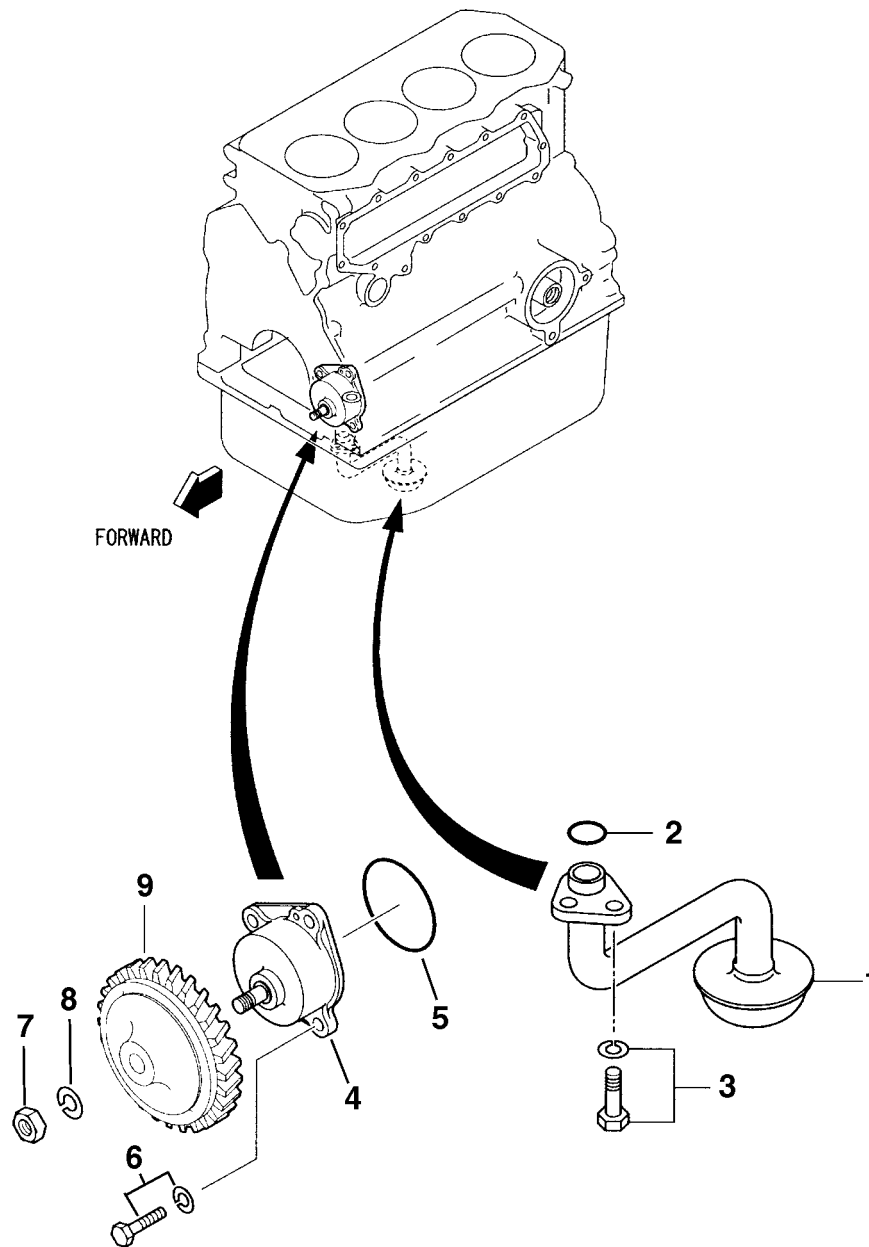
Camshaft



Dwg. #32B0504

KEY	PART NUMBER	QTY	DESCRIPTION	SERIAL NUMBER
1	32A0500101	1	Camshaft (M944W3, M30CW3, NL944D3)	-
	32A0507400	1	Camshaft (M944T3, M40C3, NL944T3)	-
2	F287007022	1	Woodruff Key	-
3	3040531403	1	Thrust Plate	-
4	MF241251	2	Bolt with Washer	-
5	32A0502101	8	Tappet	-
6	32A0513100	8	Push Rod	-
7	32A2301101	1	Camshaft Gear	-

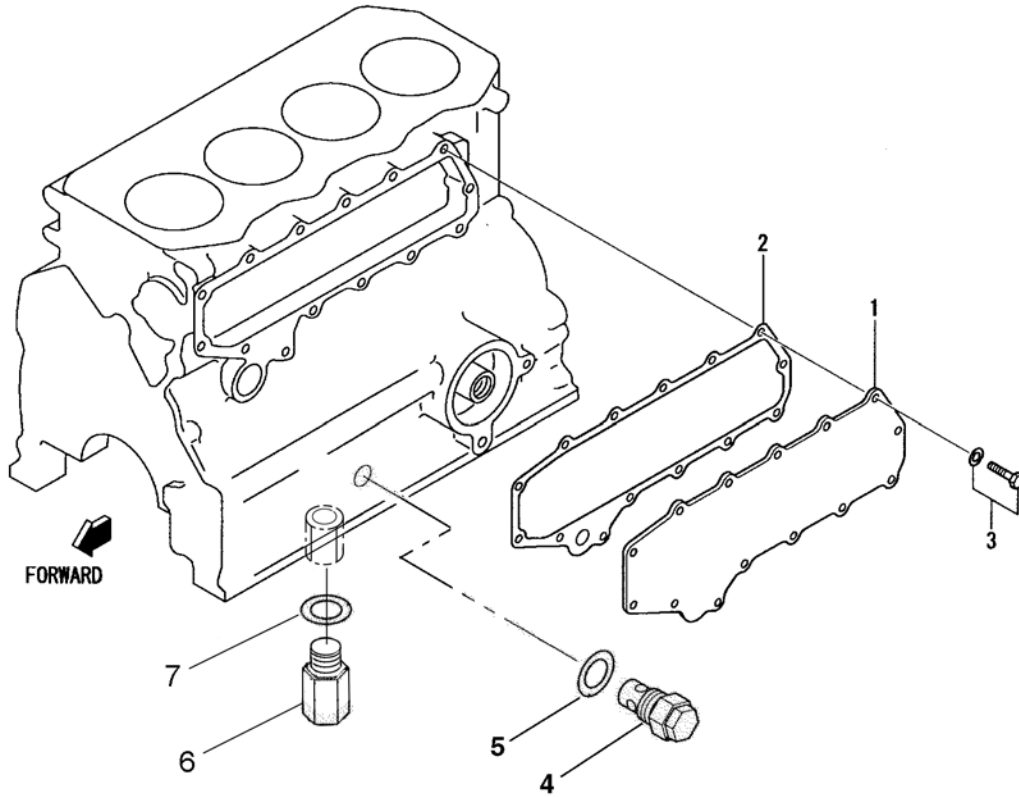
Oil Pump and Pick-up



Dwg. #32B3503 & 32B3504

KEY	PART NUMBER	QTY	DESCRIPTION	SERIAL NUMBER
1	32A3516101	1	Oil Pick-up	-
2	F315002000	1	O-ring	-
3	MF241251	2	Bolt with washer	-
4	32A3510012	1	Oil Pump Assembly	-
5	32A3500600	1	O-ring	-
6	MF240053	4	Bolt with Washer	-
7	F232010000	1	Jam Nut	-
8	F251510000	1	Spring Washer	-
9	32A3512101	1	Oil Pump Gear	-

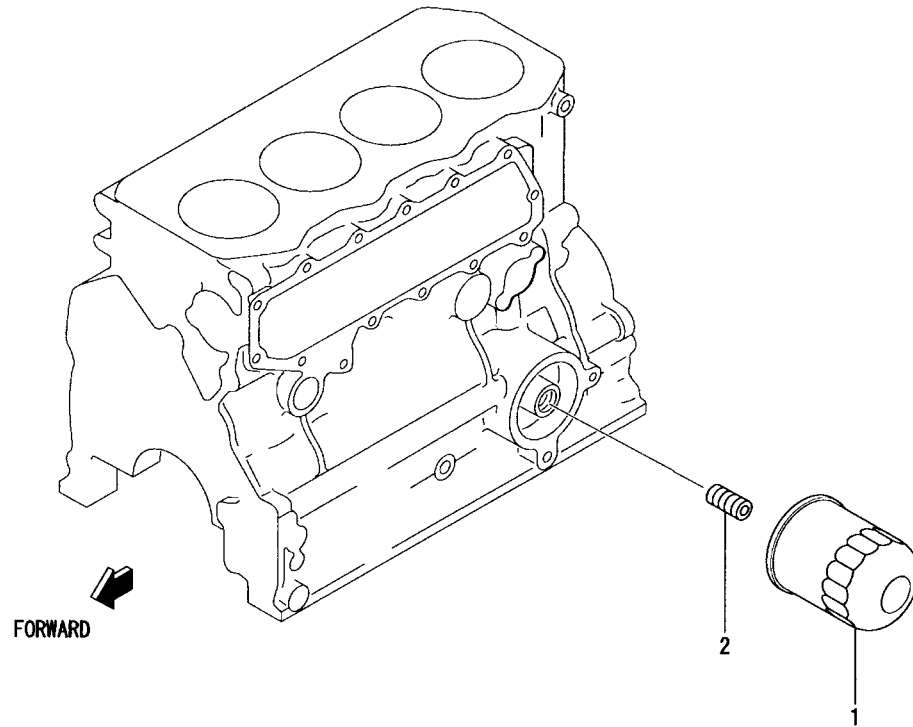
Side Cover and Relief Valve



Dwgs. # 32B3906 & 32B3606

KEY	PART NUMBER	QTY	DESCRIPTION	SERIAL NUMBER
1	32A3901100	1	Cover	-
2	32A3911200	1	Gasket	-
3	MF240051	14	Bolt with washer	-
4	32A3605012	1	Relief Valve Assembly	-
5	3434000700	1	Gasket	-
6	32A3610010	1	Valve Assembly (NL944T3 only)	-
7	F420218000	1	Gasket (NL944T3 only)	-

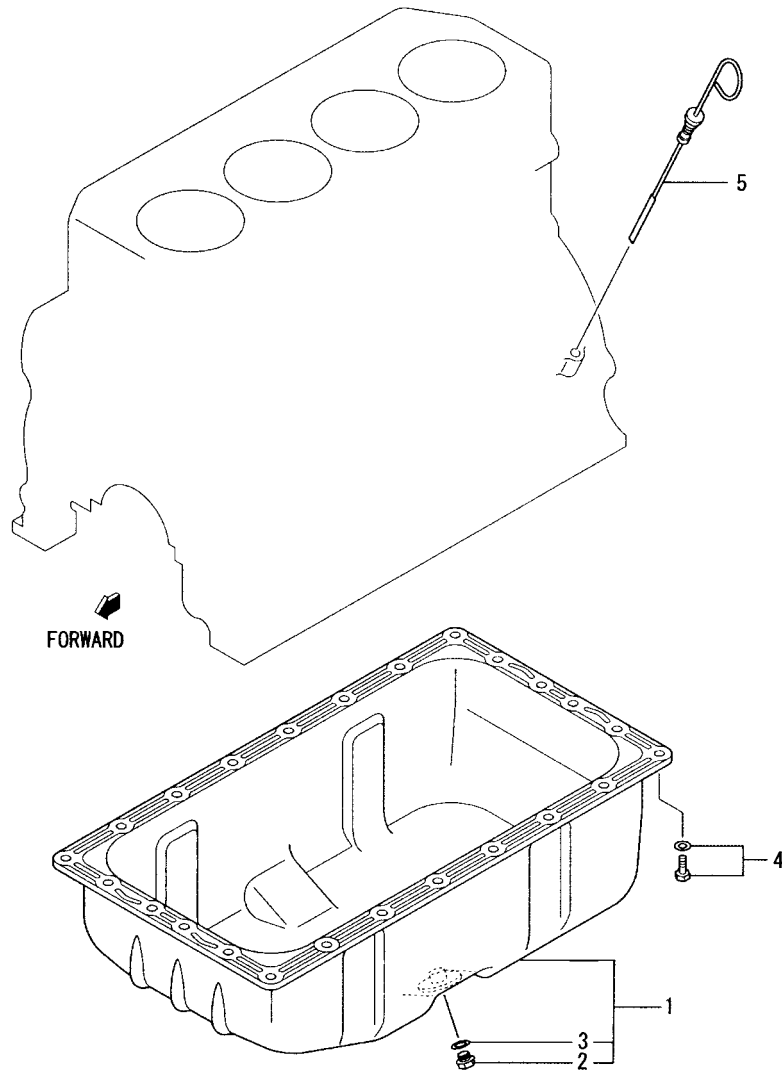
Oil Filter



32B4006

KEY	PART NUMBER	QTY	DESCRIPTION	SERIAL NUMBER
1	24-01201	1	Oil Filter (formerly #24-01202)	-
2	32A4001101	1	Union	-

Oil Pan and Dipstick

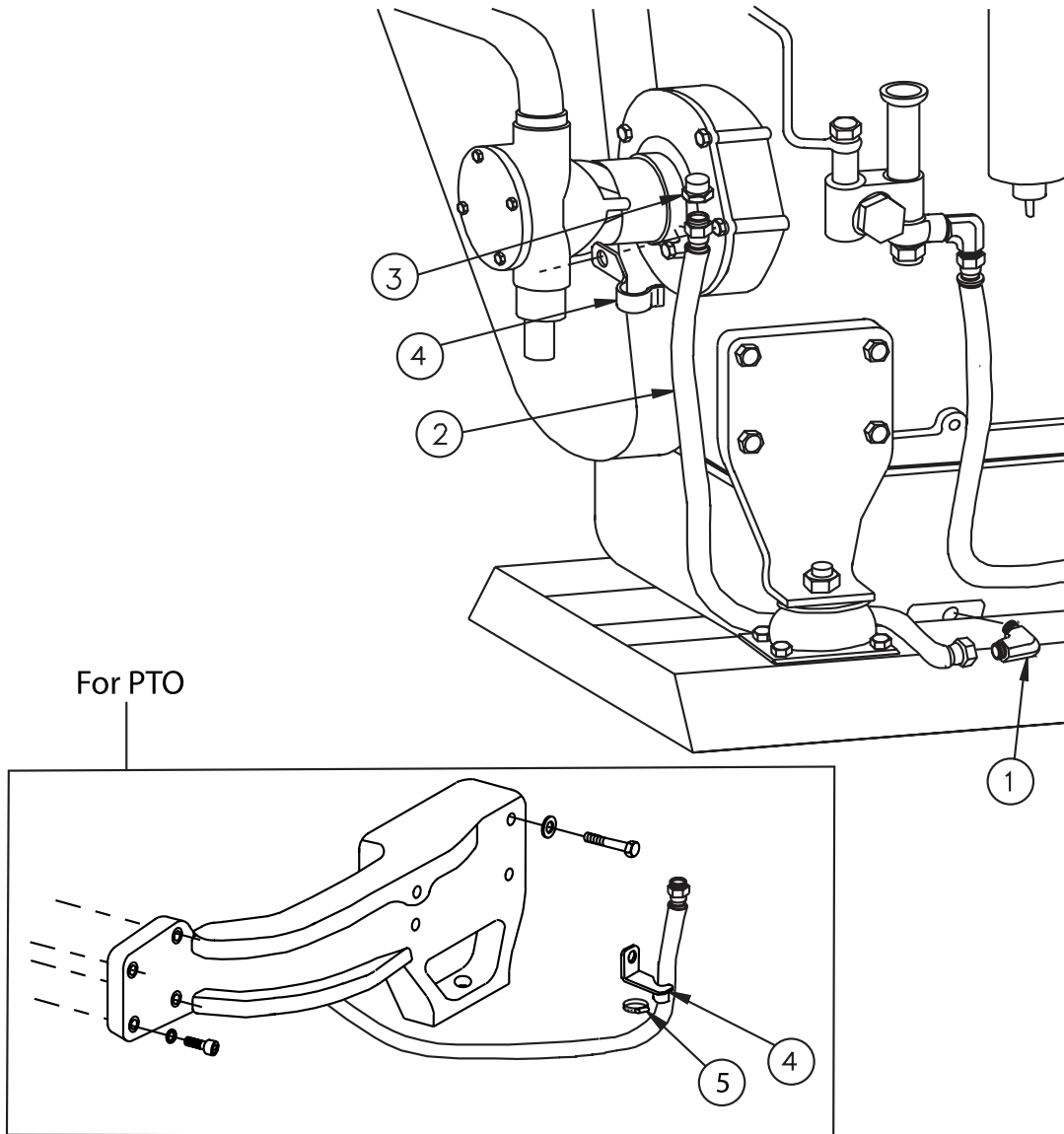


Dwg. #: 32B1306

KEY	PART NUMBER	QTY	DESCRIPTION	SERIAL NUMBER
1	32A1300011	1	Oil Pan (includes keys 2 & 3)	-
2	MD050316	**	Plug, M14 x 1.5	-
3	MD050317	**	Gasket	-
4	MF240051	24	Bolt with Washer	-
5	32A4205100	1	Dipstick	-
			**As required	

Oil Drain Hose

M30CW, up to S/N xxxx-47262C



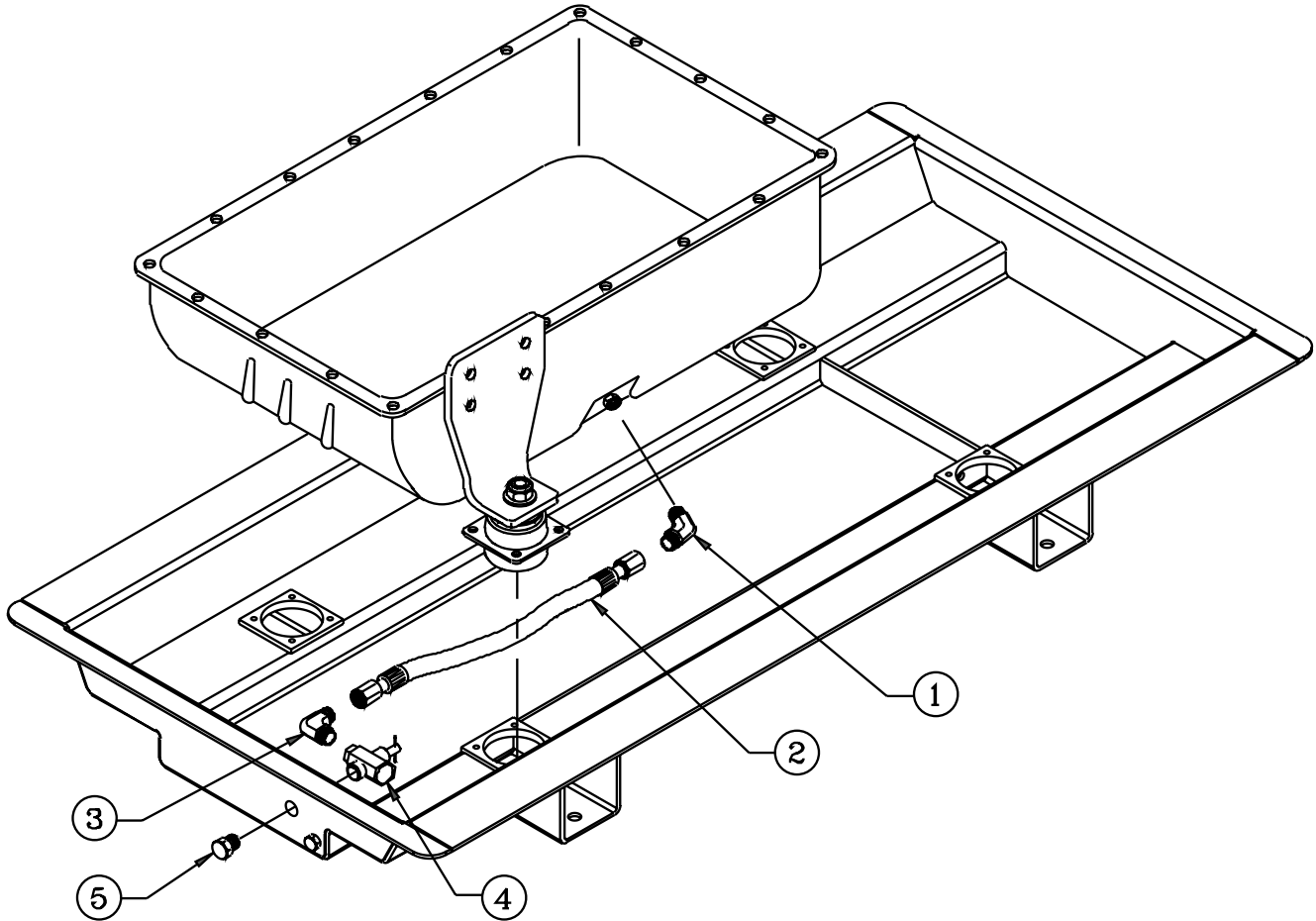
A-11229 / B-9066

KEY	PART NUMBER	QTY	DESCRIPTION	SERIAL NUMBER
1	21-54901	1	Male Elbow, 90° Steel M14 x 1.5 x 3/8- 37T	-
2	18-71201	1	Hose Assembly 1/2" I.D. x 19- 1/2"	-
3	21-00003	1	Cap, Hex Head Brass 1/2 NPT	-
4	23-72003	1	Bracket, Oil Drain Hose Support (without PTO)	-
	23-75415	1	Bracket, Oil Drain Hose Support (with PTO)	-
5	19-00010	1	Hose Clamp (with PTO)	-

GROUP 1 – ENGINE

Oil Drain Hose M944W & M944T3

M944W from S/N xxxx-47263C & M944T3 All

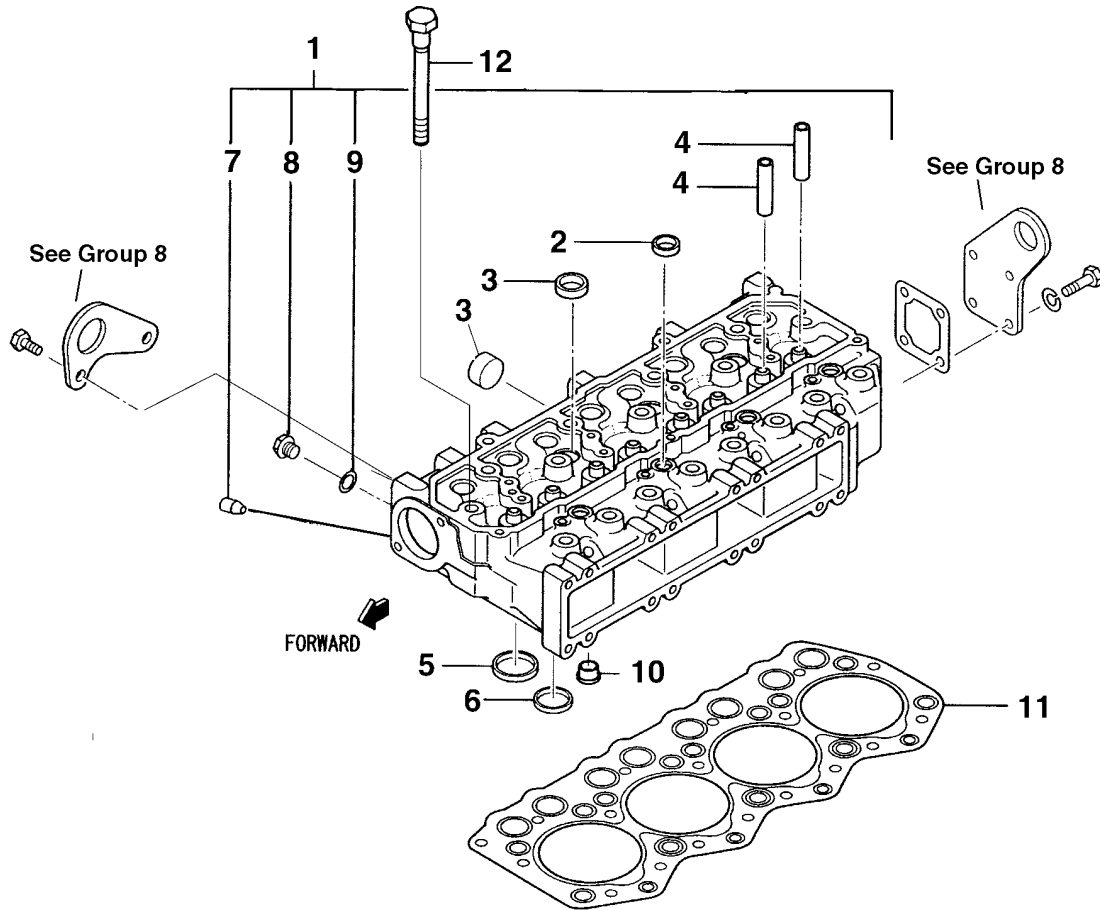


A-12291 / B-9525

KEY	PART NUMBER	QTY	DESCRIPTION	SERIAL NUMBER
1	21-71212	1	Male Elbow, 90° Steel M14 x 1.5 x 3/8- 37T (former # 21-54901)	-
2	18-71204	1	Hose Assembly 3/8" I.D. x 14"	-
3	21-00606	1	Male Elbow 90° Steel 3/8 NPT x 3/8- 37T	-
4	36-71201	1	Shut-off Ball Valve, Brass 3/8 NPT	-
5	21-31003	1	Plug, Hex Head Brass 3/8 NPT	-

Cylinder Head

M944W3, M30CW3, & NL944D3



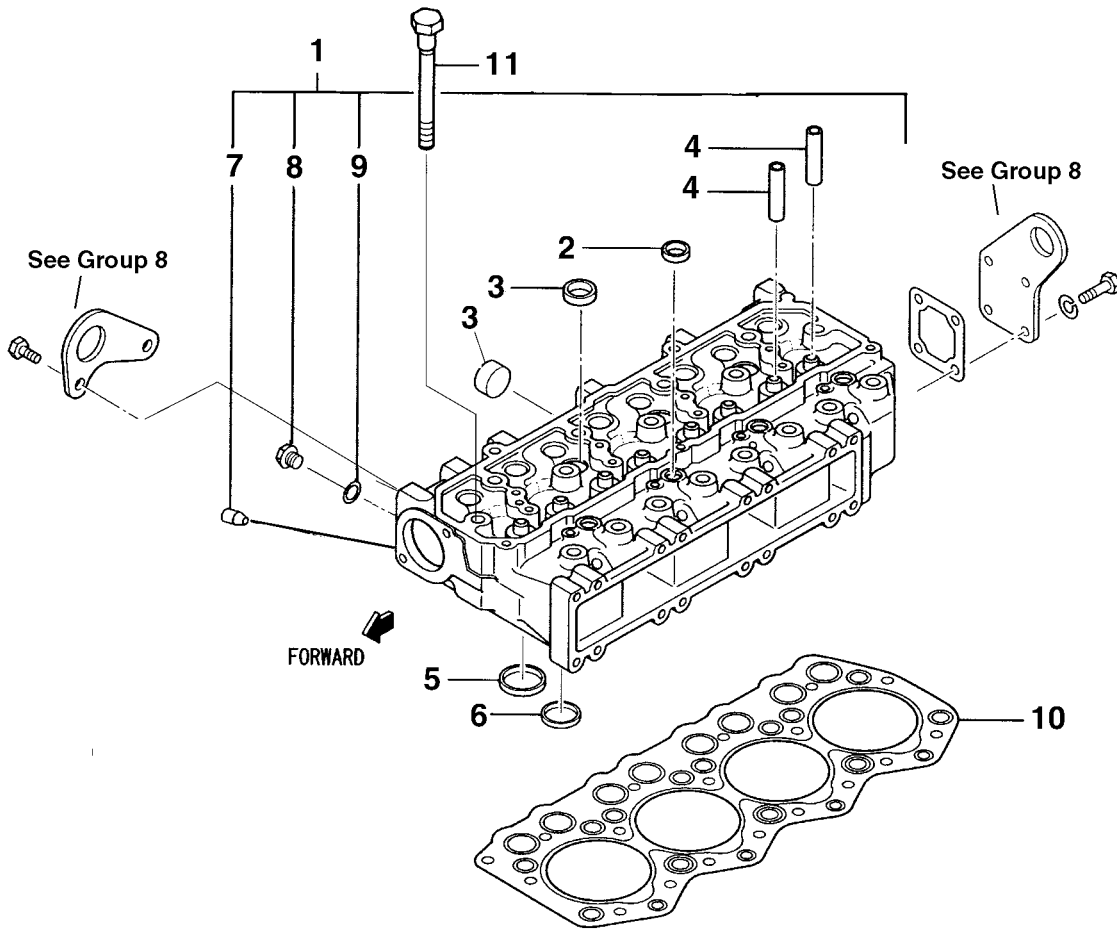
32B0106

KEY	PART NUMBER	QTY	DESCRIPTION	SERIAL NUMBER
1	32A0121020	1	Cylinder Head Assembly (includes keys 2-10)	-
2	0482622000	12	Expansion Plug	-
3	0482622500	7	Expansion Plug	-
4	32A0101600	8	Valve Guide	-
5	32A0103100	4	Valve Seat, Intake	-
6	32A0103200	4	Valve Seat, Exhaust	-
7		1	Plug (Not available separately)	-
8	MM316248	1	Drain Plug	-
9	3063625901	1	Gasket	-
10	32A0301100	4	Combustion Chamber	-
11	32A0102204	1	Head Gasket	-
12	32A0101400	17	Cylinder Head Bolt	-

GROUP 1 - ENGINE

Cylinder Head

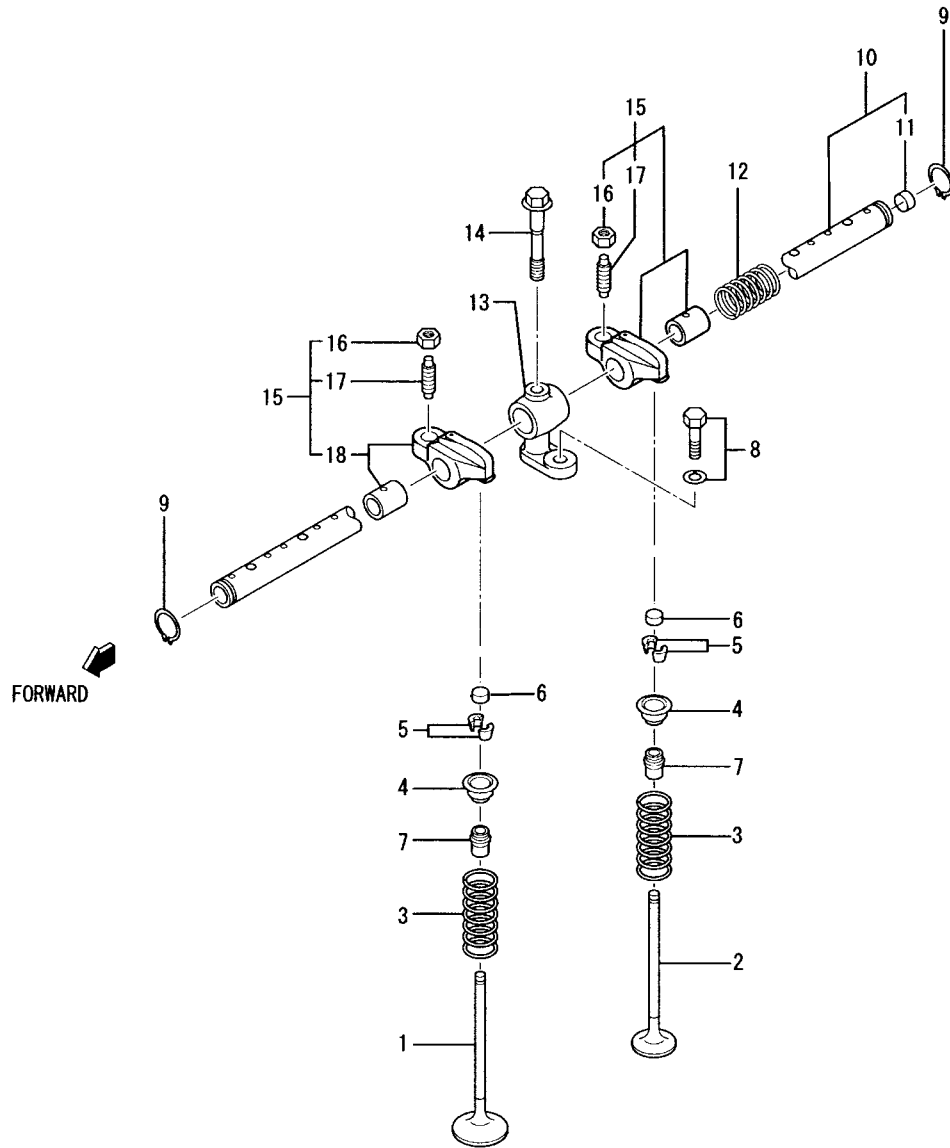
M944T3 - M40C3 - NL944T3



32B0106a

KEY	PART NUMBER	QTY	DESCRIPTION	SERIAL NUMBER
1	32A0126020	1	Cylinder Head Assembly (includes keys 2-9)	-
2	0482622000	12	Expansion Plug	-
3	0482622500	7	Expansion Plug	-
4	32A0101600	8	Valve Guide	-
5	32A0103100	4	Valve Seat, Intake	-
6	32A0103200	4	Valve Seat, Exhaust	-
7		1	Plug (Not available separately)	-
8	MM316248	1	Drain Plug	-
9	3063625901	1	Gasket	-
10	32K0102100	1	Head Gasket (former # 32A0112300)	-
11	32A0101400	17	Cylinder Head Bolt	-

Valve Train

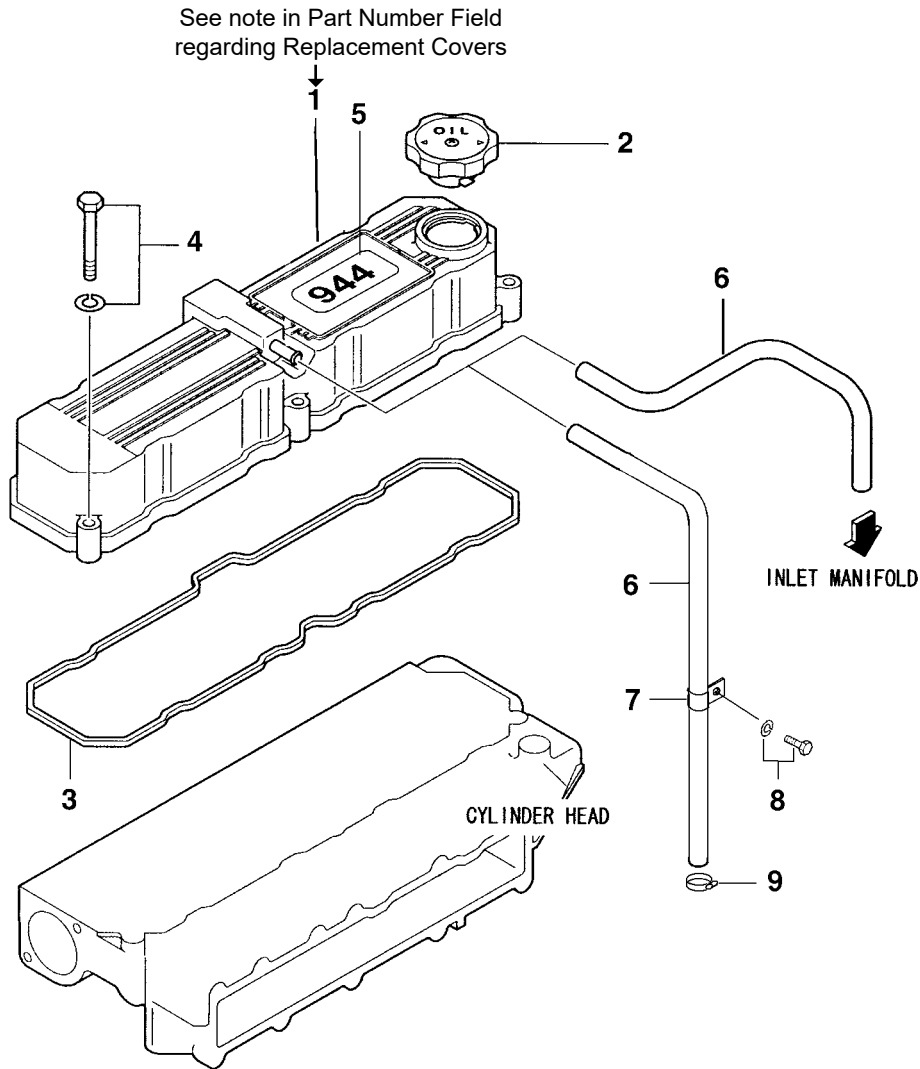


32B0410

KEY	PART NUMBER	QTY	DESCRIPTION	SERIAL NUMBER
1	32A0420100	4	Intake Valve	-
2	32A0421100	4	Exhaust Valve	-
3	3060421402	8	Valve Spring	-
4	3060431601	8	Upper Retainer	-
5	3440402901	16	Valve Cotter	-
6	3130411700	8	Cap	-
7	32A0402801	8	Valve Stem Seal	-
8	MF241255	4	Bolt with washer	-
9	MF522010	2	Snap Ring	-
10	32A0404011	1	Rocker Shaft Assembly (includes key 11)	-
11	0482621200	2	Sealing Cap	-
12	32CO404501	3	Spring	-
13	32A0404701	4	Rocker Stand	-
14	32A0404801	4	Bolt	-
15	32A0422010	8	Rocker Arm Assembly (includes keys 16-18)	-
16	F232508000	8	Jam Nut	-
17	32A0402401	8	Adjusting Screw	-

GROUP 1 – ENGINE

Rocker Arm Cover and Crankcase Breather

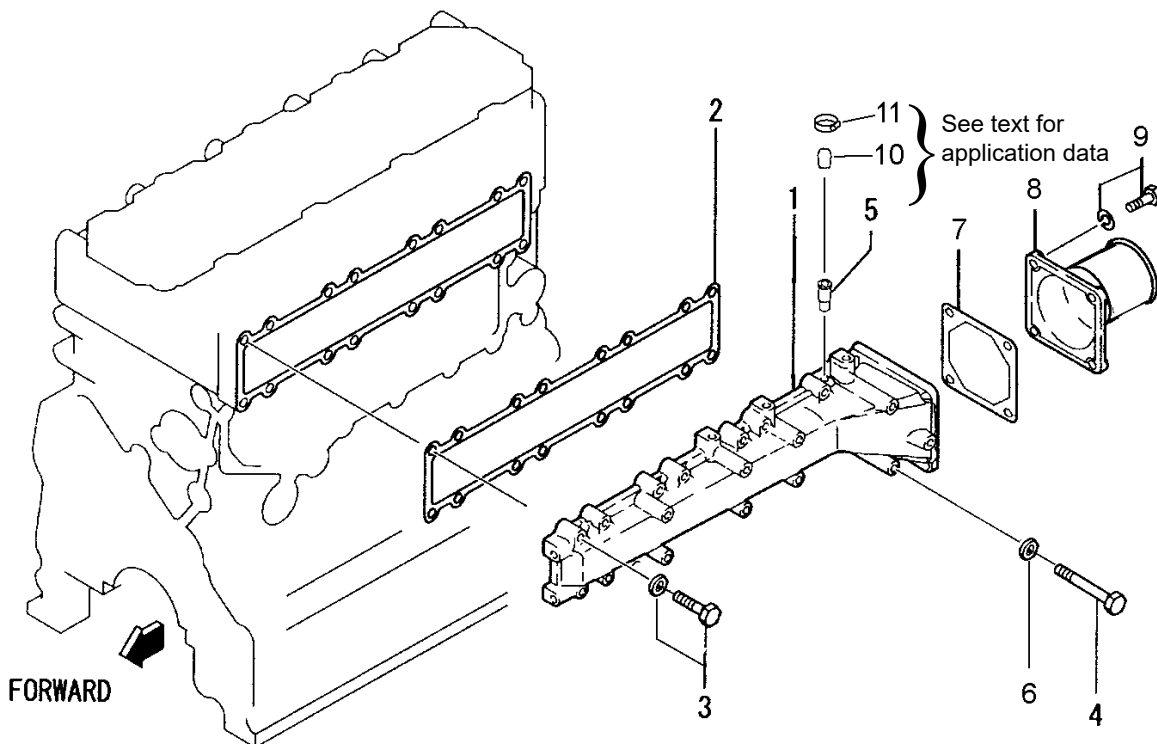


32B4302, 32B0411

KEY	PART NUMBER	QTY	DESCRIPTION	SERIAL NUMBER
1	32A0423010	1	Rocker Cover (former # 32A043012) *	-
2	MD008784	1	Cap, Oil Filler	-
3	32A0413200	1	Gasket, Rocker Cover	-
4	MF241261	5	Bolt with washer	-
5	00-01203	1	Label "944"	-
6	41-01020	9"	Hose 3/8" I.D. (M944W3, M30CW3, & NL944D3, Sold per inch)	-
	41-01020	40"	Hose 3/8" I.D. (Sold per inch)	-
7	5170301000	1	Clip	-
8	MF240049	1	Bolt with Washer	-
9	32A4300900	1	Hose Clip	-
			} NL944T3 only	
			* Note: Emissions regulations require engine serial number and return of original rocker cover with EPA label to Northern Lights before the replacement cover can be supplied.	

Intake Manifold

M944W3, M30CW3, M944T3, M40C3 & NL944D3



32B3006

KEY	PART NUMBER	QTY	DESCRIPTION	SERIAL NUMBER
1	10-21203	1	Intake Manifold (includes key 6) (former # 32A3016012)	-
2	11-21203	1	Gasket (former # 32A3000201)	-
3	01435-00840	14	Capscrew, Hex Head Flanged M8 x 1.25 x 40 mm **	-
4	01435-00885	2	Capscrew, Hex Head Flanged M8 x 1.25 x 85 mm **	-
5		1	Pipe*	-
	21-00027	**	Plug 1/8 NPT - use with manifold 10-21203	-
	21-21206	**	Elbow 1/8 NPT x 3/8" Hose Barb (M944 non-turbo)	-
6	15-00702	***	Spring Washer	-
7	3433004300	1	Gasket	-
8	3673001101	1	Air Inlet	-
9	MF240054	4	Bolt with Washer	-
10	21-21202-1	1	Cap (M944T3 & M40C3)	-
11	19-50115	1	Clamp (M944T3 & M40C3)	-

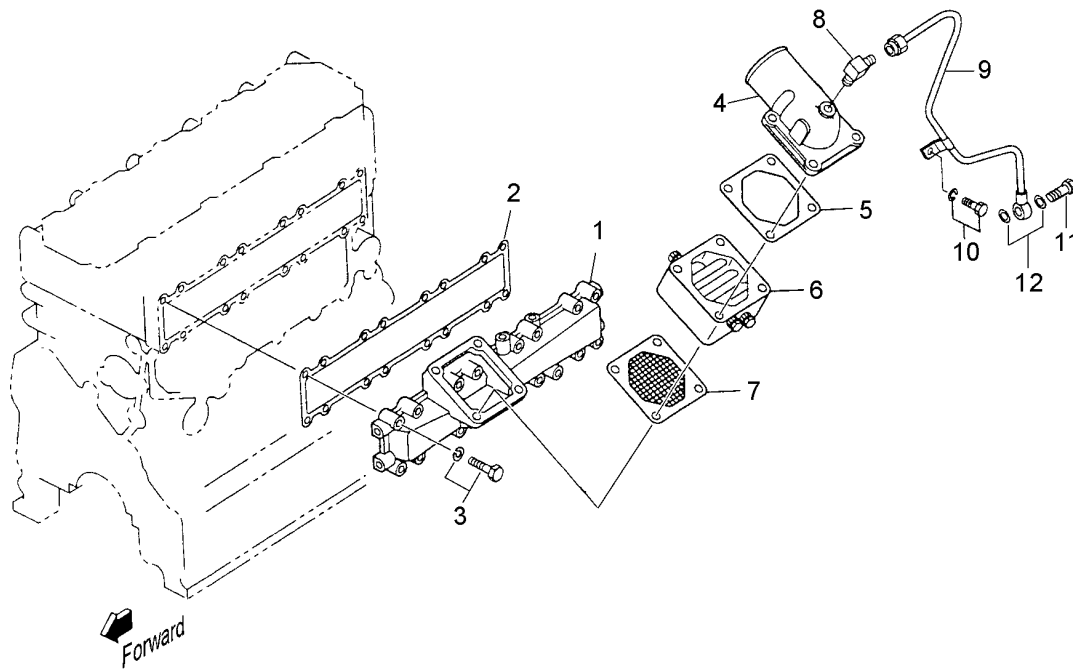
*Tube not available separately. Only used on manifold 32A3016012

**Standard Replacement Fastener (some models may have screws with captive lock washers)

***As Required

Intake Manifold & Intake Adapter

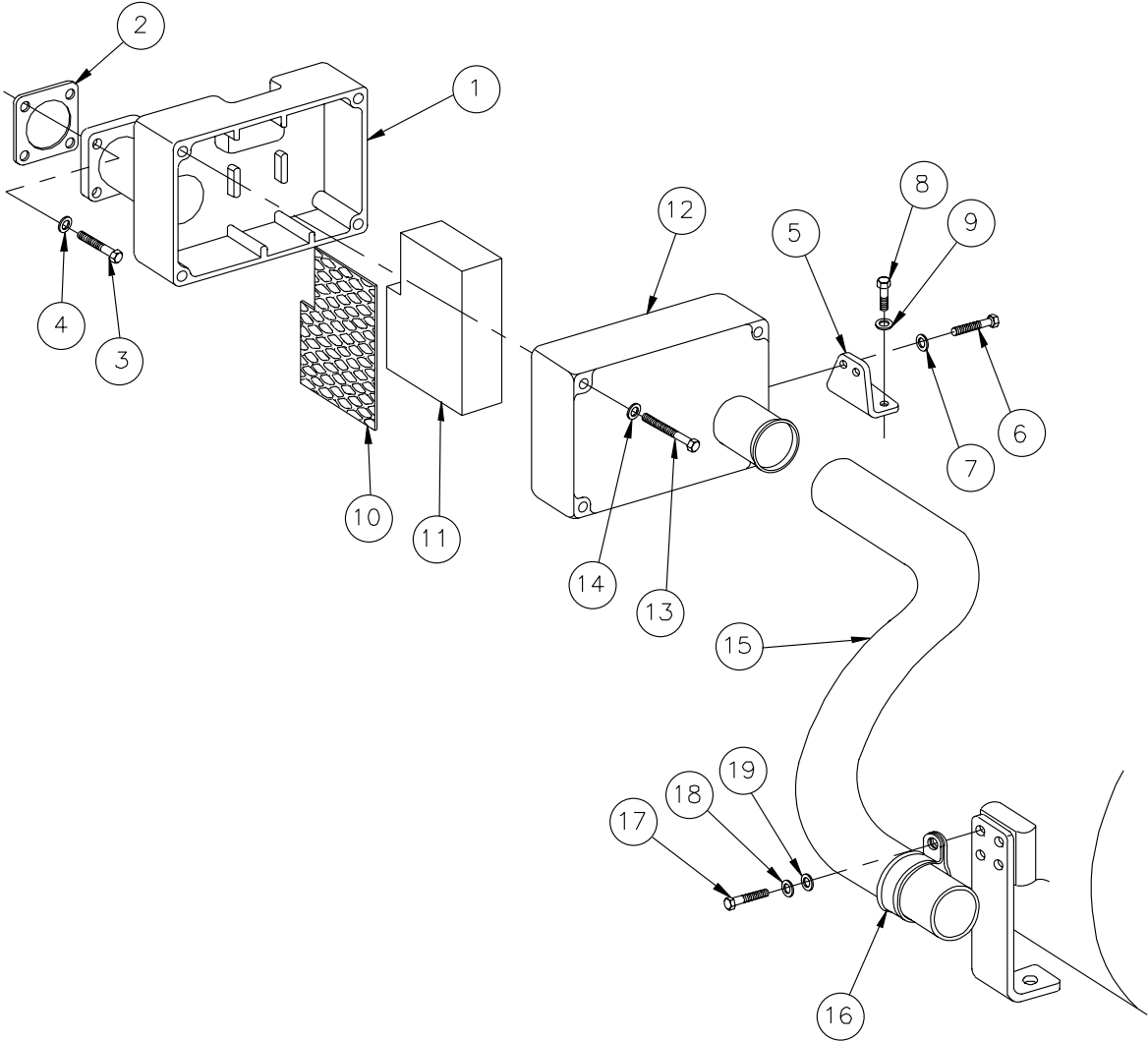
NL944T3



32B3041E

KEY	PART NUMBER	QTY	DESCRIPTION	SERIAL NUMBER
1	32A3000301	1	Intake Manifold (includes keys 2-3)	-
2	32A3000201	1	Gasket	-
3	01435-00840	16	Capscrew, Hex Head Flanged M8 x 1.25 x 40 mm	-
4	3673001503	1	Inlet Connector	-
5	3433004300	1	Gasket	-
6	32B6606100	1	Air Heater Assembly 1000 watt 12 VDC	-
7	3433004200	1	Gasket with safety grid	-
8	32A3008101	1	Elbow	-
9	32A3008200	1	Boost Line	-
10	MF240049	1	Bolt with washer	-
11	029731-00180	1	Banjo Bolt	-
12	026510-1340	2	Sealing Washer	-

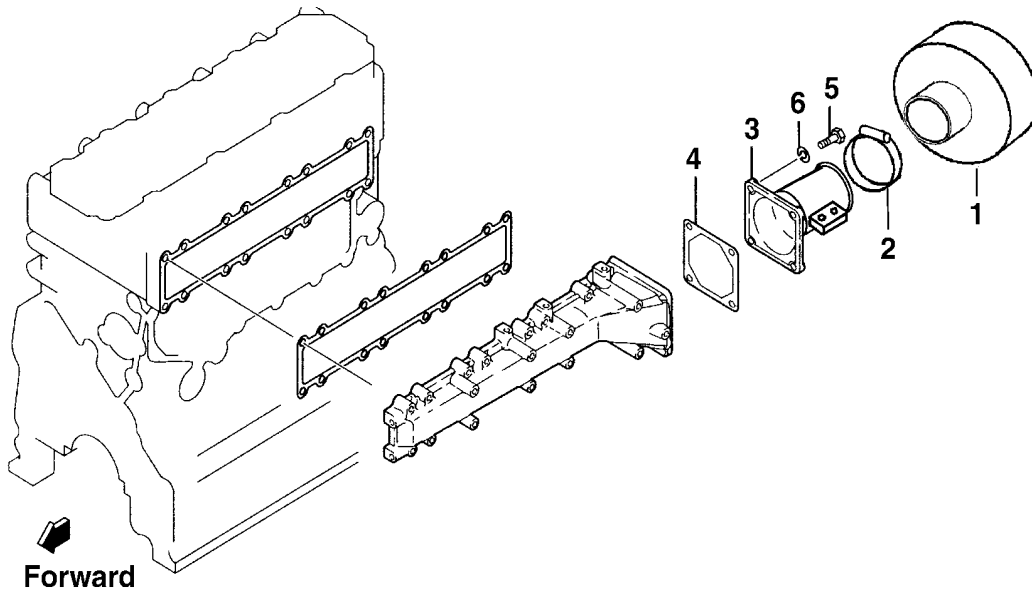
Air Filter and Mounting M944



A-11218/ B-8916

KEY	PART NUMBER	QTY	DESCRIPTION	SERIAL NUMBER
1	10-21201	1	Housing, Air Filter	-
2	3433004300	1	Gasket	-
3	12-09712	4	Capscrew, Hex Head M8 x 1.25 x 25 mm S/S	-
4	15-99707	4	Wave Washer M8 S/S	-
5	23-21201	1	Bracket	-
6	12-00776	2	Capscrew, Hex Head M8 x 1.25 x 20 mm S/S	-
7	15-99707	2	Wave Washer M8 S/S	-
8	12-00821	2	Capscrew, Hex Head M10 x 1.5 x 20 mm S/S	-
9	15-00808	2	Lock Washer, Helical M10 S/S	-
10	24-21201	1	Screen	-
11	24-21202	1	Element	-
12	10-21202	1	Cover	-
13	12-09801	4	Capscrew, Hex Head M8 x 1.25 x 70 mm S/S	-
14	15-99707	4	Wave Washer M8 S/S	-
15	18-21201	1	Hose, Air Intake	-
16	19-70040	1	Cushion Clamp #40	-
17	12-01102	1	Capscrew, Hex Head M6 x 1.0 x 16 mm S/S	-
18	15-00610	1	Lock Washer, Helical M6 S/S	-
19	15-01134	1	Flat Washer M6 S/S	-

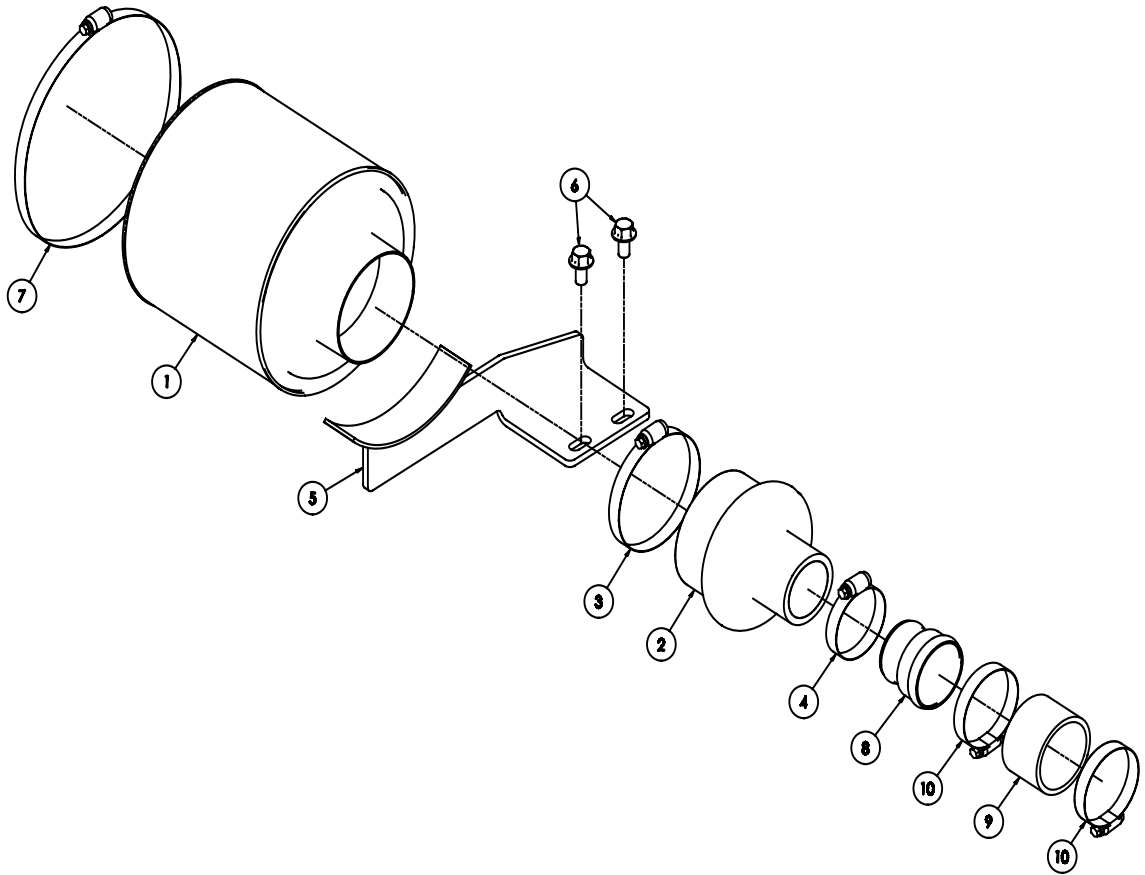
Air Filter and Connector M30CW



944airinlet

KEY	PART NUMBER	QTY	DESCRIPTION	SERIAL NUMBER
1	24-20001	1	Air Filter	-
2	19-00040	1	Hose Clamp #40	-
3	27-21201	1	Connector, Air Inlet	-
4	3433004300	1	Gasket	-
5	12-09712	1	Capscrew, Hex Head M8 x 1.25 x 25 mm S/S	-
6	15-00705	1	Lock Washer M8 S/S	-

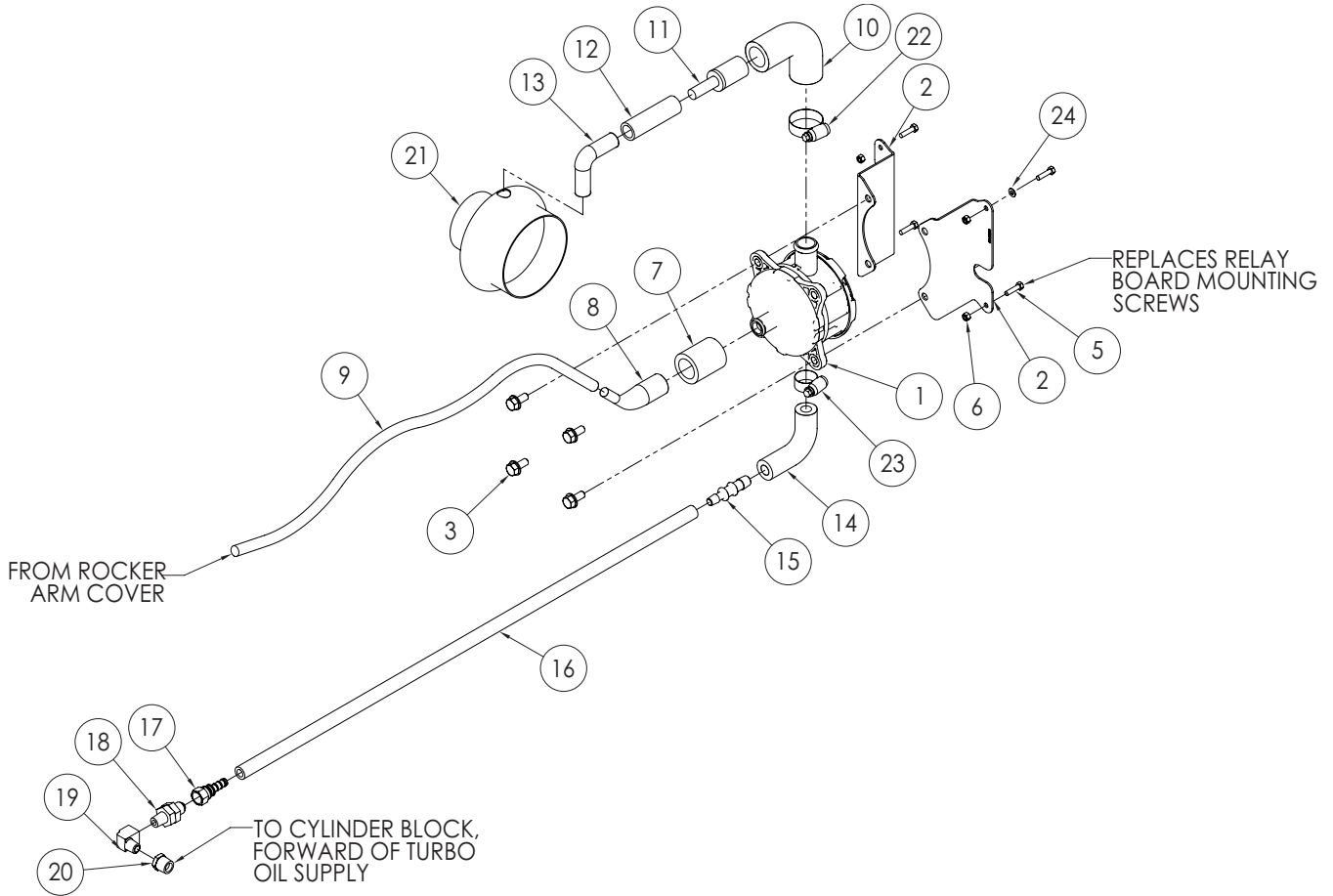
AIR FILTER AND MOUNTING M944T3 & M40C3



C-7106

KEY	PART NUMBER	QTY	DESCRIPTION	SERIAL NUMBER
1	24-21003	1	Air Filter	-
2	18-21205	1	Hump Hose	-
3	19-00072	1	Hose Clamp #72 S/S	-
4	19-00036	1	Hose Clamp #36 S/S	-
5	23-21206	1	Bracket	-
6	19M7784	2	Capscrew, Hex Head, Flanged, M10 x 1.5 x 20mm Grade 10.9	-
7	19-00128	1	Hose Clamp #128 S/S	-
8	27-21208	1	Tube	-
9	18-21211	1	Hose	-
10	19-00040	2	Clamp #40	-

Crankcase Breather Filter M944T3

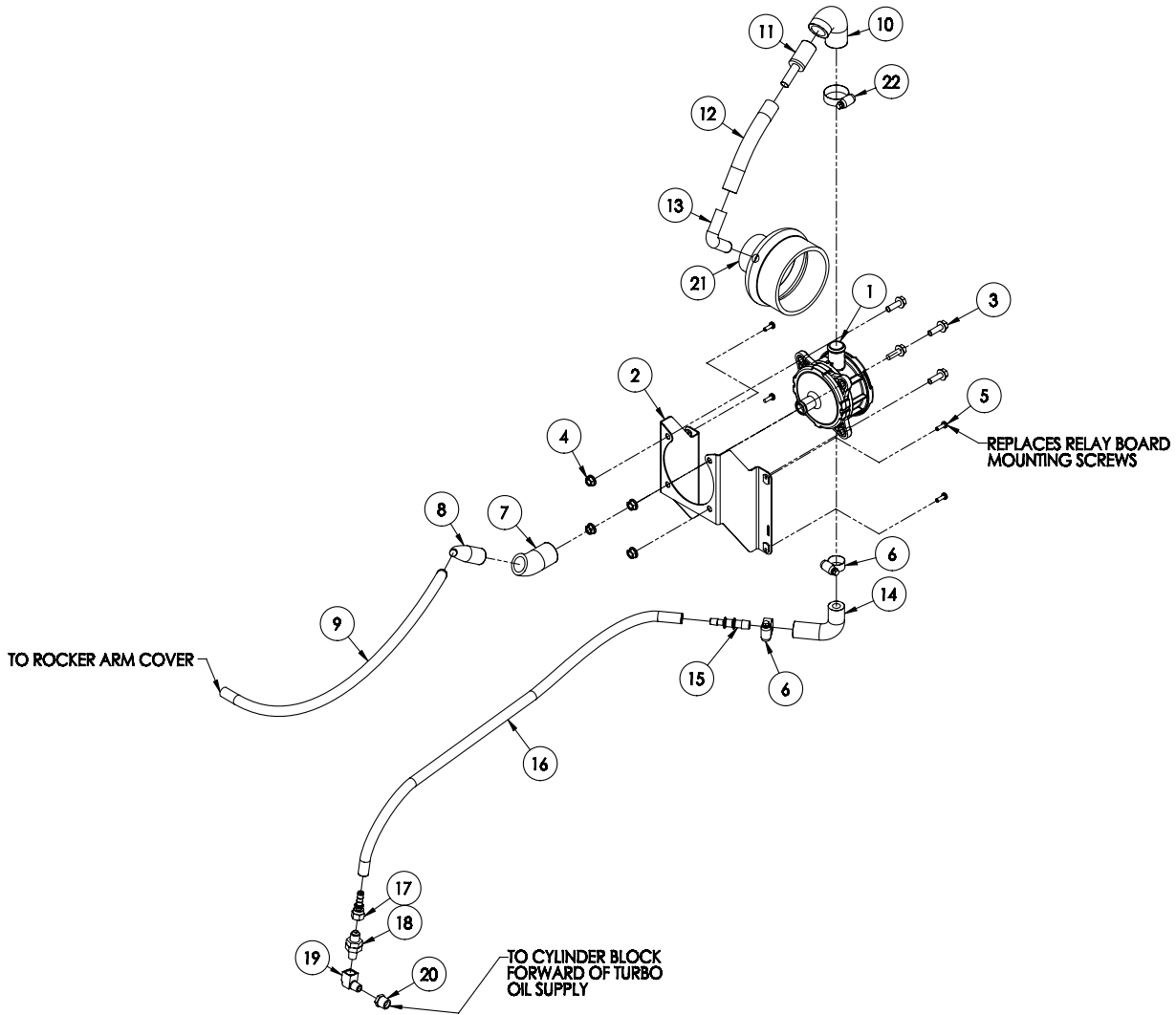


Crankcase Breather Filter M944T3

KEY	PART NUMBER	QTY	DESCRIPTION	SERIAL NUMBER
1	RE522766	1	Crankcase Breather Assembly	-
2	23-21204	2	Bracket, Crankcase Breather Filter Support	-
3	19M7867	4	Capscrew, Hex Head Flanged M8 x 1.25 x 25 mm Grade 10.9	-
5	12-92003	4	MSCR, RD HD Phillips with Washers M5 x 0.8 X 16mm	-
6	14-04401	**	Hex Nut M5 x 0.8	-
7	18-21209	1	Hose, Crankcase Breather Inlet 1" ID	-
8	21-21203	1	Elbow 45° 1" Hose Barb x 3/8" Hose Barb	-
9	18-21210	1	Hose 3/8" ID x 24"	-
10	18-21208	1	Hose, Crankcase Breather Outlet 1" ID	-
11	21-21204	1	Reducing Hose Barb Union 1" x 1/2"	-
12	18-31201	1	Hose, 5/8" ID x 3"	-
13	21-21205	1	Male Union 90, ABS 1/2 HB x 1/2 HB	-
14	145536051	1	Hose, 90 degree 1/2" ID	-
15	R519465	1	Hose Barb Reducer 1/2" x 3/8"	-
16	18-53702	1	Hose 3/8" ID x 27" Push-On	-
17	21-71034	1	Female Swivel, Brass 3/8" HB x 3/8-37T Push-On	-
18	21-20002	1	One Way Valve, Brass 1/4 NPT x 3/8-37 T	-
19	21-51098	1	Street Elbow 90°, Brass 1/4 NPT	-
20	21-51099	1	Bushing, Brs. 3/8 NPT x 1/4 NPT	-
21	18-21205	1	Hump Hose 4-1/8" ID x 2" ID x 4-1/4" LOA With 1/2" Vent Hole	-
22	19-00016	1	Hose Clamp #16 S/S	-
23	19-00008	2	Hose Clamp #8 S/S	-
24	15-00027	**	Flat Washer M5	-
			** As Required	

Crankcase Breather Filter M40C3, J-Box Mounted

(MeccAlte Gen-End)



C-7153

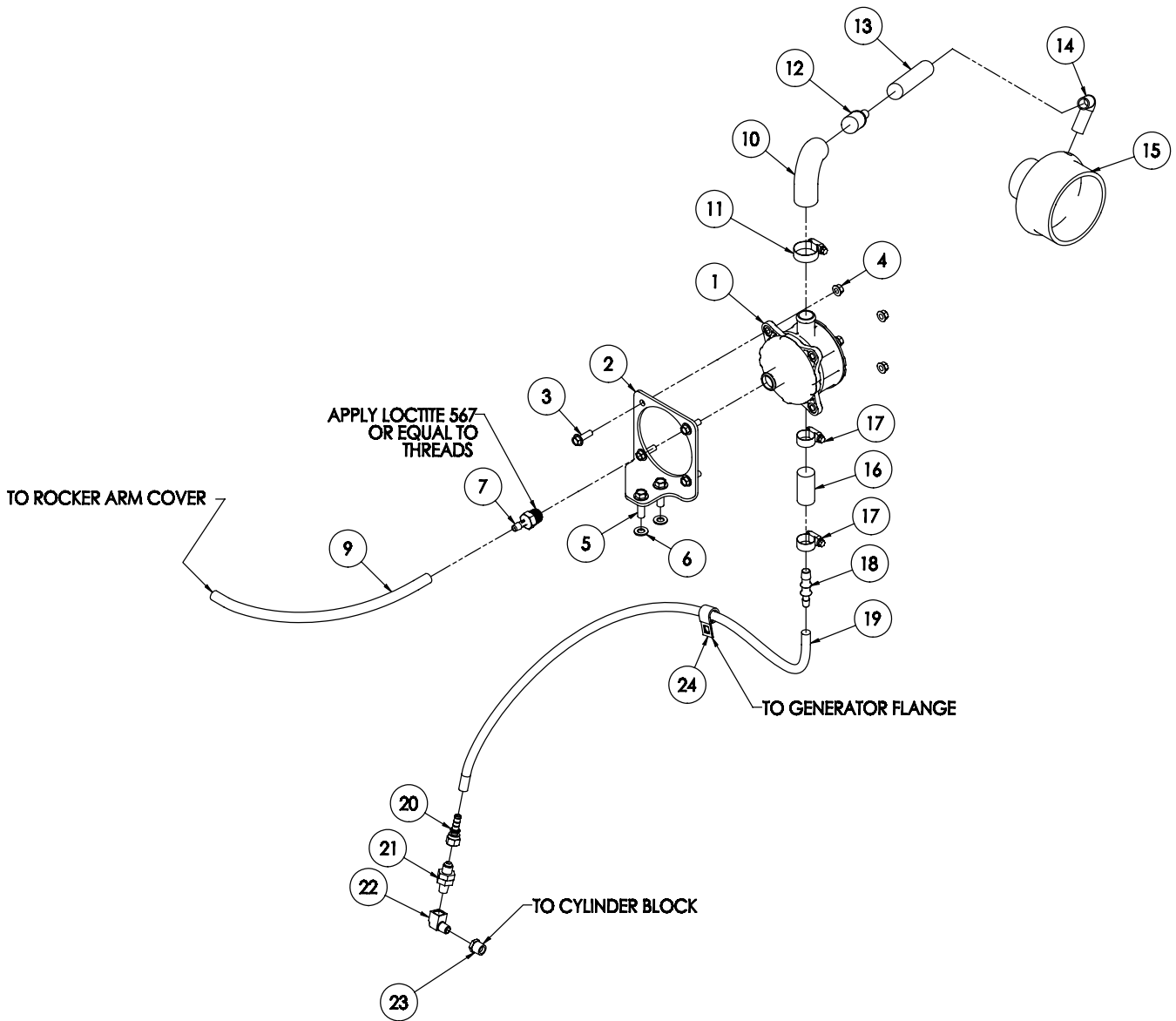
Crankcase Breather Filter M40C3, J-Box Mounted

(MeccAlte Gen-End)

KEY	PART NUMBER	QTY	DESCRIPTION	SERIAL NUMBER
1	RE522766	1	Crankcase Breather Assembly	-
2	23-21208	1	Bracket, Filter Support (Eco J-/box Mounting)	-
4	14M7298	4	Hex Nut, Flanged M8 x 1.25 Property Class 8 DIN Code 6923 (13mm Hex)	-
3	19M7867	4	Capscrew, Hex Head Flanged M8 x 1.25 x 25 mm Grade 10.9	-
5	12-92003	4	MSCR, RD HD Phillips with Washers M5 x 0.8 X 16mm	-
6	19-00008	2	Hose Clamp #8 S/S	-
7	18-21209	1	Hose, Crankcase Breather Inlet 1" ID	-
8	21-21203	1	Elbow 45° 1" Hose Barb x 3/8" Hose Barb	-
9	18-21210	1	Hose 3/8" ID x 24"	-
10	18-21208	30	Hose, Crankcase Breather Outlet 1" ID	-
11	21-21204	1	Reducing Union PVC 1" x 1/2"	-
12	18-31201	4	Hose, 5/8" ID x 3"	-
13	21-21205	1	Male Union 90, ABS 1/2 HB x 1/2 Hose Barb x 1/2" Hose Barb	-
14	145536051	1	Hose, 90 degree ABS 1/2 Hose Barb	-
15	R519465	1	Hose Barb Reducer 1/2" x 3/8"	-
16	18-53702	1	Hose 3/8" ID x 27" Push-On	-
17	21-71034	1	Female Swivel, Brass 3/8" HB x 3/8-37T Push-On	-
18	21-20002	1	One Way Valve, Brass 1/4 NPT x 3/8-37 T	-
19	21-51098	1	Street Elbow 90°, Brass 1/4 NPT	-
20	21-51099	1	Bushing, Brs. 3/8 NPT x 1/4 NPT	-
21	18-21205	1	Hump Hose 4-1/8" ID x 2" ID x 4-1/4" LOA With 1/2" Vent Hole	-
22	19-00016	1	Hose Clamp #16 S/S	-

Crankcase Breather Filter

(MeccAlte & Stamford Generators, Installed Above Fuel Filter)



C-7225a

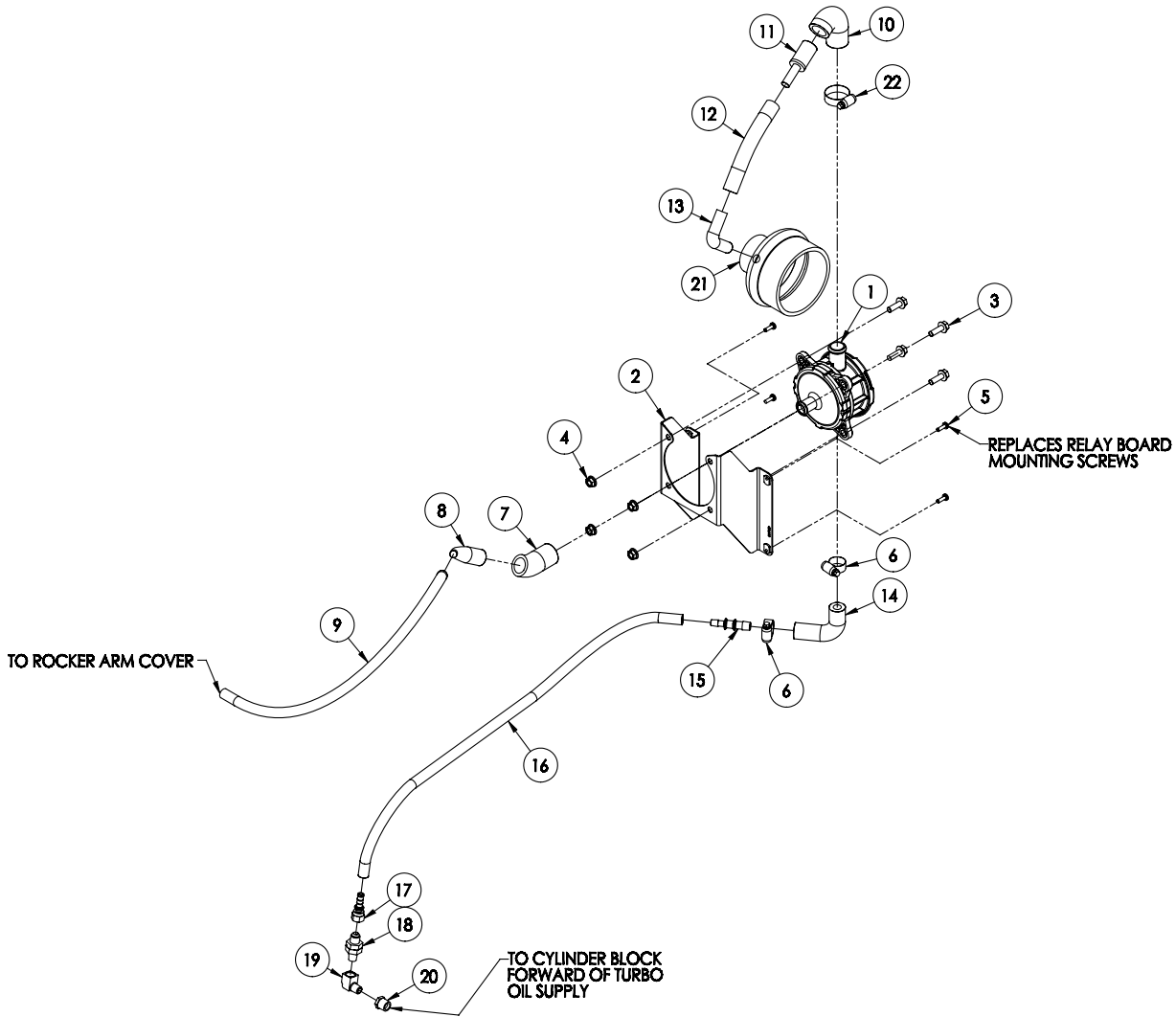
Crankcase Breather Filter

(MeccAlte & Stamford Generators, Installed Above Fuel Filter)

KEY	PART NUMBER	QTY	DESCRIPTION	SERIAL NUMBER
1	24-21223	1	Crankcase Breather Assembly	-
2	23-21212	1	Bracket	-
3	1435-00825	4	Capscrew, Hex Head Flanged M8 x 1.25 x 25 mm Grade 10.9	-
4	1584-00806	4	Hex Nut, Flanged M8 x 1.25	-
5	01435-01035	2	Capscrew, Hex Head, Flanged M8 x .25 x 25mm Grade 10.9	-
6	15-99804	2	Wave Washer M10 S/S	-
7	21-29508	1	Male Connector Nylon 1/2 NPT x 3/8 HB (Black)	-
9	41-01019	15"	Hose 3/8" ID	-
10	18-21208	1	Hose, Crankcase Breather Outlet 1" ID	-
11	19-00016	1	Hose Clamp #16 S/S	-
12	21-21204	1	Reducing Hose Union PVC 1" HB x 1/2" HB	-
13	41-01011	6.5"	Hose 1/4" ID	-
14	21-21205	1	Hose Union 90, PVC 1/2" HB x 1/2" HB	-
15	18-21205	1	Hump Hose 4-1/8" ID x 2" IS x 4-1/4" LOA with 1/2" ID Vent Hole	-
16	41-01032	2	Hose 1/2" ID	-
17	19-00008	2	Hose Clamp #8 S/S	-
18	R519465	1	Reducing Hose Union, Nylon 1/2" x 3/8"	-
19	41-01020	33"	Hose 3/8" ID	-
20	21-71034	1	Female Swivel, Brass 3/8" HB x 3/8-37 T Push-On	-
21	21-20002	1	One Way Valve, Brass 1/4" NPT x 3/8-37T	-
22	21-51098	1	Street Elbow, 90, Brass 1/4 NPT	-
23	21-51099	1	Bushing, Brass 3/8" NPT x 1/4" NPT	-
24	19-72254	1	Adelle Clamp 5/8" ID x 38" Stud	-

Crankcase Breather Filter M40C3

(Stamford UCI224 Gen-End)



C-7153

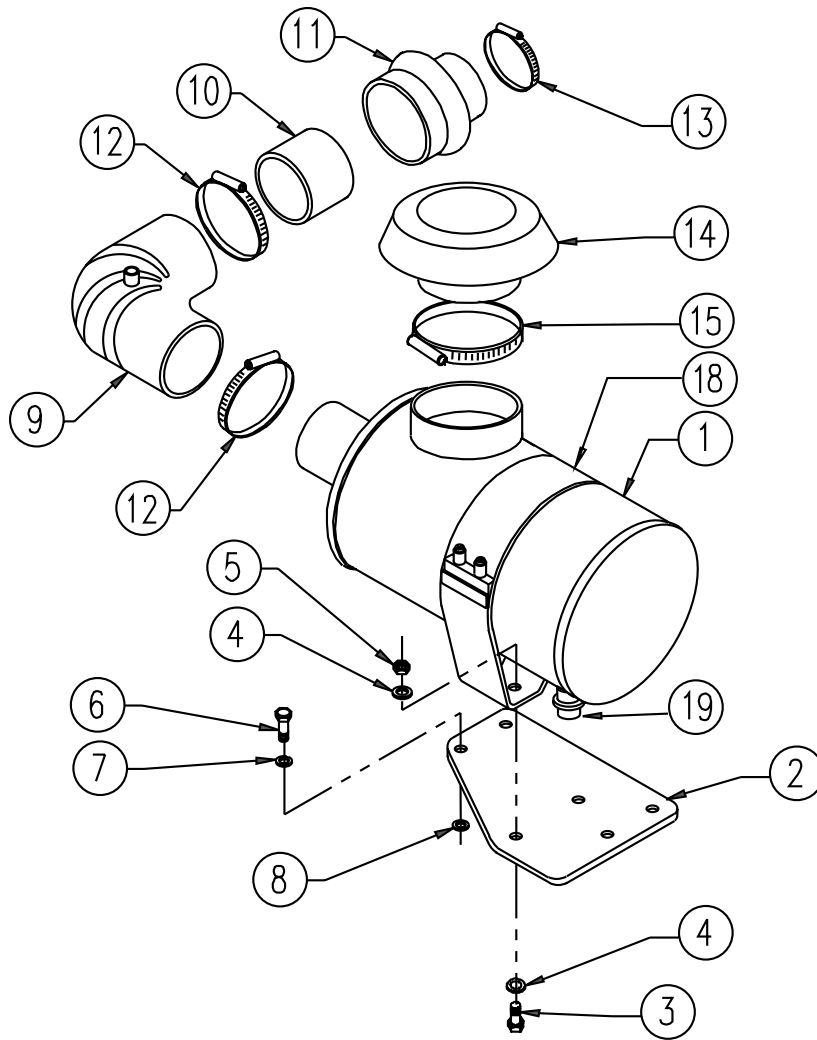
Crankcase Breather Filter M40C3

(Stamford UCI224 Gen-End)

KEY	PART NUMBER	QTY	DESCRIPTION	SERIAL NUMBER
1	RE522766	1	Crankcase Breather Assembly	-
2	23-21209	1	Bracket, Filter Support (Eco J-/box Mounting)	-
3	19M7867	4	Capscrew, Hex Head Flanged M8 x 1.25 x 25 mm Grade 10.9	-
4	14M7298	4	Hex Nut, Flanged M8 x 1.25 Property Class 8 DIN Code 6923 (13mm Hex)	-
5	12-92003	4	MSCR, RD HD Phillips with Washers M5 x 0.8 X 16mm	-
6	19-00008	2	Hose Clamp #8 S/S	-
7	18-21209	1	Hose, Crankcase Breather Inlet 1" ID	-
8	21-21203	1	Elbow 45° 1" Hose Barb x 3/8" Hose Barb	-
9	18-21210	1	Hose 3/8" ID x 24"	-
10	18-21208	1	Hose, Crankcase Breather Outlet 1" ID	-
11	21-21204	1	Reducing Union PVC 1" x 1/2"	-
12	18-31201	4	Hose, 5/8" ID x 3"	-
13	21-21205	1	Male Union 90, ABS 1/2 HB x 1/2 Hose Barb x 1/2" Hose Barb	-
14	145536051	1	Hose, 90 degree ABS 1/2 Hose Barb	-
15	R519465	1	Hose Barb Reducer 1/2" x 3/8"	-
16	18-53702	1	Hose 3/8" ID x 27" Push-On	-
17	21-71034	1	Female Swivel, Brass 3/8" HB x 3/8-37T Push-On	-
18	21-20002	1	One Way Valve, Brass 1/4 NPT x 3/8-37 T	-
19	21-51098	1	Street Elbow 90°, Brass 1/4 NPT	-
20	21-51099	1	Bushing, Brs. 3/8 NPT x 1/4 NPT	-
21	18-21205	1	Hump Hose 4-1/8" ID x 2" ID x 4-1/4" LOA With 1/2" Vent Hole	-
22	19-00016	1	Hose Clamp #16 S/S	-

GROUP 2 – INTAKE & EXHAUST SYSTEM

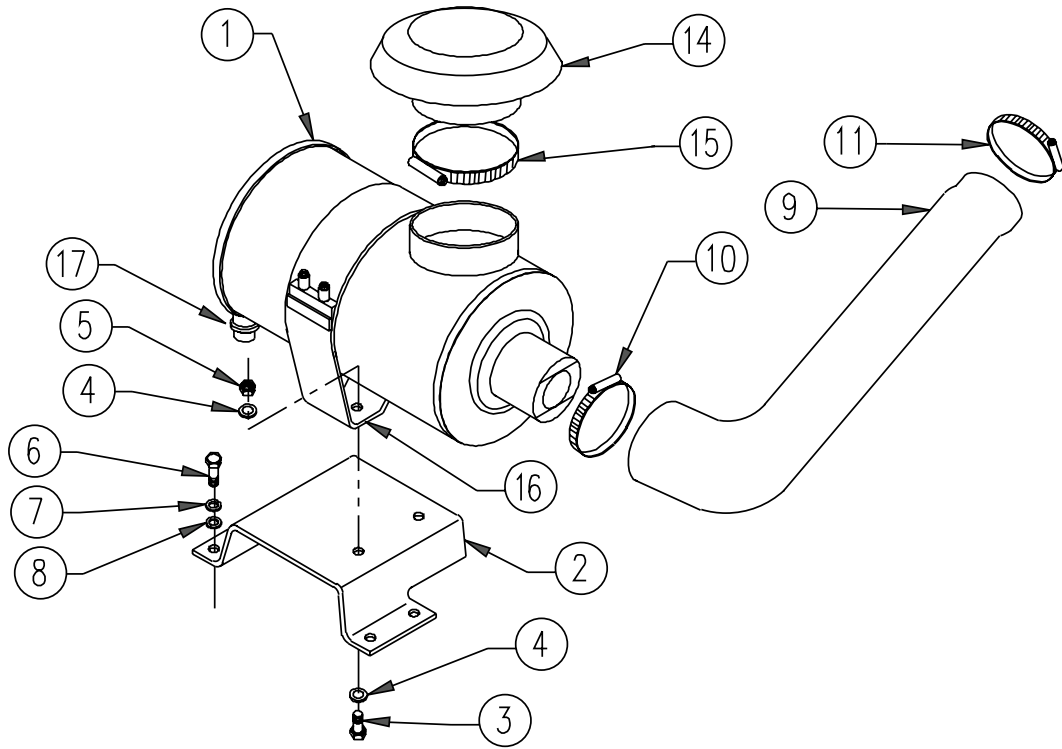
Air Cleaner and Mounting NL944D3



B-9566

KEY	PART NUMBER	QTY	DESCRIPTION	SERIAL NUMBER
1	24-21206	1	Air Cleaner Assembly (includes key #16 & 18-18)	-
2	23-21203	1	Bracket	-
3	12-00712	2	Capscrew, Hex Head M8 x 1.25 x 25 mm	-
4	15-00701	4	Flat Washer, M8	-
5	14-04802	2	Hex Nut, Nylock M8 x 1.25	-
6	12-00831	4	Capscrew, Hex Head M10 x 1.5 x 25 mm	-
7	15-00804	4	Wave Washer, Helical M10	-
8	15-00807	4	Stud Washer, M10	-
9	18-21206	1	Hose, 90° Rubber Elbow, 3" ID	-
10	31-25702	1	Tube 3" OD x 2-1/2"	-
11	18-21207	1	Hump Hose, 3" ID x 2-3/8" ID x 3-1/2" LOA	-
12	19-00040	3	Hose Clamp, #40	-
13	19-00032	1	Hose Clamp, #32	-
14	24-21208	1	Rain Cap	-
15	19-01048	1	Hose Clamp, #48	-
16	24-21203	1	Air Filter Element - Primary (not shown)	-
17	24-21204	1	Air Filter Element - Safety (not shown, optional)	-
18	23-21213	1	Mounting Clamp	-
19	24-21224	1	Condensate Valve	-

Air Cleaner and Mounting NL944T3



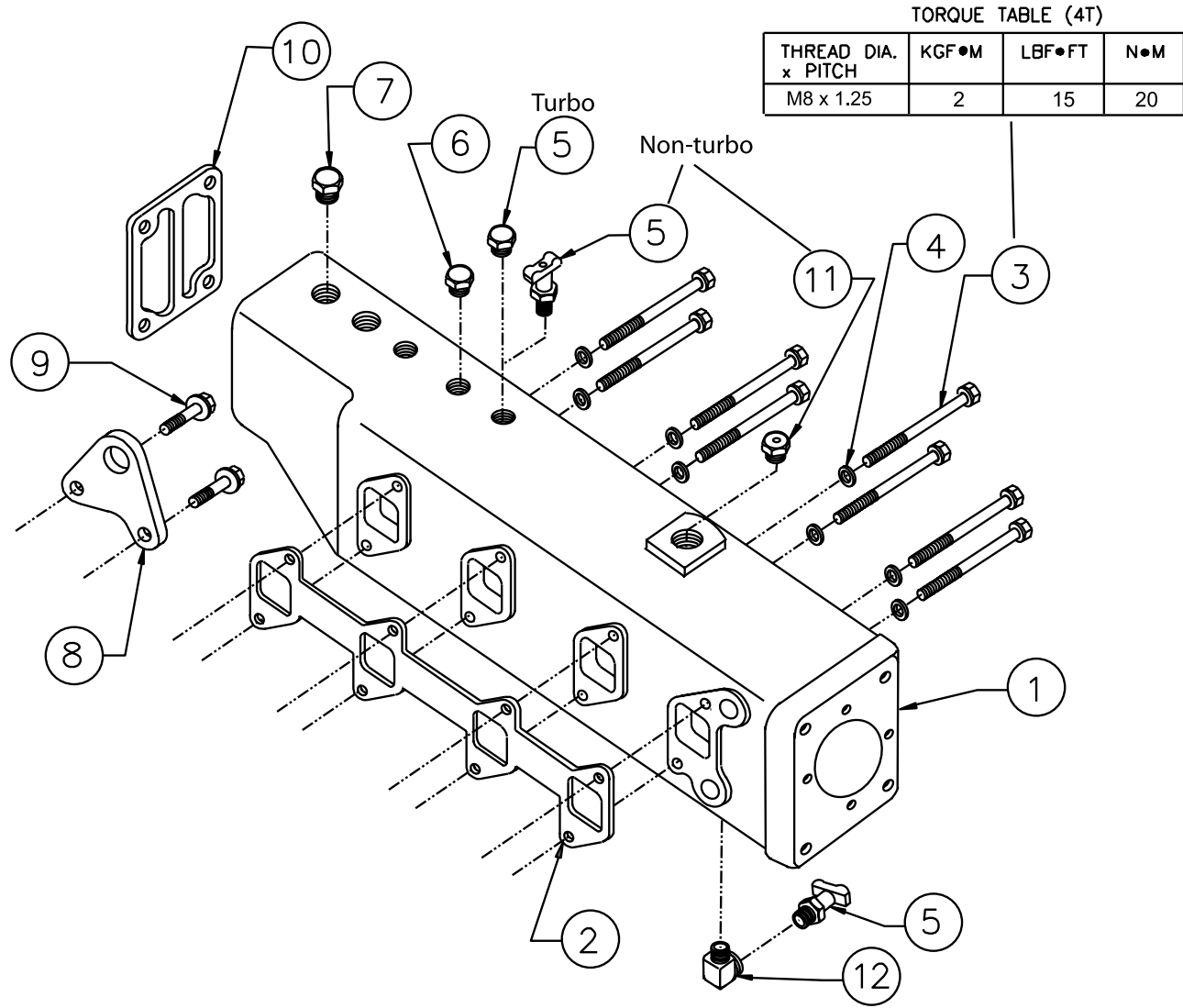
B-9469

KEY	PART NUMBER	QTY	DESCRIPTION	SERIAL NUMBER
1	24-21207	1	Air Cleaner Assembly (includes keys #12-13 & 16-17)	-
2	D030052	1	Bracket	-
3	12-00712	2	Capscrew, Hex Head M8 x 1.25 x 25 mm	-
4	15-00701	4	Flat Washer, M8	-
5	14-04802	2	Hex Nut, Nylock M8 x 1.25	-
6	12-00831	4	Capscrew, Hex Head M10 x 1.5 x 25 mm	-
7	15-00802	4	Lock Washer, Helical M10	-
8	15-00805	4	Flat Washer, M10	-
9	32A3004400	1	Hose	-
10	19-00040	1	Hose Clamp, #40	-
11	19-00052	1	Hose Clamp, #52	-
12	24-21203	1	Air Filter Element - Primary (not shown)	-
13	24-21204	1	Air Filter Element - Safety (not shown)	-
14	24-21208	1	Rain Cap	-
15	19-00044	1	Clamp, #44	-
16	23-21213	1	Mounting Clamp	-
17	24-21224	1	Condensate Valve	-

GROUP 2 – INTAKE & EXHAUST SYSTEM

Exhaust Manifold

M944 all



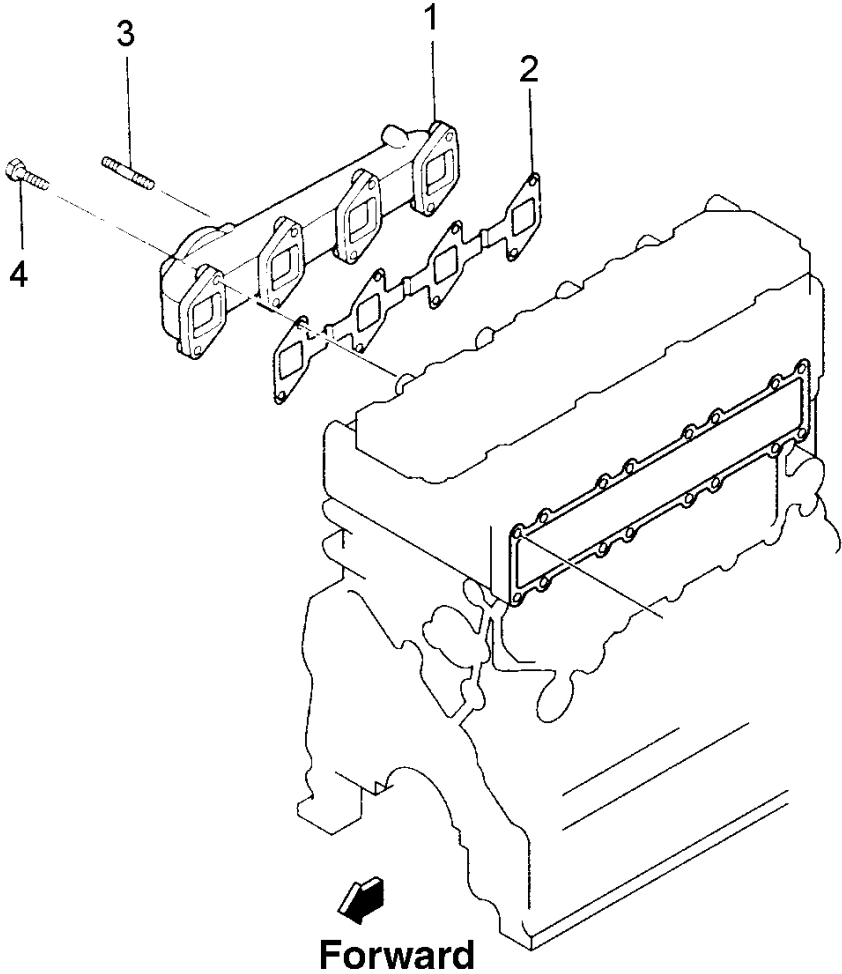
TORQUE TABLE (4T)

THREAD DIA. x PITCH	KGf•M	LBF•FT	N•M
M8 x 1.25	2	15	20

A-11219/ B-8957

KEY	PART NUMBER	QTY	DESCRIPTION	SERIAL NUMBER
1	10-31203	1	Exhaust Manifold (formerly #10-31201 & 10-31202)	-
2	32A3200200	1	Gasket, Exhaust Manifold Mounting	-
3	12-09723	8	Capscrew, Hex Head M8 x 1.25 x 115 mm S/S (formerly socket head)	-
4	15-00706	8	Flat Washer M8 S/S	-
5	21-10002	**	Drain Cock, Brass 1/4 NPT	-
	21-10021	**	Drain Cock, Brass 3/8 NPT	-
	21-31624	**	Plug, Hex Head Brass 1/4 NPT	-
6	21-31003	2	Plug, Hex Head Brass 3/8 NPT	-
7	21-00530	2	Plug, Hex Head Brass 1/2 NPT	-
8	00-71201	1	Lifting Eye, Front	-
9	12-89751	2	Capscrew, Hex Head Flanged M8 x 1.25 x 16 mm S/S	-
10	11-11202	**	Gasket	-
11	21-09507	**	Plug, Socket Head	-
12	21-51098	1	Street Elbow, Brass 1/4 NPT	-
			**As required	

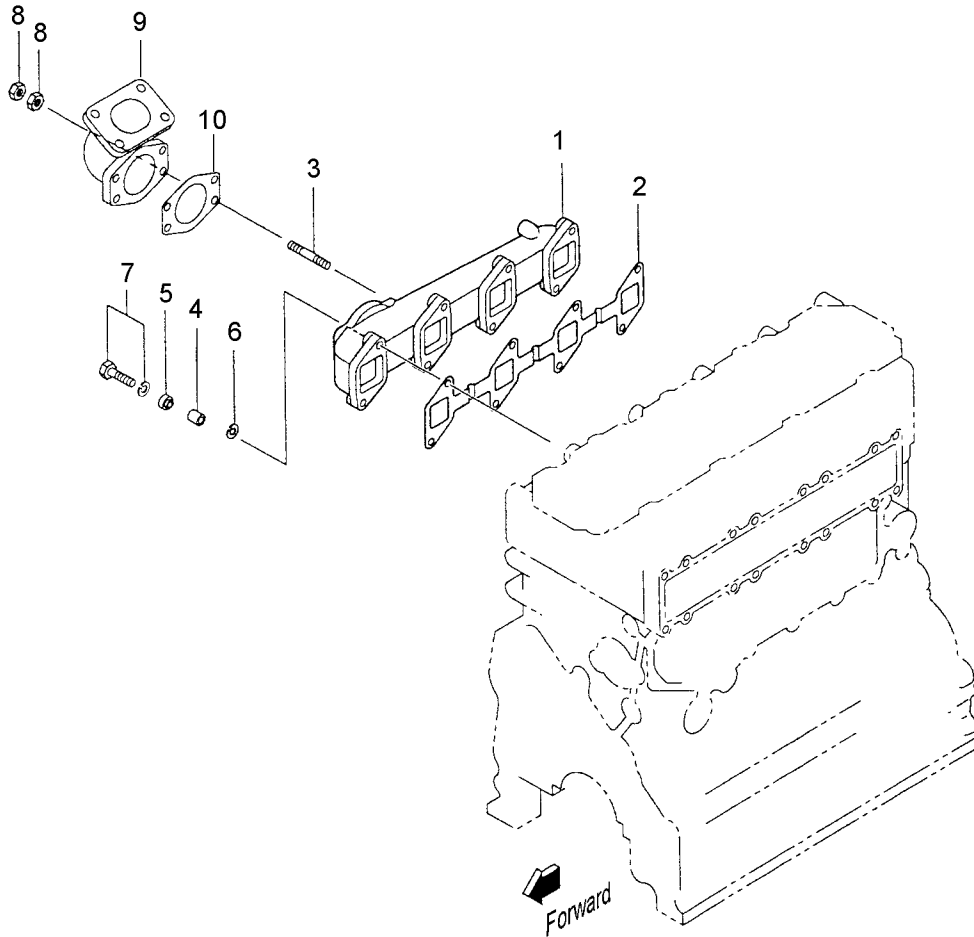
Exhaust Manifold NL944D3



944exhmanifold

KEY	PART NUMBER	QTY	DESCRIPTION	SERIAL NUMBER
1	32A3200600	1	Exhaust Manifold	-
2	32A3200200	1	Gasket	-
3	3423208300	4	Stud	-
4	F103508020	8	Bolt	-

Exhaust Manifold & Exhaust Elbow NL944T3

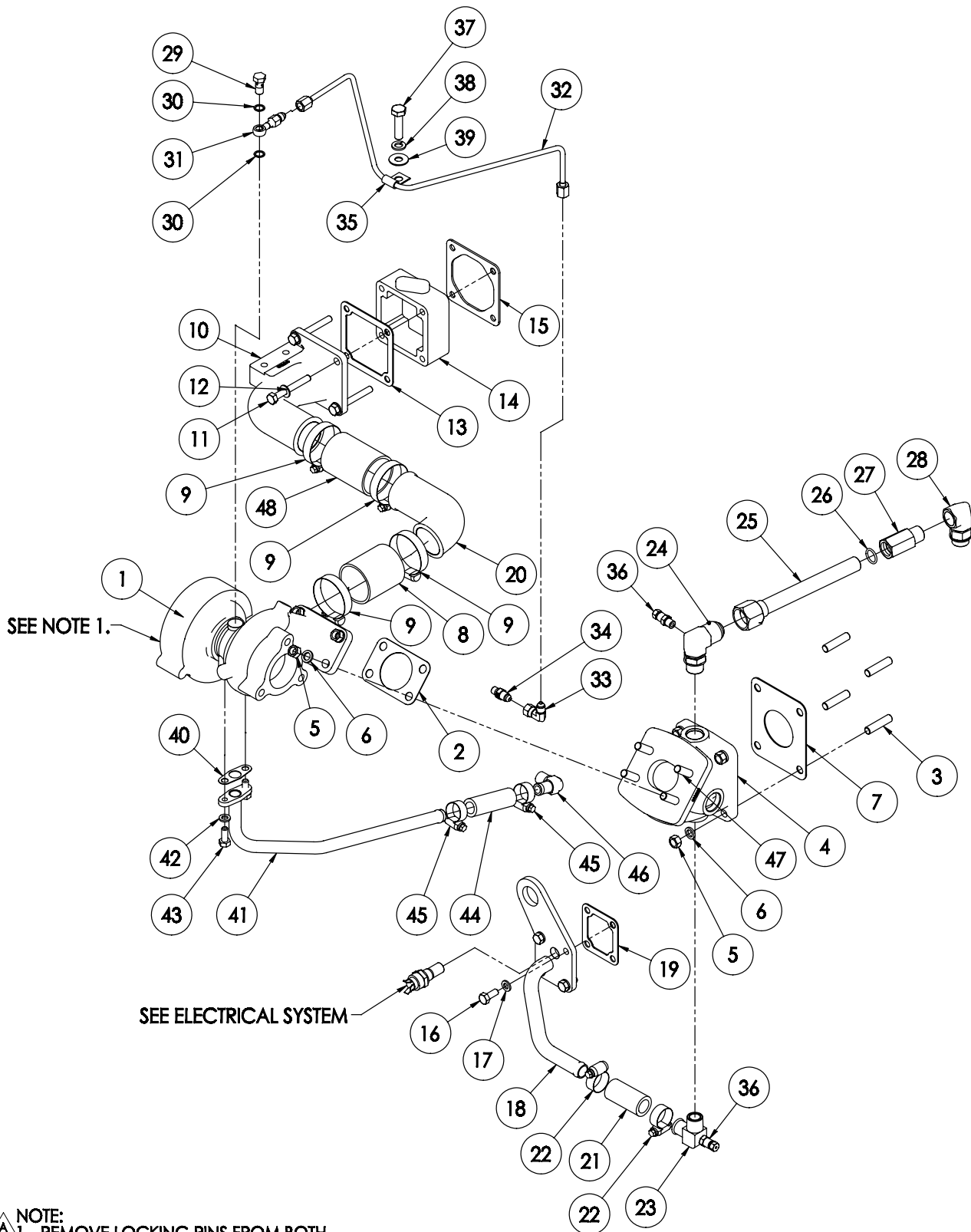


32B3214E

KEY	PART NUMBER	QTY	DESCRIPTION	SERIAL NUMBER
1	32A3221100	1	Exhaust Manifold	-
2	32A3200200	1	Gasket	-
3	3423208200	4	Stud	-
4	32B3200901	8	Spacer	-
5	3433231301	8	Washer	-
6	F251508000	8	Wave Washer	-
7	MF241263	8	Bolt with Washer	-
8	F230008000	8	Lock Nut	-
9	32A3211300	1	Exhaust Elbow	-
10	32A3201400	1	Gasket	-

GROUP 2 – INTAKE & EXHAUST SYSTEM

Turbocharger M944T3 & M40C3



NOTE:
 1. REMOVE LOCKING PINS FROM BOTH TURBOCHARGER HOUSINGS, REASSEMBLE AND ROTATE HOUSINGS AND CENTER SECTION AS NECESSARY TO INSTALL.

C-7109

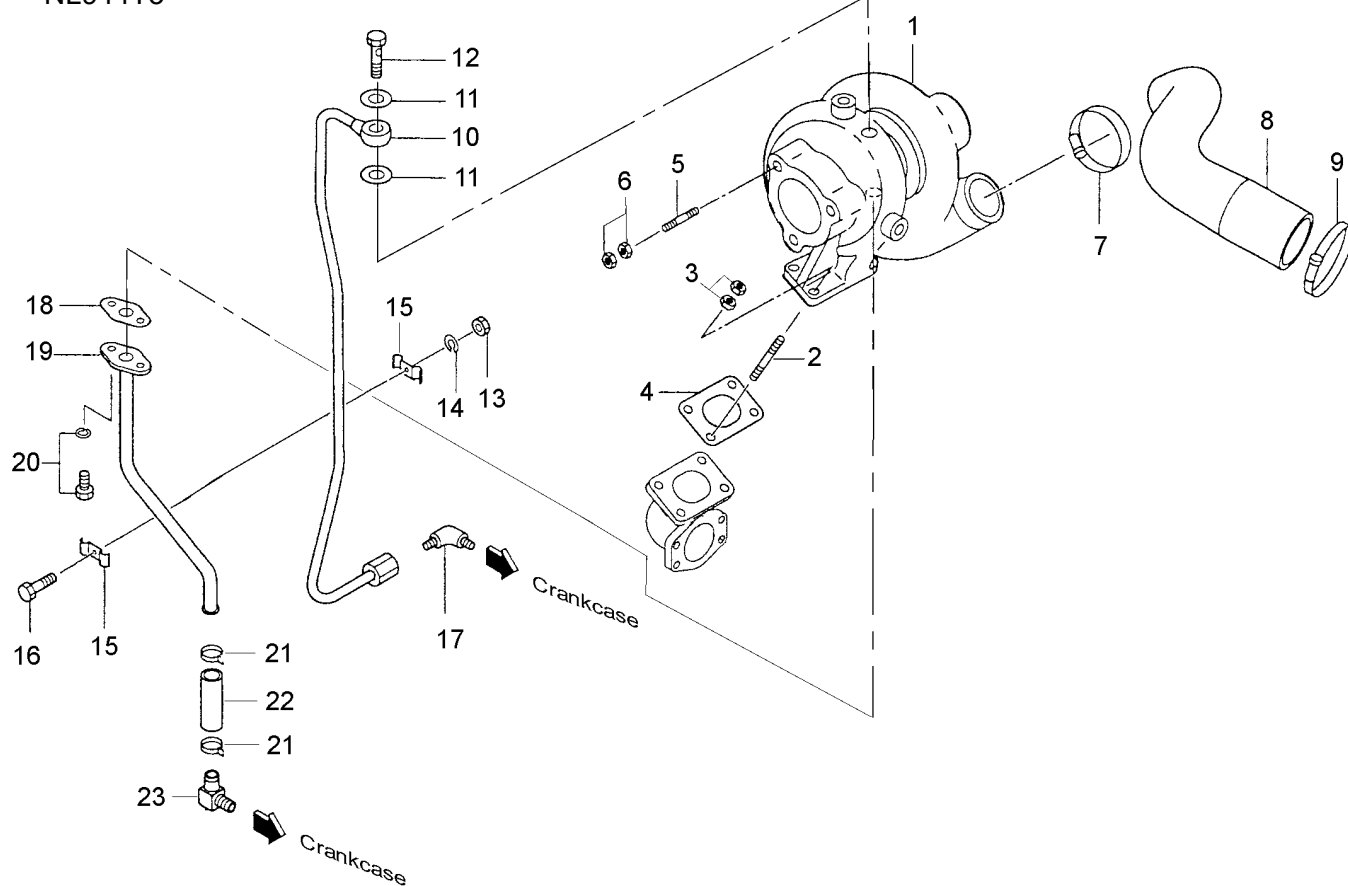
Turbocharger M944T3 & M40C3

KEY	PART NUMBER	QTY	DESCRIPTION	SERIAL NUMBER
1	30-01201	1	Turbocharger * (Mitsubishi TD0414 - Modified)	-
2	3423200300	1	Gasket	-
3	13-05001	4	Stud, M10 x 1.5 x 25 mm (37 mm LOA) Grade 8.8	-
4	31-31208	1	Wet Adapter, Turbo Mtg	-
5	14-00810	8	Hex Nut, M10 x 1.5 (14mm Hex)	-
6	15-00300	8	Flat Washer M10	-
7	11-31201	1	Gasket	-
8	18-21614	1	Hose, 2" I.D. x 2-1/2" 4 Ply Silicone	-
9	19-01028	2	Hose Clamp #28 Extended Band S/S	-
10	27-01202	1	Air Intake Tube & Fuel Filter Mtg.	-
11	12-00718	4	Capscrew, Hex Head M8 x 1.25 x 65 mm	-
12	15-00701	4	Flat Washer M8	-
13	3433004300	1	Gasket, Air Inlet	-
14	32B6606100	1	Intake Air Heater 1000w 12 VDC Std Ground	-
15	3433004200	1	Gasket/ Screen, Intake Heater Mounting	-
16	12-00711	4	Capscrew, Hex Head M8 x 1.25 x 20 mm	-
17	15-00702	4	Lock Washer, Helical M8	-
18	27-11201	1	Tube, Wet Turbo Adapter Coolant Supply	-
19	11-11204	1	Gasket	-
20	27-21207	1	Tube, Air Intake	-
21	18-00753	1	Hose, 3/4" I.D. x 2-1/4" 3 Ply Silicone	-
22	19-01012	2	Hose Clamp, #12 Extended Band S/S	-
23	21-11202	1	Male Elbow, 90° Brass 1/2 NPT x 3/4 HB Tapped 1/8 NPT	-
24	21-35003	1	Male Elbow, 90° Steel 5/8 O-ring port x 3/4-37T Tapped 1/8 NPT	-
25	27-11202	1	Tube Assembly, Turbo Coolant Return	-
26	16-01000	1	O-ring, 3/4: ID x 3/32" Nitrile	-
27	R41285	1	Adapter, O-ring Seal x 1/2 NPT	-
28	21-03459	1	Female Elbow, 90° Steel 5/8, O-ring port (7/8 x 37Y) x 1/2 NPT	-
29	3043653501	1	Banjo Bolt M10	-
30	131426180	2	Sealing Washer, Copper M10	-
31	21-59532	1	Banjo Ftg, Steel 10mm ID x 1/4 - 37T	-
32	27-31248	1	Tube Assembly, Turbo Oil Supply	-
33	21-52214	1	Elbow, 90° Swivel, Steel 1/4-37 T	-
34	21-52222	1	Male Connector, Steel 1/8 BSPT x 1/4-37T	-
35	19-72251	1	Adelle Clamp 1/4" I.D. x 3/8" Stud	-
36	21-10001	2	Drain Cock, Brass 1/8 NPT	-
37	12-00821	1	Capscrew, Hex Head M10 x 1.5 x 20 mm S/S	-
38	15-00808	1	Lock Washer, Helical M10 S/S	-
39	15-70006	1	Snubbing Washer S/S .395" ID x 1" OD x .060"	-
40	11-31012	1	Gasket, Turbo Oil Return	-
41	27-31249	1	Tube, Turbo Oil Return	-
42	15-01132	2	Lock Washer, Helical M6	-
43	12-00030	2	Capscrew, Hex Head M6 x 1.0 x 16 mm	-
44	18-31201	1	Hose 5/8" ID x 3" Push-Pn	-
45	19-01010	2	Hose Clamp #10 Extended Band S/S	-
46	3440712601	1	Male Elbow 90° Steel 3/8 BSPT x 5/8 Hose Barb	-
47	13-05001	4	Stud, M10 x 1.5 x 25 mm (37 mm LOA) Grade 8.8	-
48	18-21017	1	Hose 2" ID x 3" 4-Ply Silicone	-
49	00-31203	1	Insulation Blanket TD0414 Turbo (not shown) M944T3	-
	00-31204	1	Insulation Blanket TD0414 Turbo (not shown) M40C3	-

GROUP 2 – INTAKE & EXHAUST SYSTEM

Turbocharger

NL944T3

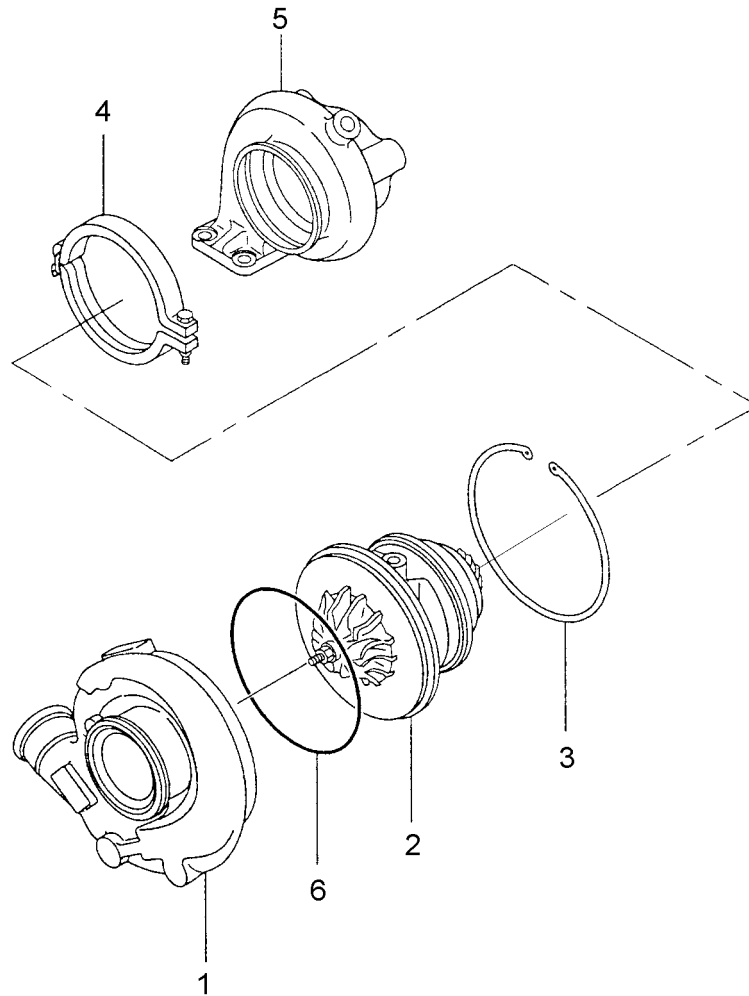


32B3310D

KEY	PART NUMBER	QTY	DESCRIPTION	SERIAL NUMBER
1	4917704210	1	Turbocharger (see parts detail)	-
2	MF407008	4	Stud	-
3	3233200801	8	Lock Nut	-
4	3423200300	1	Gasket	-
5	0597710030	3	Stud	-
6	3233200801	6	Lock Nut	-
7	0531750701	1	Hose Clamp	-
8	32A3003800	1	Air Hose	-
9	0531750801	1	Hose Clamp	-
10	32A3604300	1	Oil Line	-
11	131426180	2	Sealing Washer, Copper M10	-
12	3043653501	1	Banjo Bolt	-
13	F230006000	1	Lock Nut	-
14	F251506000	1	Wave Washer	-
15	3043652900	2	Clamp	-
16	F103506020	1	Bolt	-
17	F465606000	1	Elbow	-
18	11-31012	1	Gasket	-
19	32A3604200	1	Oil Drain Line	-
20	MF241225	2	Bolt with Washer	-
21	F430002500	2	Hose Clamp	-
22	3433301401	1	Hose	-
23	3440712601	1	Elbow	-

Turbocharger Assembly

*



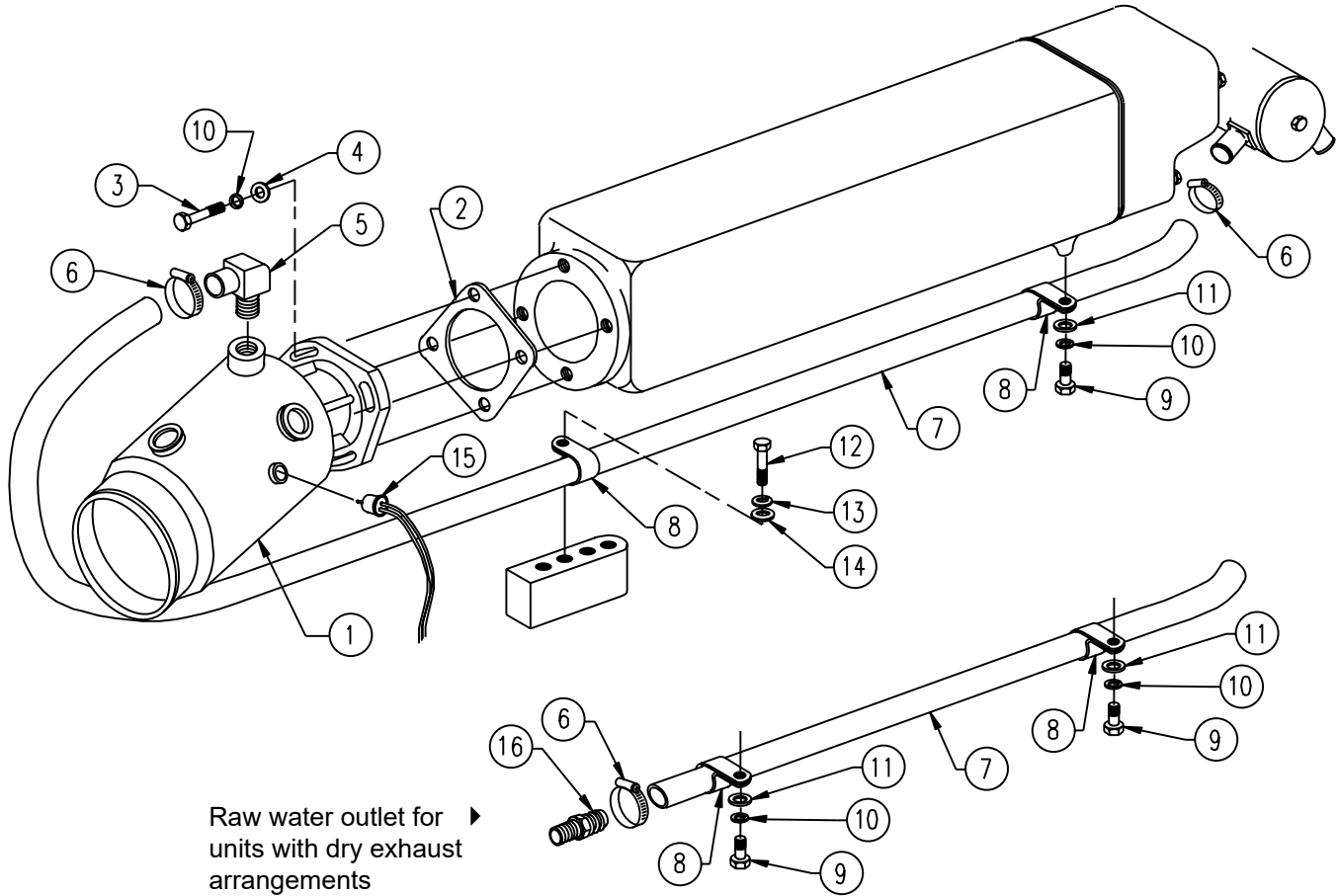
32B3311A

KEY	PART NUMBER	QTY	DESCRIPTION	SERIAL NUMBER
••	4917704210	1	Turbocharger Assembly (includes all keys) TD04L4 - NL944T3	-
••	30-01201	1	Turbocharger Assembly (includes all keys) M8944T3 & M40C3 Orientation of compressor cover & turbine housing differ between Industrial and Marine models	-
1	4947756810	1	Compressor Cover	-
2	4917708590	1	Cartridge Assembly	-
3	4916023100	1	Snap Ring	-
4	4918314001	1	Clamp Assembly with fasteners *	-
5	4947716800	1	Turbine housing assembly	-
6	4917122100	1	O-Ring	-
			* Replacement fasteners not available separately	

GROUP 2 – INTAKE & EXHAUST SYSTEM

Wet Exhaust Elbow

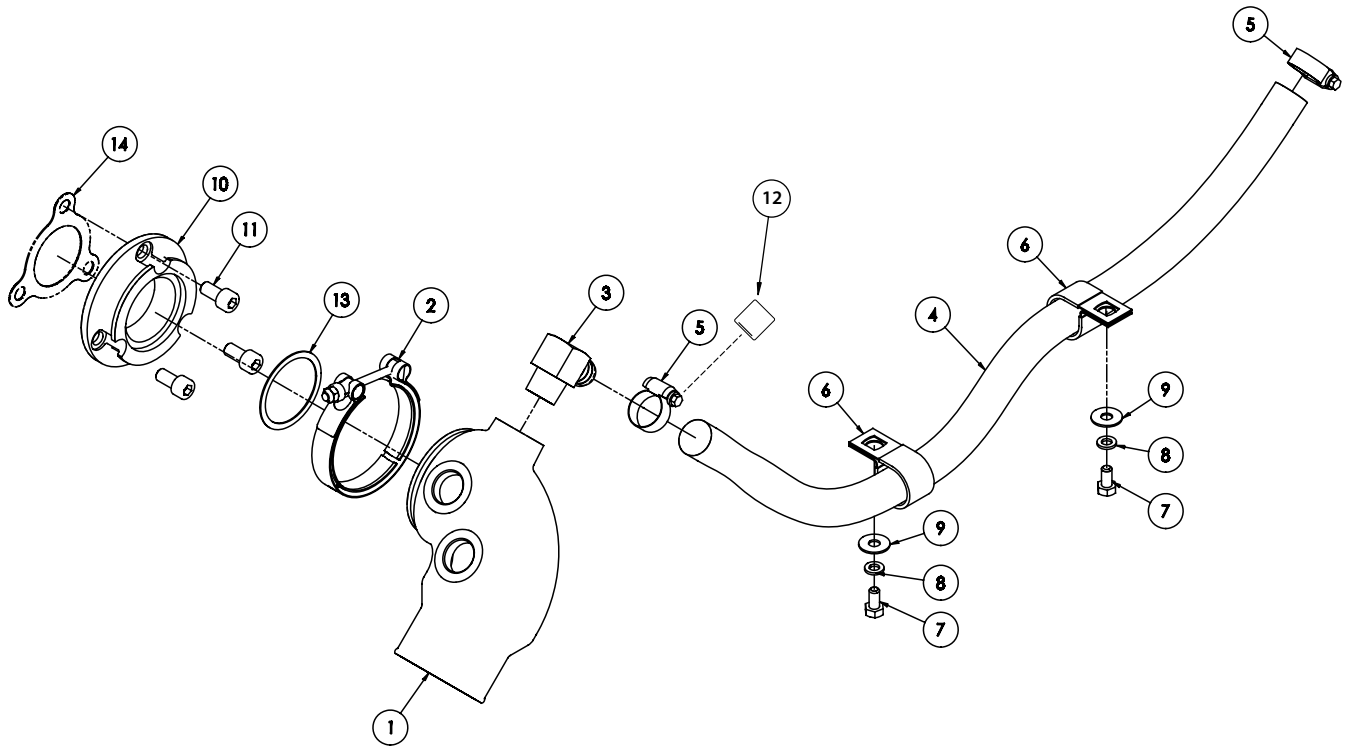
M944W3 & M30CW3



A-11281/ B-8962

KEY	PART NUMBER	QTY	DESCRIPTION	SERIAL NUMBER
1	27-35400	**	Elbow, Wet Exhaust 3" (Cast Iron)	-
	27-35413	**	Elbow, Wet Exhaust 3" (Cast S/S)	-
2	11-35401	1	Gasket, Exhaust Elbow Mtg.	-
3	12-09753	4	Capscrew, Hex Head M8 x 1.25 x 30 mm S/S	-
4	15-00706	4	Flat Washer, M8 S/S	-
5	21-31902	1	Male Elbow 90°, Brass 1/2 NPT x 3/4 HB	-
6	19-00010	2	Hose Clamp #10	-
7	18-11204	1	Hose, 3/4" I.D. x 44" Wire Reinforced	-
	18-23100	1	Hose, 3/4" I.D. x 26" Wire Reinforced (for dry exhaust elbow)	-
8	19-71031	**	Adelle Clamp 1-1/4" I.D. x 1/2" Stud	-
9	12-09751	**	Capscrew, Hex Head M8 x 1.25 x 16 mm	-
10	15-00705	**	Lock Washer, Helical M8 S/S	-
11	15-70004	**	Snubbing Washer	-
12	12-00821	1	Capscrew, Hex Head M10 x 1.5 x 20 mm S/S	-
13	15-00808	1	Lock Washer M10 S/S	-
14	15-09805	1	Flat Washer M10 S/S	-
15	22-42070	1	Switch, High Exhaust Temperature	-
16	21-13102	1	Union, 3/4" Hose Barb (for dry exhaust elbow)	-
			**As required	

Wet Exhaust elbow 3" (TD04L4) * M944T3 & M40C3



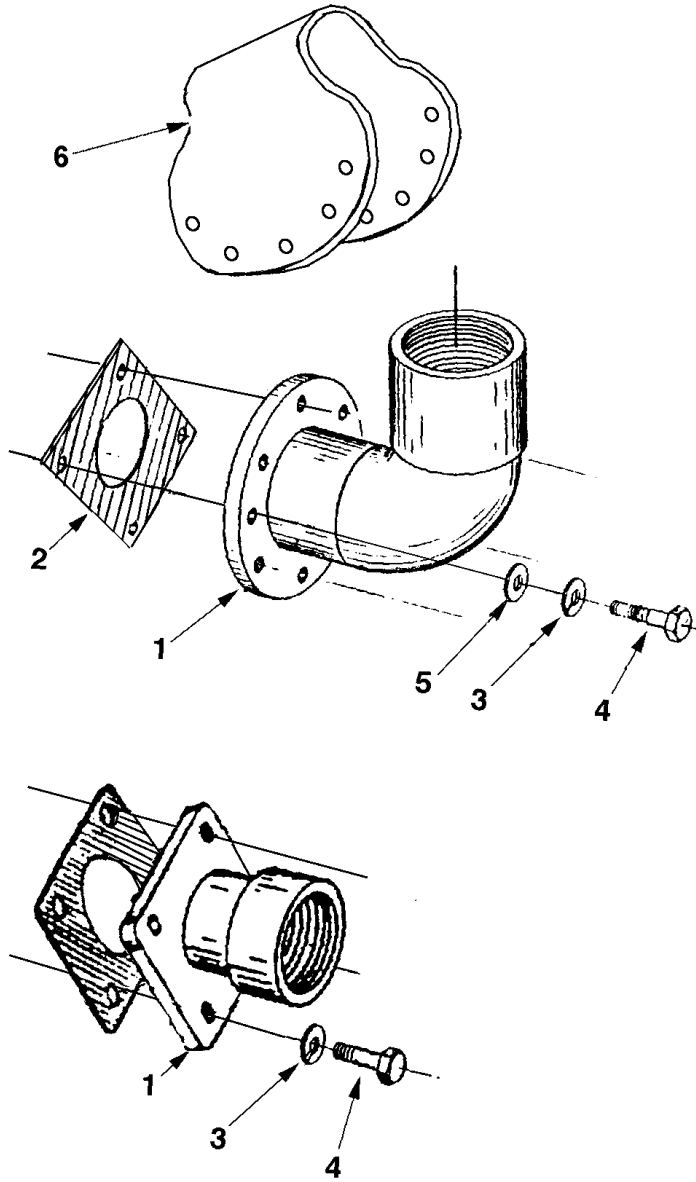
C-7108

KEY	PART NUMBER	QTY	DESCRIPTION	SERIAL NUMBER
1	27-31251	**	Elbow, Wet Exhaust 3" (Cast Iron)	-
	27-31247	**	Elbow, Wet Exhaust 3" (Cast S/S)	-
2	19-31401	1	V-Clamp	-
3	21-12809	1	Male Elbow 90, Brass 3/4NPT X 3/4HB	-
4	18-35401	1	Hose 3/4"ID X 36" Wire Reinforced	-
5	19-04012	2	Hose Clamp #12 S/S Embossed Band	-
6	19-71031	2	Adelle Clamp 1-1/4"ID X 1/2" Stud	-
7	12-09751	2	Capscrew Hex Head M8x1.25 X 16mm S/S (316)	-
8	15-00705	2	Lock Washer, Helical M8 S/S (316)	-
9	15-70004	2	Snubbing Washer S/S 0.35"ID X 0.94"OD X .060"	-
10	31-31207	1	Adapter, Mitsubishi TD04I4 Turbo Exhaust Outlet X K26 V-Clamp Pattern	-
11	12-60811	3	Capscrew, Skt Head M10x1.25 X 20mm Grade 12.9	-
12	00-00045	2	Jacket, Hose Clamp Tang	-
13	11-30007	1	Gasket, K26 Exhaust Outlet	-
14	32A3203300	1	Gasket, Turbo Exhaust Outlet	-

GROUP 2 – INTAKE & EXHAUST SYSTEM

Dry Exhaust Elbow

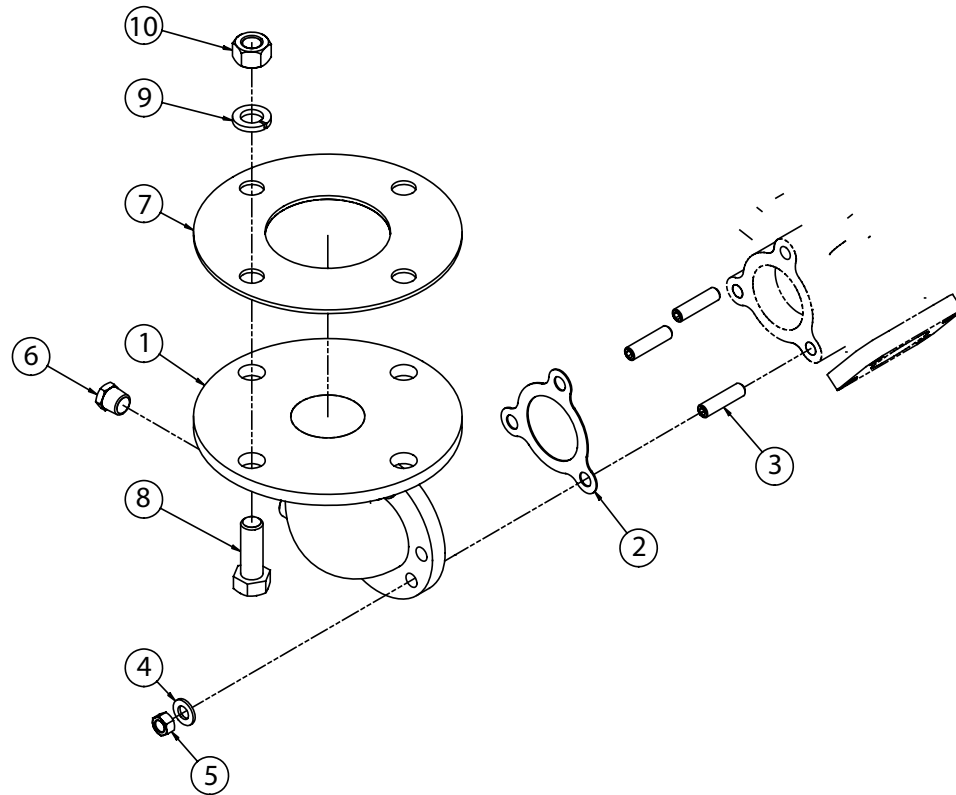
M944W3 & M30CW3



A-4267/ B-3632A

KEY	PART NUMBER	QTY	DESCRIPTION	SERIAL NUMBER
1	27-35405	1	Dry Exhaust Elbow 2" NPT Female x 5" Height	-
	31-35401	1	Dry Exhaust Adapter 2" NPT Female	-
	27-31233	1	Dry Exhaust Elbow 2" x 11" 2" Flange (Sound Enclosure Applications)	-
2	11-35401	1	Exhaust Elbow Gasket	-
3	15-00705	4	Lock Washer, Helical M8 S/S	-
4	12-00776	4	Capscrew, Hex Head M8 x 1.25 x 20 mm S/S	-
5	15-00706	4	Flat Washer M8 S/S	-
6	00-35409	1	Lagging (for exhaust elbow 22-35405)	-
	00-31201	1	Lagging (for exhaust elbow 27-31233)	-
	00-35405	1	Lagging Collar (for exhaust elbow 27-31233)	-

Dry Exhaust Elbow, 3" M - NL 944T2 & M40C3

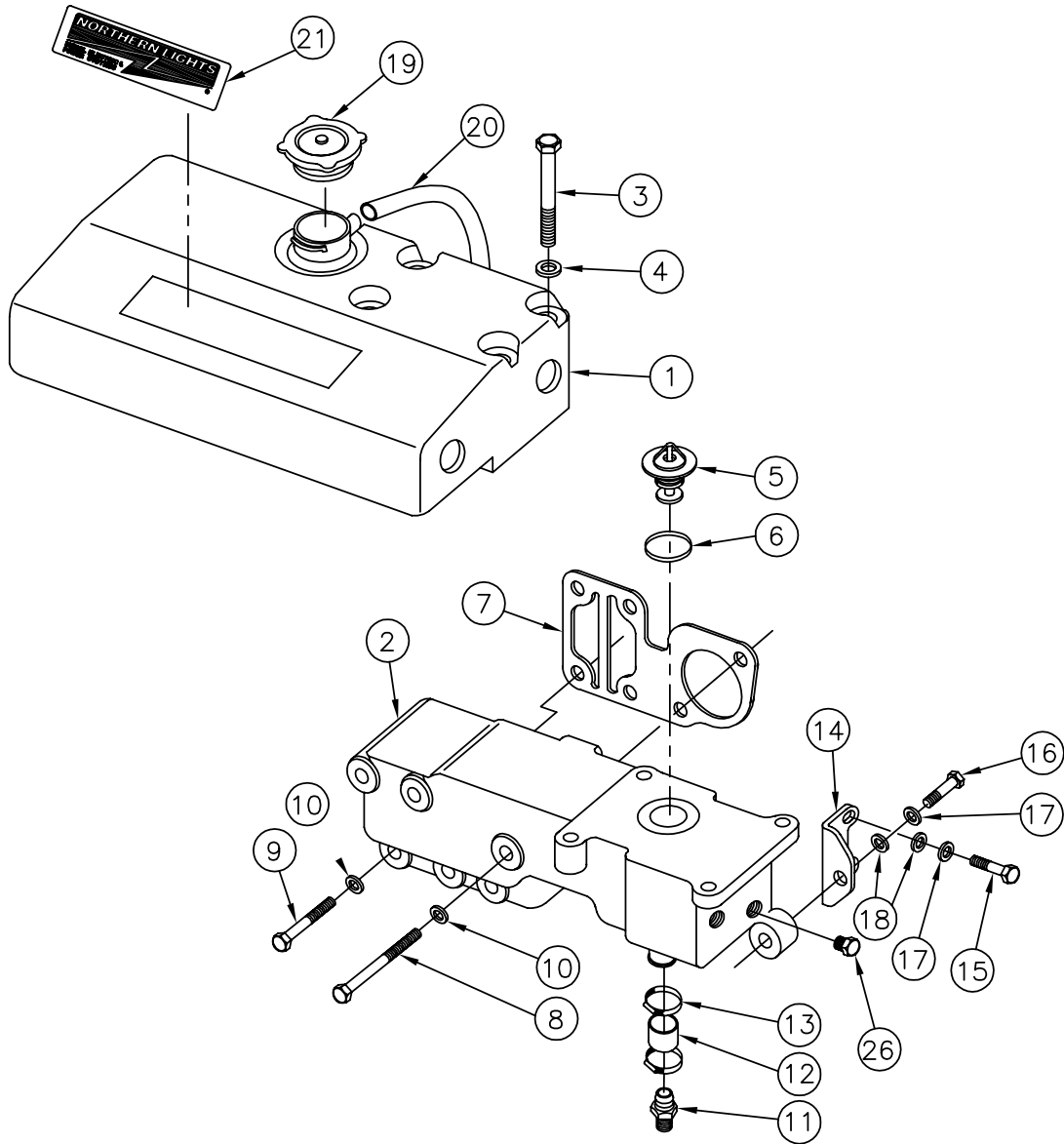


C-7115

KEY	PART NUMBER	QTY	DESCRIPTION	SERIAL NUMBER
1	27-31244	1	Elbow, Dry Exhaust 3" X 4.88" , 3" Flange	-
2	32A3203300	1	Gasket, Turbo Exhaust Outlet	-
3	12-10833	3	Set Screw, Skt Head Cup Point M10x1.25 X 40mm Grade 14.9 Din Code #916 Black Oxide	-
4	15-00300	3	Flat Washer (special)	-
5	14-00816	3	Hex Nut M10x1.25 (14mm Hex X 8mm High) ISO Class 8 / JIS B1181 Zinc Plated	-
6	21-31003	1	Plug, Hex Hd, Brass 3/8NPT	-
7	11-31094	1	Gasket, Exhaust 3" 150 LB Flange	-
8	12-00914	4	Capscrew Hex Head 5/8-11 X 1-3/4"	-
9	15-00902	4	Lock Washer, Helical 5/8"	-
10	14-00911	3	Hex Nut 5/8-11	-

GROUP 3 – COOLING SYSTEM

Expansion Tank and Thermostat Housing

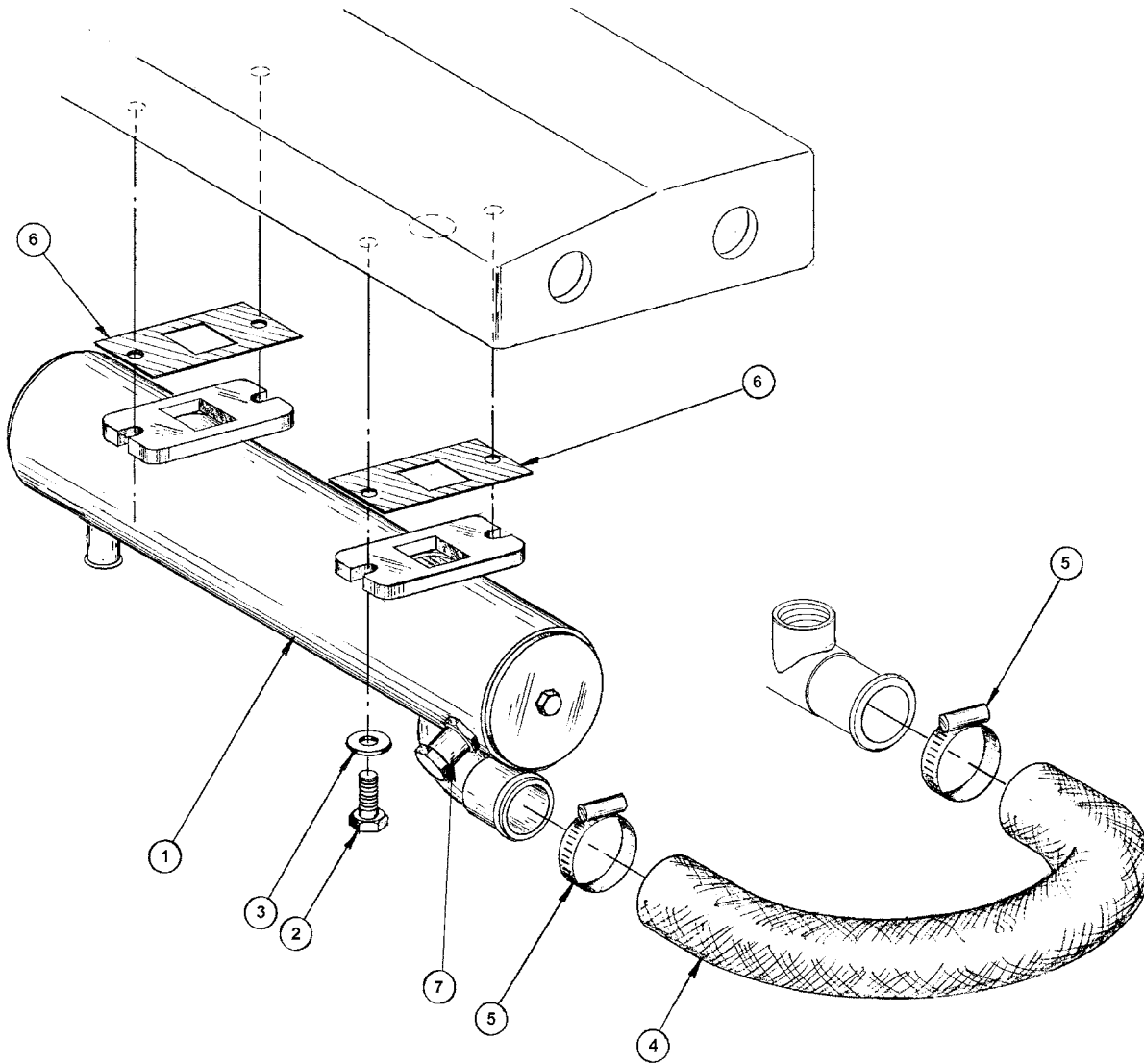


A-11220/ B-8970

Expansion Tank and Thermostat Housing

KEY	PART NUMBER	QTY	DESCRIPTION	SERIAL NUMBER
1	10-12205	1	Expansion Tank	-
2	10-11202	1	Thermostat Housing	-
3	12-09819	4	Capscrew, Hex Head M10 x 1.5 x 75 mm S/S	-
4	15-09805	4	Flat Washer M10 S/S	-
5	35-11000	1	Thermostat 180°F/ 82°C	-
6	11-10015	1	Thermostat Seal Ring	-
7	11-11201	1	Gasket, Thermostat Housing	-
8	12-09710	3	Capscrew, Hex Head M8 x 1.25 x 90 mm S/S	-
9	12-09715	3	Capscrew, Hex Head M8 x 1.25 x 50 mm S/S	-
10	15-00706	6	Flat Washer M8 S/S	-
11	21-17304	1	Male Connector, Brass 3/8 NPT x 5/8 HB	-
12	18-11205	1	Hose 5/8" ID x 1-3/4" Silicone	-
13	19-01008	2	Hose Clamp #8 Extended Band S/S	-
14	23-11201	1	Bracket, Thermostat Housing Support	-
15	12-09708	2	Capscrew, Hex Head M8 x 1.25 x 45 mm S/S	-
16	12-09712	1	Capscrew, Hex Head M8 x 1.25 x 25 mm S/S	-
17	15-00705	3	Lock Washer, Helical M8 S/S	-
18	15-00706	3	Flat Washer M8 S/S	-
19	21-12013	1	Filler Cap 7 PSI	-
20	18-00130	1	Hose, 5/16" ID x 30" Polyvinyl	-
21	00-00006	1	Nameplate, "Northern Lights"	-
	00-71000	1	Nameplate, "Lugger"	-
22	20-17301	1	Cap 3/8" ID Rubber	-
23	19-11206	1	Hose Clamp #6/ 8 Type "M" S/S	-
24	21-51901	2	Plug, Socket Head Brass 1/4 NPT (not shown)	-
25	21-00012	2	Plug, Hex Head Brass 1/8 NPT (not shown)	-
26	21-31003	2	Plug, Hex Head Brass 3/8 NPT	-

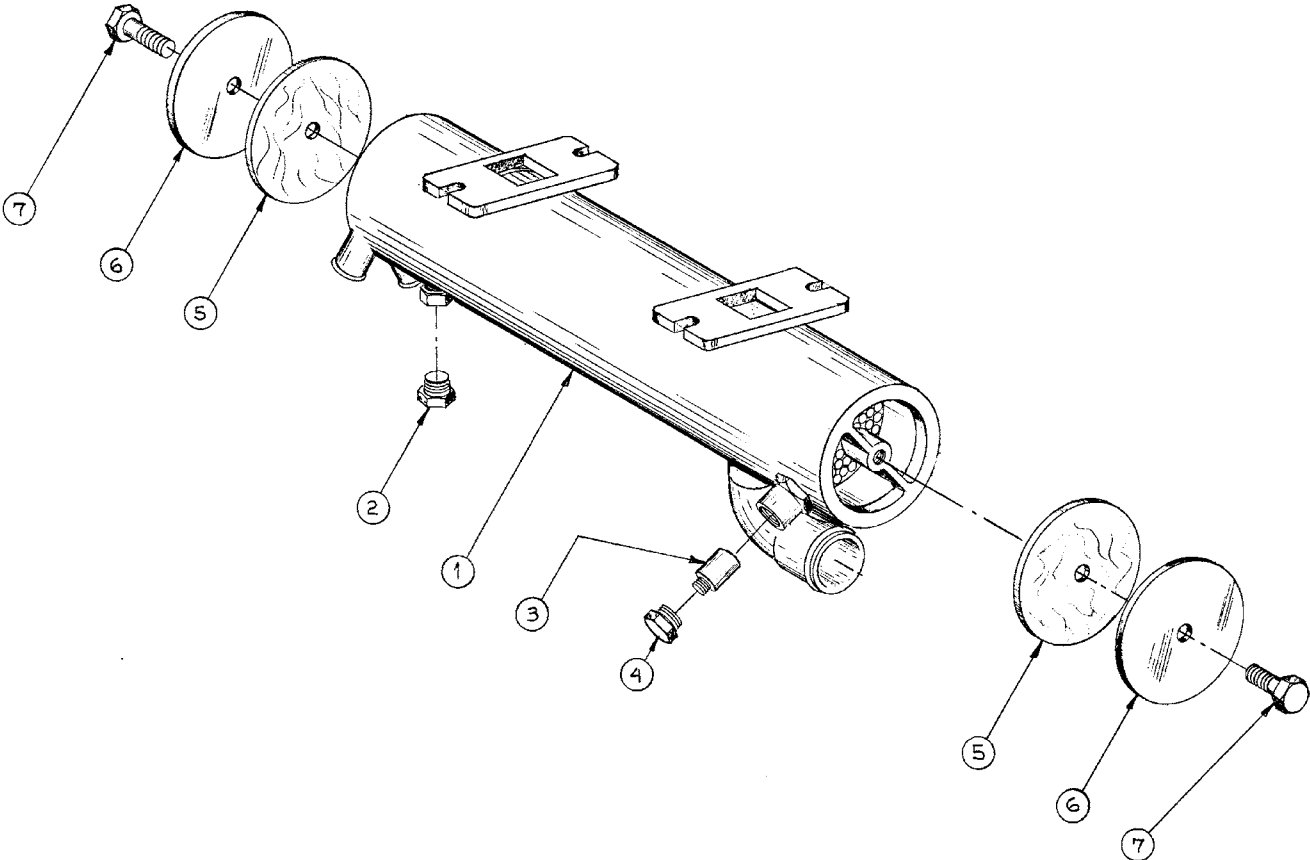
Heat Exchanger & Mounting



A-11221/ C-6124

KEY	PART NUMBER	QTY	DESCRIPTION	SERIAL NUMBER
1	20-11202	1	Heat Exchanger Assembly (see parts detail)	-
2	12-09212	4	Capscrew, Hex Head 5/16- 18 x 1" S/S	-
3	15-11000	4	Flat Washer 5/16" S/S	-
4	18-11201	1	Hose, Heat Exchanger Outlet 1-1/2" I.D.	-
5	19-00024	2	Hose Clamp #24	-
6	11-12203	2	Gasket	-
7	00-10003	1	Label "Zinc"	-

Heat Exchanger Assembly

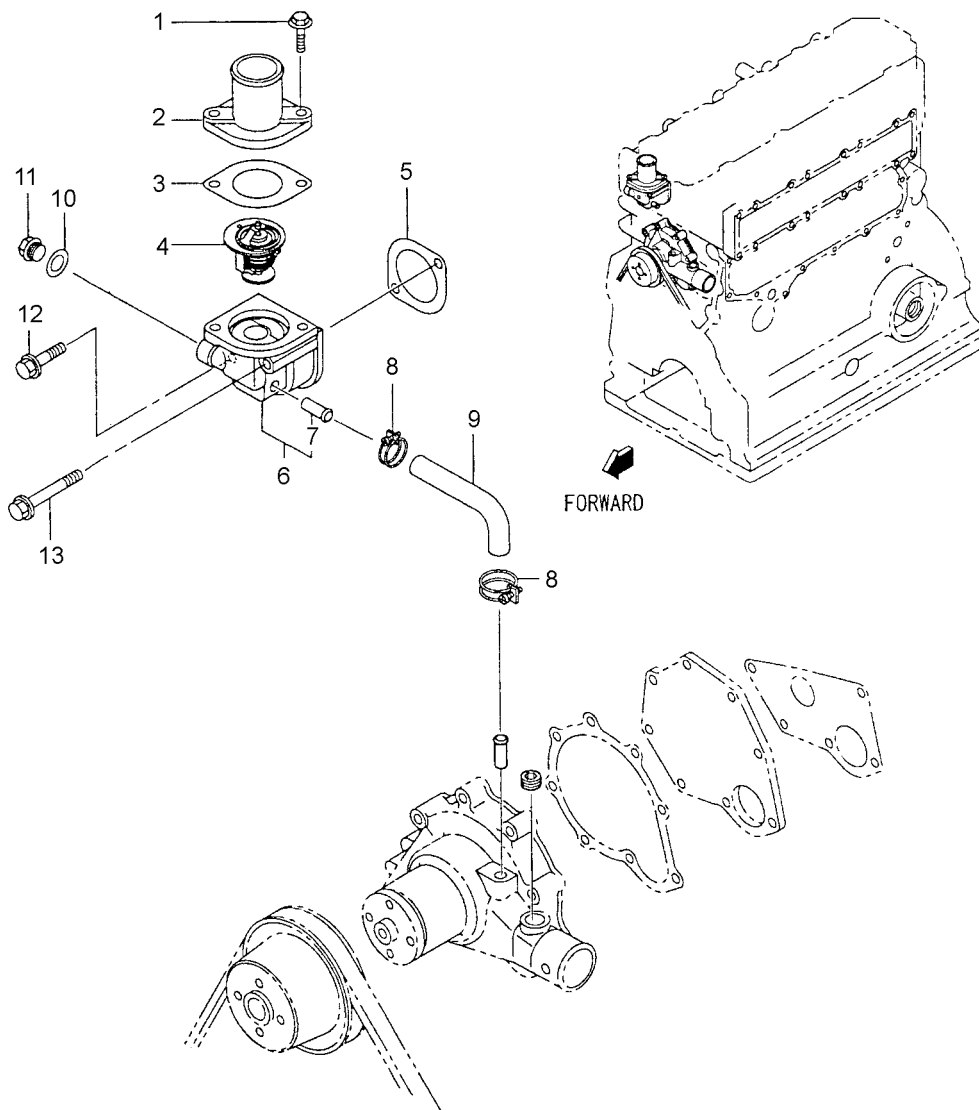


/ C-5846

KEY	PART NUMBER	QTY	DESCRIPTION	SERIAL NUMBER
••	20-11202	1	Heat Exchanger Assembly, CU-NI (includes all keys)	-
1	20-11201	1	Heat Exchanger	-
2	21-31624	1	Plug, Hex Head Brass 1/4 NPT	-
3	21-12010	1	Zinc Anode 11/32" O.D. x 1-3/4"	-
4	21-12000	1	Plug, Hex Head Brass 1/4 NPT x 5/16- 18	-
5	20-12012	2	Gasket, Rubber 3"	-
6	28-12201	2	End Plate 3" O.D. x 1/8"	-
7	12-11002	2	Capscrew, Hex Head 3/8- 16 x 3/4" S/S	-

Thermostat & Housing

NL944D3 & T3

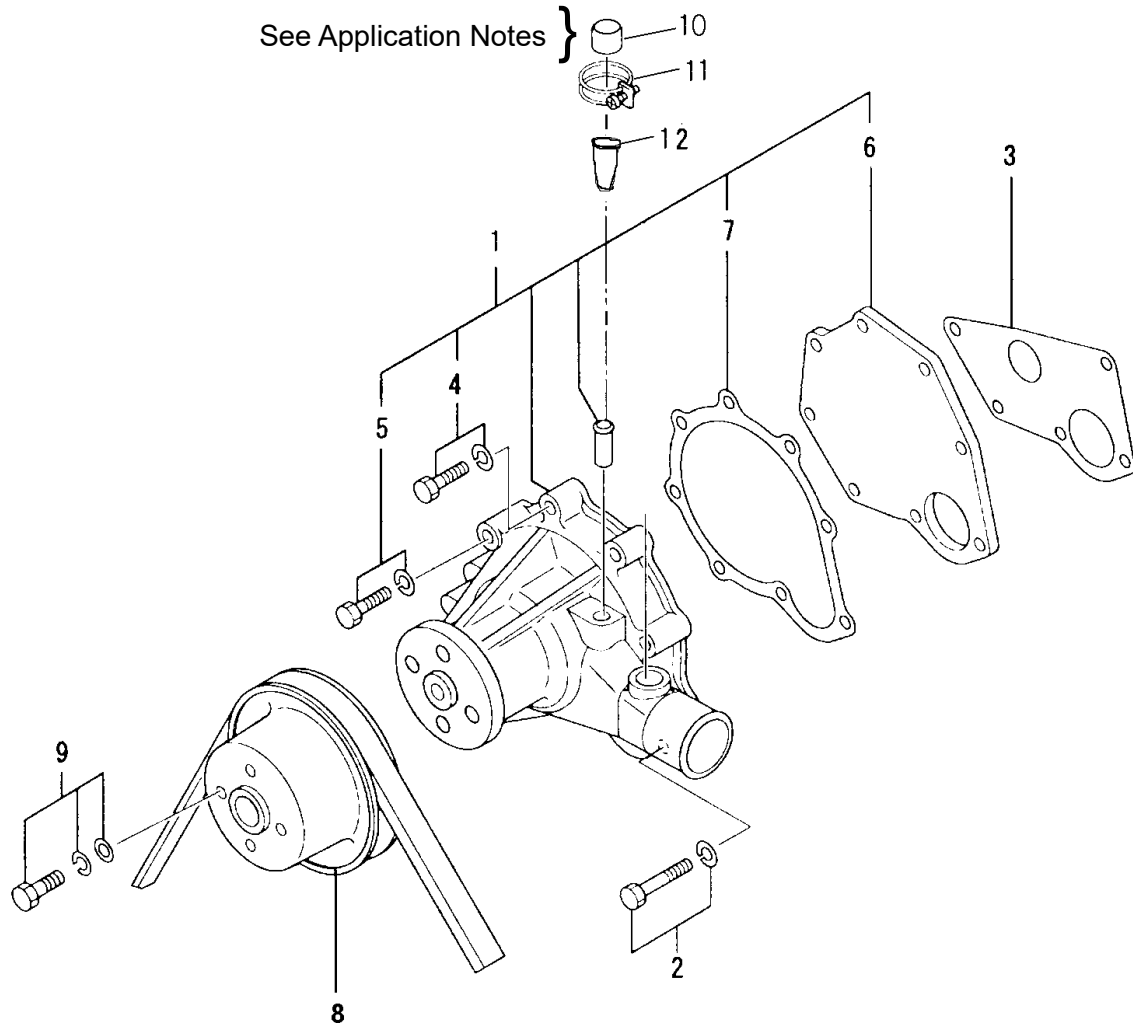


32B4608E

KEY	PART NUMBER	QTY	DESCRIPTION	SERIAL NUMBER
1	MF140227	2	Bolt, Flange Head	-
2	32A4601101	1	Thermostat Cover	-
3	32A4601400	1	Gasket	-
4	32A4602100	1	Thermostat	-
5	32A4601800	1	Gasket	-
6	32A4610030	1	Thermostat Housing (includes key #7)	-
	10-11203	1	Thermostat Housing (extra 1/8 NPT sensor port)*	-
7		1	Connector (not available separately)	-
8	32A4603100	2	Hose Clamp	-
9	32A4600900	1	Bypass Hose	-
10	3063625901	1	Gasket	-
11	M316248	1	Drain Plug	-
12	MF140433	1	Bolt, Flange Head	-
13	MF140239	1	Bolt, Flange Head	-
*Note: NL944T with block heater option				

Coolant Pump

M944W3 - M30CW3 - NL944D3

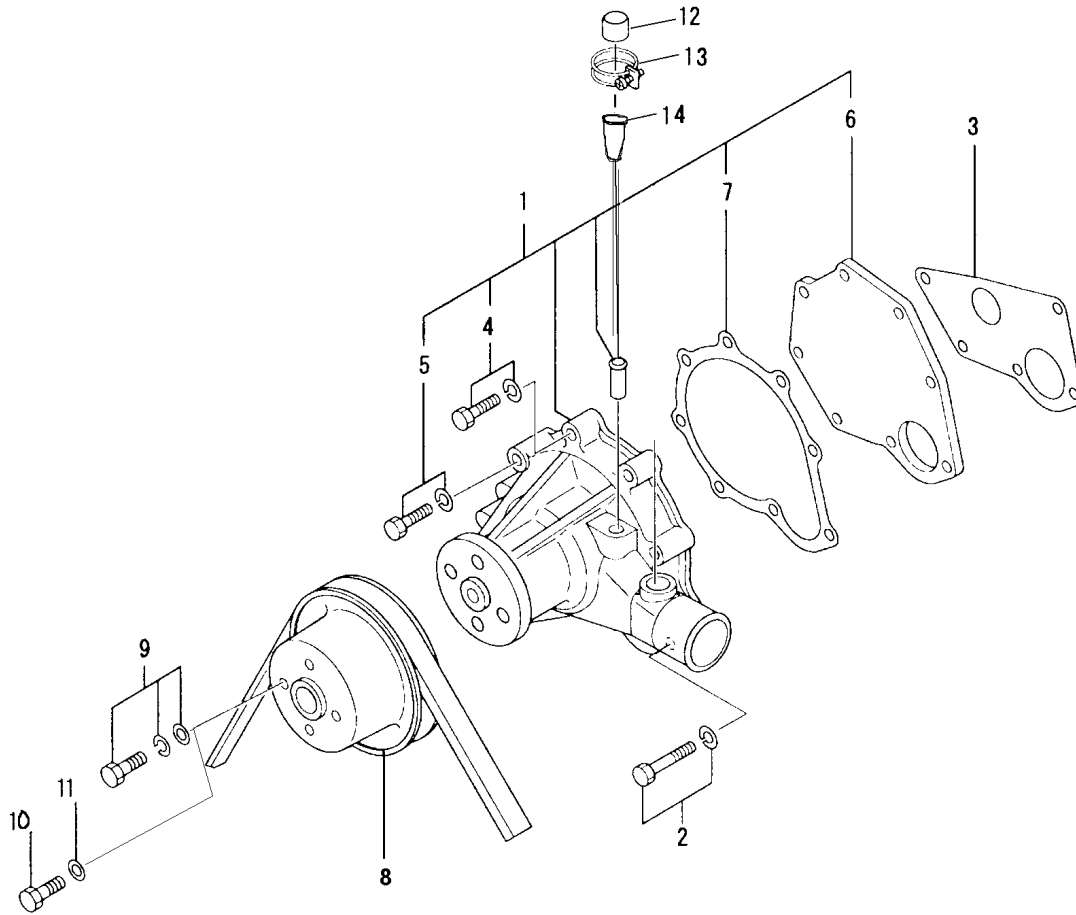


32B4511

KEY	PART NUMBER	QTY	DESCRIPTION	SERIAL NUMBER
1	32A4500023	1	Coolant Pump Assembly (includes keys 4-7) NL944D3	-
	25-11217	1	Coolant Pump Assembly (includes keys 4-7+10-12) M944W3-M30CW3 *	-
2	MF241262	5	Bolt with Washer	-
3	32A4500500	1	Gasket	-
4	MF140227	2	Flange Bolt	-
5	MF140231	1	Flange Bolt	-
6	32A4500300	1	Cover	-
7	32A4500400	1	Gasket	-
8	32A4502100	1	Pulley	-
9	MF243648	4	Bolt with Washer	-
10	21-21201-1	1	Cap	-
11	19-50115	1	Hose Clamp { Not Required with pump 25-11215 *	-
12	21-11204	1	Taper Plug 3/8" x 1/4" x 3/4" LOA	-
* Pump Assembly with cap #10, clamp #11 & plug #12 supercedes 25-11215				

Coolant Pump

M944T3 - M40C3 - NL944D3 - NL944T3

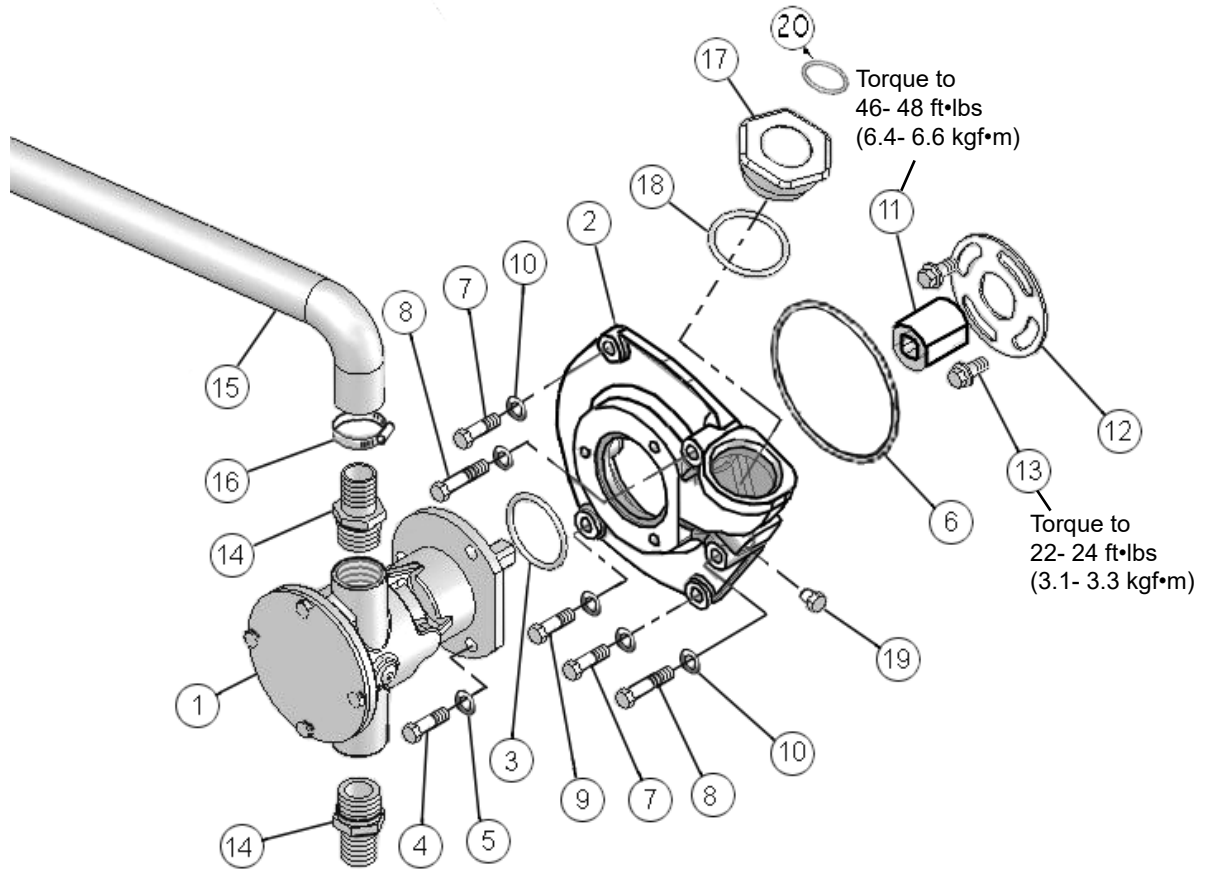


32B4511

KEY	PART NUMBER	QTY	DESCRIPTION	SERIAL NUMBER
1	32B4510032	1	Coolant Pump Assembly (includes keys 4-7) NL944T3	-
	25-11218	1	Coolant Pump Assembly (includes keys 2-7 & 12-14) M944T3 - M40C3	-
2	MF241262	5	Bolt with Washer	-
3	32A4510500	1	Gasket	-
4	F180508025	2	Bolt with Washer	-
5	F180508035	1	Bolt with Washer	-
6	32A4500300	1	Cover	-
7	32A4510400	1	Gasket	-
8	32B4502101	1	Pulley	-
9	MF241254	4	Bolt with Washer (NL944T3)	-
10	12-00776	4	Capscrew, Hex Head M8 x 1.25 - 20 S/S	} (M944T3 , M40C3)
11	15-00705	4	Capscrew, Hex Head M8 Lockwasher S/S	
12	21-21201-1	1	Cap	-
13	19-50115	1	Clamp	-
14	21-11204	1	Taper Plug 3/8" x 1/4" x 3/4" LOA	-

Raw Water Pump & Mounting

M944 & M30CW



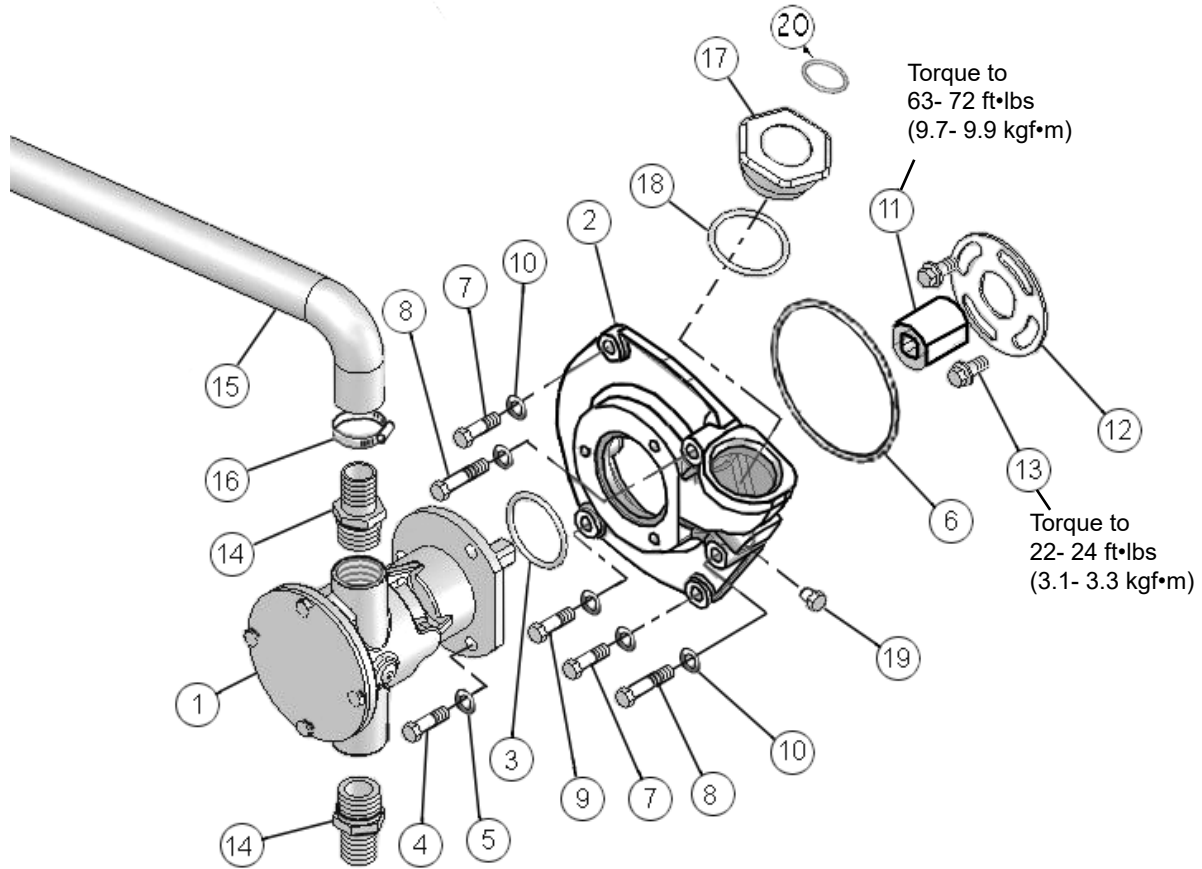
A-11222/

KEY	PART NUMBER	QTY	DESCRIPTION	SERIAL NUMBER
1	25-11202	1	Raw Water Pump (see parts detail)	-
2	31-11202	1	Adapter, Raw Water Pump Mtg.	-
3	25-19517	1	O-ring	-
4	12-00776	3	Capscrew, Hex Head M8 x 1.25 x 20 mm S/S	-
5	15-00705	3	Lock Washer, Helical M8 S/S	-
6	16-11201	1	O-ring	-
7	12-34801	2	Capscrew, Hex Head M8 x 1.25 x 70 mm	-
8	12-00710	2	Capscrew, Hex Head M8 x 1.25 x 90 mm	-
9	12-00719	1	Capscrew, Hex Head M8 x 1.25 x 75 mm	-
10	15-00706	4	Flat Washer M8 S/S	-
11	14-01201	1	Nut, Raw Water Pump Drive	-
12	28-11201	1	Plate, Drive Nut Retaining	-
13	12-80709	2	Capscrew, Hex Head Flanged M8 x 1.25 x 12 mm	-
14	21-11902	2	Male Connector Brass 3/4 NPT x 3/4 HB	-
15	18-11203	1	Hose, Raw Water Pump Outlet	-
16	19-00010	2	Hose Clamp #10	-
17	198436010	1	Cap, Oil Fill	-
18	052300400	1	O-ring	-
19	21-00012	1	Plug, Hex Head Brass 1/8 NPT	-

GROUP 3 – COOLING SYSTEM

Raw Water Pump & Mounting

M944T3 & M40C3

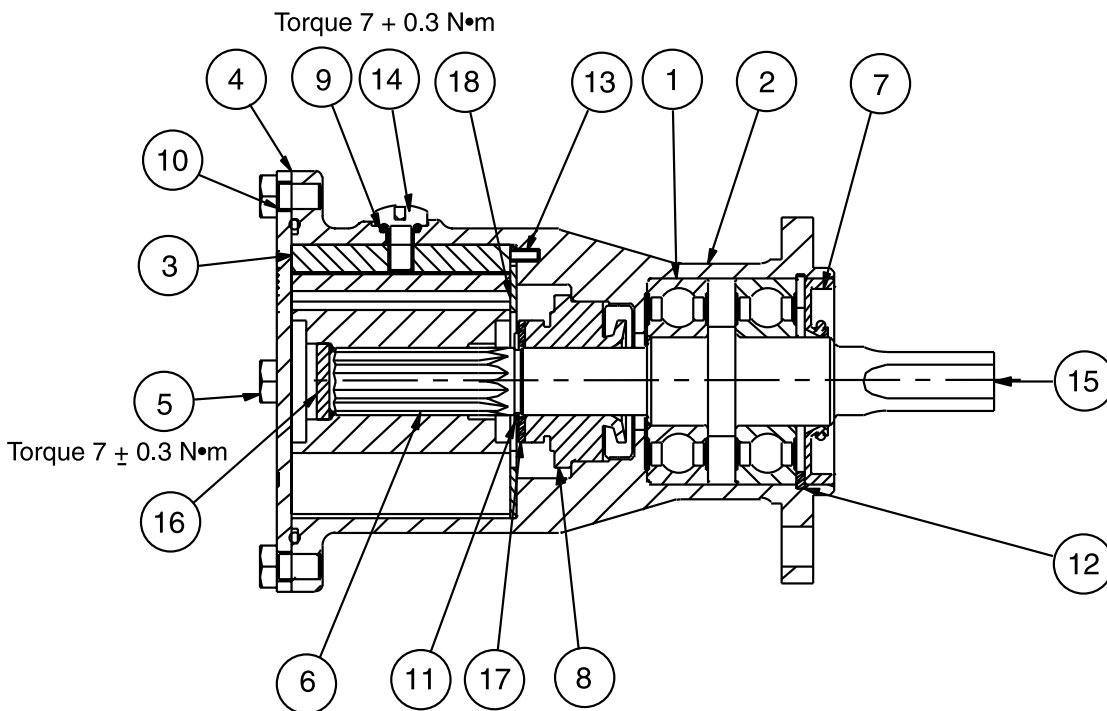


A-11945

KEY	PART NUMBER	QTY	DESCRIPTION	SERIAL NUMBER
1	25-11202	1	Raw Water Pump (see parts detail)	-
2	31-11202	1	Adapter, Raw Water Pump Mtg.	-
3	25-19517	1	O-ring	-
4	12-00776	3	Capscrew, Hex Head M8 x 1.25 x 20 mm S/S	-
5	15-00705	3	Lock Washer, Helical M8 S/S	-
6	16-11201	1	O-ring	-
7	12-09801	2	Capscrew, Hex Head M8 x 1.25 x 70 mm S/S	-
8	12-09710	2	Capscrew, Hex Head M8 x 1.25 x 90 mm S/S	-
9	12-09719	1	Capscrew, Hex Head M8 x 1.25 x 75 mm S/S	-
10	15-00706	4	Flat Washer M8 S/S	-
11	14-01202	1	Nut, Raw Water Pump Drive	-
12	28-11201	1	Plate, Drive Nut Retaining	-
13	12-80709	2	Capscrew, Hex Head Flanged M8 x 1.25 x 12 mm	-
14	21-11902	2	Male Connector Brass 3/4 NPT x 3/4 HB	-
15	18-11203	1	Hose, Raw Water Pump Outlet	-
16	19-00010	2	Hose Clamp #10	-
17	198436010	1	Cap, Oil Fill	-
18	052300400	1	O-ring	-
19	21-00012	1	Plug, Hex Head Brass 1/8 NPT	-
20	00-00035	1	Label - "Oil Fill"	-

GROUP 3 – COOLING SYSTEM

Raw Water Pump

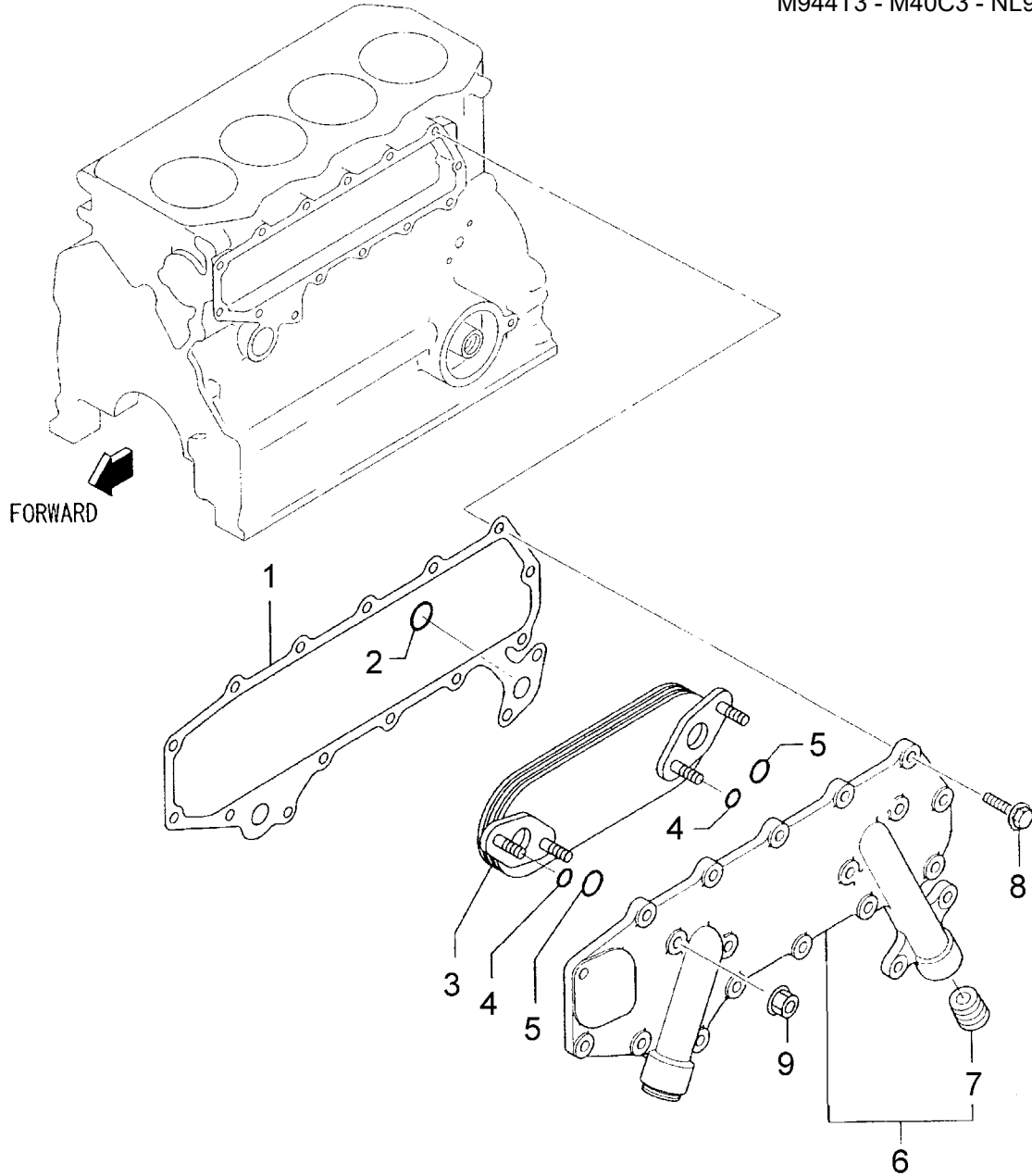


A-11209/ 50550-2001jabsco

KEY	PART NUMBER	QTY	DESCRIPTION	SERIAL NUMBER
••	25-11202	1	Raw Water Pump (includes all keys)	-
•	25-11216	1	Repair Kit (includes keys #1,3,4,6,7,8,9, & 18)	-
1	25-15708	2	Bearing	-
2	25-11203	1	Housing	-
3	25-11204	1	Cam	-
4	25-11206	1	Cover	-
5	25-11207	4	Capscrew Hex Head M6 x 1.0 x 10 mm S/S	-
6	25-11011	1	Impeller (includes keys #10 & #16)	-
7	25-11208	1	Lip Seal	-
8	25-19508	1	Mechanical/ Carbon Seal	-
9	25-11209	1	O-ring	-
10	25-11211	1	O-ring	-
11	25-12069	1	Snap Ring	-
12	25-11212	1	Snap Ring	-
13	25-11213	1	Roll Pin	-
14	25-11214	1	Screw	-
15	25-11201	1	Shaft	-
16	25-12017	1	Spline Seal	-
17	25-19509	1	Support Washer	-
18	25-19511	1	Wear Plate	-

Oil Cooler

M944T3 - M40C3 - NL944T3



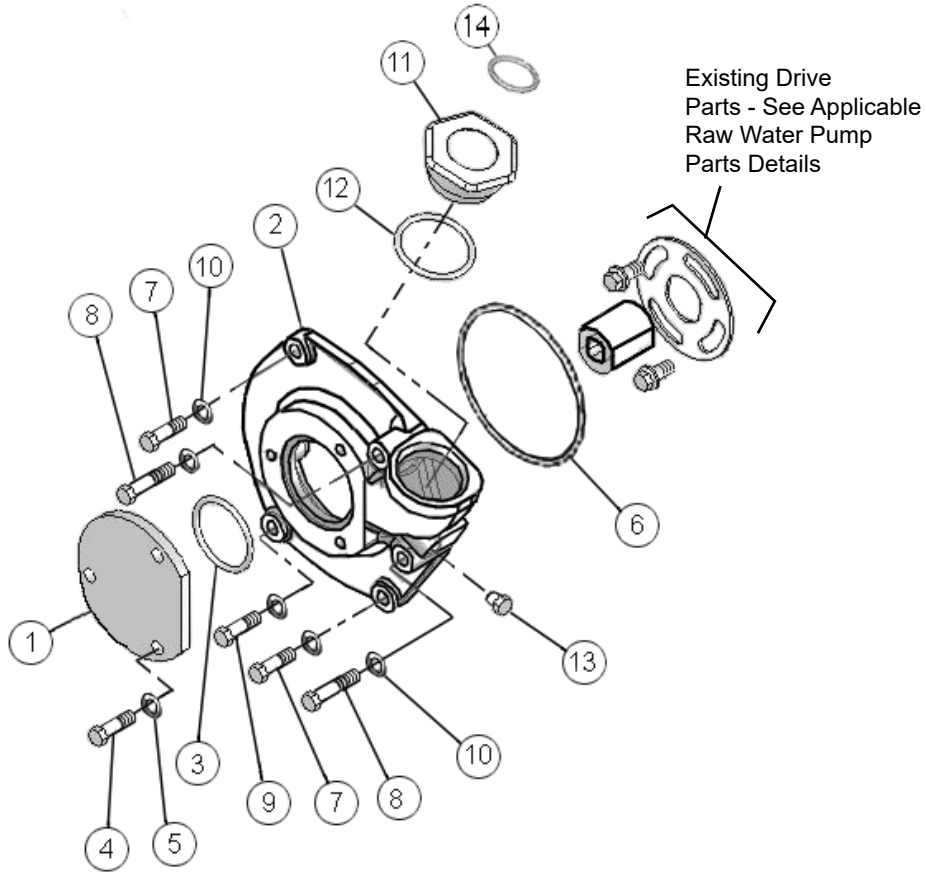
32B3915a

KEY	PART NUMBER	QTY	DESCRIPTION	SERIAL NUMBER
1	32A3014100	1	Gasket	-
2	F315002000	2	O-ring	-
3	32A3903300	1	Element	-
4	0550700090	4	O-ring	-
5	0550700280	2	O-ring	-
6	32A3903101	1	Housing Assembly (includes key 7)	-
7	0482772100	2	Plug	-
8	MF140225	14	Bolt, Flange head	-
9	0563330800	4	Nut, Flange head	-

GROUP 3 – COOLING SYSTEM

PUMP ADAPTER PARTS & OIL FILL

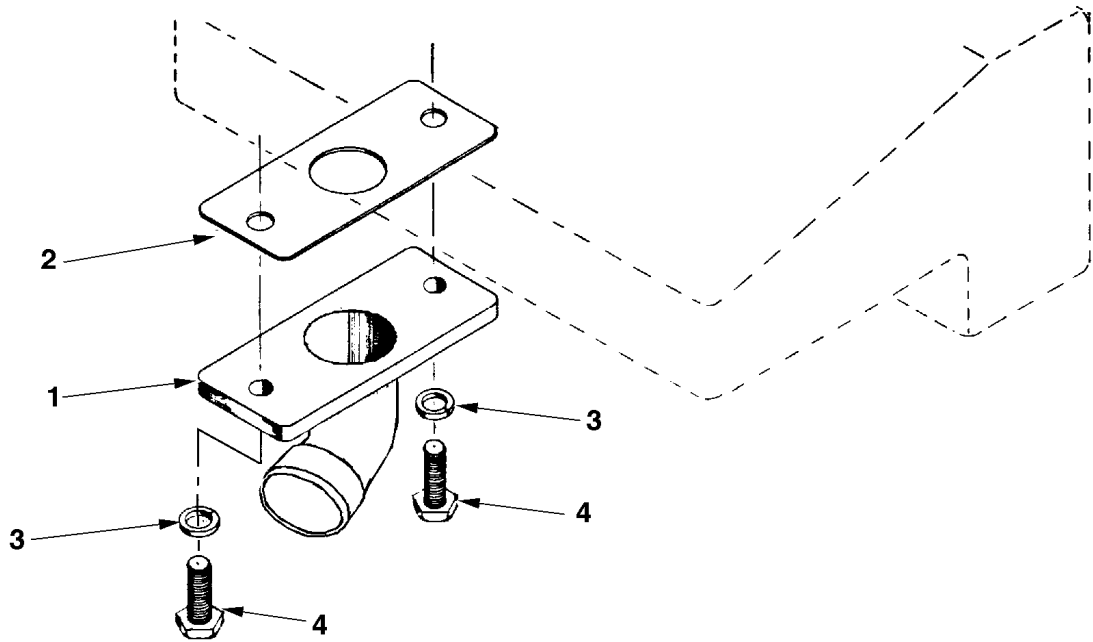
L-M944 All with Keel Cooling Conversion



A-11945

KEY	PART NUMBER	QTY	DESCRIPTION	SERIAL NUMBER
1	28-11202	1	Plate	-
2	31-11202	1	Adapter, Raw Water Pump Mtg.	-
3	11-11203	1	Gasket	-
4	12-00776	3	Capscrew, Hex Head M8 x 1.25 x 20 mm S/S	-
5	15-00705	3	Lock Washer, Helical M8 S/S	-
6	16-11201	1	O-ring	-
7	12-09801	2	Capscrew, Hex Head M8 x 1.25 x 70 mm S/S	-
8	12-09710	2	Capscrew, Hex Head M8 x 1.25 x 90 mm S/S	-
9	12-09719	1	Capscrew, Hex Head M8 x 1.25 x 75 mm S/S	-
10	15-00706	4	Flat Washer M8 S/S	-
11	198436010	1	Cap, Oil Fill	-
12	052300400	1	O-ring	-
13	21-00012	1	Plug, Hex Head Brass 1/8 NPT	-
14	00-00035	1	Label - "Oil Fill"	-

Keel Cooling Outlet

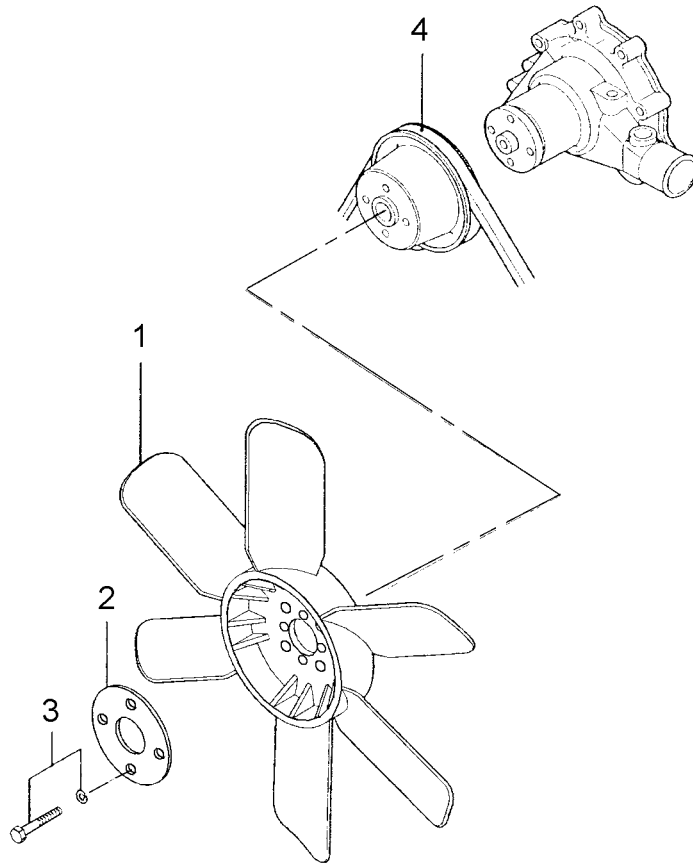


A-4400/ B-1700

KEY	PART NUMBER	QTY	DESCRIPTION	SERIAL NUMBER
1	31-15402	1	Keel Cooling Adapter 1-1/2" Hose Barb	-
2	11-12203	1	Gasket	-
3	15-00222	2	Lock Washer, 5/16" S/S	-
4	12-09212	2	Capscrew, 5/16- 18 x 1" S/S	-

Cooling Fan

NL944D3 & NL944T3



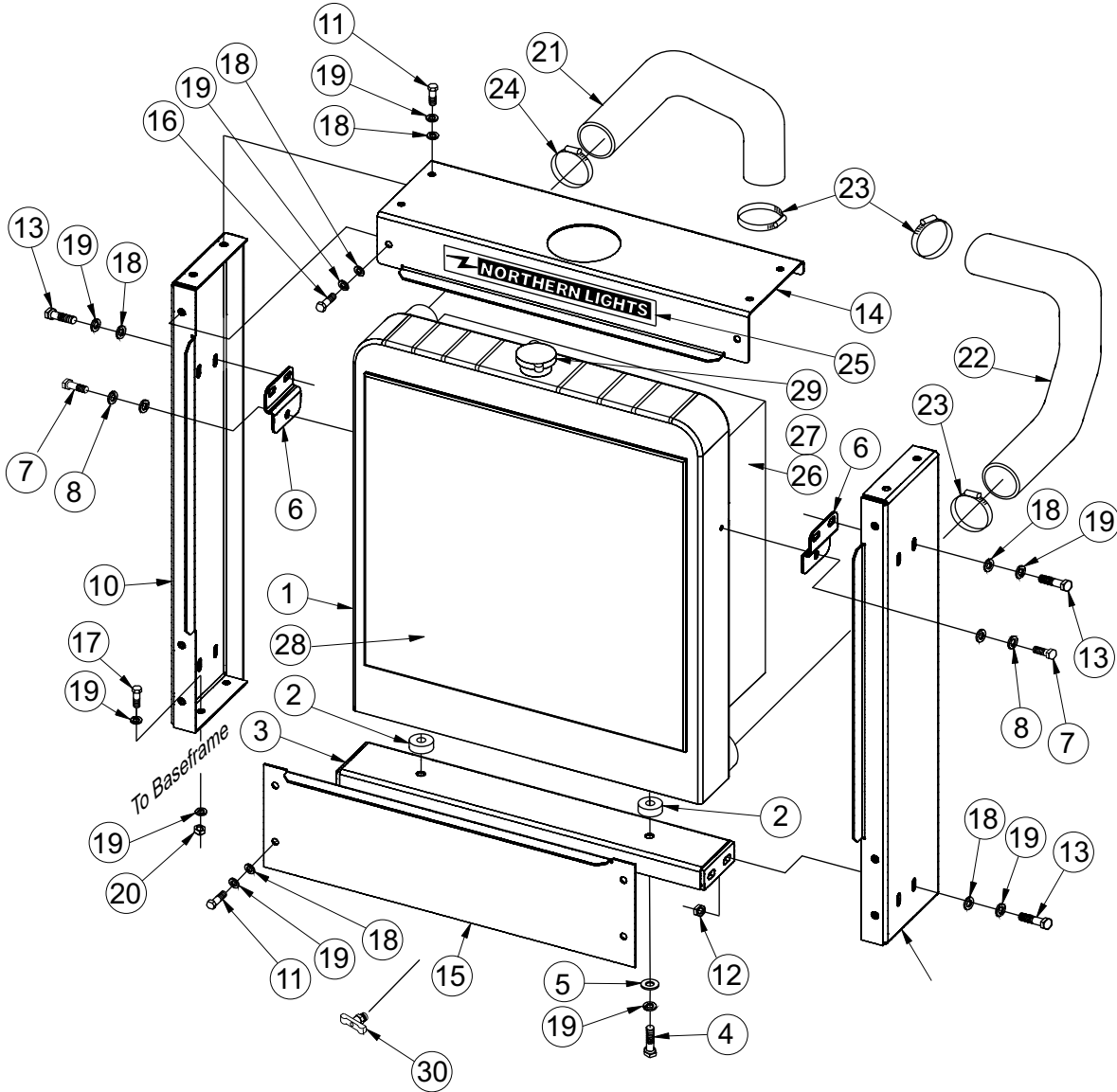
32B4816D

KEY	PART NUMBER	QTY	DESCRIPTION	SERIAL NUMBER
1	32A4800400	1	Fan	-
2	3134512100	1	Fan Plate	-
3	MF241254	4	Bolt with washer	-
4	40-15001	1	Belt	-

GROUP 3 - COOLING SYSTEM

Radiator & Mounting

NL944D3 & NL944T3



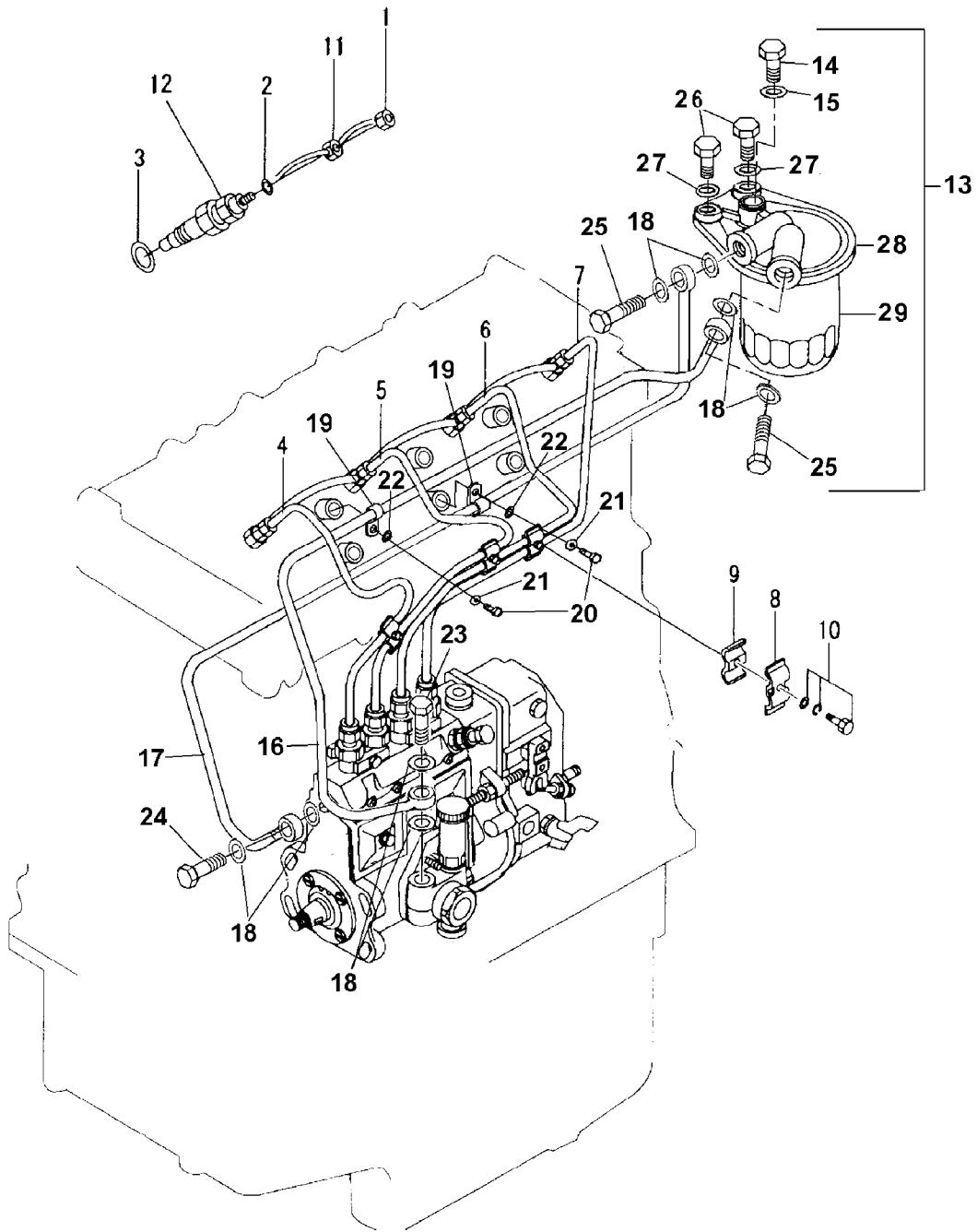
A-12083/ B-9446

Radiator

KEY	PART NUMBER	QTY	DESCRIPTION	SERIAL NUMBER
1	79000478	1	Radiator	-
2	21-19601	2	Spacer	-
3	39-11203	1	Cross Member, Radiator Support	-
4	12-00513	2	Capscrew, Hex Head 1/2-13 x 1-1/4"	-
5	15-00501	2	Flat Washer, 1/2"	-
6	23-11203	2	Bracket	-
7	12-00308	2	Capscrew, Hex Head 3/8-16 x 5/8"	-
8	15-00301	2	Flat Washer, 3/8"	-
9	39-11201	1	Side Panel, Left hand	-
10	39-11202	1	Side Panel, Right hand	-
11	12-04400	4	Capscrew, Hex Head M10 x 1.5 x 16 mm	-
12	14-00808	2	Lock Nut, Flanged M10 x 1.5	-
13	12-00805	8	Capscrew, Hex Head M10 x 1.5 x 20 mm	-
14	39-11204	1	Top Panel	-
15	39-11206	1	Lower Valence	-
16	12-00822	10	Capscrew, Hex Head M10 x 1.5 x 14 mm	-
17	12-00831	4	Capscrew, Hex Head M10 x 1.5 x 25 mm	-
18	15-00805	22	Flat Washer, M10	-
19	15-00802	22	Lock Washer, Helical M10	-
20	14-00811	4	Hex Nut, M10 x 1.5	-
21	68900392	1	Hose, Radiator Inlet	-
22	68900391	1	Hose, Radiator Outlet	-
23	19-00028	3	Hose Clamp #28	-
24	19-00032	1	Hose Clamp #32	-
25	00-70079	1	Label "Northern Lights"	-
26	89100276	1	Fan Shroud	-
27	89600163	1	Fan Guard	-
28	79700064	1	Stone Guard	-
29	69300001	1	Filler Cap 13 PSI	-
30	21-10002	1	Drain Cock	-

Fuel System

M944W3 & M30CW3



32B6116

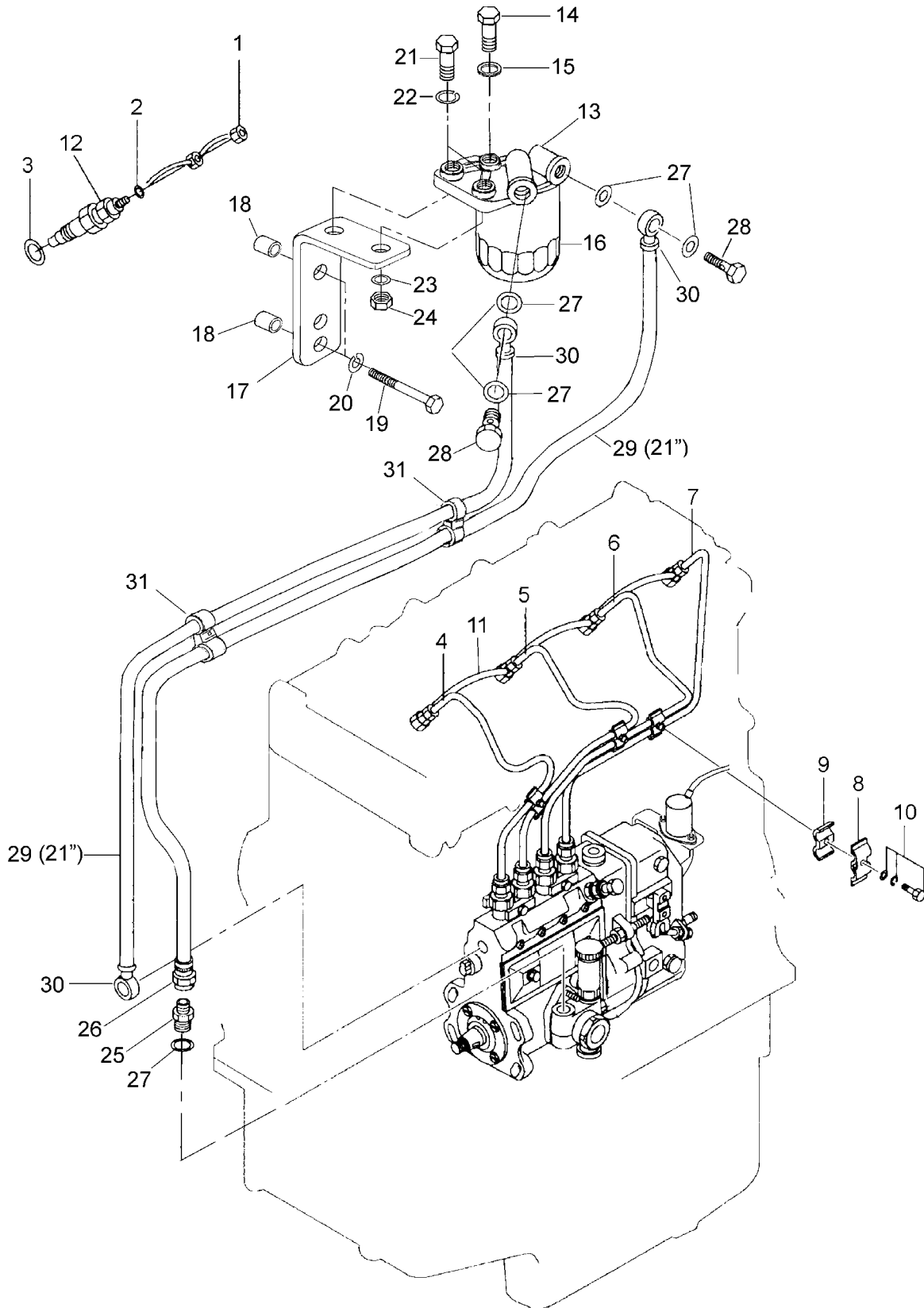
Fuel System

M944W3 & M30CW3

KEY	PART NUMBER	QTY	DESCRIPTION	SERIAL NUMBER
1	MDO68353	4	Nut	-
2	MDO68355	4	Gasket, Fuel Return	-
3	MDO70717	4	Gasket	-
4	32A6159100	1	Injection Line No. 1	-
5	32A6159200	1	Injection Line No. 2	-
6	32A6159300	1	Injection Line No. 3	-
7	32B6102400	1	Injection Line No. 4	-
8	MM430703	3	Clamp	-
9	MM430614	3	Clamp	-
10	MF243638	3	Bolt with washer	-
11	32A6104100	1	Fuel Leak-off Tube	-
12	32C6106000	4	Injector	-
13	3446200011	1	Fuel Filter Head Assembly (see Assembly detail, includes keys 14-15, 18, 28, 29)	-
14	MH037084	1	Plug	-
15	0594600801	1	Sealing Washer	-
16	27-51201	1	Tube, Fuel Filter Inlet	-
17	27-51202	1	Tube, Fuel Filter Outlet	-
18	07005-01412	8	Sealing Washer M14	-
19	19-72252	2	Adelle Clamp 3/8" I.D. x 3/8"	-
20	12-09751	2	Capscrew, Hex Head M8 x 1.25 x 16 mm S/S	-
21	15-00705	2	Lock Washer, Helical M8 S/S	-
22	15-00706	2	Flat Washer M8 S/S	-
23	8526500078	1	Banjo Bolt	-
24	9491800310	1	Banjo Bolt	-
25	MH037087	2	Banjo Bolt	-
26	12-09832	2	Capscrew, Hex Head M10 x 1.5 x 30 mm S/S	-
27	15-99804	2	Wave Washer M10 S/S	-
28	3446200201	1	Adapter Head	-
29	24-51201	1	Element	-

Fuel System

NL944D3



32B6116, NL944D3

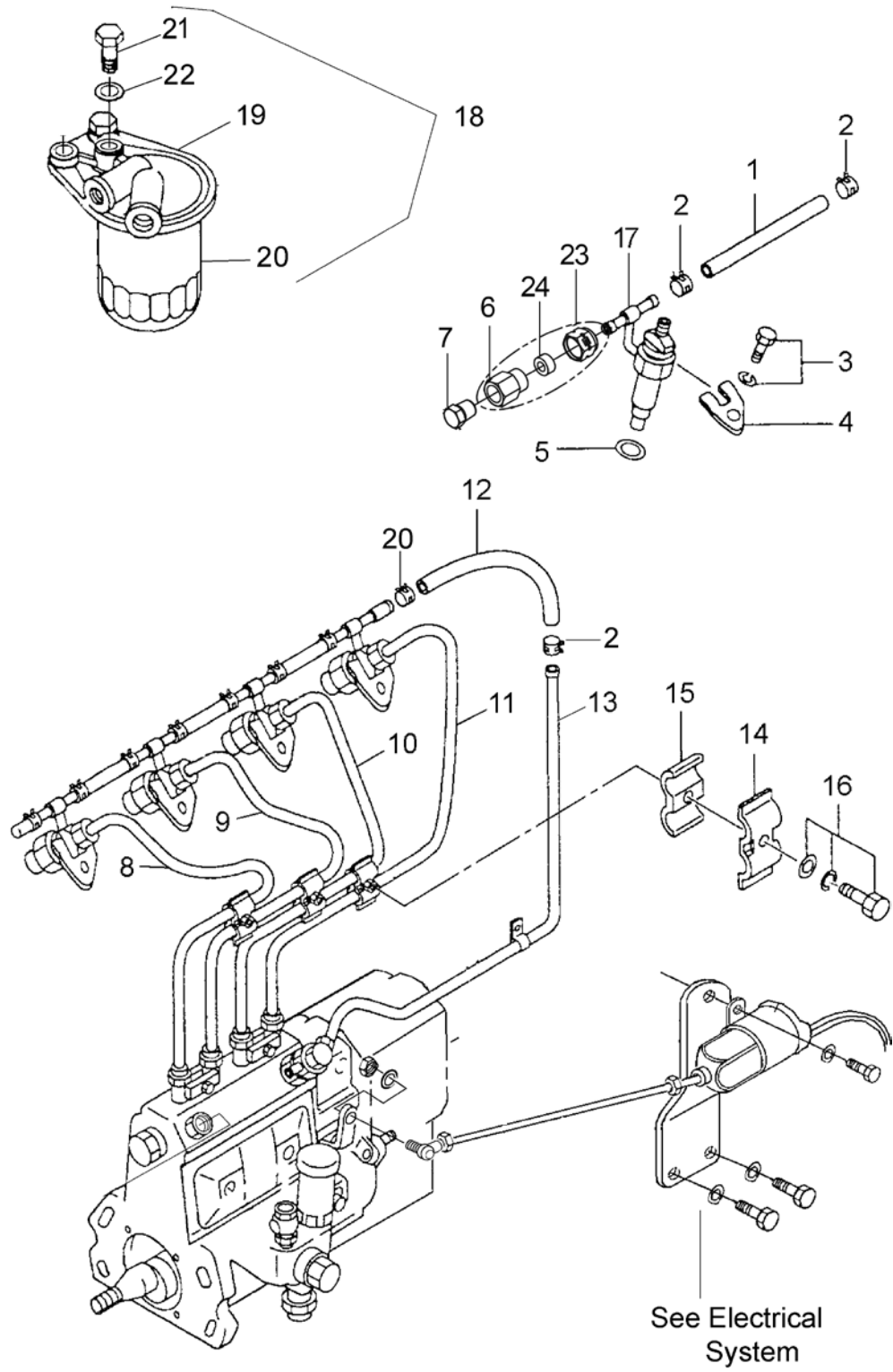
Fuel System

NL944D3

KEY	PART NUMBER	QTY	DESCRIPTION	SERIAL NUMBER
••	3446200011	1	Fuel Filter Head Assembly (see Assembly detail, includes keys 14-15)	-
1	MDO68353	4	Nut	-
2	MDO68355	4	Gasket, Fuel Return	-
3	MDO70717	4	Gasket	-
4	32A6159100	1	Injection Line No. 1	-
5	32A6159200	1	Injection Line No. 2	-
6	32A6159300	1	Injection Line No. 3	-
7	32B6102400	1	Injection Line No. 4	-
8	MM430703	3	Clamp	-
9	MM430614	3	Clamp	-
10	MF243628	3	Bolt with washer	-
11	32A6104100	1	Fuel Leak-off Tube	-
12	32C6106000	4	Injector	-
13	3446200201	1	Adapter Head	-
14	MH037084	1	Plug	-
15	0594600801	1	Sealing Washer	-
16	24-51201	1	Element	-
17	23-51204	1	Bracket, Fuel Filter Support	-
18	21-75005	2	Spacer	-
19	12-00701	2	Capscrew, Hex Head M8 x 1.25 x 110 mm	-
20	15-00701	2	Flat Washer M8	-
21	12-00814	2	Capscrew, Hex Head M10 x 1.5 x 35 mm	-
22	15-00805	2	Flat Washer, M10	-
23	15-00802	2	Lock Washer, Helical M10	-
24	14-00811	2	Hex Nut, M10 x 1.5	-
25	21-56802	1	Male Connector, Steel 3/8-37T x M14 x 1.5	-
26	21-71034	1	Female Swivel, Brass 3/8 HB x 3/8-37T (Push-on)	-
27	07005-01412	7	Sealing Washer, Bonded M14	-
28	MH037087	3	Banjo Bolt	-
29	41-01020	42"	Hose 3/8" I.D. -40 to +212°F Push-on	-
30	21-51209	3	Banjo Fitting, Steel M14 x 3/8 HB Push-on	-
31	19-50003	2	Clamp, Double Tie-wrap	-

Fuel System

M944T3 - M40C3




FORWARD

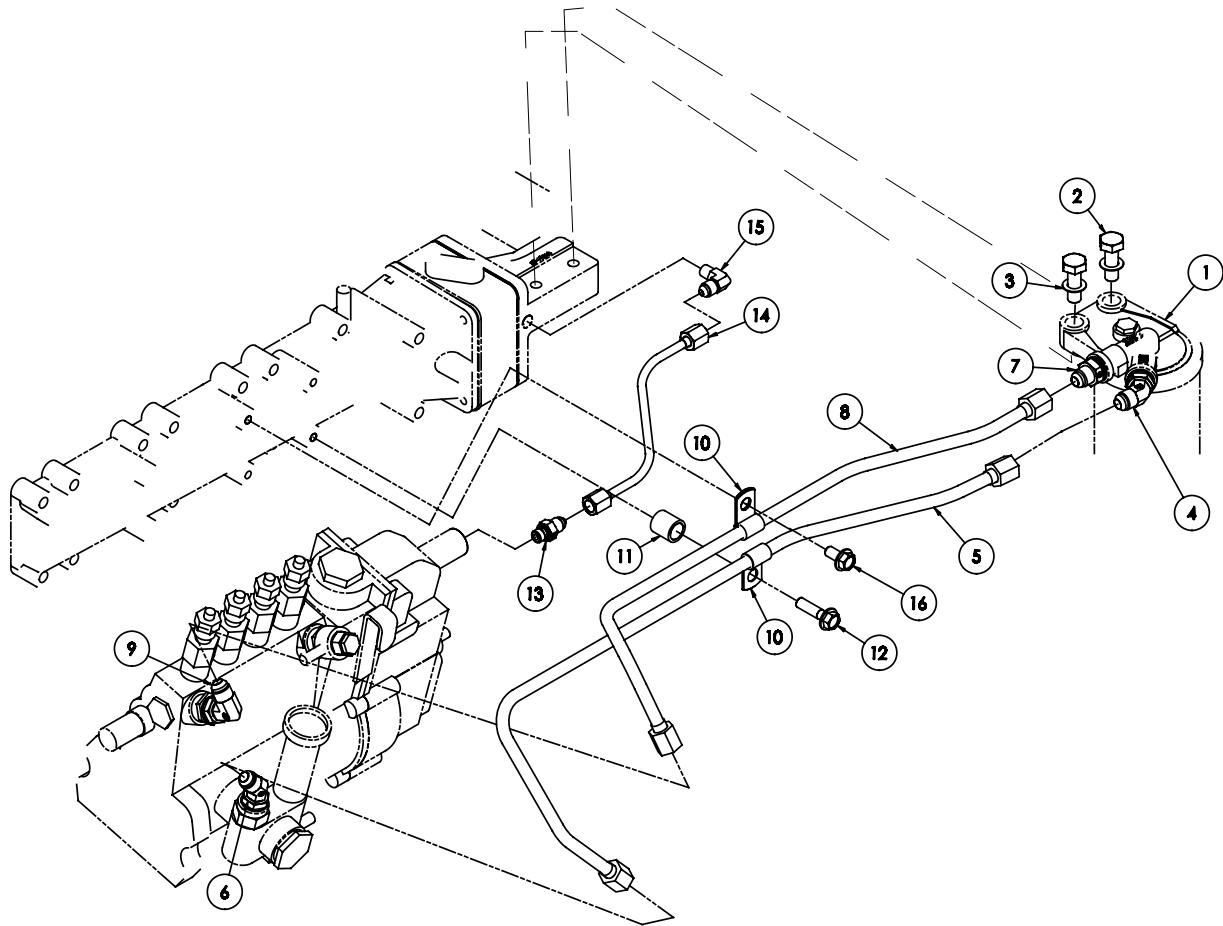
32B6138Efuelsystem

Fuel System				
M944T3 - M40C3				
KEY	PART NUMBER	QTY	DESCRIPTION	SERIAL NUMBER
1	18-51208	3	Hose 1/4" ID x 4"	-
2	19-50113	8	Hose Clamp #13 S/S	-
3	MF241257	4	Bolt with washer	-
4	MM43713701	4	Nozzle Support	-
5	32A6156900	4	Nozzle Gasket	-
6	21-51207	1	Female Connector 1/8 NPT x 1/4" Compression *	-
7	21-00012	1	Plug 1/8 NPT *	-
8	32A6135100	1	Injection Line No. 1	-
9	32A6135200	1	Injection Line No. 2	-
10	32A6135300	1	Injection Line No. 3	-
11	32A6135400	1	Injection Line No. 4	-
12	18-51209	1	Hose 1/4" ID x 5-1/2"	-
13	32A6135600	1	Fuel Return Line (with 5/16" & 1/4" Hose Barb Connections)	-
	27-51226	1	Fuel Return Line (with 5/16" JIC Connector - No Hose Barb Opposite End)	-
	27-51227	1	Fuel Return Line (with 5/16" JIC Connector & 1/4" Hose Barb Opposite End)	-
14	MM430703	3	1/2 Clamp	-
15	MM430614	3	1/2 Clamp	-
16	MF243628	3	Bolt with Washer	-
17	32A6103040	4	Injection Nozzle	-
18	3446200011	1	Fuel Filter Assembly (includes keys 19-22)	-
19	3446200201	1	Adapter Head	-
20	24-51201	1	Element	-
21	MH037084	1	Plug	-
22	0594600801	1	Sealing Washer	-
23	21-51206	1	Tube Nut *	-
24	21-55710	1	Sealing Sleeve *	-
			* Available as assembly with #7 plug = 21-51200	

GROUP 4 – FUEL SYSTEM

Fuel Filter

M944T3 & M40C3



C-7107B

Fuel Filter

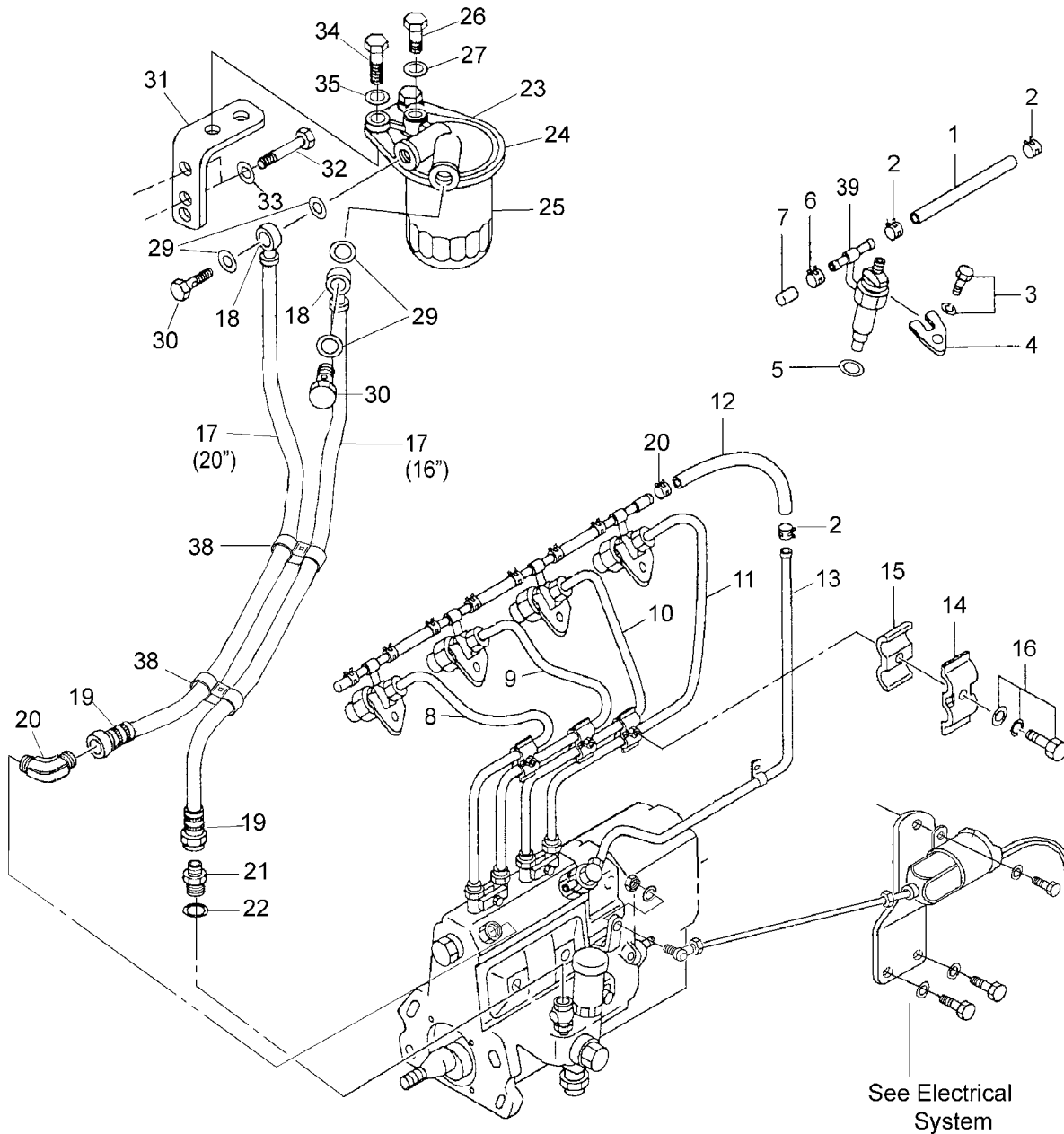
M944T3 & M40C3

KEY	PART NUMBER	QTY	DESCRIPTION	SERIAL NUMBER
1	3446200011	1	Fuel Filter Head Assembly (With Element)	-
2	12-09832	2	Capscrew, Hex Head M10x1.5 X 30mm S/s (316)	-
3	15-99804	2	Wave Washer M10 S/S	-
4	21-54902	1	Male Elbow 45, stl. M14x1.5 X 3/8-37T	-
5	27-51217	1	Tube, Fuel Filter Inlet	-
6	21-54902	1	Male Elbow 45°, steel M14x1.5 X 3/8-37T	-
7	21-56802	1	Male Connector, Steel 3/8-37T X M14x1.5	-
8	27-51218	1	Tube, Fuel Filter Outlet	-
9	21-54901	1	Male Elbow 90°, Steel M14x1.5 X 3/8-37T	-
10	19-72252	2	Adelle Clamp 3/8"ID X 3/8" Stud	-
11	21-42241	1	Spacer, BP. 1/4 SCHED 40 X 3/4"	-
12	01435-00830	1	Capscrew, Hex Head, Flanged M8x1.25 X 30mm Grade 10.9	-
13	21-59528	1	Male Connector, Steel 1/4-37T X M10x1.0 (14mm Hex)	-
14	27-01203	1	Tube Assy, Aneroid Connection	-
15	21-71053	1	Male Elbow 90°, Steel 1/8MPT X 1/4-37T	-
16	01435-00816	1	Capscrew, Hex Head Flanged M8x1.25 X 16mm Grade 10.9	-

GROUP 4 – FUEL SYSTEM

Fuel System

NL944T3



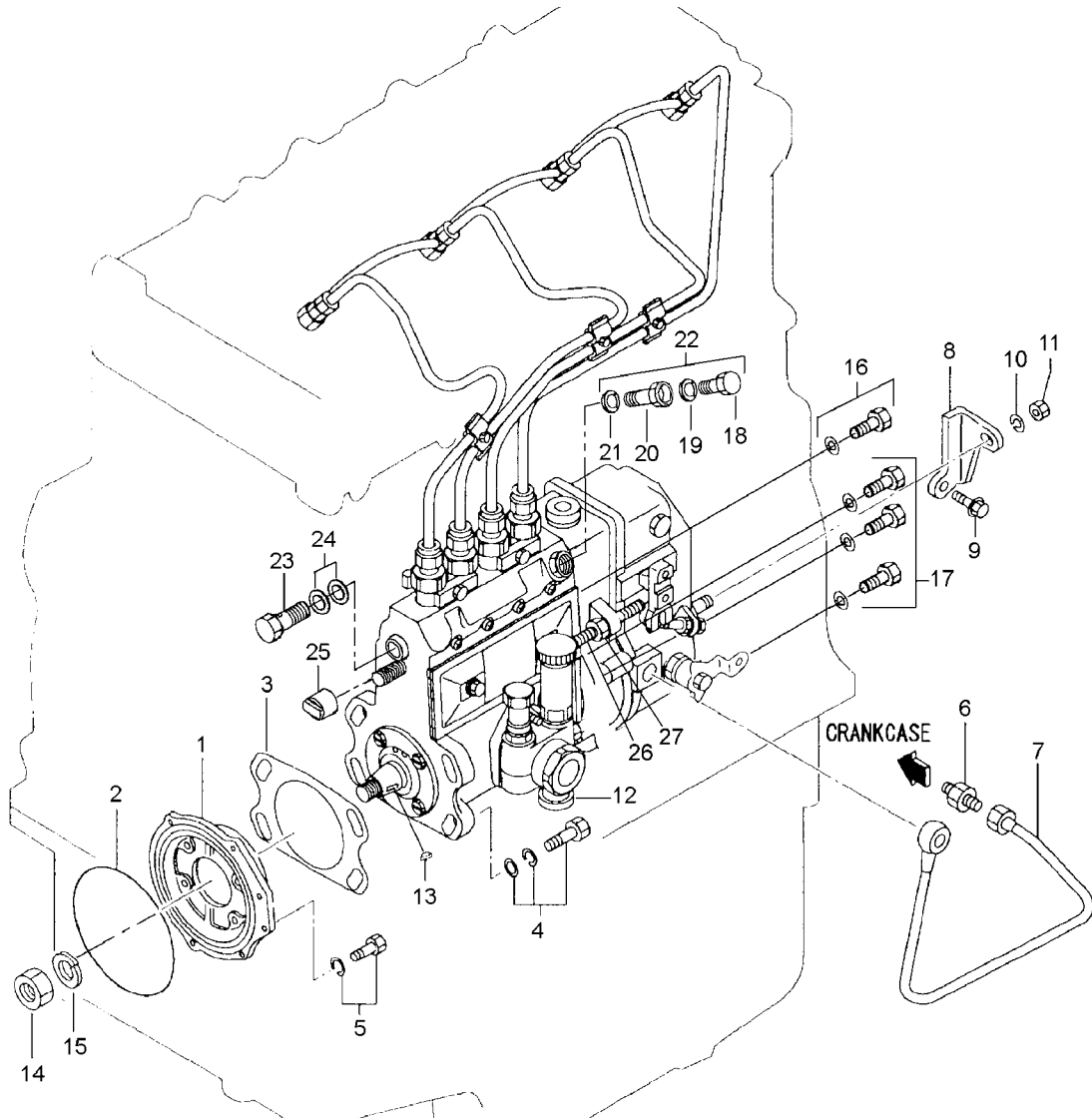

FORWARD

32B6138Efuelsystem

Fuel System				
				NL944T3
KEY	PART NUMBER	QTY	DESCRIPTION	SERIAL NUMBER
1	MS602011	3	Hose	-
2	MS660163	9	Hose Clamp	-
3	MF241257	4	Bolt with washer	-
4	MM43713701	4	Nozzle Support	-
5	32A6158900	4	Nozzle Gasket	-
6	MS660163	1	Hose Clamp	-
7	ME016571	1	Cap	-
8	32A6135100	1	Injection Line No. 1	-
9	32A6135200	1	Injection Line No. 2	-
10	32A6135300	1	Injection Line No. 3	-
11	32A6135400	1	Injection Line No. 4	-
12	MS602901	1	Hose	-
13	32A6135600	1	Fuel Return Line	-
14	MM430703	3	1/2 Clamp	-
15	MM430614	3	1/2 Clamp	-
16	MF243628	3	Bolt with Washer	-
17	41-01020	36"	Hose 3/8" ID (Bulk - Order per inch)	-
18	21-51209	2	Banjo Fitting, Steel M14 x 3/8" Hose Barb (Push-on)	-
19	21-71034	2	Female Swivel, Brass 3/8" Hose Barb x 3/8-37T (Push-on)	-
20	21-54901	1	Male Elbow 90° Steel M14 x 1.5 x 3/8-37T	-
21	21-56802	1	Connector	-
22	07005-01412	1	Sealing Washer M14	-
23	3446200011	1	Fuel Filter Assembly (includes keys 24-27, 29)	-
24	3446200201	1	Adapter Head	-
25	24-51201	1	Element	-
26	MH037084	1	Plug	-
27	0594600801	1	Sealing Washer	-
28	F180510025	2	Bolt with washer	-
29	07005-01412	4	Sealing Washer M14	-
30	MH037087	2	Banjo Bolt	-
31	23-51204	1	Bracket, Fuel Filter Support	-
32	12-00711	2	Capscrew, Hex Head M8 x 1.25 x 20 mm	-
33	15-00701	2	Flat Washer M8	-
34	12-00814	2	Capscrew, Hex Head M10 x 1.5 x 35 mm	-
35	15-00805	2	Flat Washer M10	-
36	15-00802	2	Lock Washer M10	-
37	14-00811	2	Hex Nut M10 x 1.5	-
38	19-50003	2	Clamp, Double Tie-wrap	-
39	32A6103040	4	Injection Nozzle	-

Injection Pump

M944W3, M30CW3, & NL944D3



32B6541

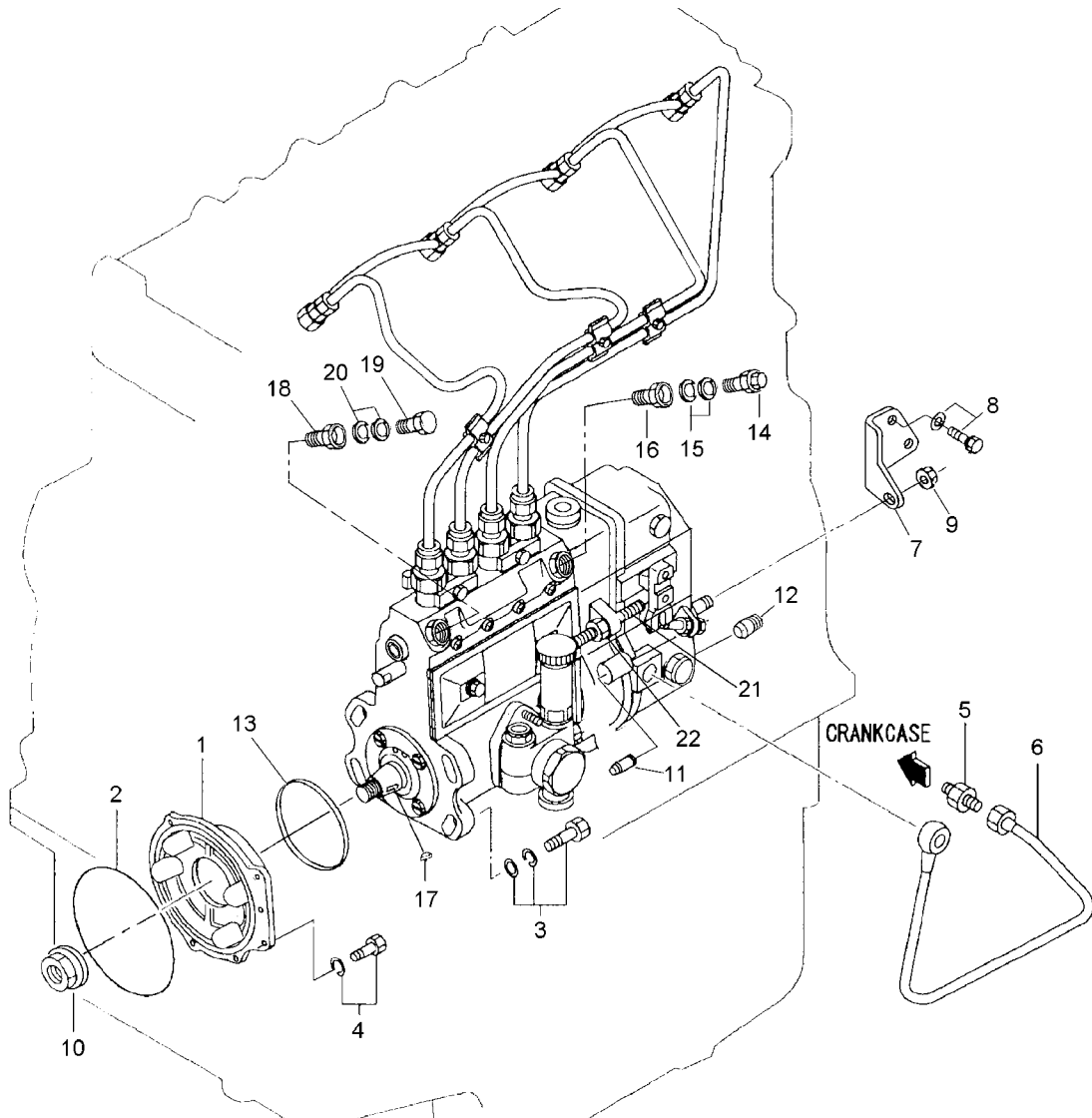
Injection Pump

M944W3, M30CW3, & NL944D3

KEY	PART NUMBER	QTY	DESCRIPTION	S/N
••	32A6501740	1	Injection Pump Assembly, 1500/ 1800 RPM (includes keys 12, 14-15)	-
1	32A6101201	1	Flange	-
2	0601613140	1	O-ring	-
3	3066151300	1	Gasket	-
4	F201510035	4	Bolt with Washer	-
5	MF241253	1	Bolt with Washer	-
6	F444006300	1	Connector	-
7	32A3630100	1	Oil Pipe	-
8	32A6100900	1	Bracket	-
9	32A1302700	1	Flange Bolt	-
10	F251508000	1	Spring Washer	-
11	F230008000	1	Lock Nut	-
12	3446109050	1	Feed Pump Assembly (see parts detail)	-
13	9491300190	1	Key	-
14	9490502450	1	Hex Nut	-
15	9490150500	1	Spring Washer	-
16	9151808221	1	Bolt with Washer	-
17	9141806161	6	Bolt with Washer	-
18	0902440010	1	Air Bleed Bolt	-
19	8526500016	1	Packing Washer	-
	0902430030	1	Packing Washer (NL944D3)	-
20	8526500013	1	Female Adapter	-
	0902420010	1	Female Adapter (NL944D3)	-
21	MM500486	1	Washer	-
22	0902400010	1	Air Bleed off Sub-Assembly (includes keys 18-21)	-
23	8526500078	1	Banjo Bolt	-
	9491800310	1	Banjo Bolt (NL944D3)	-
24	8526500079	2	Washer	-
	0902220071	2	Washer (NL944D3)	-
25	0900180081	1	Cover, Governor	-
26	0910240260	1	Adjusting Screw	-
27	9019008051	1	Lock Nut	-

Injection Pump

M944T3 - M40C3 - NL944T3



32B6541forNL944T3

Injection Pump

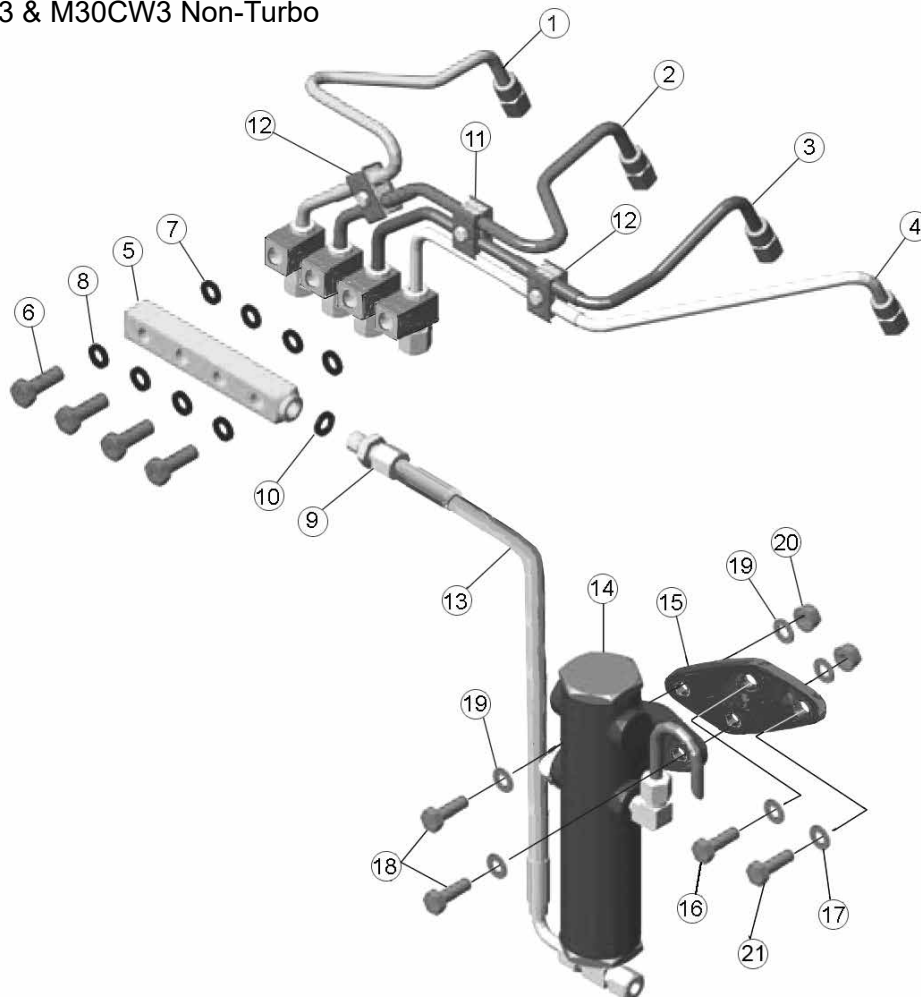
M944T3 - M40C3 - NL944T3

KEY	PART NUMBER	QTY	DESCRIPTION	S/N
••	32A6504710	1	Injection Pump Assembly, 1500/ 1800 RPM (includes keys 11-12)	-
1	32A6101301	1	Flange	-
2	0601613140	1	O-ring	-
3	F201510035	4	Bolt with Washer	-
4	MF241253	1	Bolt with Washer	-
5	F444006300	1	Connector	-
6	32A3630100	1	Oil Pipe	-
7	32A6135800	1	Bracket	-
8	MF241264	2	Bolt with Washer	-
9	0563331000	1	Flange Nut	-
10	MH004177	1	Flange Nut	-
11	3436107100	1	Cap	-
12	3436107600	1	Cap	-
13	0296375020	1	O-ring	-
14	1314245720	1	Overflow Valve	-
15	0293412140	2	Gasket	-
16	1310024800	1	Adapter	-
17	0294704030	1	Woodruff Key	-
18	1310024700	1	Adapter	-
19	1398140900	1	Banjo Bolt	-
20	0293414130	2	Gasket	-
21	1540135000	1	Adjusting Screw	-
22	1540110100	1	Lock Nut	-

GROUP 4 – FUEL SYSTEM

Double Wall Injection Lines & Alarm Tank

M944W3 & M30CW3 Non-Turbo

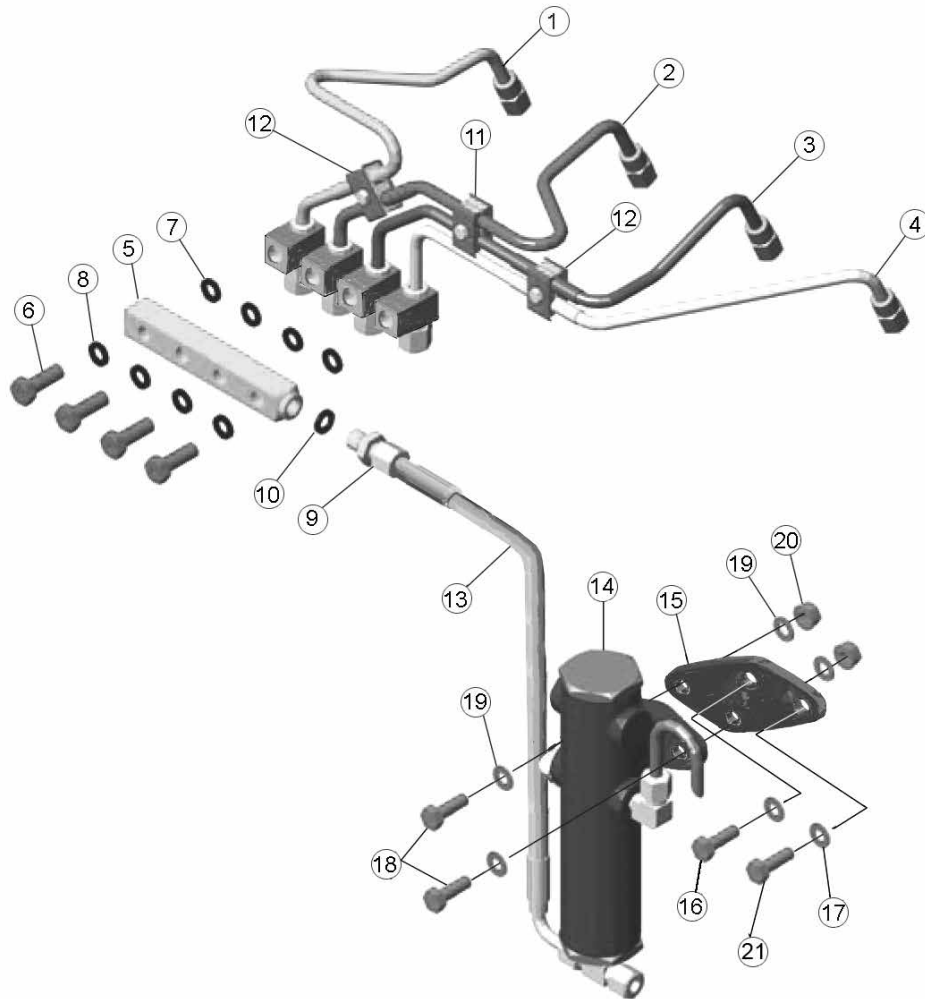


A-11493/ ST15033-1

KEY	PART NUMBER	QTY	DESCRIPTION	SERIAL NUMBER
1	27-51211	1	Injection Line #1 Double Wall	-
2	27-51212	1	Injection Line #2 Double Wall	-
3	27-51213	1	Injection Line #3 Double Wall	-
4	27-51214	1	Injection Line #4 Double Wall	-
5	10-58701	1	Manifold, Fuel Alarm	-
6	21-55707	4	Banjo Bolt, Leak Indicator Type	-
7	16-55701	4	O-ring	-
8	15-55701	4	Banjo Washer	-
9	21-55702	1	Male Connector Steel	-
10	15-00042	1	Sealing Washer	-
11	19-55002	1	Clamp Assembly, 2 Lines	-
12	19-51201	2	Clamp Assembly, 2 Lines	-
13	18-51203	1	Hose Assembly 1/4" I.D. x 25-1/2"	-
14	10-50002	1	Alarm Tank Assembly	-
15	23-51201	1	Bracket	-
16	12-00953	1	Capscrew, Hex Head M12 x 1.75 x 30 mm	-
17	15-00912	2	Lock Washer, Helical M12	-
18	12-00753	2	Capscrew, Hex Head M8 x 1.25 x 30 mm	-
19	15-00701	4	Flat Washer M8	-
20	14-04802	2	Hex Nut, Nylock M8 x 1.25	-
21	12-00954	1	Capscrew, Hex Head M12 x 1.75 x 35mm	-

Double Wall Injection Lines & Alarm Tank

M944T3



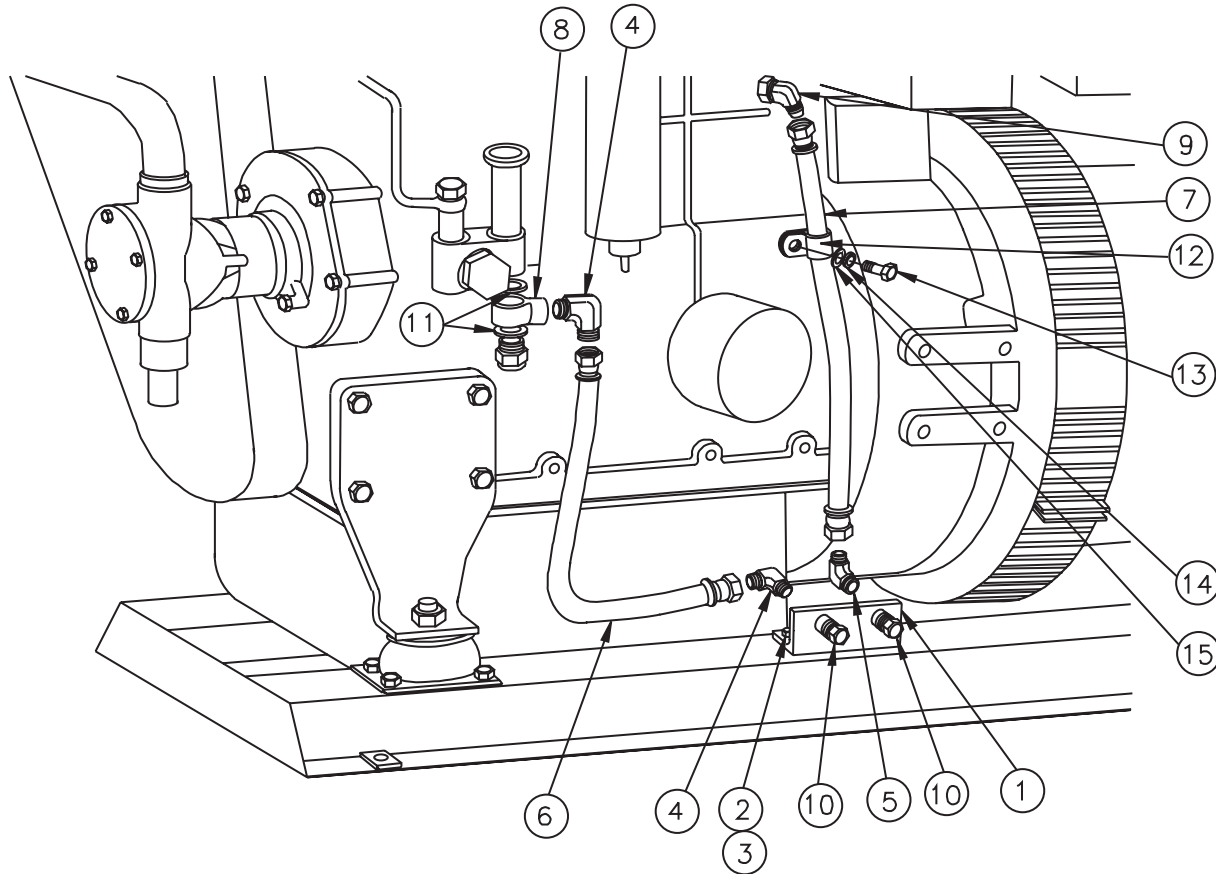
A-11493/ ST15033-1

KEY	PART NUMBER	QTY	DESCRIPTION	SERIAL NUMBER
1	27-51231	1	Injection Line #1 Double Wall	-
2	27-51232	1	Injection Line #2 Double Wall	-
3	27-51233	1	Injection Line #3 Double Wall	-
4	27-51234	1	Injection Line #4 Double Wall	-
5	10-58701	1	Manifold, Fuel Alarm	-
6	21-55707	4	Banjo Bolt, Leak Indicator Type	-
7	16-55701	4	O-ring	-
8	15-55701	4	Banjo Washer	-
9	21-55702	1	Male Connector Steel	-
10	15-00042	1	Sealing Washer	-
11	19-55002	1	Clamp Assembly, 2 Lines	-
12	19-51201	2	Clamp Assembly, 2 Lines	-
13	18-51203	1	Hose Assembly 1/4" I.D. x 25-1/2"	-
14	10-50002	1	Alarm Tank Assembly	-
15	23-51201	1	Bracket	-
16	12-00953	1	Capscrew, Hex Head M12 x 1.75 x 30 mm	-
17	15-00912	2	Lock Washer, Helical M12	-
18	12-00753	2	Capscrew, Hex Head M8 x 1.25 x 30 mm	-
19	15-00701	4	Flat Washer M8	-
20	14-04802	2	Hex Nut, Nylock M8 x 1.25	-
21	12-00954	1	Capscrew, Hex Head M12 x 1.75 x 35mm	-

GROUP 4 – FUEL SYSTEM

A-1 SAE J1527 - ISO 7840 USCG Fuel Lines

M944 up to S/N xxxx-47262C

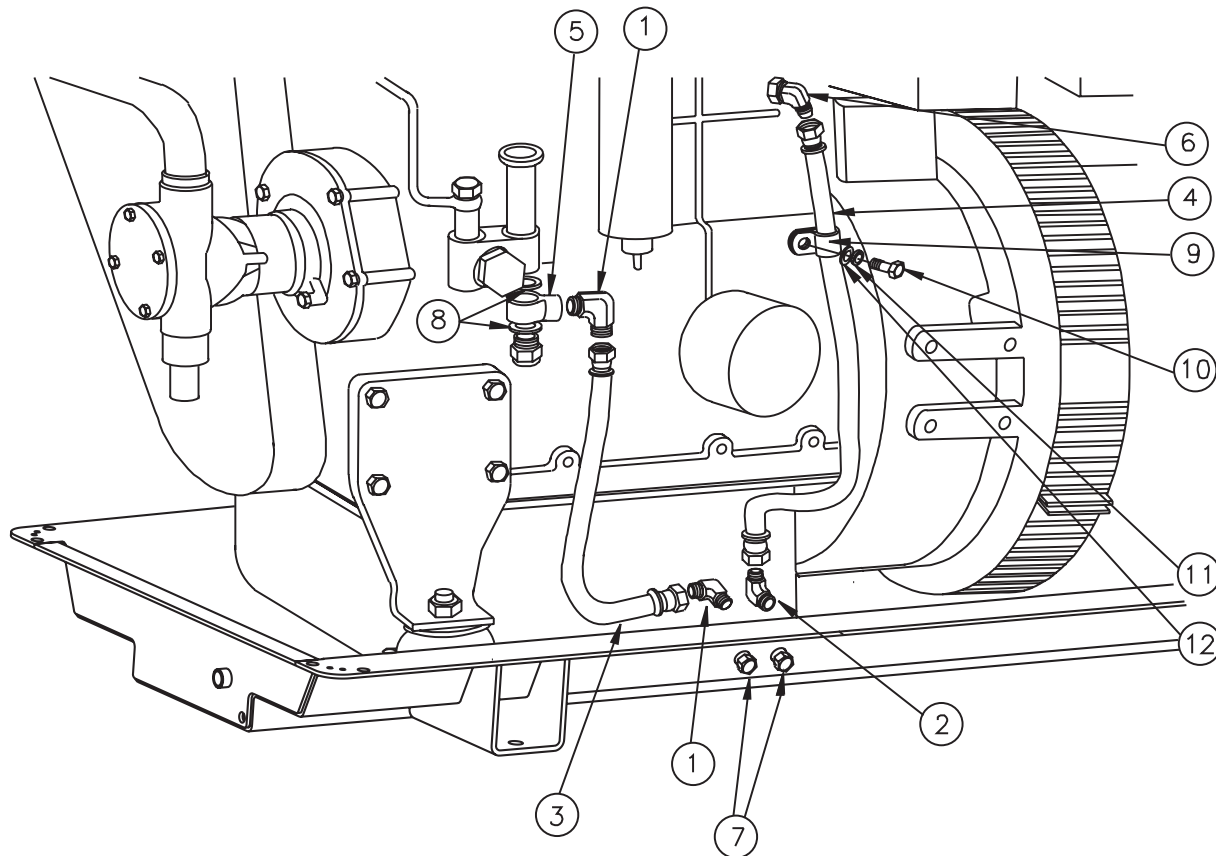


A-11857/ B-9081

KEY	PART NUMBER	QTY	DESCRIPTION	SERIAL NUMBER
1	10-51099	1	Manifold, Fuel Line Connection	-
2	12-01102	2	Capscrew, Hex Head M6 x 1.0 x 16 mm S/S	-
3	15-00610	2	Lock Washer, Helical M6 S/S	-
4	21-52245	2	Male Elbow, 90° Brass 1/4 NPT x 5/16- 45T	-
5	21-71044	1	Male Elbow, 90° Brass 1/4 NPT x 1/4- 45T	-
6	18-51204	1	Hose Assembly 5/16" I.D. x 19"	-
7	18-51205	1	Hose Assembly 1/4" I.D. x 23"	-
8	21-52203	1	Banjo Fitting, Steel M14 x 1/4 NPT	-
9	21-51201	1	Male Elbow, 45° Swivel Steel 1/4- 37T x M10	-
10	21-31624	2	Plug, Hex Head Brass (for shipping)	-
11	07005-01412	2	Sealing Washer	-
12	19-43201	1	Adelle Clamp, 1/2" I.D. x 3/8" Stud	-
13	12-09751	1	Capscrew, Hex Head M8 x 1.25 x 16 mm S/S	-
14	15-00705	1	Lock Washer, Helical M8 S/S	-
15	15-00706	1	Flat Washer, M8 S/S	-

A-1 SAE J1527 - ISO 7840 USCG Fuel Lines

M944 from S/N xxxx-47263C



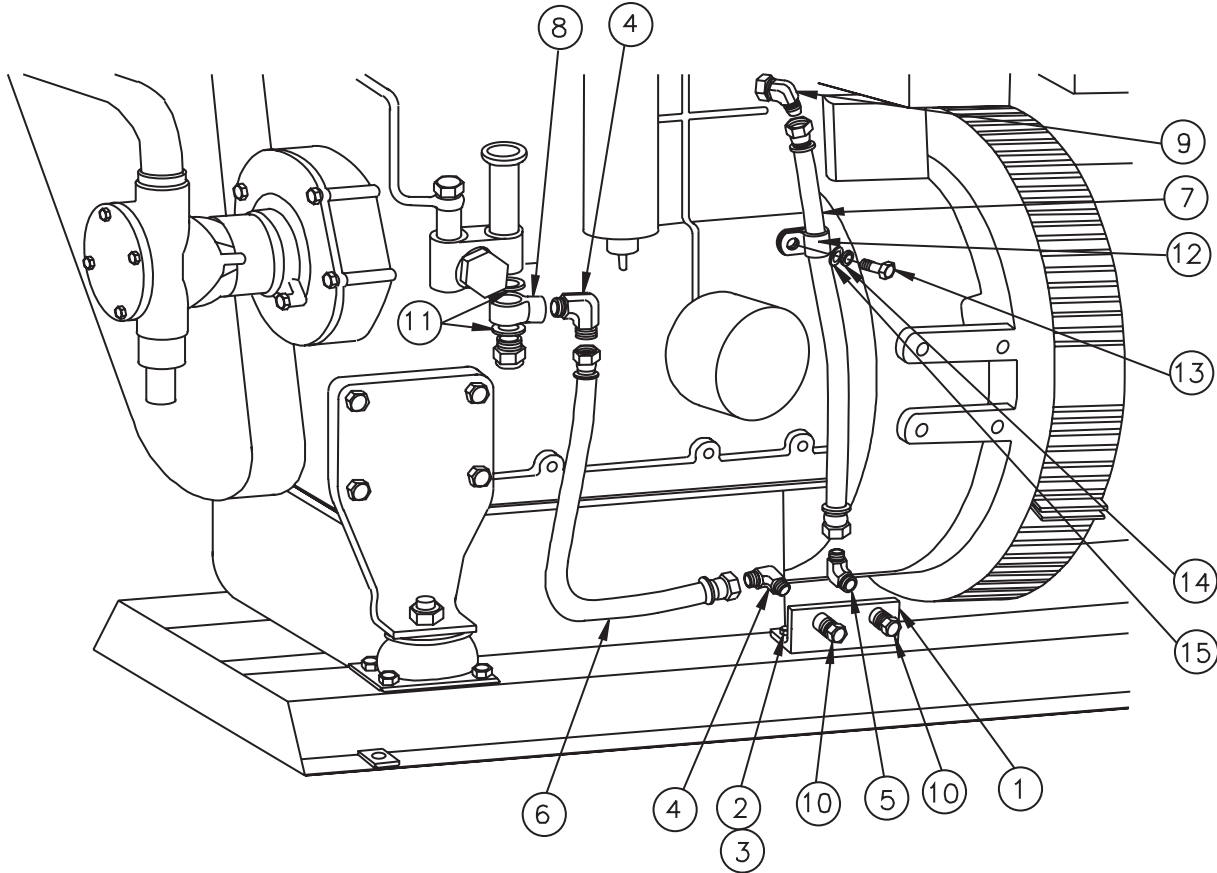
A-11857/ B-9081a

KEY	PART NUMBER	QTY	DESCRIPTION	SERIAL NUMBER
1	21-52245	2	Male Elbow, 90° Brass 1/4 NPT x 5/16- 45T	-
2	21-50054	1	Male Elbow, 45° Brass 1/4 NPT x 1/4- 45T	-
3	18-51204	1	Hose Assembly 5/16" I.D. x 19" 5/16 FMS x 5/16 FMS	-
4	18-51205	1	Hose Assembly 1/4" I.D. x 23" 1/4 FMS x 1/4 FMS	-
5	21-52203	1	Banjo Fitting, Steel M14 x 1/4 NPT FEMALE	-
6	21-51201	1	Male Elbow, 45° Swivel Steel 1/4- 37T x M10 x 1.25 - 45 Degree Seat	-
7	21-31624	2	Plug, Hex Head Brass 1/4 NPT	-
8	07005-01412	2	Sealing Washer, Bonded M14	-
9	19-43201	1	Adelle Clamp, 1/2" I.D. x 3/8" Stud	-
10	12-09751	1	Capscrew, Hex Head M8 x 1.25 x 16 mm S/S (316)	-
11	15-00705	1	Lock Washer, Helical M8 S/S (316)	-
12	15-00706	1	Flat Washer, M8 S/S (316)	-

GROUP 4 – FUEL SYSTEM

USCG A-1 SAE J1942 - ABS Fuel Lines

M944 up to xxxx-47262C

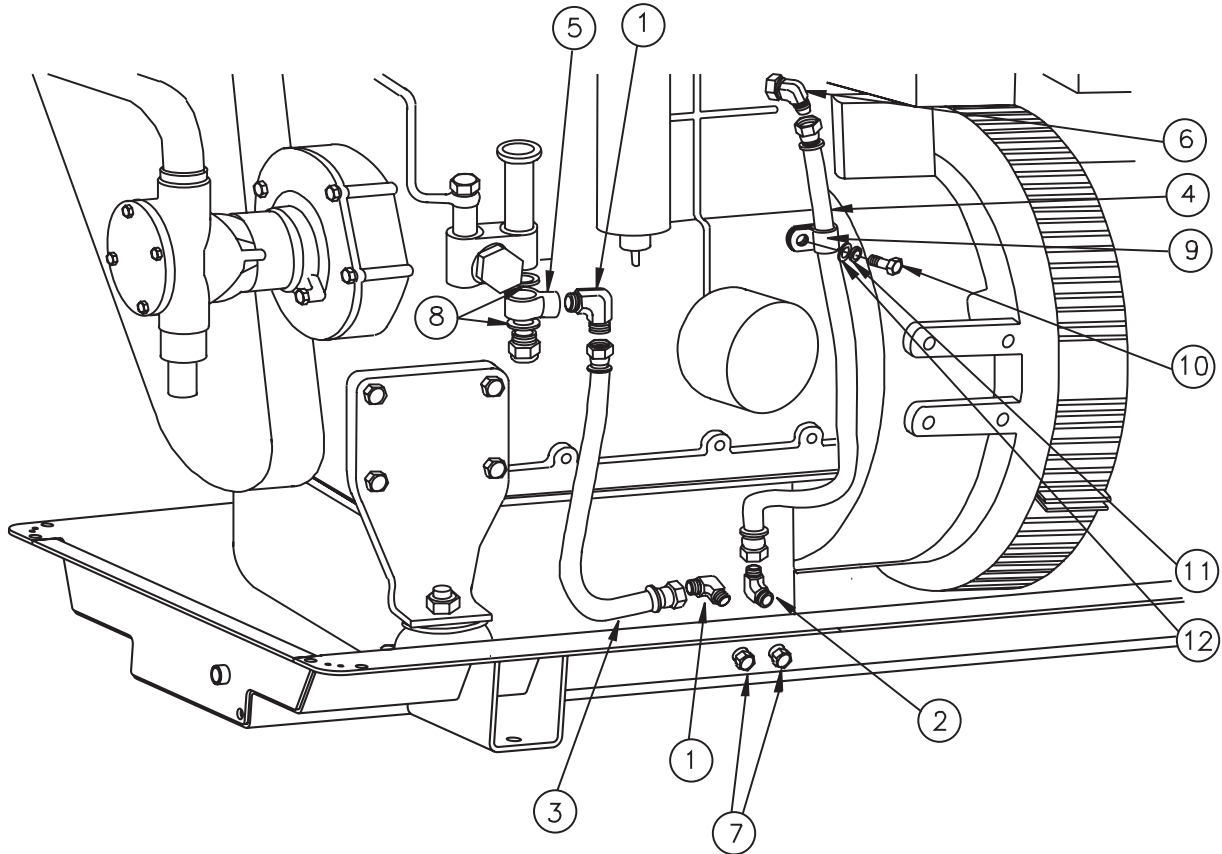


A-11326/ B-9081

KEY	PART NUMBER	QTY	DESCRIPTION	SERIAL NUMBER
1	10-51099	1	Manifold, Fuel Line Connection	-
2	12-01102	2	Capscrew, Hex Head M6 x 1.0 x 16 mm S/S	-
3	15-00610	2	Lock Washer, Helical M6 S/S	-
4	21-74411	2	Male Elbow, 90° Steel 1/4 NPT x 5/16- 37T	-
5	21-71049	1	Male Elbow, 90° Brass 1/4 NPT x 1/4- 37T	-
6	18-51210	1	Hose Assembly 1/4" I.D. x 19"	-
7	18-51211	1	Hose Assembly 1/4" I.D. x 23"	-
8	21-52203	1	Banjo Fitting Steel M14 x 1/4 NPT	-
9	21-51201	1	Male Elbow, Swivel Steel 1/4- 37T x M10	-
10	21-31624	2	Plug, Hex Head Brass	-
11	07005-01412	2	Sealing Washer	-
12	19-43201	1	Adelle Clamp 1/2" I.D. x 3/8" Stud	-
13	12-09751	1	Capscrew, Hex Head M8 x 1.25 x 16 mm S/S	-
14	15-00705	1	Lock Washer, Helical M8 S/S	-
15	15-00706	1	Flat Washer, M8 S/S	-

USCG A-1 SAE J1942 - ABS Fuel Lines

M944 from S/N xxxx-47263C



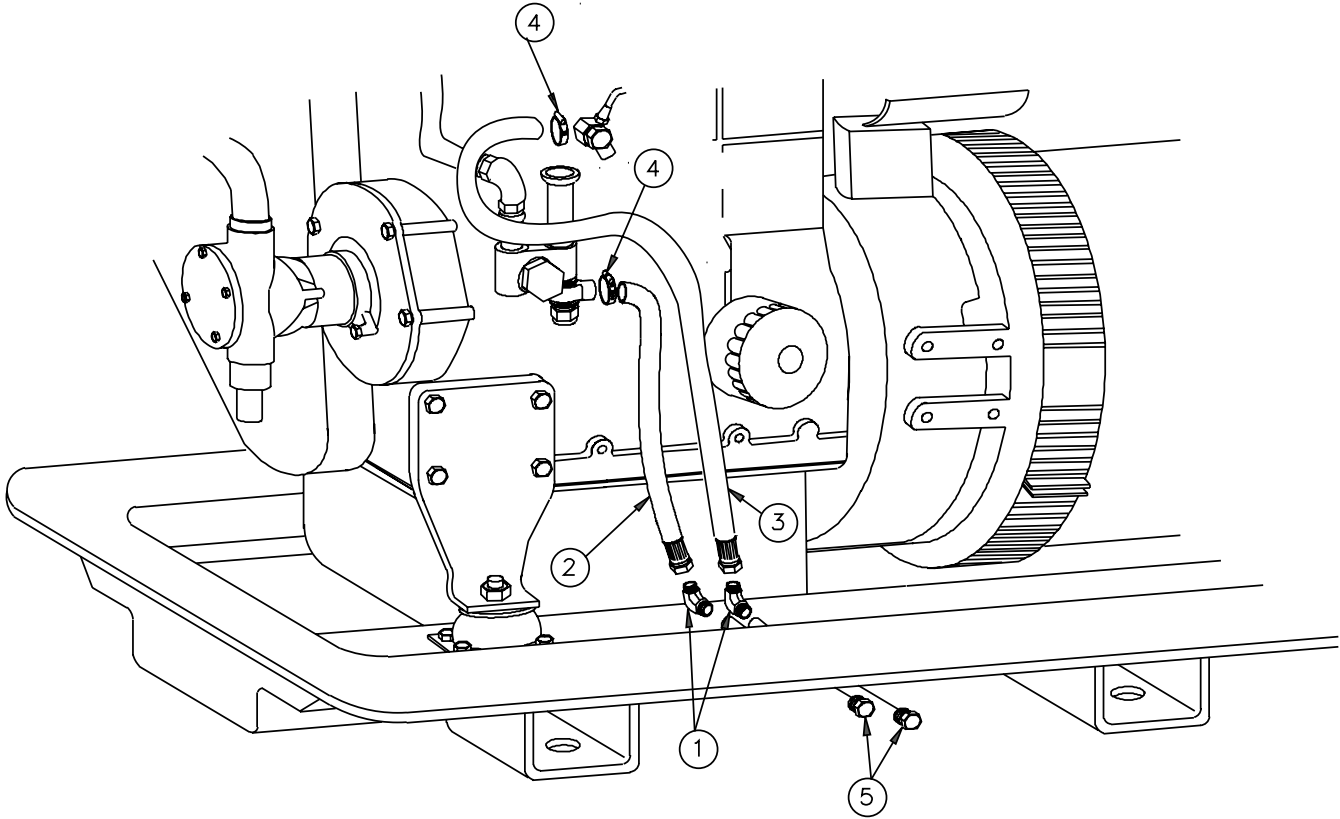
A-11857/ B-9081a

KEY	PART NUMBER	QTY	DESCRIPTION	SERIAL NUMBER
1	21-74411	2	Male Elbow, 90° Steel 1/4 NPT x 5/16- 37T	-
2	21-05404	1	Male Elbow, 45° Steel 1/4 NPT x 1/4- 37T	-
3	18-51210	1	Hose Assembly 1/4" I.D. x 19" 5/16 FMS x 5/16 FMS	-
4	18-51211	1	Hose Assembly 1/4" I.D. x 23" 1/4 FMS x 1/4 FMS	-
5	21-52203	1	Banjo Fitting Steel M14 x 1/4 NPT FEMALE	-
6	21-51201	1	Male Elbow, Swivel Steel 1/4- 37T x M10 x 1.25 - 45 Degree Seat	-
7	21-31624	2	Plug, Hex Head Brass 1/4 NPT	-
8	07005-01412	2	Sealing Washer, Bonded M14	-
9	19-43201	1	Adelle Clamp 1/2" I.D. x 3/8" Stud	-
10	12-09751	1	Capscrew, Hex Head M8 x 1.25 x 16 mm S/S (316)	-
11	15-00705	1	Lock Washer, Helical M8 S/S (316)	-
12	15-00706	1	Flat Washer, M8 S/S (316)	-

GROUP 4 – FUEL SYSTEM

Fuel Lines, USCG A-1 SAE J1527 ISO 7840

M944T3



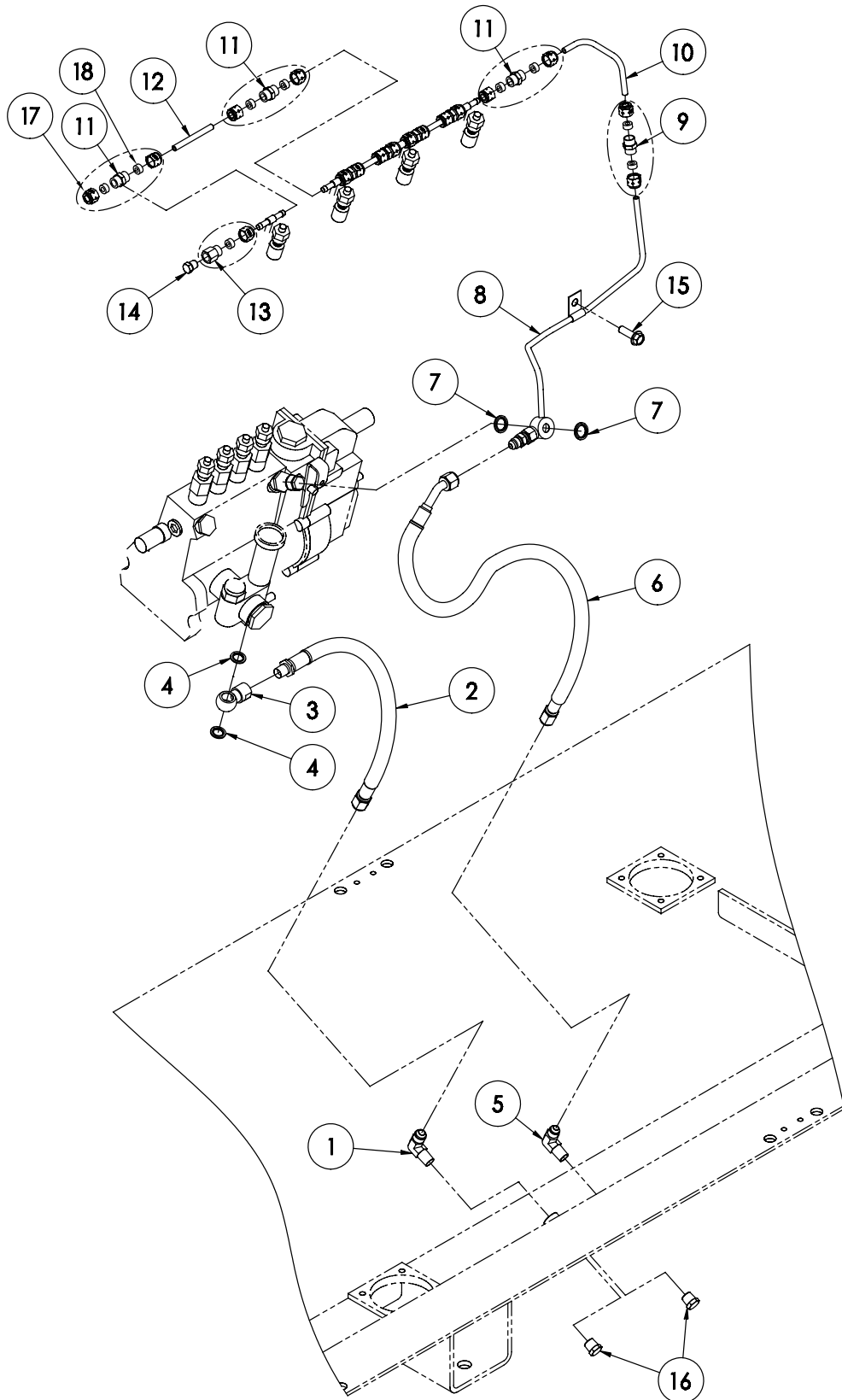
B-9501a

KEY	PART NUMBER	QTY	DESCRIPTION	SERIAL NUMBER
1	21-52245	2	Male Elbow, 90° Brass 1/4 NPT x 5/16-45T	-
2	18-51206	1	Hose Assembly, 5/16" I.D. x 13-1/2"	-
3	18-51232	1	Hose Assembly, 5/16" I.D. x 28"	-
4	19-50115	2	Hose Clamp, #15 S/S	-
5	21-31624	2	Plug, Hex Head Brass 1/4 NPT Solid	-

GROUP 4 – FUEL SYSTEM

Fuel Lines, USCG A-1 SAE J1942 (Plumbed to Base Pan)

M944T3



C-7163

Fuel Lines, USCG A-1 SAE J1942 (Plumbed to Base Pan)

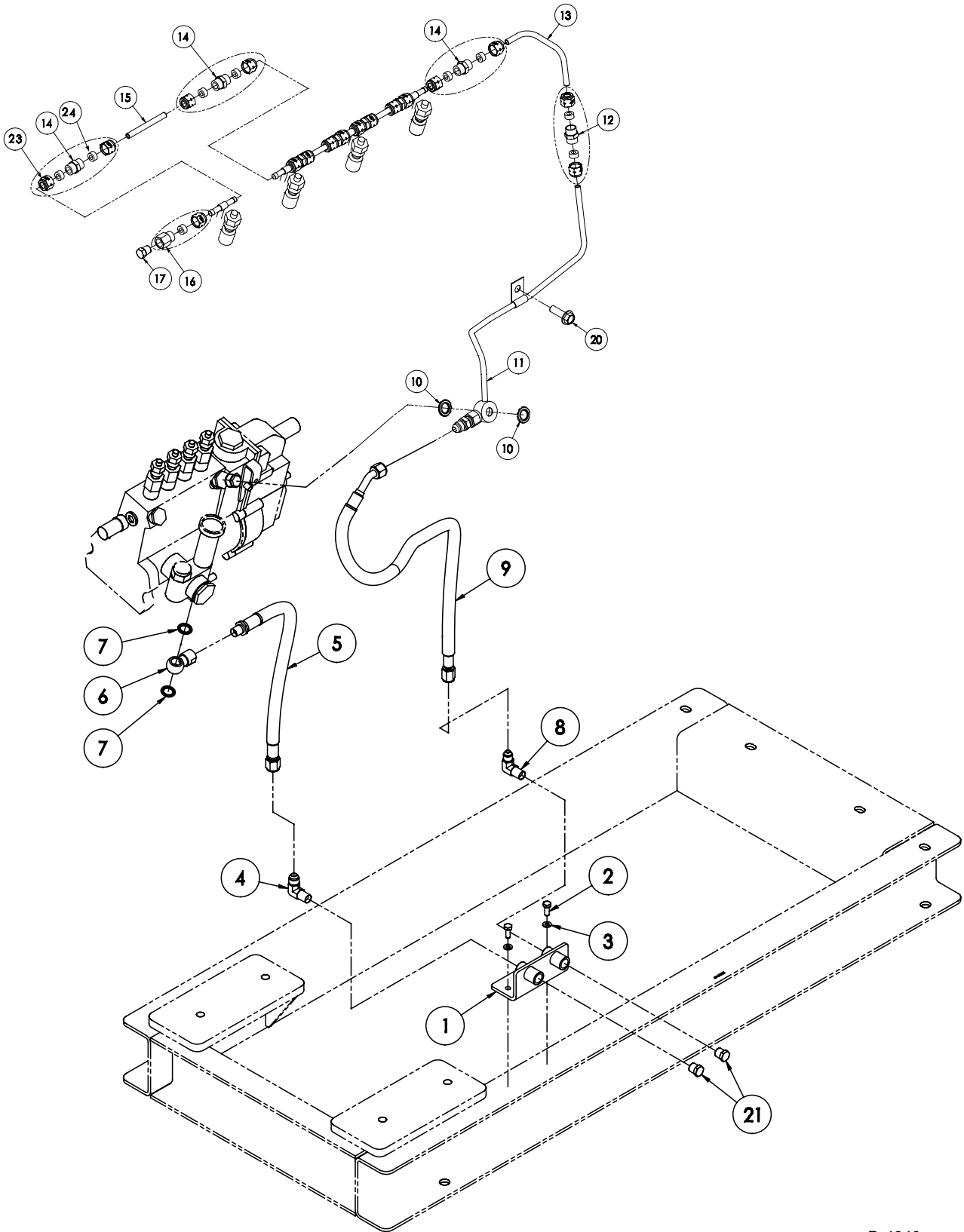
M944T3

KEY	PART NUMBER	QTY	DESCRIPTION	S/N
1	21-00015	1	Male Elbow .90, Steel 1/4NPT c 3/8-37T	-
2	18-51233	1	Hose Assembly 5/16" ID x 15" x 1/4 NPT Male Rigid x 3/8FMS USCG A-1 SAE J1942 ABS	-
3	21-52203	1	Banjo Fitting, Steel, 14mm x 1/4NPT Female	-
4	07005-01412	2	Sealing Washer, Bonded M14	-
5	21-74411	1	Male Elbow .90, Steel 1/4 NPT x 5/16-37T	-
6	18-51230	1	Hose Assembly 1/4" ID x 24" 5/16 FMS 45 x 5/16 FMS USCG A-1 SAE J1942 ABS	-
7	07005-01212	2	Sealing Washer M12	-
8	27-51226	1	Tube Assembly, Fuel, Return (with 5/16 - 37T JIC Connector	-
9	21-51205-1	1	Tube Union, Brass. 1/4" Tube Comp	-
10	38-51228	1	Tube, Fuel Return	-
11	21-51205	7	Tube Union, Brass 1/4" Tube Comp	-
12	27-51203	3	Tube, Fuel Leak-Off 1/4" OD x 62mm	-
13	21-51207	1	Female Connector, Brass 1/8 NPT x 1/4" Tube Comp	-
14	21-00012	1	Plug, Hex Head, Brass 1/8 NPT	-
15	01435-00816	1	Capscrew, Hex Head, Flanged, M8 x 1.25 x 16 mm Grade 10.9	-
16	21-31624	2	Plug, Hex Head, Brass 1/4 NPT	-
17	21-51206	**	Tube Nut	-
18	21-55710	**	Sleeve (Viton)	-
			** As Required	

GROUP 4 – FUEL SYSTEM

Fuel Lines, USCG A-1 SAE J1942 (Plumbed to Base Frame)

M40C3



D-4840

Fuel Lines, USCG A-1 SAE J1942 (Plumbed to Base Frame)

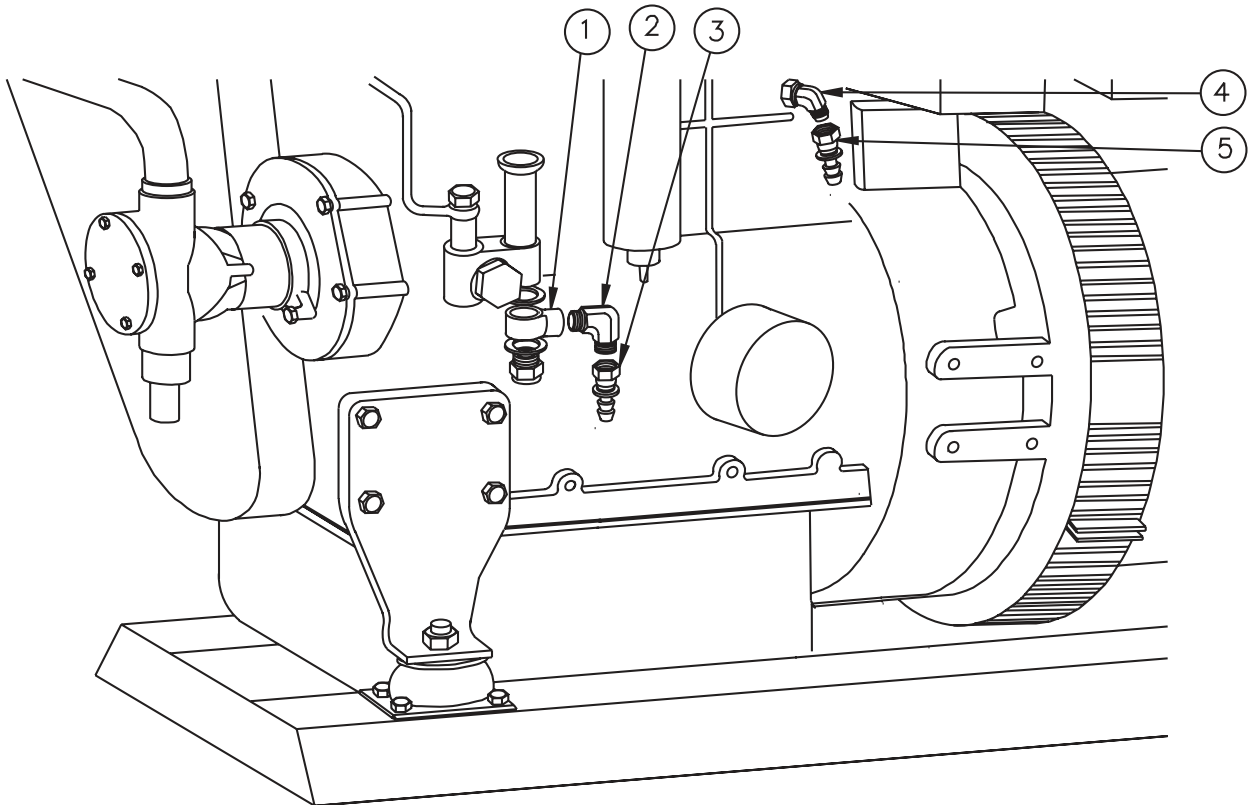
M40C3

KEY	PART NUMBER	QTY	DESCRIPTION	S/N
1	10-51099	1	Manifold, Fuel Line Connection 1/4 NPT	-
2	21-01102	2	Capscrew, Hex Head M6 x 1.0 x 16mm S/S	-
3	15-00610	2	Lock Washer, Helical M6 S/S (316)	-
4	21-00015	1	Male Elbowm 90, Steel 1/4 NPT x 3/8 - 37T	-
5	18-52133	1	Hose Assembly 5/16" ID, 15" 1/4 NPT Male Rigid x 3/8 FMS USCG A-1 SAE J1942 ABS	-
6	21-52203	1	Banjo Fitting, Steel. 14mm x 1/4 NPT Female	-
7	07005-01412	2	Sealing Washer, Bonded M14	-
8	21-74411	1	Male Elbow.90, Steel 1/4 NPT x 5/16-37T	-
9	18-51230	1	Hose Assembly 1/4" ID x 24" 5/16 FMS45 x 5/16 FNS USCG A-1 SAE J1942 ABS	-
10	07005-01212	2	Sealing Washer, Bonded M12	-
11	27-51226	1	Tube Assembly, Fuel Return (with 5/16 - 37T JIC Connector - No Barb on Opposite End)	-
12	21-51205-1	1	Tube Union, Brass, 1/4" Tube Comp (1/2-24 Vibra-Lok)* (Assembly With 2 Tube Nuts & 2 Seals Viton Red Stripe)	-
13	27-51228	1	Tube, Fuel Return	-
14	21-51205	7	Tube, Union, Brass. 1/4" Tube Comp	-
15	27-51203	3	Tube, Fuel Leak-Off	-
16	21-51207	1	Female Connector, Brass, 1/8 NPT x 1/4" Tube Comp	-
17	21-00012	1	Plug Hex-Head, Brass 1/8 NPT	-
20	01435-00825	1	Capscrew, Hex Head Flanged M8 x 1.25 x 25 mm Grade 10.9 JIS B1189* (Pkg Qty 3 ea)	-
21	21-31624	2	Plug, Hex Head, Brass 1/4 NPT (for shipping)	-
22	21-51206	**	Tube Nut	-
23	21-55710	**	Sleeve (Viton)	-
			** As Required	

Notes

Fuel Line Connections

M30CW3



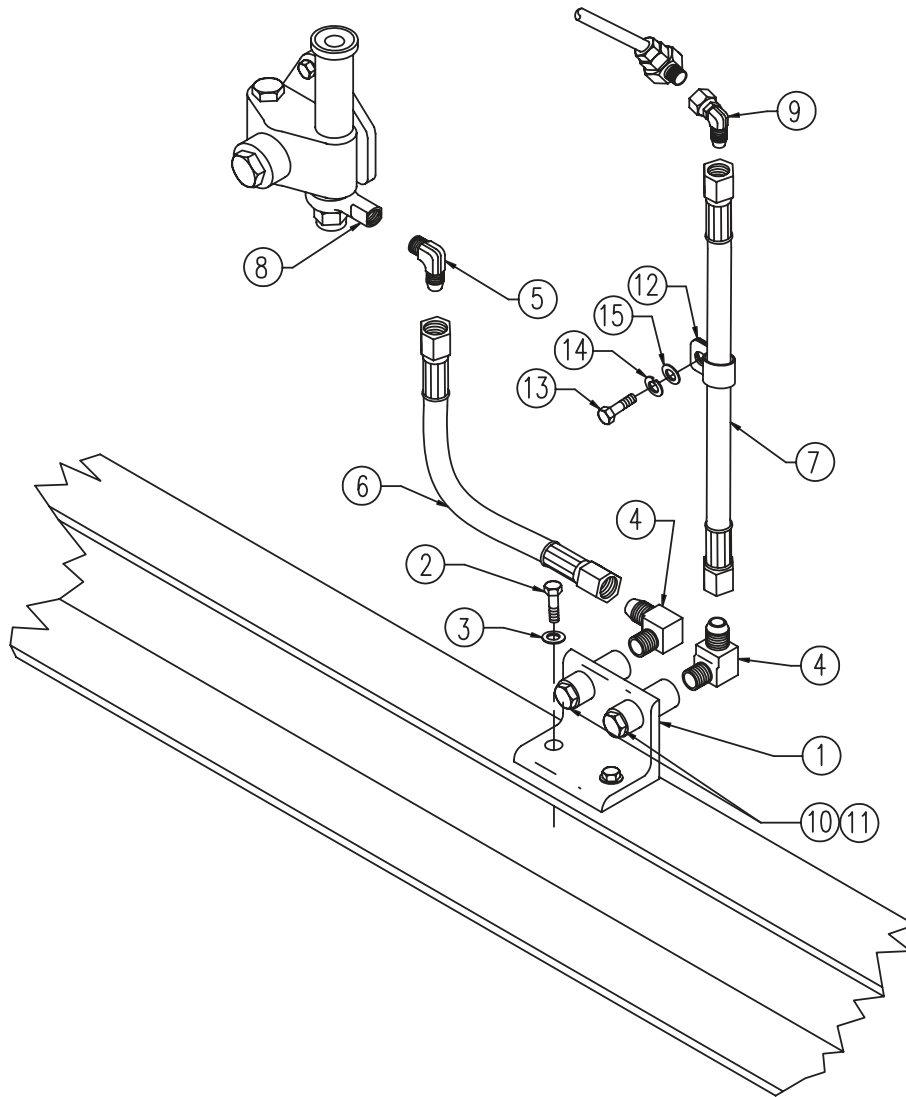
A-11439/ B-9049shortened

KEY	PART NUMBER	QTY	DESCRIPTION	SERIAL NUMBER
1	21-52203	1	Banjo Fitting, Steel 14 mm x 1/4 NPT	-
2	21-52245	1	Male Elbow, 90° Brass 1/4 NPT x 5/16- 45T	-
3	21-71056	1	Female Swivel, Brass 5/16 HB x 5/16- 45 T	-
4	21-51201	1	Male Elbow, 45° Swivel Steel 1/4- 37T x M10	-
5	21-71045	1	Female Swivel, Brass 1/4 HB x 1/4- 45T	-
6	21-52011	1	Cap, Hex Head Steel 5/16- 37T	-
7	21-59502	1	Cap, Hex Head Steel 1/4- 37T	-
} for shipping, not shown				

GROUP 4 – FUEL SYSTEM

USCG A-1 ISO 7840 Fuel Lines

NL944D3

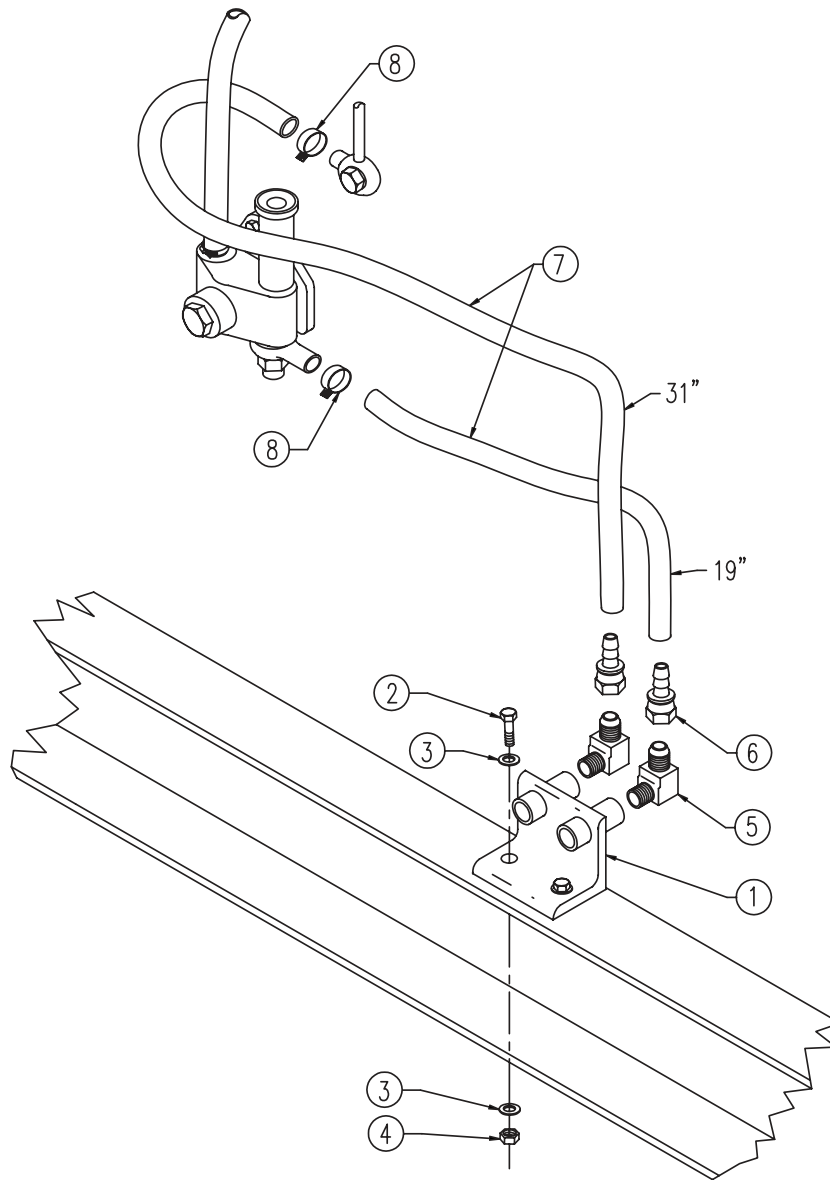


A-12084/ B-9693

KEY	PART NUMBER	QTY	DESCRIPTION	SERIAL NUMBER
1	10-51099	1	Manifold, Fuel Line Connection	-
2	12-01102	2	Capscrew, Hex Head M6 x 1.0 x 16 mm S/S	-
3	15-00610	2	Lock Washer, Helical M6 S/S	-
4	21-52245	2	Male Elbow, 90° Brass 1/4 NPT x 5/16-45T	-
5	21-71044	1	Male Elbow, 90° Brass 1/4 NPT x 1/4-45T	-
6	18-53114	1	Hose Assembly 1/4" ID x 14-1/2" 5/16 FMS	-
7	18-53115	1	Hose Assembly 1/4" ID x 22" 1/4 FMS (former #18-59401)	-
8	21-52203	1	Banjo Fitting, Steel 14 mm x 1/4 NPT Female	-
9	21-51201	1	Male Elbow 45° Swivel Steel 1/4-37T x M10	-
10	21-31624	2	Plug, Hex Head Brass 1/4 NPT	-
11	07005-01412	2	Sealing Washer, Bonded M14	-
12	19-43201	1	Adelle Clamp 1/2" ID x 3/8" Stud	-
13	12-09751	1	Capscrew, Hex Head M8 x 1.25 x 16 mm	-
14	15-00705	1	Lock Washer, Helical M8 S/S	-
15	15-00706	1	Flat Washer M8 S/S	-

Push-on Fuel Line

NL944T3

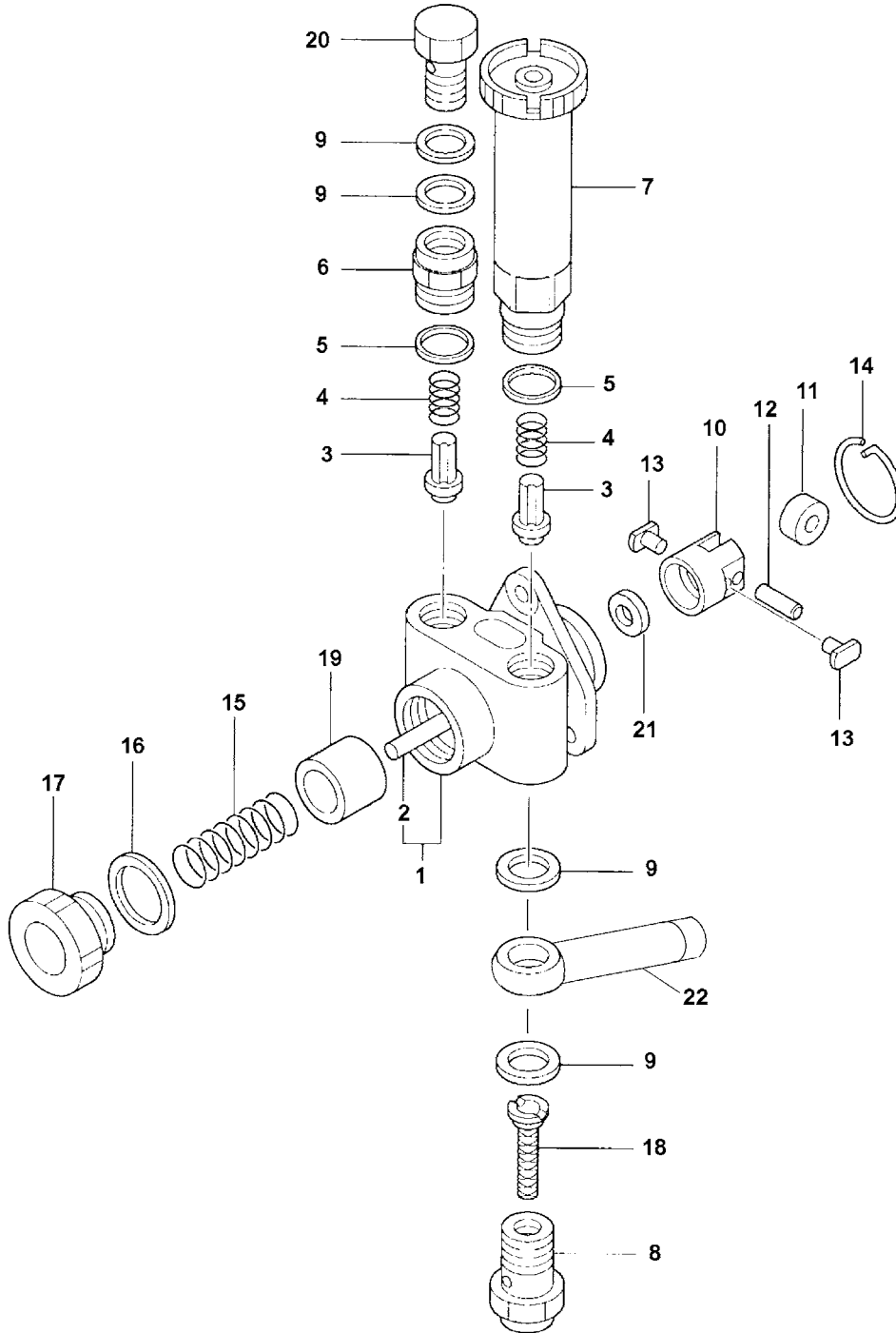


A-12506/ B-9692

KEY	PART NUMBER	QTY	DESCRIPTION	SERIAL NUMBER
1	10-51099	1	Manifold, Fuel Line Connection	-
2	12-00032	2	Capscrew, Hex Head M6 x 1.0 x 30 mm	-
3	15-00008	4	Flat Washer M6	-
4	14-04803	2	Hex Nut, Nylock M6 x 1.0 Class 8	-
5	21-52245	2	Male Elbow, 90° Brass 1/4 NPT x 5/16-45T	-
6	21-71056	2	Female Swivel, Brass 5/16 HB x 5/16-45T	-
7	41-01012	50"	Hose, 5/16" ID Push-on SAE 30R7	-
8	19-01004	2	Hose Clamp #4 Extended Band S/S	-

Fuel Feed Pump

M944W3, M30CW3, & NL944D3



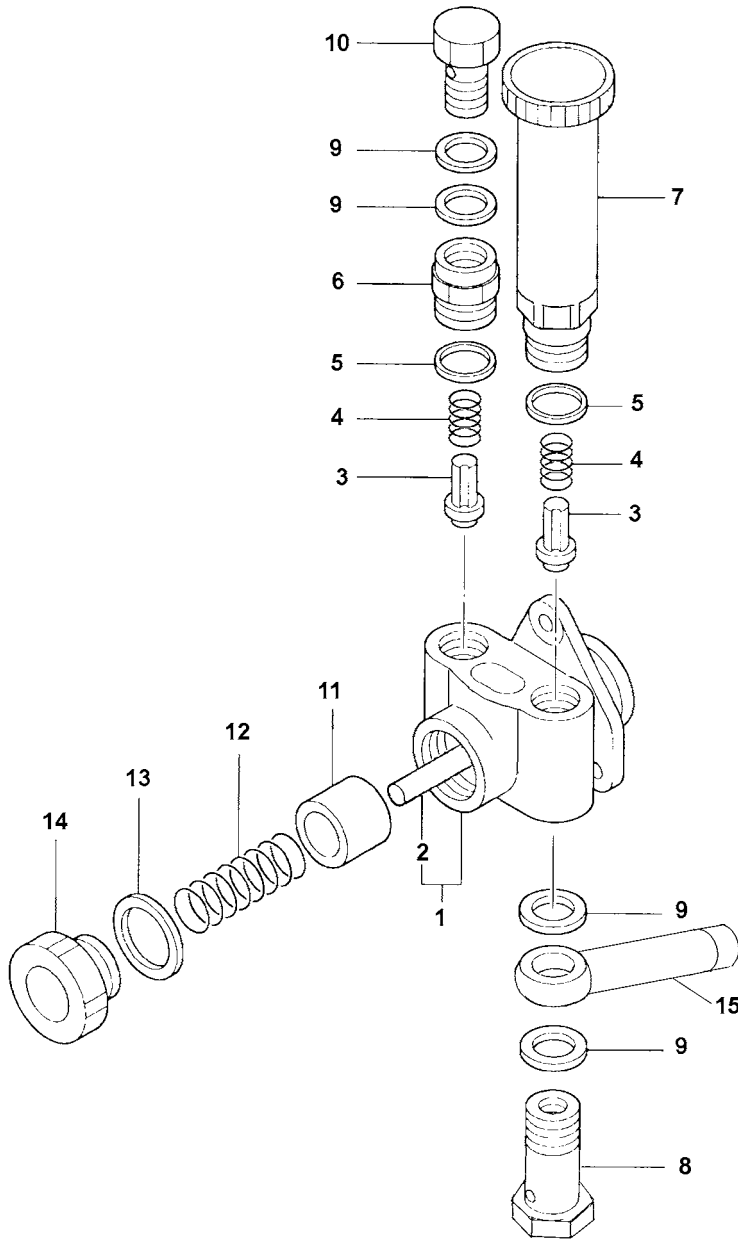
Fuel Feed Pump

M944W3, M30CW3, & NL944D3

KEY	PART NUMBER	QTY	DESCRIPTION	SERIAL NUMBER
••	ND092100-9050	1	Fuel Feed Pump Assembly (includes all keys) (former # 3446109050)	-
1	ND092120-0161	1	Housing (includes keys 2 & 21)	-
2	ND092168-0150	1	Push Rod	-
3	ND092121-0011	2	Check Valve	-
4	ND092124-0010	2	Valve Check Spring	-
5	ND092125-0010	2	Gasket	-
6	ND092127-0010	1	Support Valve	-
7	ND092130-0220	1	Priming Pump	-
8	ND092223-0070	1	Banjo Bolt	-
9	ND07005-01412	4	Sealing Washer, Bonded M14	-
10	ND092174-0030	1	Tappet	-
11	ND092176-0010	1	Tappet Roller	-
12	ND092178-0010	1	Pin	-
13	ND092179-0050	2	Tappet Sliding Block	-
14	ND949072-0940	1	Snap Ring	-
15	ME702024	1	Spring	-
	ND092182-0020	1	Spring	-
16	ND949018-1240	1	Washer, Copper Plate	-
17	ND092184-0021	1	Plug	-
18	ND092220-0040	1	Filter	-
19	ND092171-0011	1	Piston	-
20	ND07206-11014	1	Banjo Bolt M14 x 1.5 x 25mm (former # 8526500078 & ND949180-0310)	-
21	ND949150-2700	1	Oil Seal	-
22	1398140600	1	Fuel Connector M14 Banjo x 5/16" Hose Barb	-
	21-52203	1	Fuel Connector M14 Banjo x 1/4" NPT Female (optional)	-

Fuel Feed Pump

M944T3 - M40C3 - NL944T3



32B6544forNL944T3

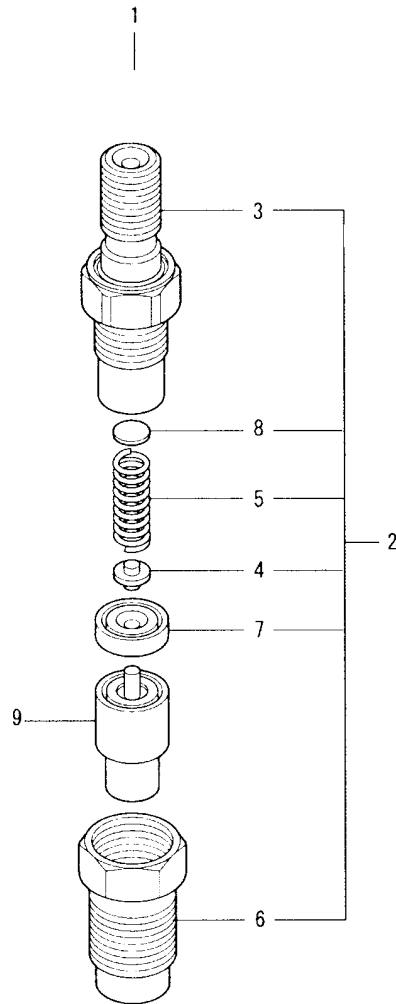
Fuel Feed Pump

M944T3 - M40C3 - NL944T3

KEY	PART NUMBER	QTY	DESCRIPTION	SERIAL NUMBER
••	DK105220-7620	1	Fuel Feed Pump Assembly (includes all keys)	-
1	DK152962-0020	1	Housing	-
2	DK152030-0300	1	Push Rod	-
3	DK152115-0500	2	Check Valve	-
4	DK152116-0200	2	Valve Check Spring	-
5	DK029631-6060	2	O-ring	-
6	DK152118-0900	1	Adaptor, M14 Banjo with Bleed Orifices	-
7	DK152200-6721	1	Priming Pump	-
8	DK152300-6920	1	Banjo Bolt	-
9	07005-01412	4	Sealing Washer, Bonded M14	-
10	DK139814-0900	1	Banjo Bolt	-
11	DK152100-2301	1	Piston	-
12	DK152102-0400	1	Spring	-
13	DK139526-0000	1	Gasket	-
14	DK152105-1500	1	Plug	-
15	DK139814-0600	1	Fuel Connector M14 Banjo x 5/16" Hose Barb	-
	21-52203	1	Fuel Connector M14 Banjo x 1/4" NPT Female (optional)	-

Injector

M944W3 - M30CW3 - NL944D3



Injector

M944W3 - M30CW3 - NL944D3

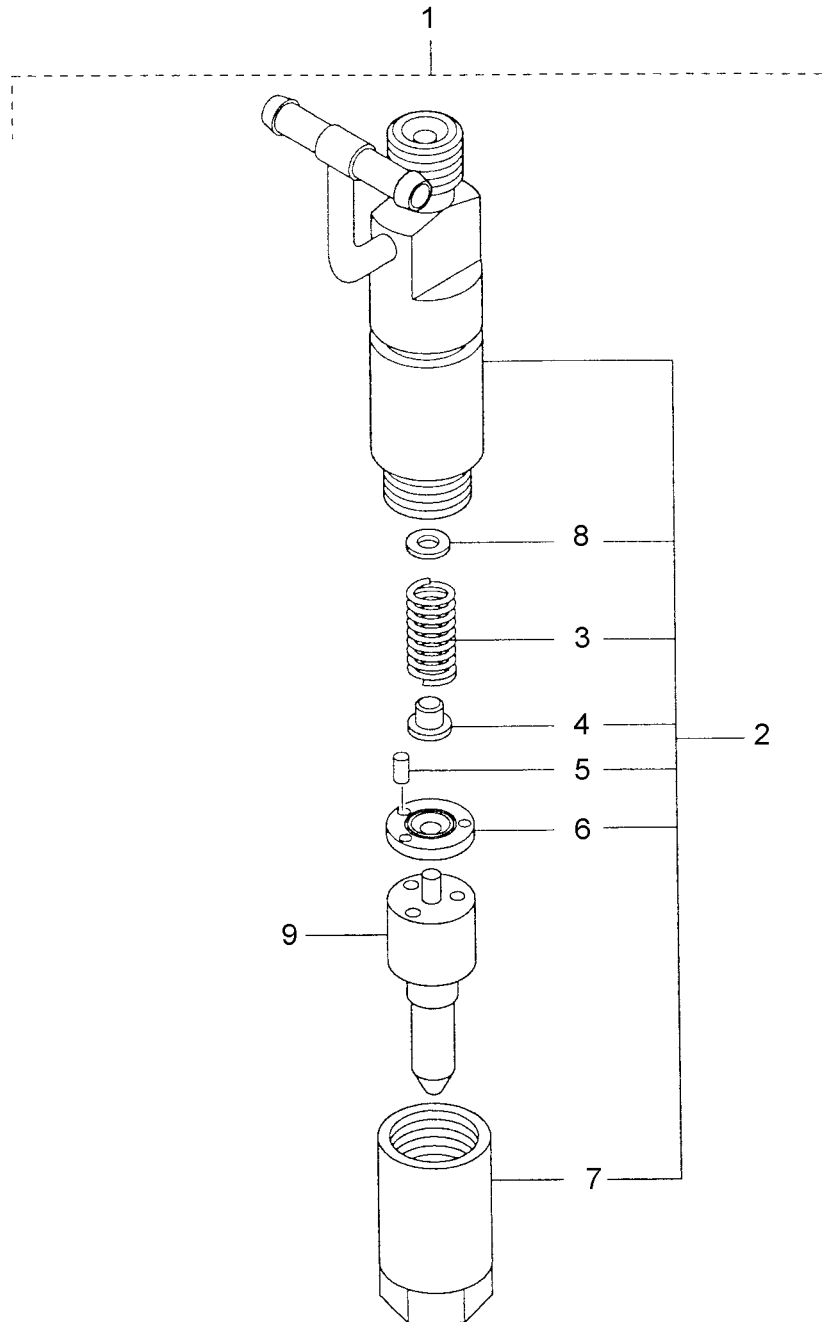
KEY	PART NUMBER	QTY	DESCRIPTION	SERIAL NUMBER
1	32C6106000	4	Injector Assembly (includes all keys)	-
2	32C6106010	4	Injector Holder	-
3	0931105480	4	Housing	-
4	0931210380	4	Pin	-
5	0931270360	4	Spring	-
6	0931641351	4	Nozzle Retaining Nut	-
7	0931740070	4	Spacer	-
8	0931751670	**	Washer, T=0.90	-
	0931751680	**	Washer, T=0.925	-
	0931751690	**	Washer, T=0.950	-
	0931751700	**	Washer, T=0.975	-
	0931751710	**	Washer, T=1.0	-
	0931751720	**	Washer, T=1.025	-
	0931751730	**	Washer, T=1.050	-
	0931751740	**	Washer, T=1.075	-
	0931751750	**	Washer, T=1.10	-
	0931751760	**	Washer, T=1.125	-
	0931751770	**	Washer, T=1.150	-
	0931751780	**	Washer, T=1.175	-
	0931751790	**	Washer, T=1.20	-
	0931751800	**	Washer, T=1.225	-
	0931751810	**	Washer, T=1.250	-
	0931751820	**	Washer, T=1.275	-
	0931751830	**	Washer, T=1.30	-
	0931751840	**	Washer, T=1.325	-
	0931751850	**	Washer, T=1.350	-
	0931751860	**	Washer, T=1.375	-
	0931751870	**	Washer, T=1.40	-
	0931751880	**	Washer, T=1.425	-
	0931751890	**	Washer, T=1.450	-
	0931751900	**	Washer, T=1.475	-
	0931751910	**	Washer, T=1.50	-
	0931751920	**	Washer, T=1.525	-
	0931751930	**	Washer, T=1.550	-
	0931751940	**	Washer, T=1.575	-
	0931751950	**	Washer, T=1.60	-
	0931751960	**	Washer, T=1.625	-
	0931751970	**	Washer, T=1.650	-
	0931751980	**	Washer, T=1.675	-
	0931751990	**	Washer, T=1.70	-
	0931752000	**	Washer, T=1.725	-
	0931752010	**	Washer, T=1.750	-
	0931752020	**	Washer, T=1.775	-
	0931752030	**	Washer, T=1.80	-
	0931752040	**	Washer, T=1.825	-
	0931752050	**	Washer, T=1.850	-
	0931752060	**	Washer, T=1.875	-
	0931752070	**	Washer, T=1.90	-
	0931752080	**	Washer, T=1.925	-
	0931752090	**	Washer, T=1.950	-
9	3466102000	4	Nozzle	-

**As required

GROUP 4 – FUEL SYSTEM

Injector

M - NL944T3 & M40C3



32B614A

Injector

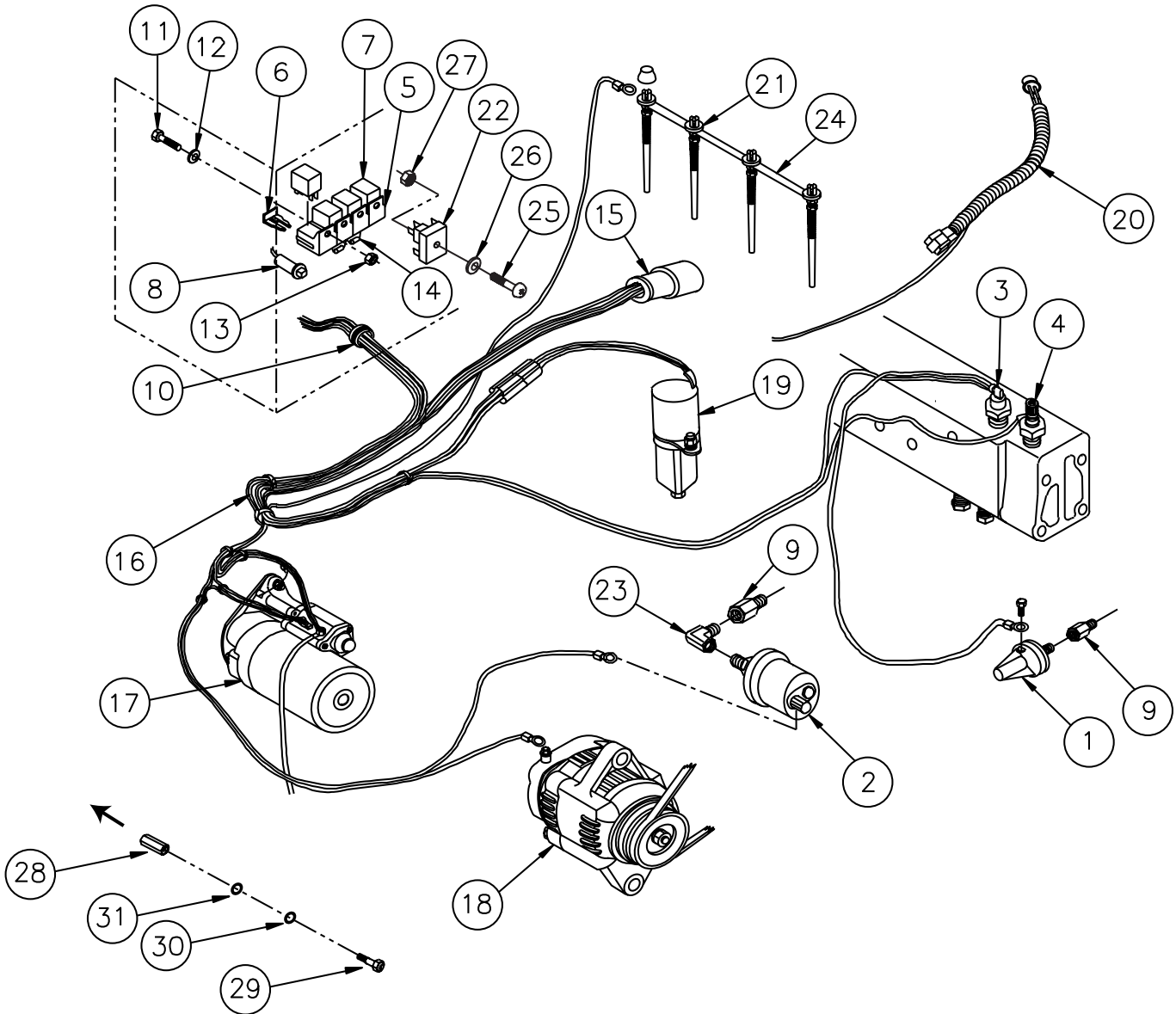
M - NL944T3 & M40C3

KEY	PART NUMBER	QTY	DESCRIPTION	SERIAL NUMBER
1	32A6103040	4	Injector Assembly (includes all keys)	-
2	1050482320	4	Injector Holder	-
3	1505624300	4	Spring	-
4	1505600400	4	Spring Seat	-
5	1505080590	8	Pin	-
6	1505244200	4	Spacer	-
7	1506550000	4	Retaining Nut	-
8	1505911000	**	Washer, T=0.10	-
	1505912000	**	Washer, T=0.20	-
	1505913000	**	Washer, T=0.30	-
	1505914000	**	Washer, T=0.40	-
	1505915000	**	Washer, T=0.50	-
	1505915100	**	Washer, T=0.51	-
	1505915200	**	Washer, T=0.52	-
	1505915300	**	Washer, T=0.53	-
	1505915400	**	Washer, T=0.54	-
	1505915500	**	Washer, T=0.55	-
	1505915600	**	Washer, T=0.56	-
	1505915700	**	Washer, T=0.57	-
	1505915800	**	Washer, T=0.58	-
	1505915900	**	Washer, T=0.59	-
9	32A6157400	4	Nozzle	-
			**As required	

GROUP 5 – ELECTRICAL SYSTEM

Electrical System 12 Volt Standard Ground

M944 & M30CW



A-11225/ C-4985a

Electrical System 12 Volt Standard Ground

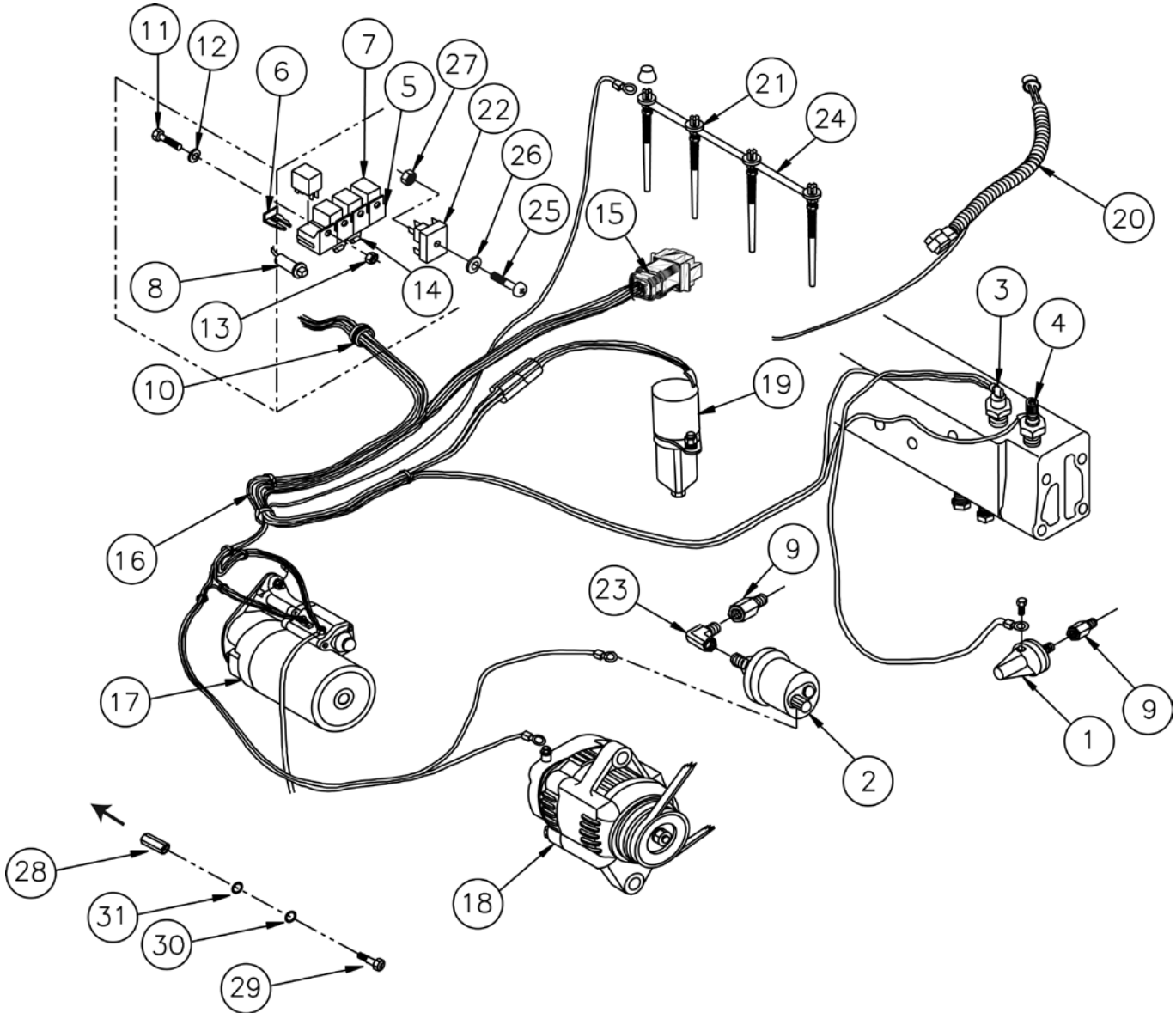
M944 & M30CW

KEY	PART NUMBER	QTY	DESCRIPTION	SERIAL NUMBER
1	22-40233	1	Switch, Oil Pressure 15 PSI	-
2	22-41016	1	Pressure Sender 0- 80 PSI, Standard Ground	-
3	22-40944	1	Switch, Water Temperature 210°F (former # 22-41025)	-
4	22-42055	1	Temperature Sender 250°F, Standard Ground	-
5	22-40391	4	Relay Base without Retainer	-
6	22-40393	4	Terminal Retainer	-
7	22-42047	4	Relay, SPDT 12 VDC 50 Amp	-
8	22-42043	1	Circuit Breaker 15 Amp - Snap-In Type	-
	22-40674	1	Circuit Breaker 15 Amp - Screw Mount Type	-
9	21-00139	2	Female Adapter Steel, 1/8 NPT x 1/8 BSPT	-
10	NG-79-R	1	Grommet	-
11	12-00094	2	Machine Screw, BH Slotted #10-32 x 3/8" S/S	-
12	15-00032	2	Flat Washer #10	-
13	14-00001	2	Hex Nut #10- 32	-
14	22-41060	2	Diode 6 Amp 50 Volt	-
15	22-40930	1	20' Wire Harness Extension	-
16	22-41201	1	Engine Wire Harness	-
17	32A6611100	1	Starter 12 Volt Standard Ground (see Assembly Detail)	-
18	32A6800302	1	12V/ 50 Amp Alternator, Standard Ground (See Assembly Detail)	-
19	32A8706050	1	Stop Solenoid 12 Volt (See Assembly Detail)	-
20	22-42070	1	Switch, High Exhaust Temperature	-
21	32A6603101	4	Glow Plug 12 Volt (former # 32A6603100)	-
22	22-40407	1	Timer Module 12 VDC 20 Amp	-
23	21-04801	1	Street Elbow 90° Steel 1/8 NPT	-
24	32A6604101	1	Connection Strip	-
25	12-09032	1	Capscrew, Hex Head M6 x 1.0 x 30 mm S/S	-
26	15-01134	1	Flat Washer M6 S/S	-
27	14-01133	1	Nylock Nut M6 x 1.0 S/S	-
28	14-08720	1	Coupling Nut M8 x 1.25	-
29	12-09751	1	Capscrew, Hex Head M8 x 1.25 x 16mm S/S	-
30	15-00705	1	Lock Washer M8 S/S	-
31	15-00706	1	Flat Washer M8 S/S	-

GROUP 5 – ELECTRICAL SYSTEM

Electrical System 12 Volt Standard Ground

B+ System M944W3 & M30CW3



A-11225/ C-4985a

Electrical System 12 Volt Standard Ground

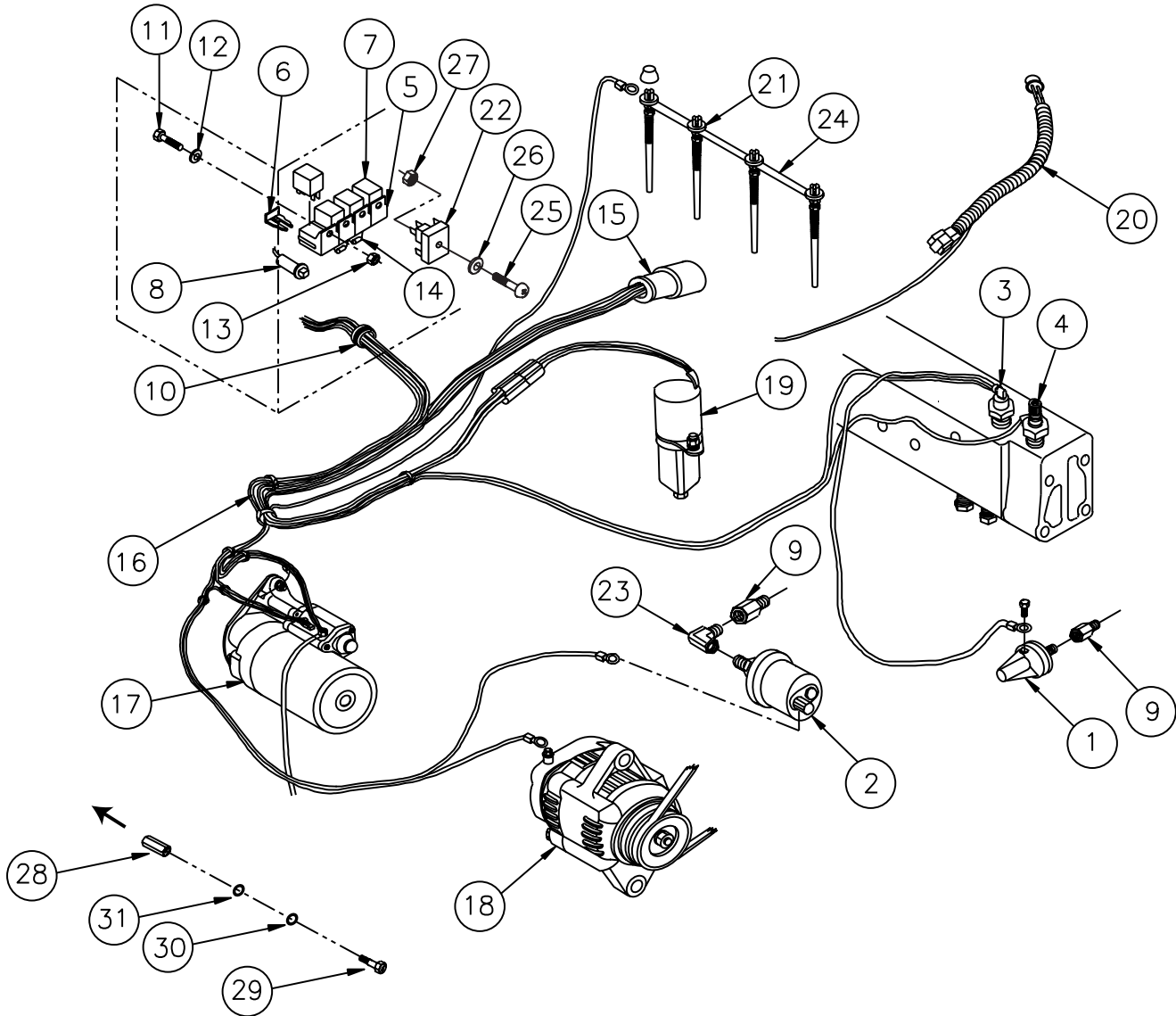
B+ System M944W3 & M30CW3

KEY	PART NUMBER	QTY	DESCRIPTION	SERIAL NUMBER
1	22-40233	1	Switch, Oil Pressure 15 PSI	-
2	22-41016	1	Pressure Sender 0- 80 PSI, Standard Ground	-
3	22-40944	1	Switch, Water Temperature 210°F	-
4	22-42055	1	Temperature Sender 250°F, Standard Ground	-
5	22-40391	4	Relay Base	-
6	22-40393	4	Terminal Retainer	-
7	22-42047	4	Relay, SPDT 12 VDC 50 Amp	-
8	22-40018	1	Circuit Breaker 10 Amp - Screw Mount Type	-
9	21-00139	2	Female Adapter Steel, 1/8 NPT x 1/8 BSPT	-
10	NG-79-R	1	Grommet	-
11	12-00094	2	Machine Screw, BH Slotted #10-32 x 3/8" S/S	-
12	15-00032	2	Flat Washer #10	-
13	14-00001	2	Hex Nut #10- 32	-
14	22-41060	2	Diode 6 Amp 50 Volt	-
15	22-45620	1	20' Wire Harness Extension	-
16	22-41234	1	Engine Wire Harness	-
17	32A6611100	1	Starter 12 Volt Standard Ground (see Assembly Detail)	-
18	32A6800302	1	12V/ 50 Amp Alternator, Standard Ground (See Assembly Detail)	-
19	32A8706050	1	Stop Solenoid 12 Volt (See Assembly Detail)	-
20	22-42070	1	Switch, High Exhaust Temperature	-
21	32A6603101	4	Glow Plug 12 Volt	-
22	22-40407	1	Timer Module 12 VDC 20 Amp	-
23	21-04801	1	Street Elbow 90° Steel 1/8 NPT	-
24	32A6604101	1	Connection Strip	-
25	12-09032	1	Capscrew, Hex Head M6 x 1.0 x 30 mm S/S	-
26	15-01134	1	Flat Washer M6 S/S	-
27	14-01133	1	Nylock Nut M6 x 1.0 S/S	-
28	14-08720	1	Coupling Nut M8 x 1.25	-
29	12-09751	1	Capscrew, Hex Head M8 x 1.25 x 16mm S/S	-
30	15-00705	1	Lock Washer M8 S/S	-
31	15-00706	1	Flat Washer M8 S/S	-

GROUP 5 – ELECTRICAL SYSTEM

Electrical System 12 Volt Isolated Ground

M944W3 & M30CW3



C-4985a

Electrical System 12 Volt Isolated Ground

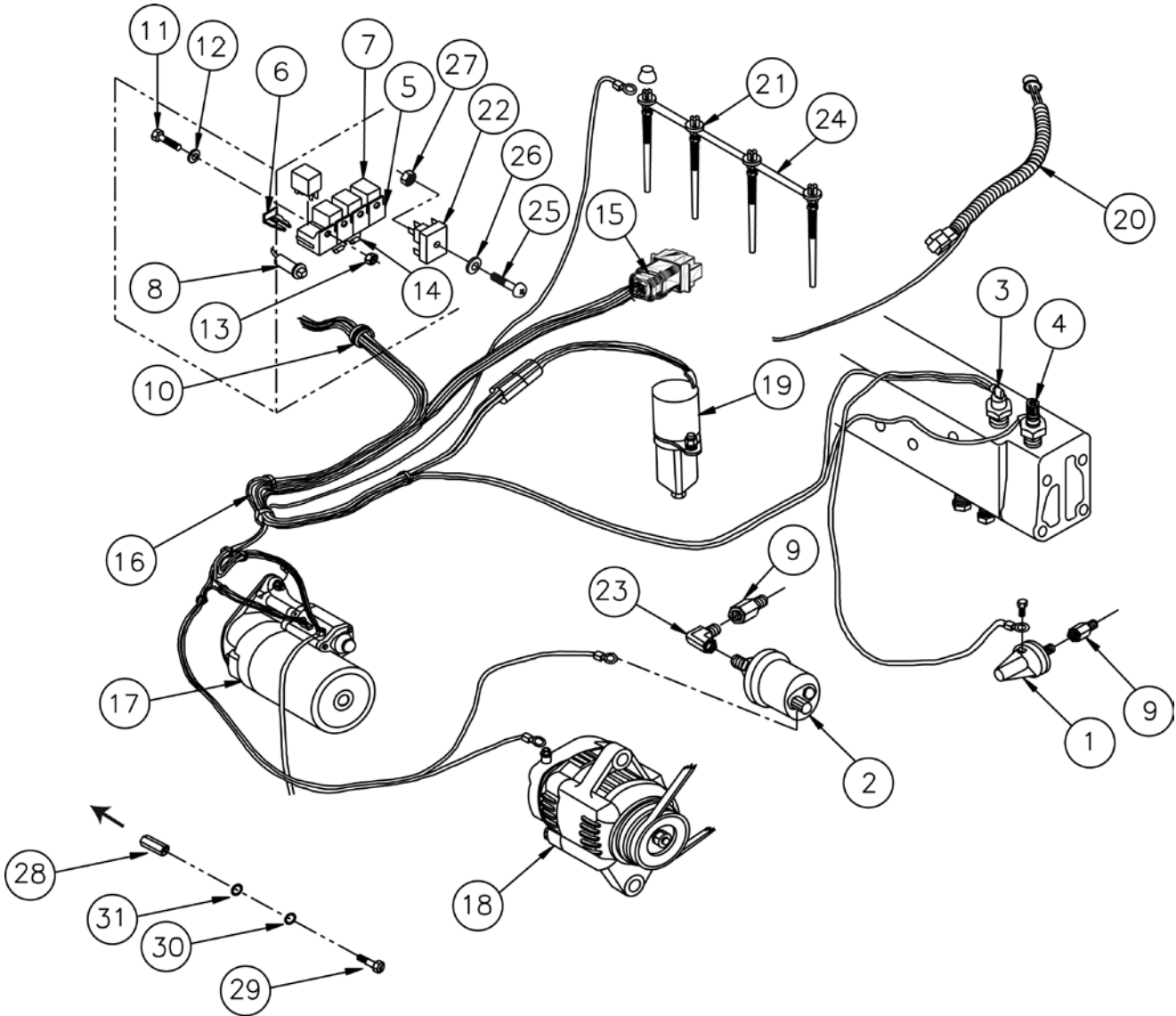
M944W3 & M30CW3

KEY	PART NUMBER	QTY	DESCRIPTION	SERIAL NUMBER
1	22-40236	1	Switch, Oil Pressure 15 PSI	-
2	22-42803	1	Pressure Sender 0- 80 PSI, Isolated Ground	-
3	22-40938	1	Switch, Water Temperature 210°F (former # 22-40906)	-
4	22-44810	1	Temperature Sender 250°F, Isolated Ground	-
5	22-40391	5	Relay Base	-
6	22-40393	5	Terminal Retainer	-
7	22-42047	5	Relay, SPDT 12 VDC 50 Amp	-
8	22-42043	1	Circuit Breaker 15 Amp - Snap-In Type	-
	22-40674	1	Circuit Breaker 15 Amp - Screw Mount Type	-
9	21-00139	2	Female Adapter Steel, 1/8 NPT x 1/8 BSPT	-
10	NG-79-R	1	Grommet	-
11	12-00094	3	Machine Screw, PH Phillips #10-32 x 3/8" S/S	-
12	15-00032	3	Flat Washer #10	-
13	14-00001	2	Hex Nut #10- 32	-
14	22-41060	2	Diode 6 Amp 50 Volt	-
15	22-40930	1	20' Wire Harness Extension	-
16	22-41201	1	Engine Wire Harness	-
	22-71213	1	Harness Addition. Isolated Ground	-
17	22-41208	1	Starter 12 Volt Isolated Ground (see Assembly Detail)	-
18	22-40332	1	Alternator, 12 Volt/ 90 Amp Isolated Ground (see Assembly Detail)	-
19	32A8707050	1	Stop Solenoid 12 Volt (see Assembly Detail)	-
20	22-42070	1	Switch, High Exhaust Temperature	-
21	32A6603101	4	Glow Plug 12 Volt (former # 32A6603100)	-
22	22-40407	1	Timer Module 12 VDC 20 Amp	-
23	21-04801	1	Street Elbow 90° Steel 1/8 NPT	-
24	32A6604101	1	Connection Strip	-
25	12-09032	1	Capscrew, Hex Head M6 x 1.0 x 30 mm S/S	-
26	15-01134	1	Flat Washer M6 S/S	-
27	14-01133	1	Nylock Nut M6 x 1.0 S/S	-
28	14-08720	1	Coupling Nut M8 x 1.25	-
29	12-09751	1	Capscrew, Hex Head M8 x 1.25 x 16mm S/S	-
30	15-00705	1	Lock Washer M8 S/S	-
31	15-00706	1	Flat Washer M8 S/S	-

GROUP 5 - ELECTRICAL SYSTEM

Electrical System 12 Volt Isolated Ground

B+ Electrical System
M944W3 & M30CW3



A-11330/ C-4985

Electrical System 12 Volt Isolated Ground

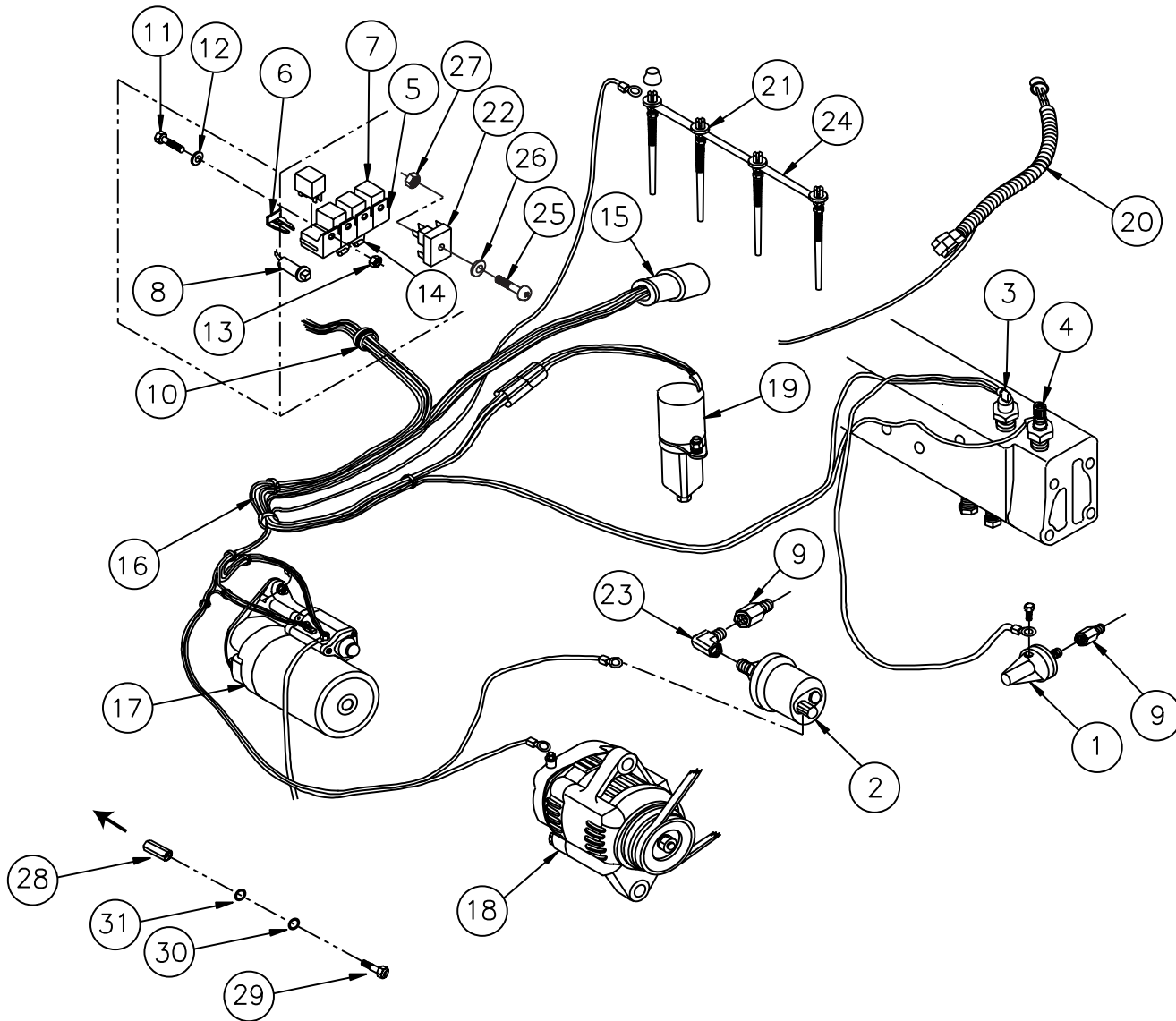
B+ Electrical System
M944W3 & M30CW3

KEY	PART NUMBER	QTY	DESCRIPTION	SERIAL NUMBER
1	22-40236	1	Switch, Oil Pressure 15 PSI	-
2	22-42803	1	Pressure Sender 0- 80 PSI	-
3	22-40938	1	Switch, Water Temperature 250°F	-
4	22-44810	1	Temperature Sender 250°F, Isolated Ground	-
5	22-40391	5	Relay Base	-
6	22-40393	5	Terminal Retainer	-
7	22-42047	5	Relay, SPDT 12 VDC 50 Amp	-
8	22-40018	1	Circuit Breaker 10 Amp - Screw Mount Type	-
9	21-00139	2	Female Adapter Steel, 1/8 NPT x 1/8 BSPT	-
10	NG-79-R	1	Grommet	-
11	12-00094	2	Machine Screw, BH Slotted #10-32 x 3/8" S/S	-
12	15-00032	2	Flat Washer #10	-
13	14-00001	2	Hex Nut #10- 32	-
14	22-41060	2	Diode 6 Amp 50 Volt	-
15	22-45620	1	20' Wire Harness Extension (not shown)	-
16	22-41234	1	Engine Wire Harness	-
	22-71213	1	Ground Harness Addition (includes 22-40391 x 1 ea and 22-40393 x 1 ea)	-
17	22-41244	1	Starter 12 Volt (see Assembly Detail)	-
18	22-40332	1	12 Volt / 90 Amp Alternator (see Assembly Detail)	-
19	32A8705900	1	Stop Solenoid 12 Volt (see Assembly Detail)	-
20	22-42070	1	Switch, High Exhaust Temperature	-
21	32A6603101	4	Glow Plug 12 Volt	-
22	22-40407	1	Timer Module 12 VDC 20 Amp	-
23	21-04801	1	Street Elbow 90° Steel 1/8 NPT	-
24	32A6604101	1	Connection Strip	-
25	12-09032	1	Capscrew, Hex Head M6 x 1.0 x 30mm S/S	-
26	15-01134	1	Flat Washer M6 S/S	-
27	14-01133	1	Nylock Nut M6 x 1.0 S/S	-
28	14-08720	1	Coupling Nut M8 x 1.25	-
29	12-09751	1	Capscrew, Hex Head M8 x 1.25 x 16mm S/S	-
30	15-00705	1	Lock Washer M8 S/S	-
31	15-00706	1	Flat Washer M8 S/S	-

GROUP 5 – ELECTRICAL SYSTEM

Electrical System 24 Volt Standard Ground

M944W3 & M30CW3



C-4985a

Electrical System 24 Volt Standard Ground

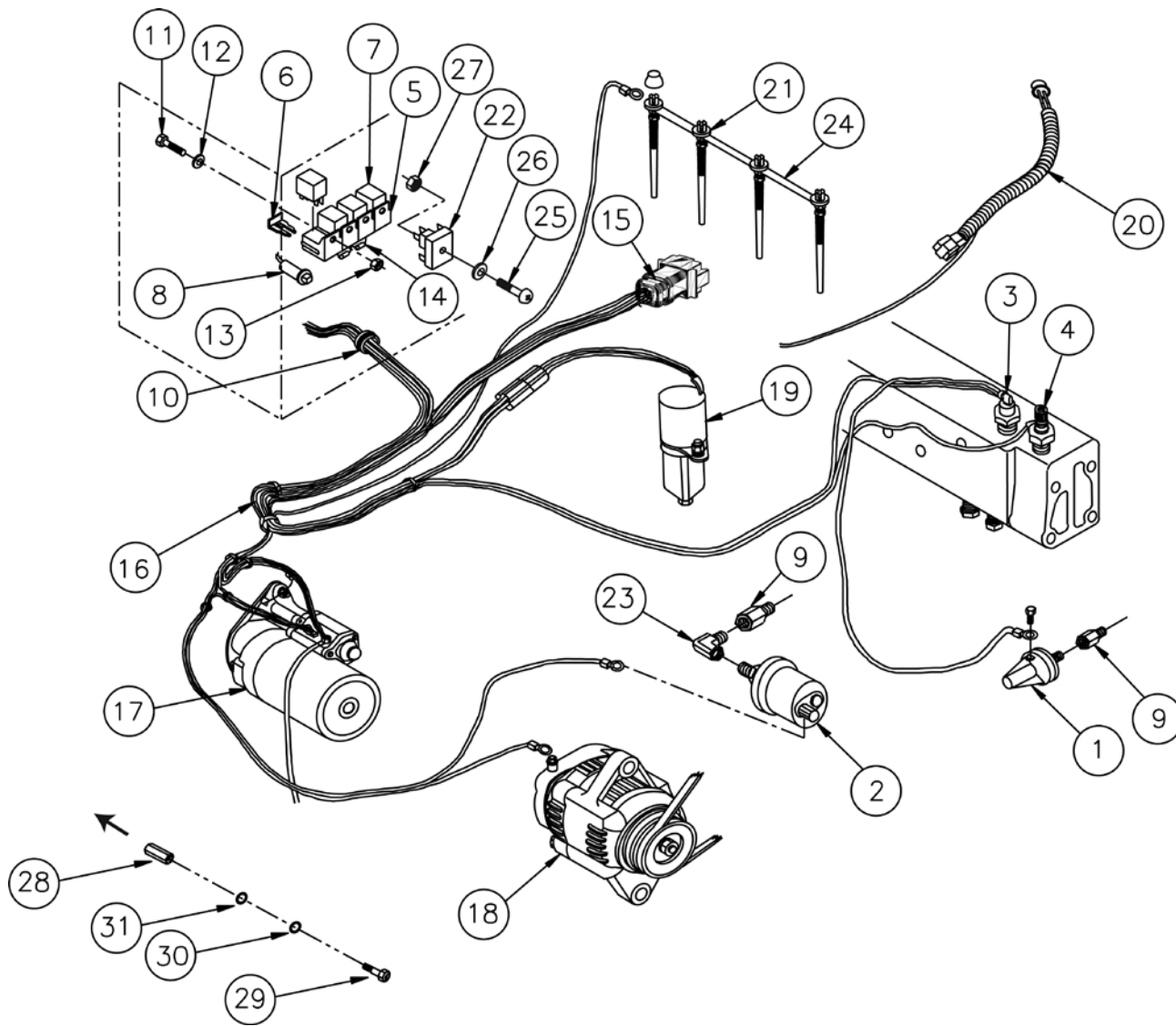
M944W3 & M30CW3

KEY	PART NUMBER	QTY	DESCRIPTION	SERIAL NUMBER
1	22-40233	1	Switch, Oil Pressure 15 PSI	-
2	22-41016	1	Pressure Sender 0- 80 PSI, Standard Ground	-
3	22-40944	1	Switch, Water Temperature 210°F (former #22-41025)	-
4	22-42055	1	Temperature Sender 250°F, Standard Ground	-
5	22-40391	4	Relay Base	-
6	22-40393	4	Terminal Retainer	-
7	22-40085	4	Relay, SPDT 24 VDC 20 Amp	-
8	22-42043	1	Circuit Breaker 15 Amp - Snap-In Type	-
	22-40674	1	Circuit Breaker 15 Amp - Screw Muont Type	-
9	21-00139	2	Female Adapter Steel, 1/8 NPT x 1/8 BSPT	-
10	00-40028	1	Grommet	-
11	12-00094	2	Machine Screw, PH Phillips #10-32 x 3/8" S/S	-
12	15-00032	2	Flat Washer #10	-
13	14-00001	2	Hex Nut #10- 32	-
14	22-41060	2	Diode 6 Amp 50 Volt	-
15	22-40930	1	20' Wire Harness Extension	-
16	22-41201	1	Engine Wire Harness	-
17	32A6601200	1	Starter 24 Volt Standard Ground (see Assembly Detail)	-
18	22-40278	1	Alternator, 24 Volt/ 40 Amp Standard Ground (see Assembly Detail)	-
19	32A8705200	1	Stop Solenoid 24 Volt (see Assembly Detail)	-
20	22-42070	1	Switch, High Exhaust Temperature	-
21	3446631304	4	Glow Plug 24 Volt (former #'s 3446631302 & 3346631303)	-
22	22-40408	1	Timer Module 24 VDC 20 Amp	-
23	21-04801	1	Street Elbow 90° Steel 1/8 NPT	-
24	32A6604101	1	Connection Strip	-
25	12-09032	1	Capscrew, Hex Head M6 x 1.0 x 30 mm S/S	-
26	15-01134	1	Flat Washer M6 S/S	-
27	14-01133	1	Nylock Nut M6 x 1.0 S/S	-
28	14-08720	1	Coupling Nut M8 x 1.25	-
29	12-09751	1	Capscrew, Hex Head M8 x 1.25 x 16mm S/S	-
30	15-00705	1	Lock Washer M8 S/S	-
31	15-00706	1	Flat Washer M8 S/S	-

GROUP 5 – ELECTRICAL SYSTEM

Electrical System 24 Volt Standard Ground

B+ Electrical System
M944W3 & M30CW3



C-4985a

Electrical System 24 Volt Standard Ground

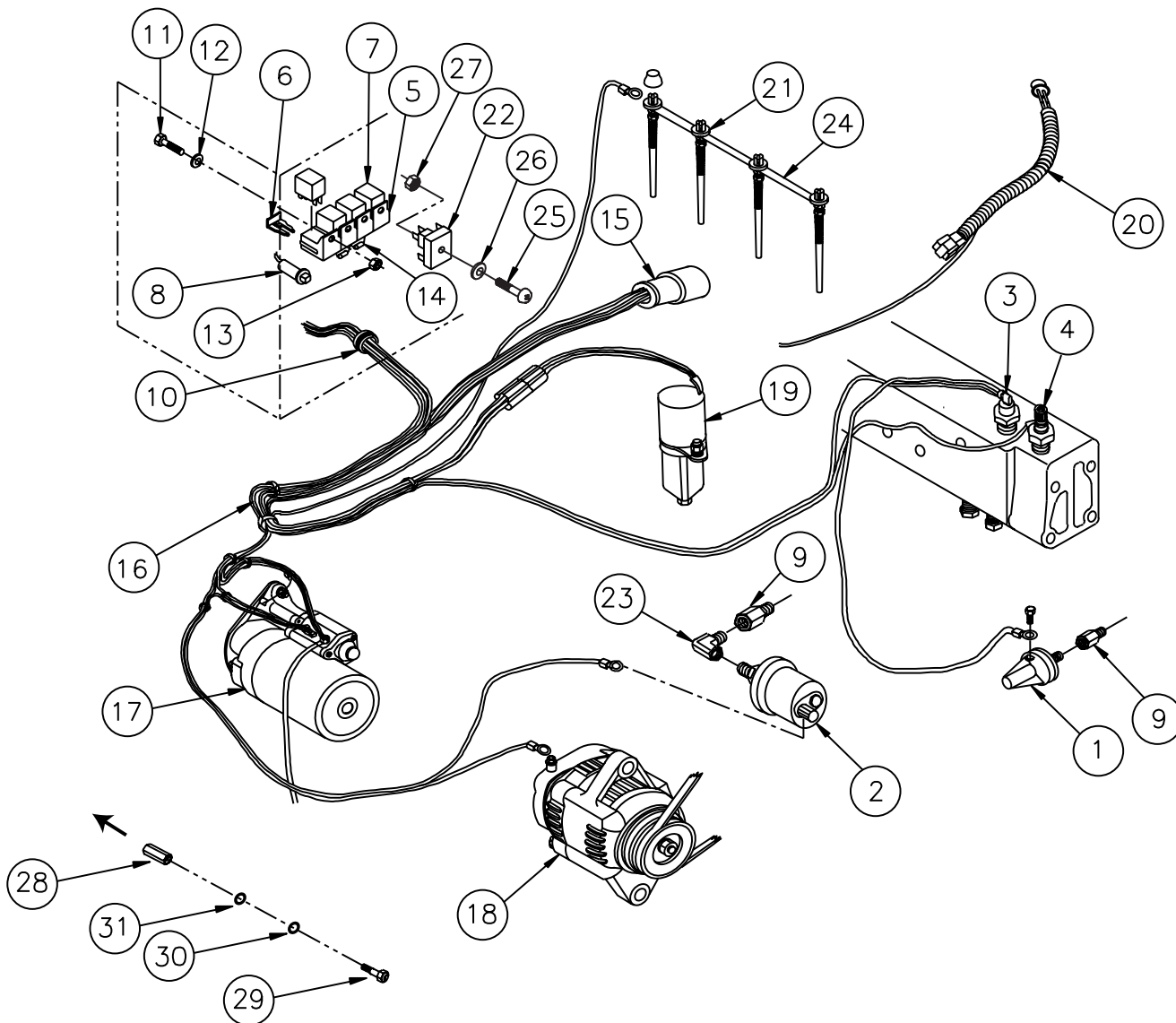
B+ Electrical System
M944W3 & M30CW3

KEY	PART NUMBER	QTY	DESCRIPTION	SERIAL NUMBER
1	22-40233	1	Switch, Oil Pressure 15 PSI	-
2	22-41016	1	Pressure Sender 0- 80 PSI	-
3	22-40944	1	Switch, Water Temperature 210°F	-
4	22-42055	1	Temperature Sender 250°F	-
5	22-40391	4	Relay Base	-
6	22-40393	4	Terminal Retainer	-
7	22-40085	4	Relay, SPDT 24 VDC 20 Amp	-
8	22-40018	1	Circuit Breaker 10 Amp - Screw Mount Type	-
9	21-00139	2	Female Adapter Steel, 1/8 NPT x 1/8 BSPT	-
10	NG-79-R	1	Grommet	-
11	12-00094	2	Machine Screw, BH Slotted #10-32 x 3/8" S/S	-
12	15-00032	2	Flat Washer #10	-
13	14-00001	2	Hex Nut #10- 32	-
14	22-41060	2	Diode 6 Amp 50 Volt	-
15	22-45620	1	20' Wire Harness Extension (not shown)	-
16	22-41234	1	Engine Wire Harness	-
17	22-41216	1	Starter 24 Volt (see Assembly Detail)	-
18	22-40278	1	24 Volt/ 40 Amp Alternator(see Assembly Detail)	-
19	22-51201	1	Stop Solenoid 24 Volt (see Assembly Detail)	-
20	22-42070	1	Switch, High Exhaust Temperature	-
21	22-21208	4	Glow Plug 24 Volt	-
22	22-40408	1	Timer Module 24 VDC 20 Amp	-
23	21-04801	1	Street Elbow 90° Steel 1/8 NPT	-
24	32A6604101	1	Connection Strip	-
25	12-09032	1	Capscrew, Hex Head M6 x 1.0 x 30mm S/S	-
26	15-01134	1	Flat Washer M6 S/S	-
27	14-01133	1	Nylock Nut M6 x 1.0 S/S	-
28	14-08720	1	Coupling Nut M8 x 1.25	-
29	12-09751	1	Capscrew, Hex Head M8 x 1.25 x 16mm S/S	-
30	15-00705	1	Lock Washer M8 S/S	-
31	15-00706	1	Flat Washer M8 S/S	-

GROUP 5 – ELECTRICAL SYSTEM

Electrical System 24 Volt Isolated Ground

M944W3 & M30CW3



C-4985a

Electrical System 24 Volt Isolated Ground

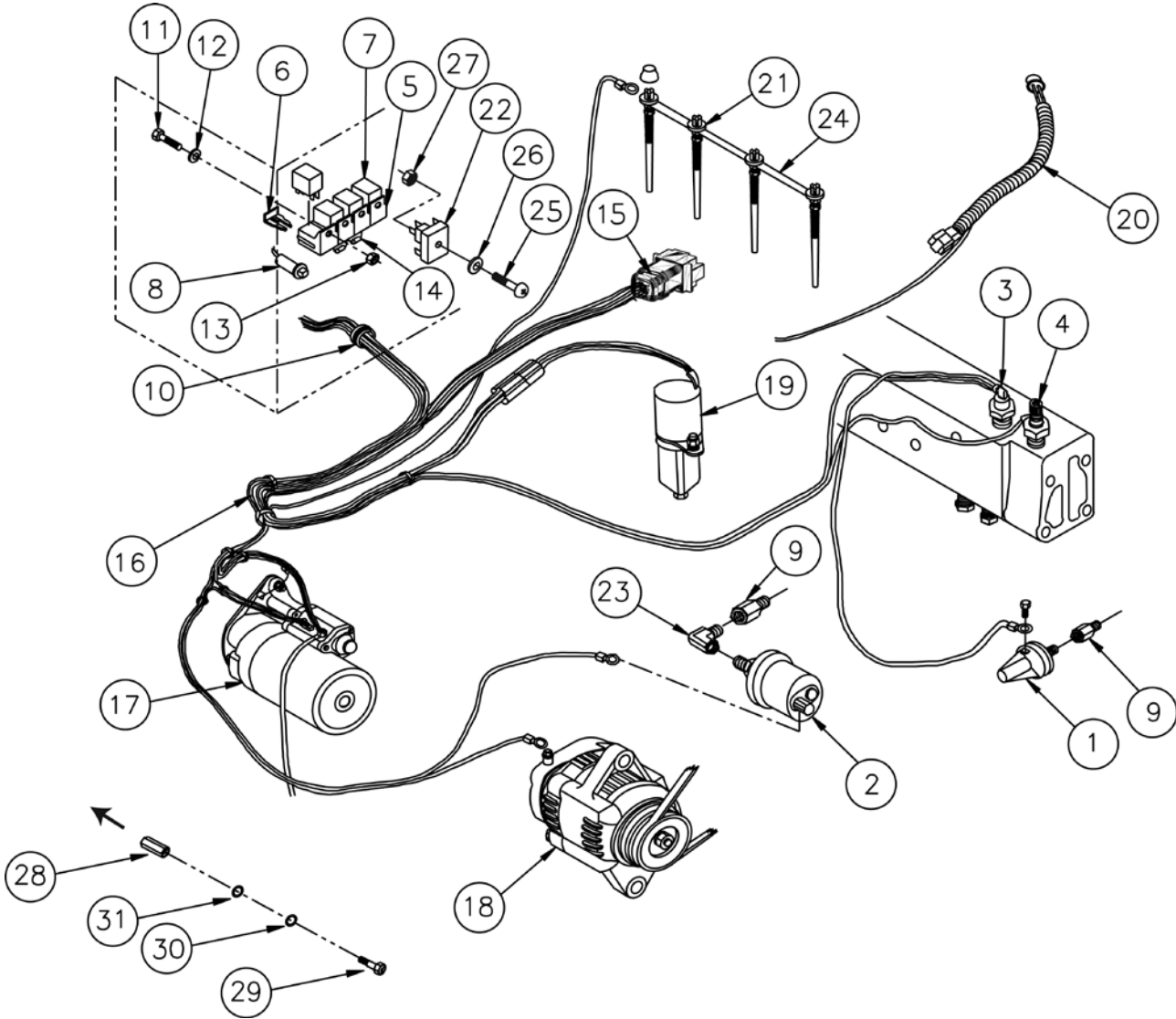
M944W3 & M30CW3

KEY	PART NUMBER	QTY	DESCRIPTION	SERIAL NUMBER
1	22-40236	1	Switch, Oil Pressure 15 PSI	-
2	22-42803	1	Pressure Sender 0- 80 PSI, Isolated Ground	-
3	22-40938	1	Switch, Water Temperature 210°F (former # 22-40906)	-
4	22-44810	1	Temperature Sender 250°F, Isolated Ground	-
5	22-40391	5	Relay Base	-
6	22-40393	5	Terminal Retainer	-
7	22-40085	5	Relay, SPDT 24 VDC 20 Amp	-
8	22-42043	1	Circuit Breaker 15 Amp	-
9	21-00139	2	Female Adapter Steel, 1/8 NPT x 1/8 BSPT	-
10	00-40028	1	Grommet	-
11	12-00094	3	Machine Screw, PH Phillips #10-32 x 3/8" S/S	-
12	15-00032	3	Flat Washer #10	-
13	14-00001	3	Hex Nut #10- 32	-
14	22-41060	2	Diode 6 Amp 50 Volt	-
15	22-40930	1	20' Wire Harness Extension	-
16	22-41201	1	Engine Wire Harness	-
	22-71213	1	Harness Addition, ISO Ground	-
17	22-41209	1	Starter 24 Volt Isolated Ground (see Assembly Detail)	-
18	22-71052	1	Alternator, 24 Volt/ 35 Amp Isolated Ground (see Assembly Detail)	-
19	32A8705200	1	Stop Solenoid 24 Volt (see Assembly Detail)	-
20	22-42070	1	Switch, High Exhaust Temperature	-
21	3446631304	4	Glow Plug 24 Volt (former #'s 3446631302 & 3346631303)	-
22	22-40408	1	Timer Module 24 VDC 20 Amp	-
23	21-04801	1	Street Elbow 90° Steel 1/8 NPT	-
24	32A6604101	1	Connection Strip	-
25	12-09032	1	Capscrew, Hex Head M6 x 1.0 x 30 mm S/S	-
26	15-01134	1	Flat Washer M6 S/S	-
27	14-01133	1	Nylock Nut M6 x 1.0 S/S	-
28	14-08720	1	Coupling Nut M8 x 1.25	-
29	12-09751	1	Capscrew, Hex Head M8 x 1.25 x 16mm S/S	-
30	15-00705	1	Lock Washer M8 S/S	-

GROUP 5 – ELECTRICAL SYSTEM

Electrical System 24 Volt Isolated Ground

B+ Electrical System
M944W3 & M30CW3



C-4985

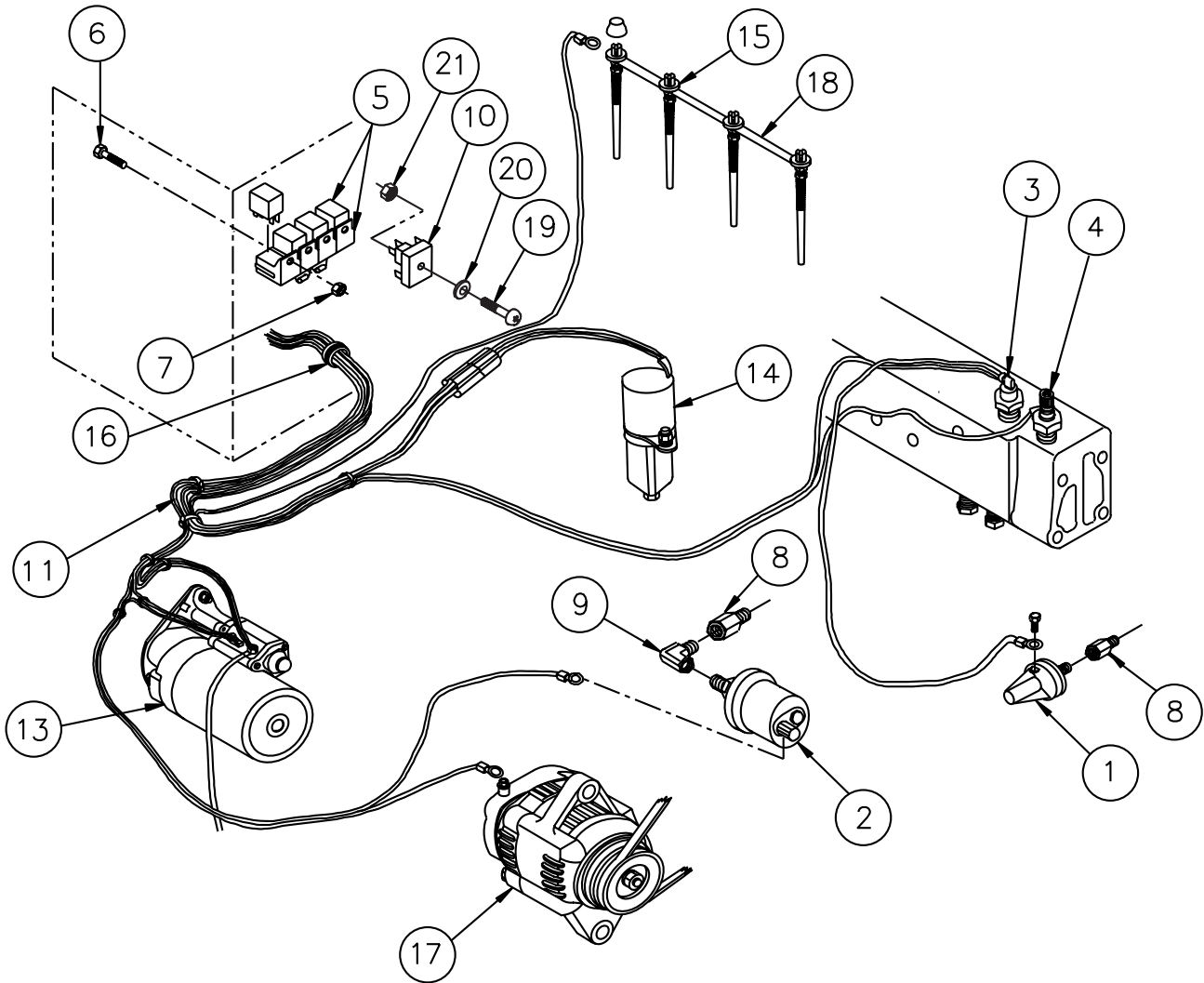
Electrical System 24 Volt Isolated Ground

B+ Electrical System
M944W3 & M30CW3

KEY	PART NUMBER	QTY	DESCRIPTION	SERIAL NUMBER
1	22-40236	1	Switch, Oil Pressure 15 PSI	-
2	22-42803	1	Pressure Sender 0- 80 PSI	-
3	22-40938	1	Switch, Water Temperature 210°F	-
4	22-44810	1	Temperature Sender 250°F	-
5	22-40391	5	Relay Base without Retainer	-
6	22-40393	5	Terminal Retainer	-
7	22-40085	5	Relay, SPDT 24 VDC 20 Amp	-
8	22-40018	1	Circuit Breaker 10 Amp - Screw Mount Type	-
9	21-00139	2	Female Adapter Steel, 1/8 NPT x 1/8 BSPT	-
10	NG-79-R	1	Grommet	-
11	12-00094	2	Machine Screw, PH Phillips #10-32 x 3/8" S/S	-
12	15-00032	2	Flat Washer #10	-
13	14-00001	2	Hex Nut #10- 32	-
14	22-41060	2	Diode 6 Amp50 Volt	-
15	22-45620	1	20' Wire Harness Extension (not shown)	-
16	22-41234	1	Engine Wire Harness with Square "Deutsch" Connector	-
	22-71213	1	Ground Harness Addition (includes 22-40391 x 1 ea and 22-40393 x 1 ea)	-
17	22-41209	1	Starter 24 Volt (see Assembly Detail)	-
18	22-71052	1	24 Volt/ 35 Amp Alternator (see Assembly Detail)	-
19	22-51201	1	Stop Solenoid 24 Volt (see Assembly Detail)	-
20	22-42070	1	Switch, High Exhaust Temperature	-
21	22-21208	4	Glow Plug 24 Volt	-
22	22-40408	1	Timer Module 24 VDC 20 Amp	-
23	21-04801	1	Street Elbow 90° Steel 1/8 NPT	-
24	32A6604101	1	Connecting Strip	-
25	12-09032	1	Capscrew, Hex Head M6 x 1.0 x 30mm S/S	-
26	15-01134	1	Flat Washer M6 S/S	-
27	14-01133	1	Nylock Nut M6 x 1.0 S/S	-
28	14-08720	1	Coupling Nut M8 x 1.25	-
29	12-09751	1	Capscrew, Hex Head M8 x 1.25 x 16mm S/S	-
30	15-00705	1	Lock Washer M8 S/S	-
31	15-00706	1	Flat Washer M8 S/S	-

Electrical System 12 Volt Standard Ground

M30CW with Relay Board



A-11474/ C-4985comm

Electrical System 12 Volt Standard Ground

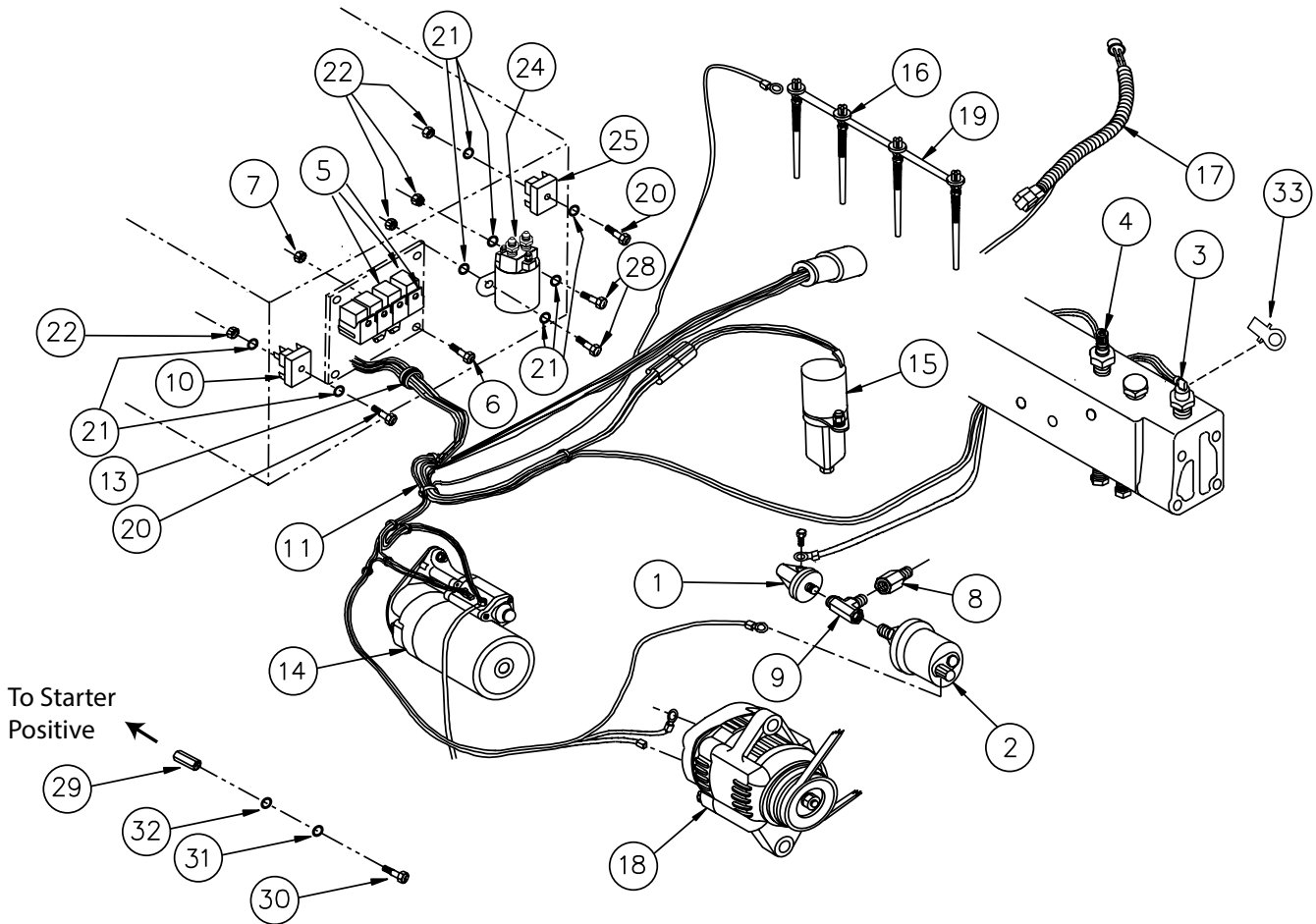
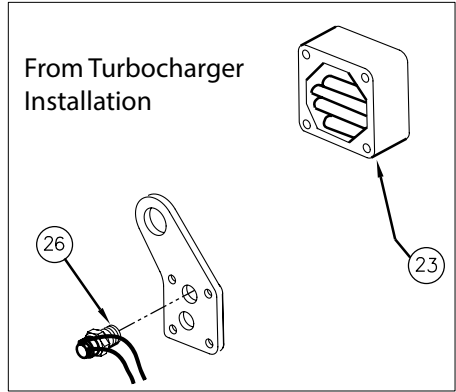
M30CW with Relay Board

KEY	PART NUMBER	QTY	DESCRIPTION	SERIAL NUMBER
1	22-40233	1	Switch, Oil Pressure 15 PSI	-
2	22-41016	1	Pressure Sender 0- 80 PSI, Standard Ground	-
3	22-40944	1	Switch, Water Temperature 210°F (former # 22-41025)	-
4	22-42055	1	Temperature Sender 250°F, Standard Ground	-
5	22-71256-1	4	Relay Board Sub-Assembly (Former # 22-70083-1)	-
	22-42047	4	Relay, SPDT 12 VDC 50 Amp	-
6	12-00001	4	Machine Screw, Phillips #10- 32 x 3/4" S/S	-
7	14-00032	4	Hex Nut, Nylock #10- 32 S/S	-
8	21-00139	1	Female Adapter, Steel 1/8 NPT x 1/8 BST	-
9	21-04801	1	Street Elbow 90° Steel 1/8 NPT	-
10	22-40407	1	Timer Module 12 VDC 20 Amp	-
11	22-41202	1	Engine Wire Harness	-
12	22-40930	1	20' Wire Harness Extension	-
13	32A6611100	1	Starter, 12 Volt Standard Ground	-
14	32A8707050	1	Stop Solenoid Assembly (See Assembly Detail)	-
15	32A6603100	4	Glow Plug 12 V	-
16	00-40028	1	Grommet 7/8" I.D. x 1- 1/2" O.D.	-
17	32A6800302	1	Alternator 12V/ 60 Amp Standard Ground (See Assembly Detail)	-
18	32A6604101	1	Connection Strip	-
19	12-00032	1	Capscrew, Hex Head M6 x 1.0 x 30 mm	-
20	15-00008	1	Flat Washer M6	-
21	14-04803	1	Nylock Nut M6 x 1.0	-

GROUP 5 – ELECTRICAL SYSTEM

Electrical System 12 Volt Standard Ground

M944T3 & M40C3 with Air Intake Heater



Electrical System 12 Volt Standard Ground

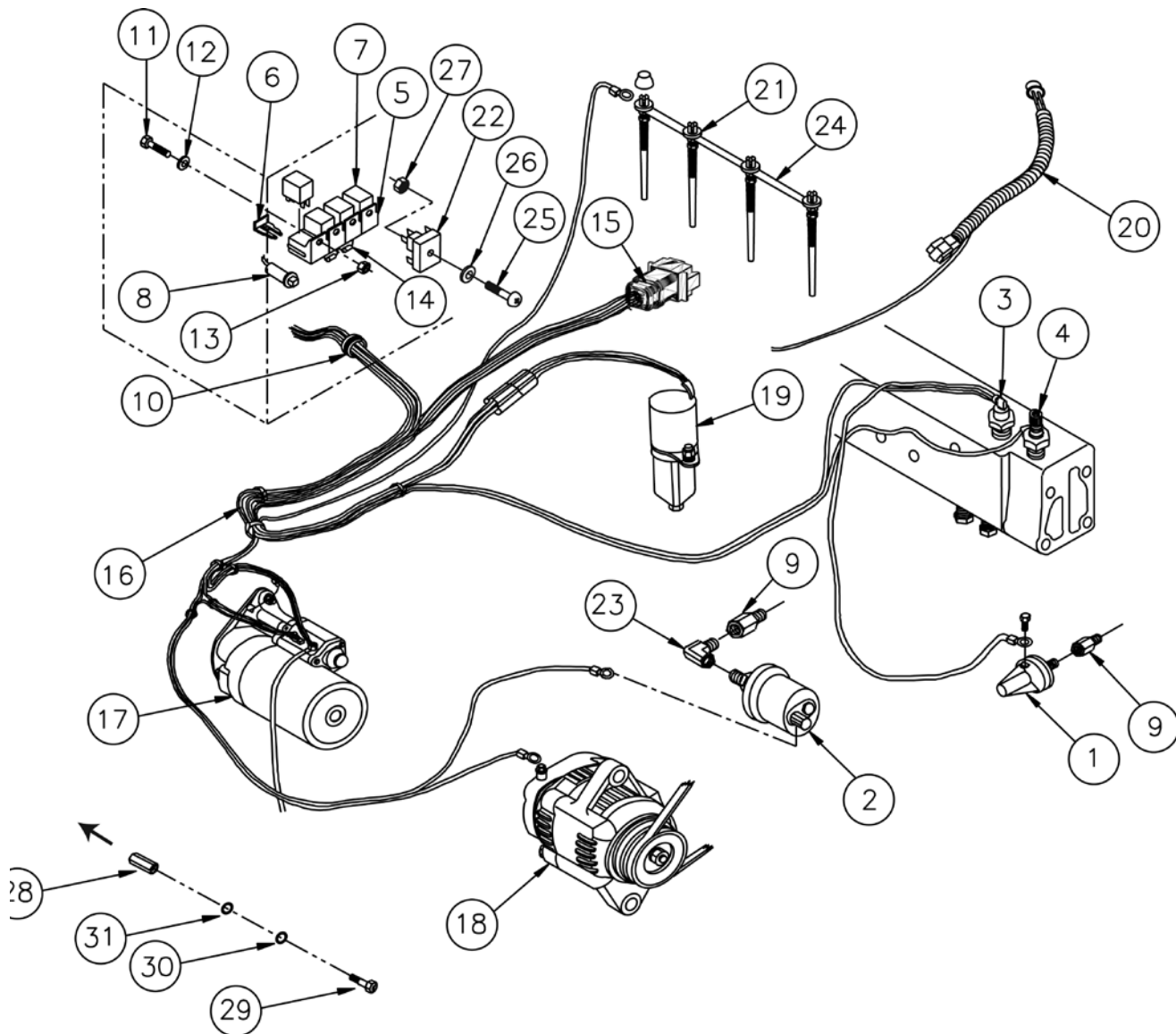
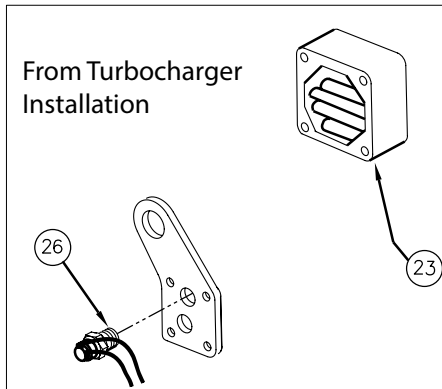
M944T3 & M40C3 with Air Intake Heater

KEY	PART NUMBER	QTY	DESCRIPTION	SERIAL NUMBER
1	22-40233	1	Switch, Oil Pressure 15 PSI	-
2	22-41016	1	Pressure Sender 0- 80 PSI, Standard Ground	-
3	22-40944	1	Switch, Water Temperature 210°F 1/2 NPT (former # 22-41025)	-
4	22-42055	1	Temperature Sender 250°F, Standard Ground 3/8 NPT	-
5	22-42047	4	Relay, SPDT 12 VDC 50 Amp	-
	22-71256-1	1	Relay Board Sub-Assembly (see parts detail)	-
6	12-09406	4	Capscrew, Hex Head M5 x 0.8 x 12 mm S/S	-
7	14-04404	4	Hex Nut, M5 Nylock S/S	-
8	21-00139	1	Female Adapter, Steel 1/8 NPT x 1/8 BST	-
9	21-21001	1	Male Branch Tee, Steel 1/8 NPT	-
10	22-40407	1	Timer Module 12 VDC 20 Amp	-
11	22-41202	1	Engine Wire Harness	-
12	22-40930	1	20' Wire Harness Extension (not shown)	-
13	00-40028	1	Grommet	-
14	32A6610101	1	Starter, 12 Volt Standard Ground (see assembly detail)	-
15	32A8703100	1	Stop Solenoid 12 Volt (see assembly detail)	-
16	32A6607011	4	Glow Plug 12 V	-
17	22-42070	1	High Exhaust Temperature Switch and Harness Assembly (see wet exhaust elbow assembly detail)	-
18	32A6806600	1	Alternator 12V/ 75 Amp Standard Ground (see assembly detail)	-
19	32A6604101	1	Connection Strip	-
20	12-09032	2	Capscrew, M6 x 30 mm S/S	-
21	15-01134	8	Flat Washer, M6 S/S	-
22	14-01133	4	Hex Nut, Nylock M6 S/S	-
23	32B6606100	1	Intake Heater	-
24	22-41131	1	Solenoid 12 volt 100 Amp	-
25	22-70071	1	Timer	-
26	22-40939	1	Temperature Switch 130°F 3/8 NPT	-
28	12-01102	2	Capscrew, Hex Head M6 x 1.0 x 16 mm S/S	-
29	14-08720	1	Coupling Nut M8 x 1.25	-
30	12-09751	1	Capscrew, Hex Head M8 x 1.25 x 16 mm S/S	-
31	15-00705	1	Lock Washer M8 S/S	-
32	15-00706	1	Flat Washer M8 S/S	-
33	22-40682	1	Quick Disconnect Adapter (use with 22-40944 switch)	-

GROUP 5 – ELECTRICAL SYSTEM

Electrical System 12 Volt Standard Ground

B+ Electrical System
M944T3 & M40C3 with Air Intake Heater



A-12030/ C-4985units2

Electrical System 12 Volt Standard Ground

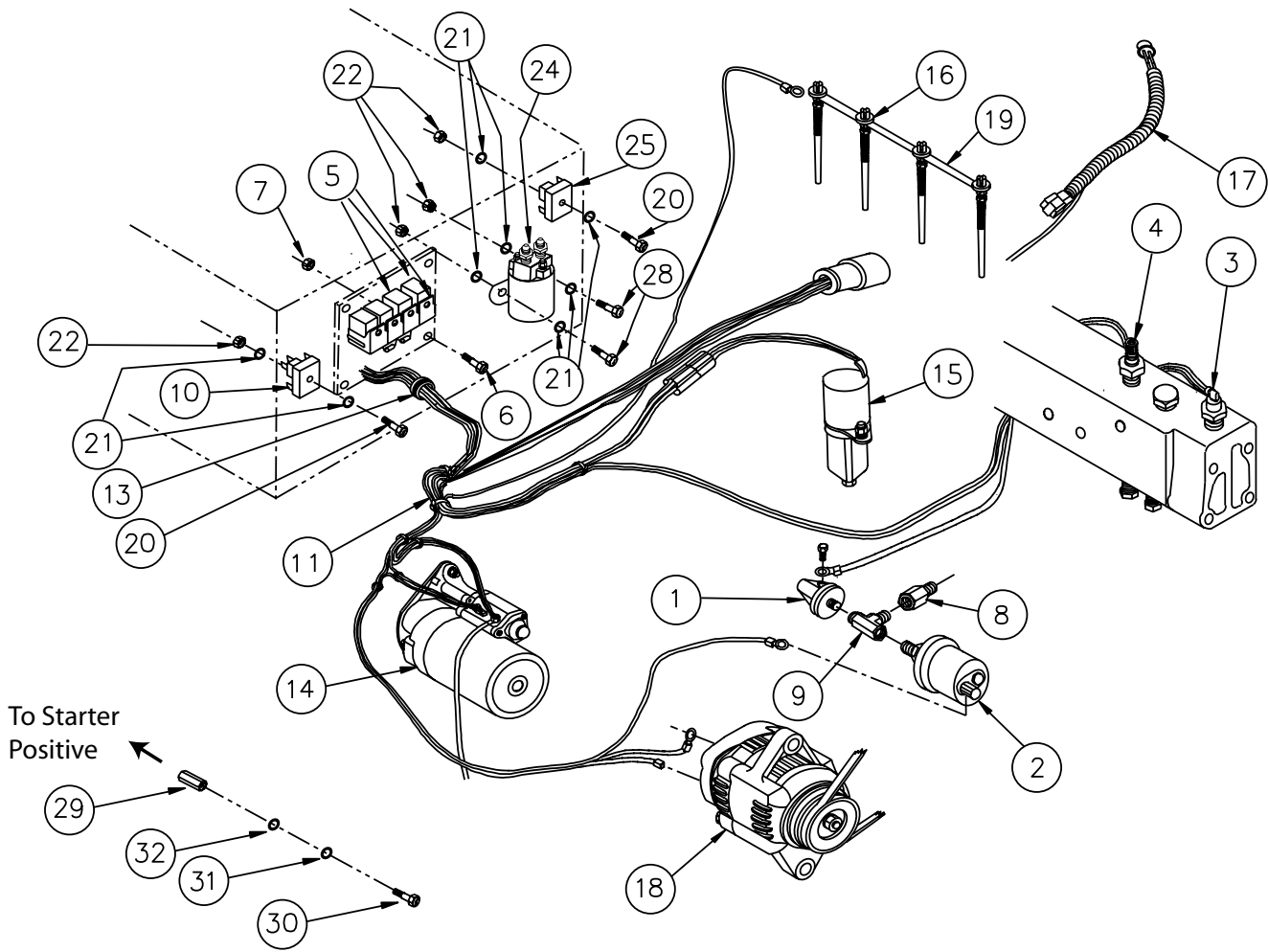
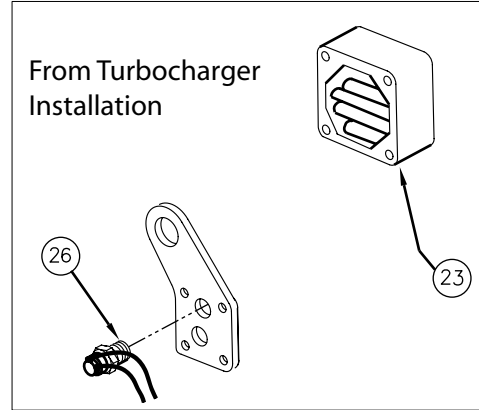
B+ Electrical System M944T3 & M40C3 with Air Intake Heater

KEY	PART NUMBER	QTY	DESCRIPTION	SERIAL NUMBER
1	22-40233	1	Switch, Oil Pressure 15 PSI	-
2	22-41016	1	Pressure Sender 0- 80 PSI, Standard Ground	-
3	22-40944	1	Switch, Water Temperature 210°F 1/2 NPT	-
4	22-42055	1	Temperature Sender 250°F, Standard Ground 3/8 NPT	-
5	22-42047	4	Relay, SPDT 12 VDC 50 Amp	-
	22-71263-1	1	Relay Board Sub-Assembly (see parts detail)	-
6	12-09406	4	Capscrew, Hex Head M5 x 0.8 x 12 mm S/S	-
7	14-04404	4	Hex Nut, M5 Nylock S/S	-
8	21-00139	1	Female Adapter, Steel 1/8 NPT x 1/8 BSPT	-
9	21-21001	1	Male Branch Tee, Steel 1/8 NPT	-
10	22-40407	1	Timer Module 12 VDC 20 Amp	-
11	22-41238	1	Engine Wire Harness - Square Deutsch Plug Connector	-
12	22-45620	1	20' Wire Harness Extension (not shown)	-
13	00-40028	1	Grommet	-
14	32A6610101	1	Starter, 12 Volt Standard Ground (see assembly detail)	-
15	32A8703100	1	Stop Solenoid 12 Volt (see assembly detail)	-
16	32A6607011	4	Glow Plug 12 V	-
17	22-42070	1	High Exhaust Temperature Switch and Harness Assembly (see wet exhaust elbow assembly detail)	-
18	32A6806600	1	Alternator 12V/ 75 Amp Standard Ground (see assembly detail)	-
19	32A6604101	1	Connection Strip	-
20	12-09032	2	Capscrew, M6 x 30 mm S/S	-
21	15-01134	8	Flat Washer, M6 S/S	-
22	14-01133	4	Hex Nut, Nylock M6 S/S	-
23	32B6606100	1	Intake Heater	-
24	22-41131	1	Solenoid 12 volt 100 Amp	-
25	22-70071	1	Timer	-
26	22-40939	1	Temperature Switch 130°F 3/8 NPT	-
28	12-01102	2	Capscrew, Hex Head M6 x 1.0 x 16 mm S/S	-
29	14-08720	1	Coupling Nut M8 x 1.25	-
30	12-09751	1	Capscrew, Hex Head M8 x 1.25 x 16 mm S/S	-
31	15-00705	1	Lock Washer M8 S/S	-
32	15-00706	1	Flat Washer M8 S/S	-
33	22-40682	1	Quick Disconnect Adapter (use with 22-40944 switch)	-

GROUP 5 – ELECTRICAL SYSTEM

Electrical System 12 Volt Isolated Ground

M944T3 & M40C3 with Air Intake Heater



To Starter Positive

Electrical System 12 Volt Isolated Ground

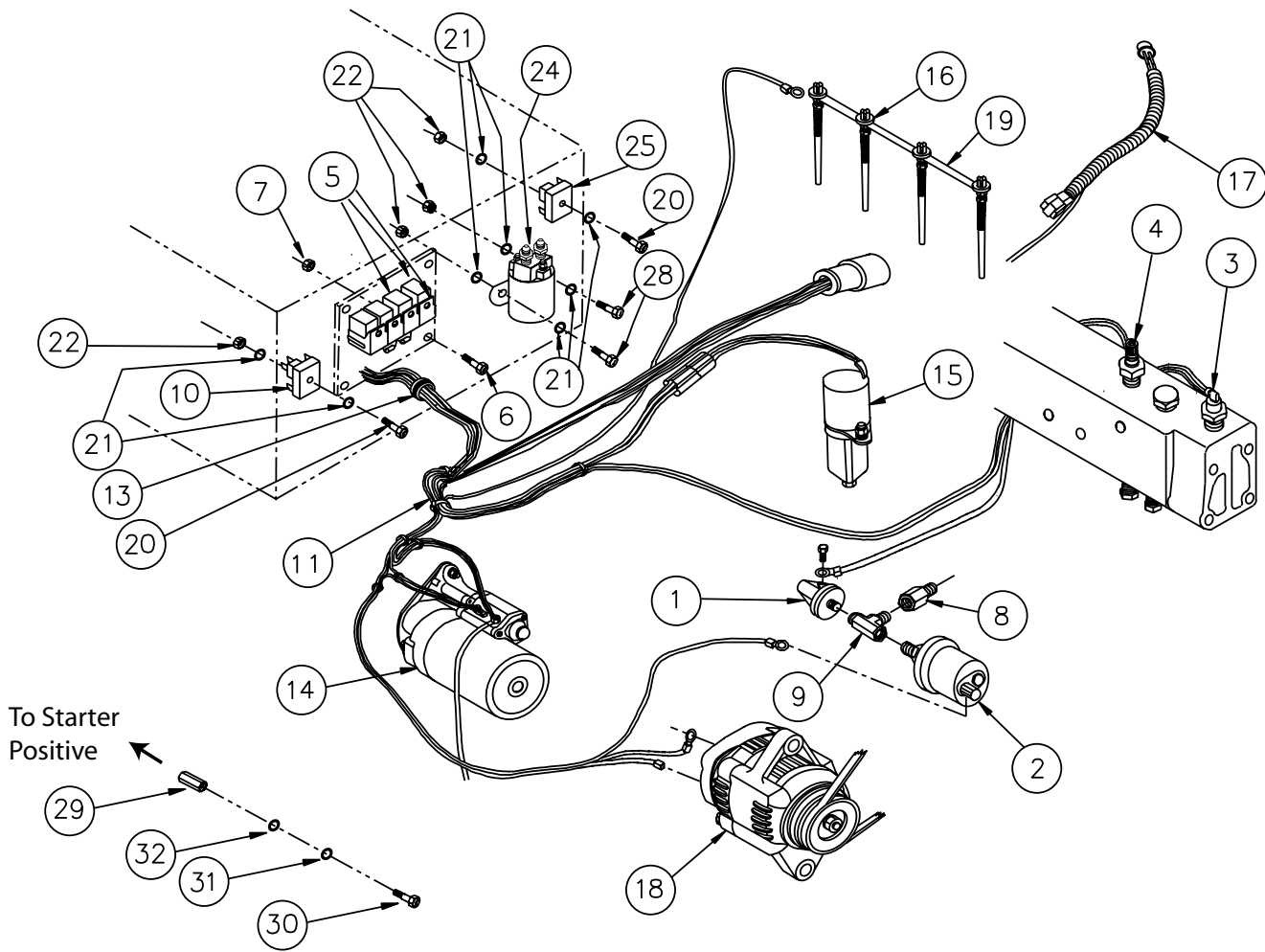
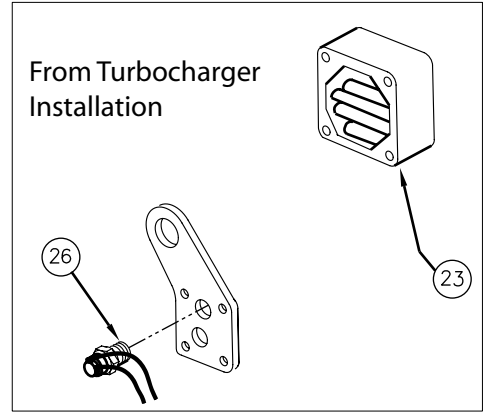
M944T3 & M40C3 with Air Intake Heater

KEY	PART NUMBER	QTY	DESCRIPTION	SERIAL NUMBER
1	22-40236	1	Switch, Oil Pressure 15 PSI	-
2	22-42803	1	Pressure Sender 0- 80 PSI, Isolated Ground	-
3	22-40938	1	Switch, Water Temperature 210°F 1/2 NPT	-
4	22-44810	1	Temperature Sender 250°F, Isolated Ground 3/8 NPT	-
5	22-42047	5	Relay, SPDT 12 VDC 50 Amp	-
	22-71256-1	1	Relay Board Sub-Assembly (see parts detail)	-
6	12-09406	4	Capscrew, Hex Head M5 x 0.8 x 12 mm S/S	-
7	14-04404	4	Hex Nut, M5 Nylock S/S	-
8	21-00139	1	Female Adapter, Steel 1/8 NPT x 1/8 BST	-
9	21-21001	1	Male Branch Tee, Steel 1/8 NPT	-
10	22-40407	1	Timer Module 12 VDC 20 Amp	-
11	22-41202	1	Engine Wire Harness	-
	22-71223	1	Harness Addition, Isolated Ground	-
12	22-40930	1	20' Wire Harness Extension	-
13	00-40028	1	Grommet	-
14	22-41208	1	Starter, 12 Volt Isolated Ground (see assembly detail)	-
15	32A8703100	1	Stop Solenoid 12 Volt (see assembly detail)	-
16	32A6607011	4	Glow Plug 12 V	-
17	22-42070	1	High Exhaust Temperature Switch and Harness Assembly (see wet exhaust elbow assembly detail)	-
18	22-40332	1	Alternator 12V/ 90 Amp Isolated Ground (see assembly detail)	-
19	32A6604101	1	Connection Strip	-
20	12-09032	2	Capscrew, M6 x 30 mm S/S	-
21	15-01134	8	Flat Washer, M6 S/S	-
22	14-01133	4	Hex Nut, Nylock M6 S/S	-
23	22-21201	1	Intake Heater	-
24	22-41131	1	Solenoid 12 volt 100 Amp	-
25	22-70071	1	Timer	-
26	22-40939	1	Temperature Switch 130°F 3/8 NPT	-
28	12-01102	2	Capscrew, Hex Head M6 x 1.0 x 16 mm S/S	-
29	14-08720	1	Coupling Nut M8 x 1.25	-
30	12-09751	1	Capscrew, Hex Head M8 x 1.25 x 16 mm S/S	-
31	15-00705	1	Lock Washer M8 S/S	-
32	15-00706	1	Flat Washer M8 S/S	-

GROUP 5 – ELECTRICAL SYSTEM

Electrical System 24 Volt Standard Ground

M944T3 & M40C3 with Air Intake Heater



A-12030/ C-4985tunits2

Electrical System 24 Volt Standard Ground

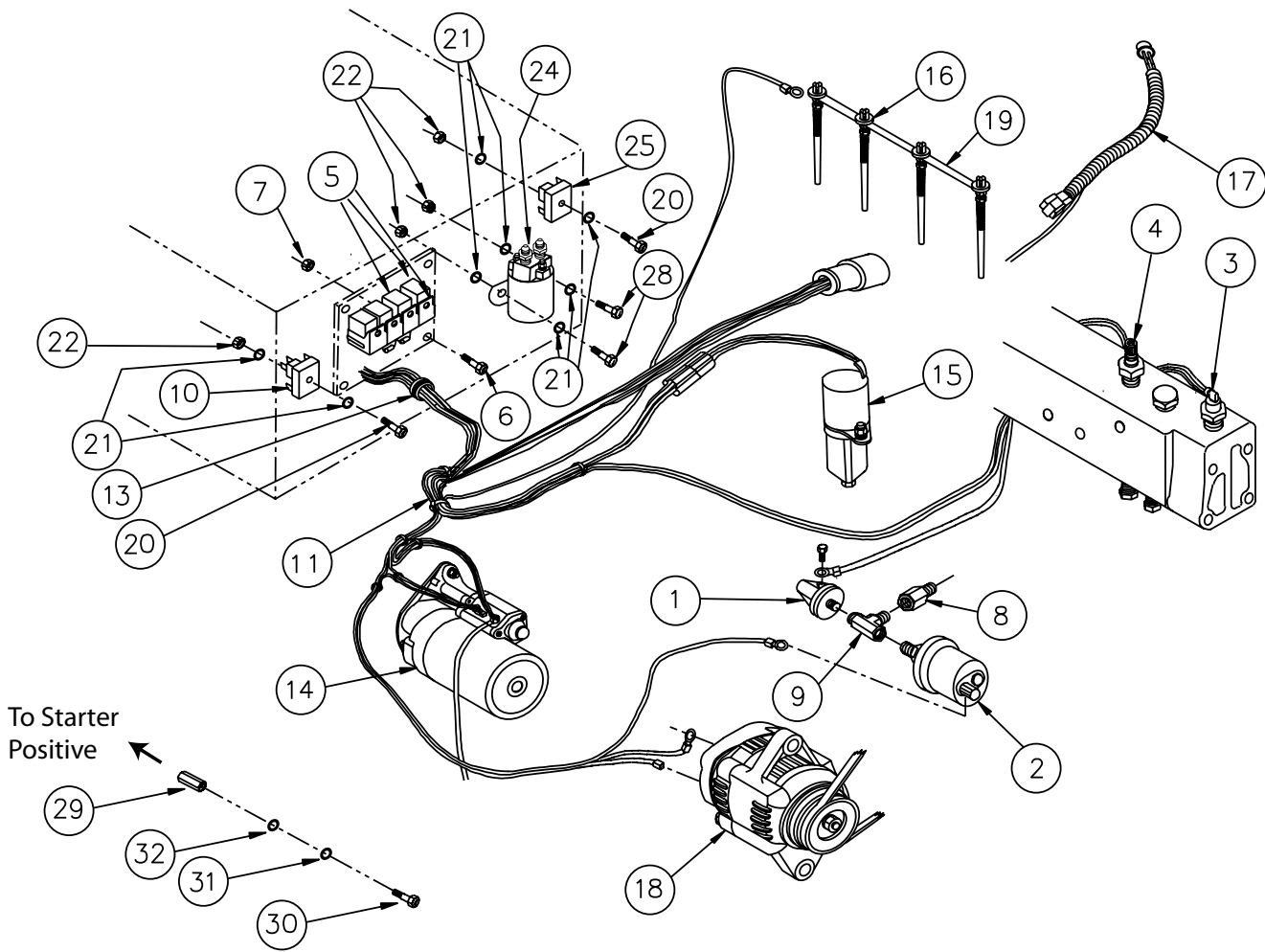
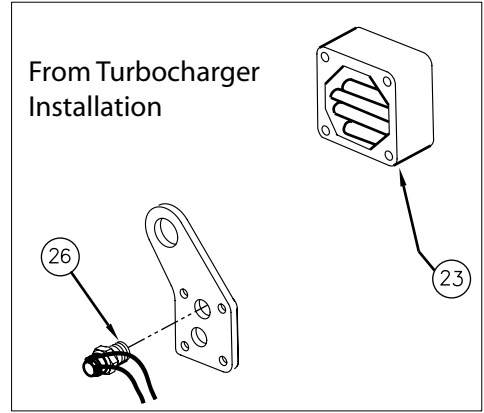
M944T3 & M40C3 with Air Intake Heater

KEY	PART NUMBER	QTY	DESCRIPTION	SERIAL NUMBER
1	22-40233	1	Switch, Oil Pressure 15 PSI	-
2	22-41016	1	Pressure Sender 0- 80 PSI, Standard Ground	-
3	22-40944	1	Switch, Water Temperature 210°F 1/2 NPT (former # 22-41025)	-
4	22-42055	1	Temperature Sender 250°F, Standard Ground 3/8 NPT	-
5	22-40085	4	Relay, SPDT 24 VDC 50 Amp	-
	22-71256-1	1	Relay Board Sub-Assembly (see parts detail)	-
6	12-09406	4	Capscrew, Hex Head M5 x 0.8 x 12 mm S/S	-
7	14-04404	4	Hex Nut, M5 Nylock S/S	-
8	21-00139	1	Female Adapter, Steel 1/8 NPT x 1/8 BSPT	-
9	21-21001	1	Male Branch Tee, Steel 1/8 NPT	-
10	22-40408	1	Timer Module 24 VDC 20 Amp	-
11	22-41202	1	Engine Wire Harness	-
12	22-40930	1	20' Wire Harness Extension (not shown)	-
13	00-40028	1	Grommet	-
14	32A6601200	1	Starter, 24 Volt Standard Ground (see assembly detail)	-
15	22-51202	1	Stop Solenoid 24 Volt (see assembly detail)	-
16	32A6607021	4	Glow Plug 24 V	-
17	22-42070	1	High Exhaust Temperature Switch and Harness Assembly (see wet exhaust elbow assembly detail)	-
18	22-40278	1	Alternator 24V/ 40 Amp Standard Ground (see assembly detail)	-
19	32A6604101	1	Connection Strip	-
20	12-09032	2	Capscrew, M6 x 30 mm S/S	-
21	15-01134	8	Flat Washer, M6 S/S	-
22	14-01133	4	Hex Nut, Nylock M6 S/S	-
23	22-21205	1	Intake Heater Sub-Assembly (see Parts detail)	-
24	22-41132	1	Solenoid 24 volt 100 Amp	-
25	22-70072	1	Timer	-
26	22-40939	1	Temperature Switch 130°F 3/8 NPT	-
28	12-01102	2	Capscrew, Hex Head M6 x 1.0 x 16 mm S/S	-
29	14-08720	1	Coupling Nut M8 x 1.25	-
30	12-09751	1	Capscrew, Hex Head M8 x 1.25 x 16 mm S/S	-
31	15-00705	1	Lock Washer M8 S/S	-
32	15-00706	1	Flat Washer M8 S/S	-

GROUP 5 - ELECTRICAL SYSTEM

Electrical System 24 Volt Isolated Ground

M944T3 & M40C3 with Air Intake Heater



To Starter Positive

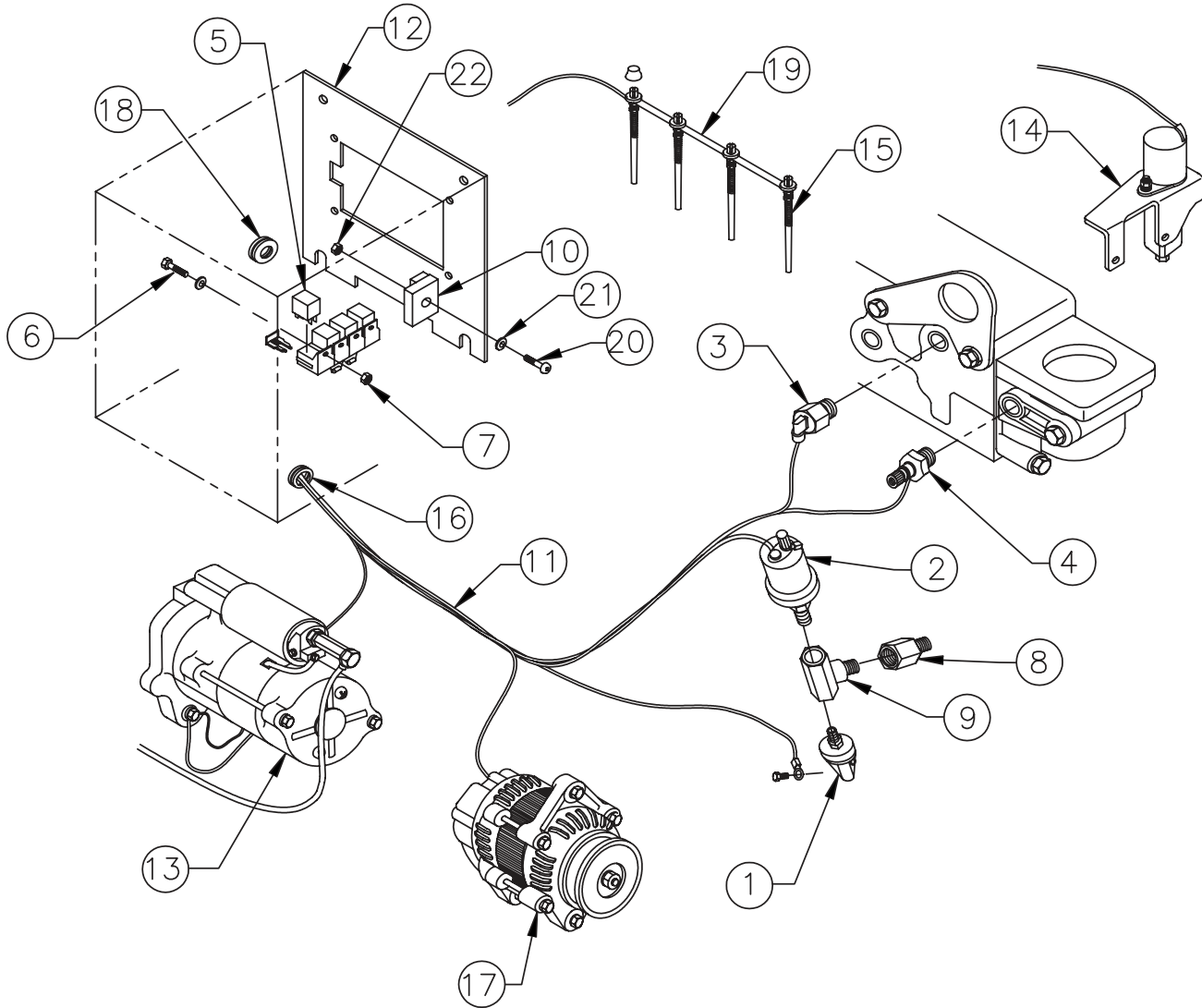
Electrical System 24 Volt Isolated Ground

M944T3 & M40C3 with Air Intake Heater

KEY	PART NUMBER	QTY	DESCRIPTION	SERIAL NUMBER
1	22-40236	1	Switch, Oil Pressure 15 PSI	-
2	22-42803	1	Pressure Sender 0- 80 PSI, Isolated Ground	-
3	22-40938	1	Switch, Water Temperature 210°F 1/2 NPT	-
4	22-44810	1	Temperature Sender 250°F, Isolated Ground 3/8 NPT	-
5	22-40085	5	Relay, SPDT 24 VDC 50 Amp	-
	22-71256-1	1	Relay Board Sub-Assembly (see parts detail)	-
6	12-09406	4	Capscrew, Hex Head M5 x 0.8 x 12 mm S/S	-
7	14-04404	4	Hex Nut, M5 Nylock S/S	-
8	21-00139	1	Female Adapter, Steel 1/8 NPT x 1/8 BSPT	-
9	21-21001	1	Male Branch Tee, Steel 1/8 NPT	-
10	22-40408	1	Timer Module 24 VDC 20 Amp	-
11	22-41202	1	Engine Wire Harness	-
	22-71223	1	Harness Addition, Isolated Ground	-
12	22-40930	1	20' Wire Harness Extension	-
13	00-40028	1	Grommet	-
14	22-41209	1	Starter, 24 Volt Isolated Ground (see assembly detail)	-
15	22-51202	1	Stop Solenoid 24 Volt (see assembly detail)	-
16	32A6607021	4	Glow Plug 24 V	-
17	22-42070	1	High Exhaust Temperature Switch and Harness Assembly (see wet exhaust elbow assembly detail)	-
18	22-71052	1	Alternator 24V/ 35 Amp Isolated Ground (see assembly detail)	-
19	32A6604101	1	Connection Strip	-
20	12-09032	2	Capscrew, M6 x 30 mm S/S	-
21	15-01134	8	Flat Washer, M6 S/S	-
22	14-01133	4	Hex Nut, Nylock M6 S/S	-
23	22-21210	1	Intake Heater Sub-Assembly (see parts detail)	-
24	22-41132	1	Solenoid 24 volt 100 Amp	-
25	22-70072	1	Timer	-
26	22-40939	1	Temperature Switch 130°F 3/8 NPT	-
28	12-01102	2	Capscrew, Hex Head M6 x 1.0 x 16 mm S/S	-
29	14-08720	1	Coupling Nut M8 x 1.25	-
30	12-09751	1	Capscrew, Hex Head M8 x 1.25 x 16 mm S/S	-
31	15-00705	1	Lock Washer M8 S/S	-
32	15-00706	1	Flat Washer M8 S/S	-

Electrical System 12 Volt Standard Ground

NL944D3



A-12466/ B-9679

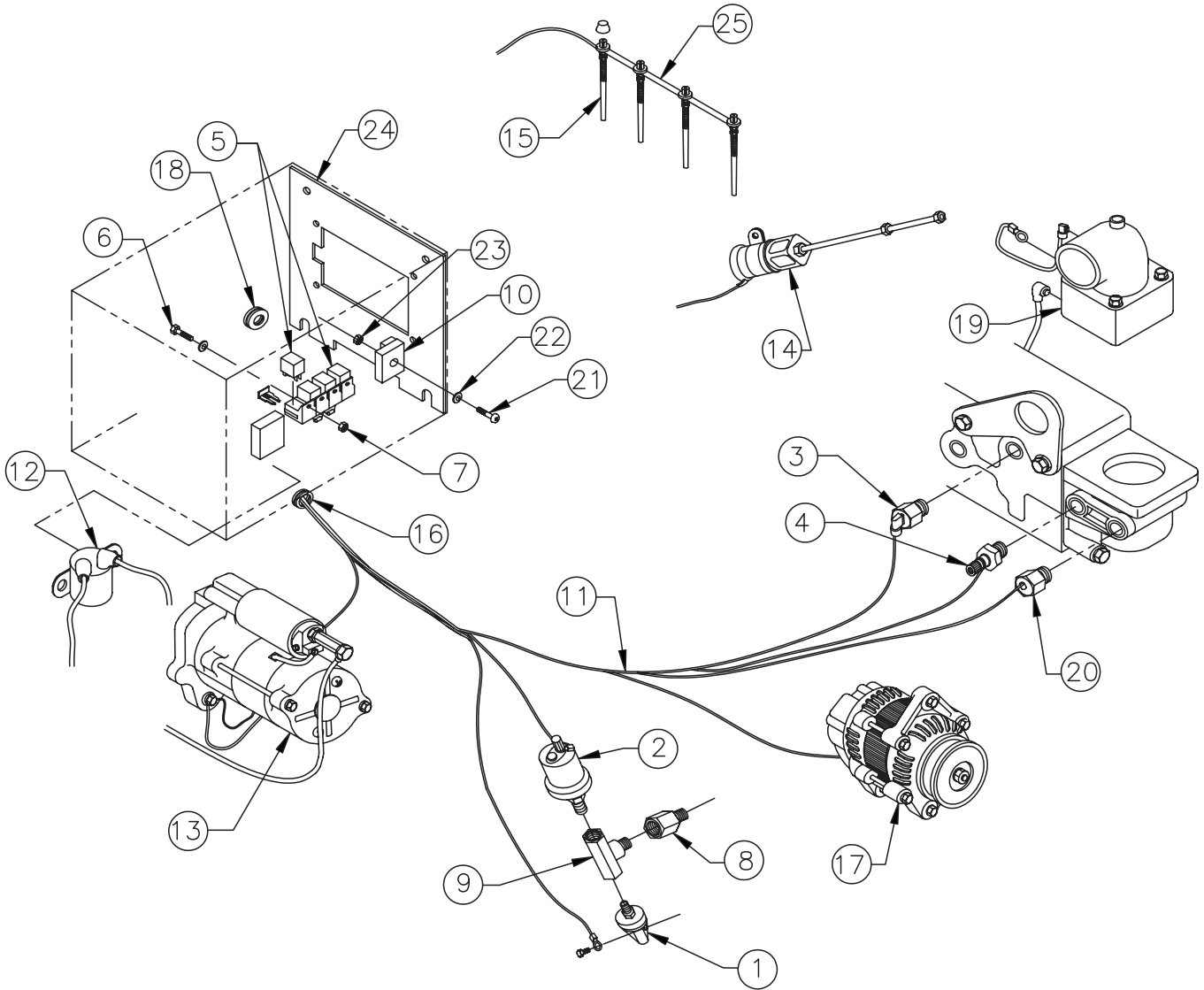
Electrical System 12 Volt Standard Ground

NL944D3

1	22-40233	1	Oil Pressure Switch 15 PSI	-
2	22-41016	1	Pressure Sender 0-80 PSI, Standard Ground	-
3	MC880900	1	Temperature Switch, 100°C/ 212°F	-
4	22-45201	1	Temperature Sender 250°F, Standard Ground	-
	15-01001	1	Sealing Washer, M16	-
5	22-71256-1	1	Relay Board Sub-Assembly (see parts detail) (former # 22-70083-1)	-
	22-42047	4	Relay, SPDT 12 VDC 50 Amp	-
6	12-00001	4	Machine Screw, PH Phillips #10-32 x 3/4" S/S	-
7	14-00032	4	Hex Nut, Nylock #10-32 S/S	-
8	21-00139	1	Female Adapter, Steel 1/8 NPT x 1/8 BSPT	-
9	21-21001	1	Male Branch Tee, Steel 1/8 NPT x 1/8 NPT	-
10	22-40407	1	Timer Module 12 VDC 20 Amp	-
11	22-41202	1	Engine Wire Harness	-
12	28-68502	1	Plate, J-box Access & S-1B Panel Mtg.	-
13	32A6610101	1	Starter, 2.2 kW 12 V Standard Ground	-
14	32A8707060	1	Stop Solenoid Assembly 12 Volt	-
15	32A6603100	4	Glow Plug 12 V	-
16	00-40028	1	Grommet 7/8" x 1-1/2" OD	-
17	32A6800401	1	Alternator, 12V/ 50 Amp Standard Ground (see parts detail)	-
18	00-70051	1	Grommet, 3/4" I.D. x 2" O.D.	-
19	32A6604101	1	Connection Strip	-
20	12-00032	1	Capscrew, Hex Head M6 x 1.0 x 30 mm	-
21	15-00008	1	Flat Washer M6	-
22	14-04803	1	Nylock Nut M6 x 1.0	-

Electrical System 12 Volt Standard Ground

NL944T3



A-12446/ B-9681

Electrical System 12 Volt Standard Ground

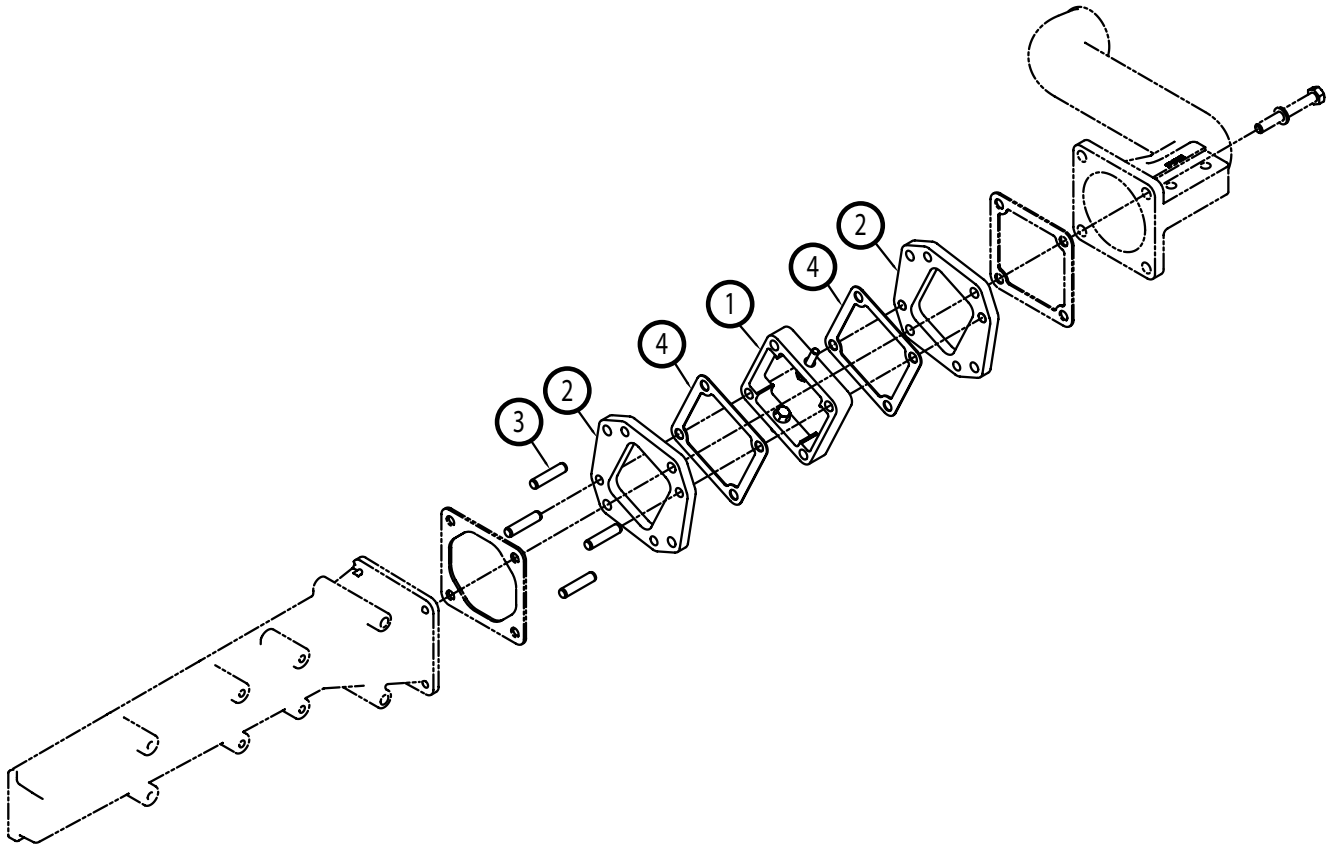
NL944T3

KEY	PART NUMBER	QTY	DESCRIPTION	SERIAL NUMBER
1	22-40233	1	Oil Pressure Switch	-
2	22-41016	1	Pressure Sender, 0-80 PSI, Standard Ground	-
3	MC880900	1	Temperature Switch 100°C/ 212°F	-
4	22-45201	1	Temperature Sender, 250°F Standard Ground	-
	15-01001	1	Sealing Washer, Copper M16	-
5	22-42047	4	Relay, SPDT 12 VDC 50 Amp	-
	22-71256-1	1	Dual Station Relay Board Sub-Assembly (former #22-70083-1)	-
6	12-00001	4	Machine Screw, PH Phillips #10-32 x 3/4" S/S	-
7	14-00032	4	Hex Nut, Nylock #10-32 S/S	-
8	21-00139	1	Female Adapter, Steel 1/8 NPT x 1/8 BSPT	-
9	21-21001	1	Male Branch Tee, Steel 1/8 NPT x 1/8 NPT	-
10	22-40407	1	Timer Module 12 VDC 20 Amp	-
11	22-41202	1	Engine Wire Harness	-
12	22-41131	1	Solenoid 12 VDC 100 Amp N.O. Isolated Ground	-
13	32A6610101	1	Starter 2.2 kW 12 V Standard Ground	-
14	32A8703100	1	Stop Solenoid 12 V	-
15	32A6607011	4	Glow Plug 12 V	-
16	00-40028	1	Grommet 7/8" I.D. x 1-1/2" O.D.	-
17	32A6806600	1	Alternator 12V/ 75 Amp (see parts detail)	-
18	00-70051	1	Grommet 3/4" I.D. x 2" O.D.	-
19	32B6606500	1	Controller, Air Inlet Heater 12V	-
20	22-41211	1	Temperature Sensor, Air Heater	-
21	12-00032	1	Capscrew, Hex Head M6 x 1.0 x 30 mm	-
22	15-00008	1	Flat Washer M6	-
23	14-04803	1	Nylock Nut M6 x 1.0	-
24	28-68502	1	Plate, S-1B Panel Mounting	-
25	32A6604101	1	Connection Strip	-

GROUP 5 – ELECTRICAL SYSTEM

Electrical System Air Intake Heater Sub-Assembly

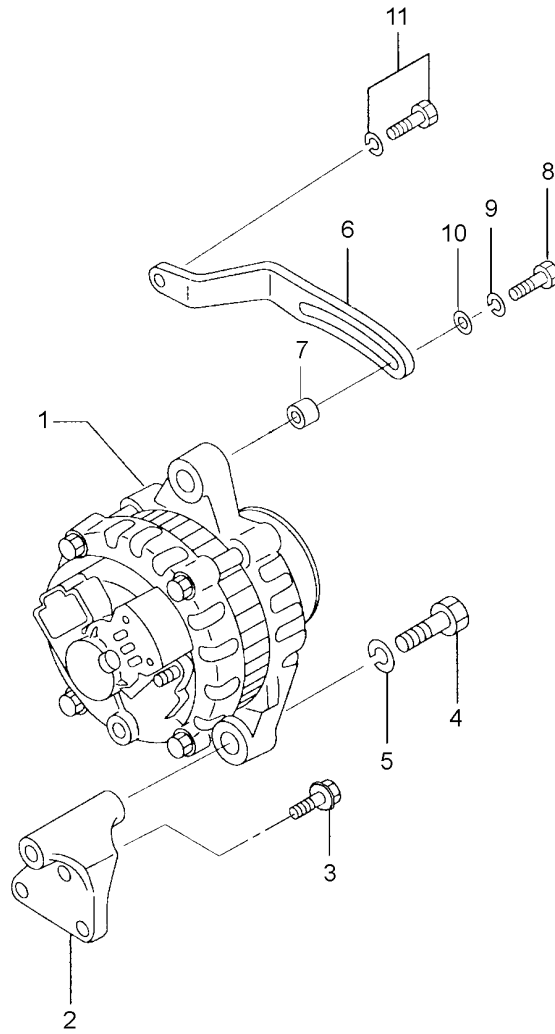
M944T3 - M40C3



KEY	PART NUMBER	QTY	DESCRIPTION	SERIAL NUMBER
1		1	Intake Air Heater 1200 Watt 24 Volt 55 Amp Standard Ground	-
	22-21206	1	Intake Air Heater 1200 Watt 24 Volt 55 Amp Isolated Ground	-
2	28-21201	2	Plate	-
3	32-21201	4	Dowel Pin 8mmOD X 36mm S/S	-
4	121850-77021	2	Gasket	-
			*Note: Replaced by isolated ground type 22-21206	

12V/ 50 Amp Small Frame Alternator and Mounting

M944 - M30CW



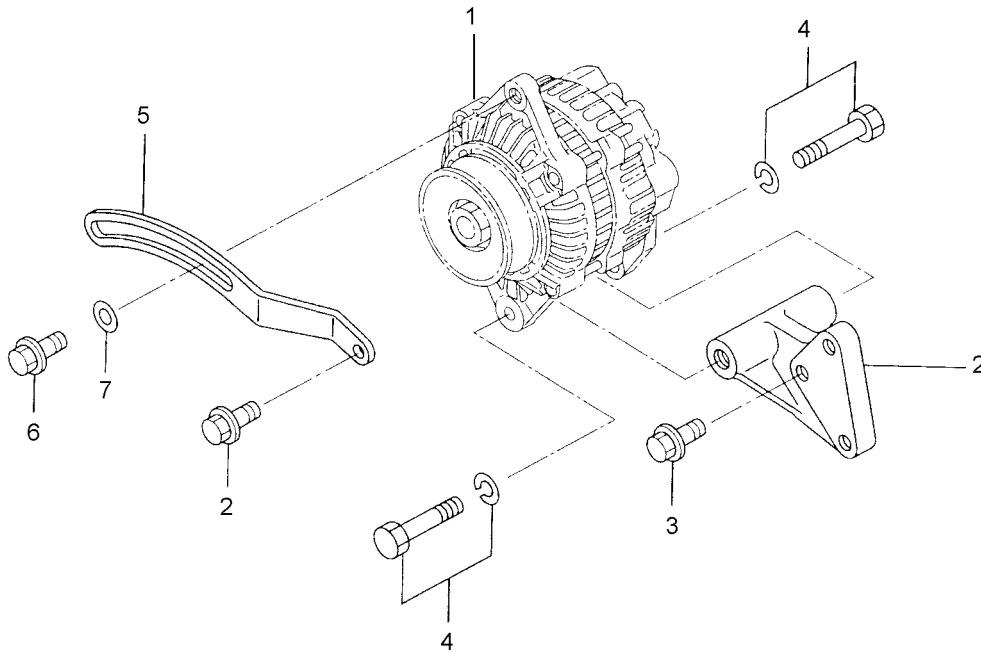
32B6826

KEY	PART NUMBER	QTY	DESCRIPTION	SERIAL NUMBER
1	32A6800302	1	Alternator 12 Volt/ 50 Amp (see Parts Detail)	-
2	32A6801201	1	Bracket	-
3	32A1302700	1	Bolt, Flange Head	-
4	F103510040	1	Bolt	-
5	F251510000	1	Spring Washer	-
6	23-41201	1	Tensioning Arm	-
7	21-13110	1	Spacer	-
8	12-09714	1	Flange Bolt	-
9	15-00705	1	Washer	-
10	15-70004	1	Flat Washer	-
11	12-00717	1	Capscrew, Hex Head M8 x 1.25 x 60 mm	-
12	40-05404	1	Drive Belt 31/64" x 46- 3/8" (not shown)	-

GROUP 5 – ELECTRICAL SYSTEM

12V/ 50 Amp Small Frame Alternator and Mounting

NL944D3

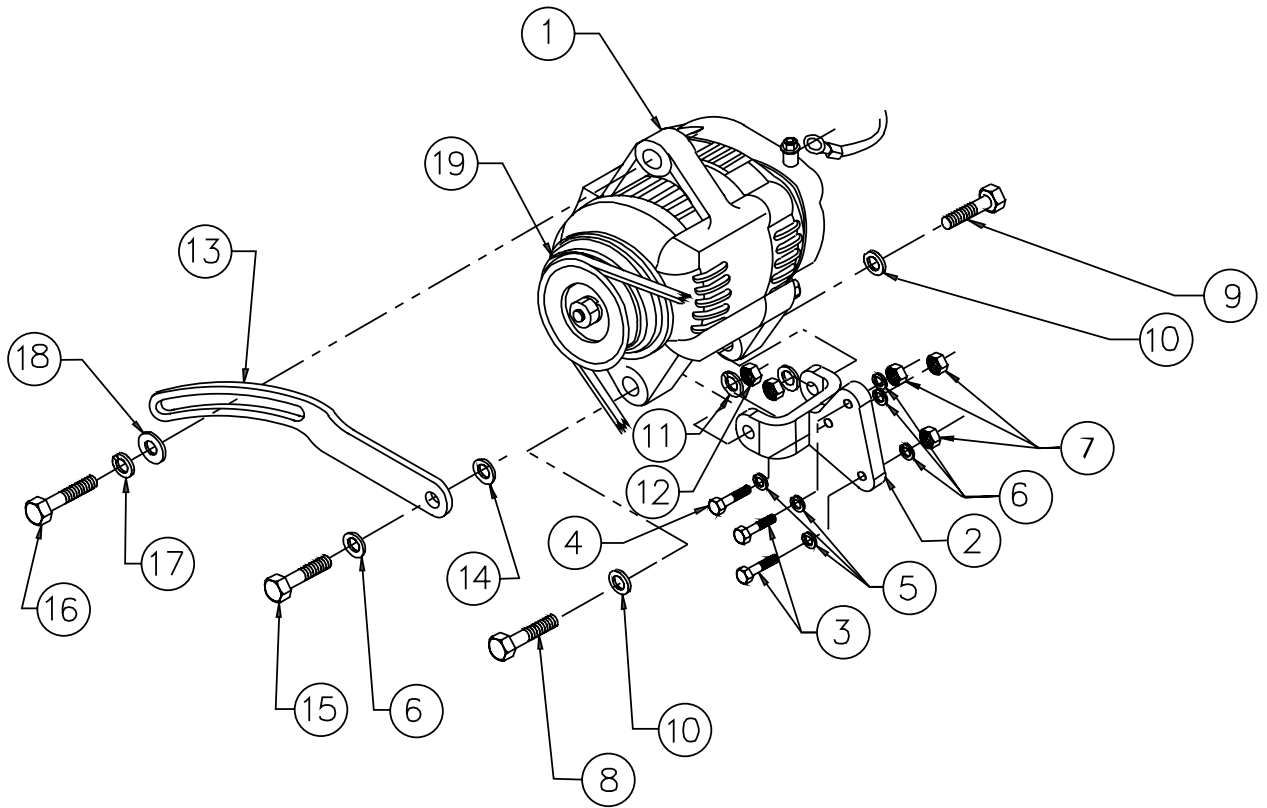


32B6859

KEY	PART NUMBER	QTY	DESCRIPTION	SERIAL NUMBER
1	32A6800401	1	Alternator 12V/ 50 Amp (see Parts Detail)	-
2	32A6801103	1	Bracket	-
3	32A1302700	2	Bolt, Flange Head	-
4	MF241284	2	Bolt with Washer	-
5	32A6811601	1	Tensioning Arm	-
6	MF140026	1	Bolt, Flange Head	-
7	MD001521	1	Washer	-

Small Frame Alternator and Mounting

12 Volt/ 75 Amp
M944T3 - M40C3

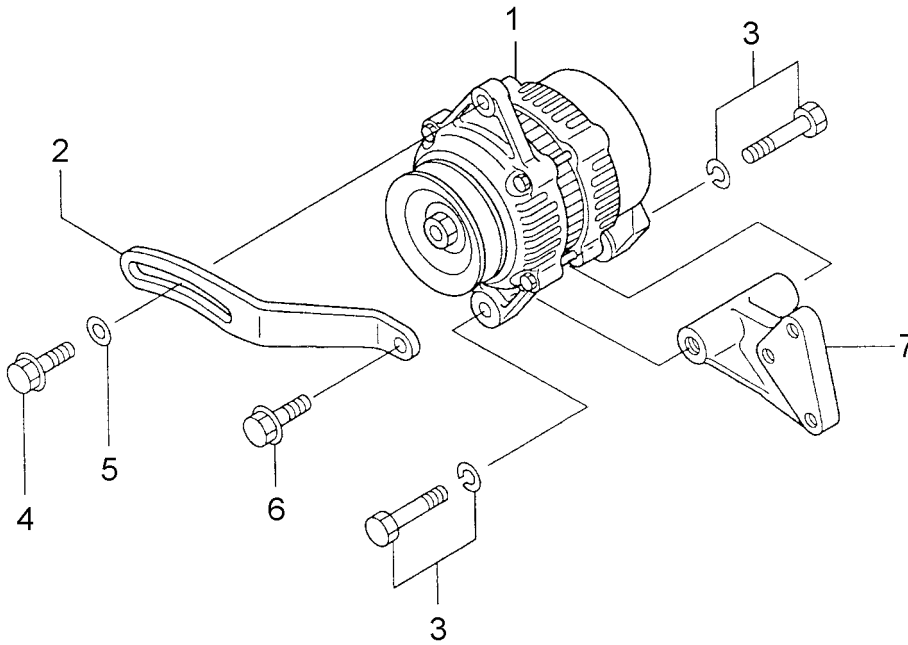


A-12257

KEY	PART NUMBER	QTY	DESCRIPTION	SERIAL NUMBER
1	32A6806600	1	Alternator 12 Volt/ 75 Amp (see Parts Detail)	-
2	23-41205	1	Bracket	-
3	12-00718	2	Capscrew, Hex Head M8 x 1.25 x 65 mm	-
4	12-00753	1	Capscrew, Hex Head M8 x 1.25 x 30 mm	-
5	15-00701	3	Flat Washer, M8	-
6	15-00702	4	Lock Washer, Helical M8	-
7	14-00711	3	Hex Nut, M8 x 1.25	-
8	12-00814	1	Capscrew, Hex Head M10 x 1.5 x 35 mm	-
9	12-00812	1	Capscrew, Hex Head M10 x 1.5 x 40 mm	-
10	15-00805	2	Flat Washer, M10	-
11	15-00802	2	Lock Washer, Helical M10	-
12	14-00811	2	Hex Nut, M10 x 1.5	-
13	23-41206	1	Bracket, Tensioning Arm	-
14	15-00708	1	Stud Washer, 8.4 mm I.D. x 21 mm O.D. x 4 mm	-
15	12-00718	1	Capscrew, Hex Head M8 x 1.25 x 65 mm	-
16	12-09712	1	Capscrew, Hex Head M8 x 1.25 x 25 mm	-
17	15-00705	1	Lock Washer, Helical M8 S/S	-
18	15-70004	1	Snubbing Washer S/S 0.35" I.D. x 0.94	-
19	40-45401	1	Drive Belt, 11/16 x 48"	-

12 V/ 75 Amp Alternator and Mounting

NL944T3

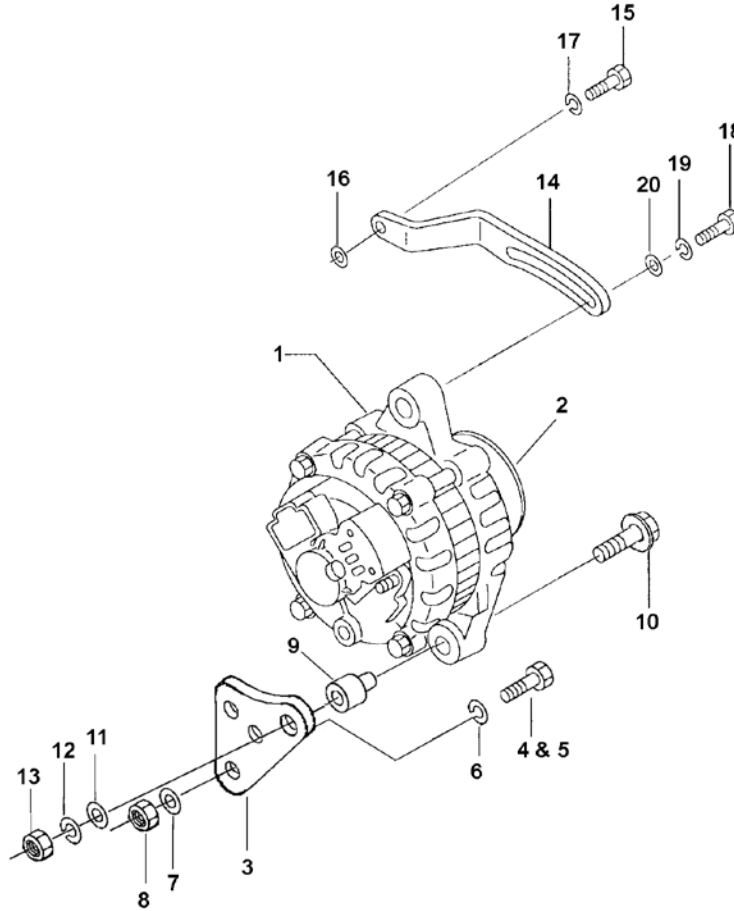


32B6830D

KEY	PART NUMBER	QTY	DESCRIPTION	SERIAL NUMBER
1	32A6806600	1	Alternator Assembly	-
2	32A6811601	1	Adjusting Plate	-
3	MF241284	2	Bolt with Washer	-
4	MF140026	1	Bolt, Flange Head	-
5	MD001521	1	Washer	-
6	32A1302700	2	Bolt, Flange Head	-
7	32A6801103	1	Alternator Bracket	-
8	0591020045	1	Drive Belt (not shown)	-

Medium Frame Alternators And Mounting

M944 - M30CW



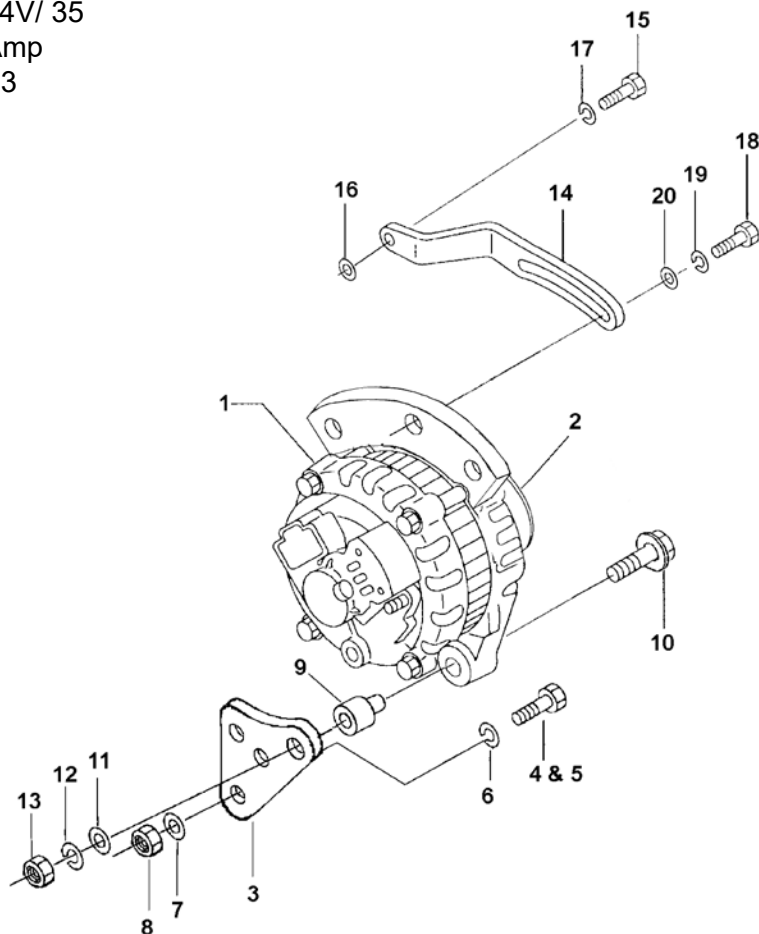
32B6826withadditions

KEY	PART NUMBER	QTY	DESCRIPTION	SERIAL NUMBER
1	22-40332	1	Alternator 12 Volt/ 90 Amp Isolated Ground	-
	22-71052	1	Alternator 24 Volt/ 35 Amp Isolated Ground	-
	22-40278	1	Alternator 24 Volt/ 40 Amp Standard Ground	-
2	34-41000	1	Pulley 1- A/B x 2- 1/2" x 5/8" I.D.	-
3	23-41202	1	Bracket, Medium Frame Alternator	-
4	12-00718	2	Capscrew, Hex Head M8 x 1.25 x 65 mm	-
5	12-00753	1	Capscrew, Hex Head M8 x 1.25 x 30 mm	-
6	15-00701	3	Flat Washer M8	-
7	15-00702	3	Lock Washer, Helical M8	-
8	14-00711	3	Hex Nut M8 x 1.25	-
9	31-49501	1	Adapter	-
10	01435-01075	1	Capscrew, Hex Head Flanged M10 x 1.5 x 75 mm	-
11	15-00805	1	Flat Washer M10	-
12	15-00802	1	Lock Washer, Helical M10	-
13	14-00811	1	Hex Nut M10 x 1.5	-
14	23-41201	1	Tensioning Arm	-
15	12-00717	1	Capscrew, Hex Head M8 x 1.25 x 60 mm	-
16	15-00701	1	Flat Washer M8	-
17	15-00702	1	Lock Washer Helical M8	-
18	12-00212	1	Capscrew, Hex Head 5/16- 18 x 1"	-
19	15-00202	1	Lock Washer Helical 5/16	-
20	15-70004	1	Snubbing Washer S/S	-
21	40-05404	1	Drive Belt 31/64" x 46- 3/8" (not shown)	-
22	22-70048	1	Diode Harness Addition (24V/35A & 24V/40A alternators only)	-
23	22-41206	1	Cable, Positive #4 AWG x 12 - 3/4"	} Not Shown
24	22-41207	1	Cable, Negative #4 AWG x 12 -1/2"	

GROUP 5 – ELECTRICAL SYSTEM

Medium Frame Alternator and Mounting

12V/ 90 Amp - 24V/ 35
 Amp - 24V/ 40 Amp
 M944T3 - M40C3

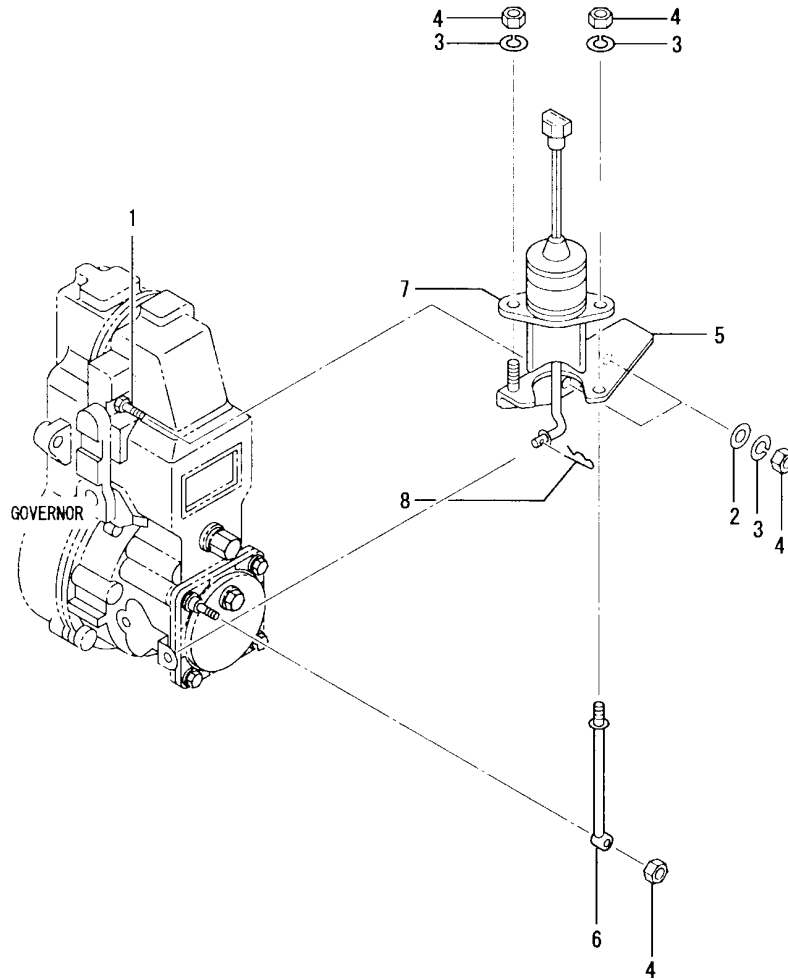


32B6826withadditions

KEY	PART NUMBER	QTY	DESCRIPTION	SERIAL NUMBER
1	22-40332	1	Alternator 12 Volt/ 90 Amp Isolated Ground	-
	22-71052	1	Alternator 24 Volt/ 35 Amp Isolated Ground	-
	22-40278	1	Alternator 24 Volt/ 40 Amp Standard Ground	-
2	34-41000	1	Pulley 1- A/B x 2- 1/2" x 5/8" I.D.	-
3	23-41202	1	Bracket, Medium Frame Alternator	-
4	12-00718	2	Capscrew, Hex Head M8 x 1.25 x 65 mm	-
5	12-00753	1	Capscrew, Hex Head M8 x 1.25 x 30 mm	-
6	15-00701	3	Flat Washer M8	-
7	15-00702	3	Lock Washer, Helical M8	-
8	14-00711	3	Hex Nut M8 x 1.25	-
9	31-41200	1	Adapter	-
10	01435-01075	1	Capscrew, Hex Head Flanged M10 x 1.5 x 75 mm	-
11	15-00805	1	Flat Washer M10	-
12	15-00802	1	Lock Washer, Helical M10	-
13	14-00811	1	Hex Nut M10 x 1.5	-
14	23-41201	1	Tensioning Arm	-
15	12-00718	1	Capscrew, Hex Head M8 x 1.25 x 65 mm	-
16	21-42208	1	Spacer	-
17	15-00702	1	Lock Washer Helical M8	-
18	12-00212	1	Capscrew, Hex Head 5/16- 18 x 1"	-
19	15-00202	1	Lock Washer Helical 5/16	-
20	15-70004	1	Snubbing Washer S/S	-
21	40-01201	1	Drive Belt 31/64" x 46- 3/8" (not shown) (former 40-05404)	-
22	22-70048	1	Diode Harness Addition (24V/35A & 24V/40A alternators only)	-

Stop Solenoid

M944W3 - M30CW - NL944D3

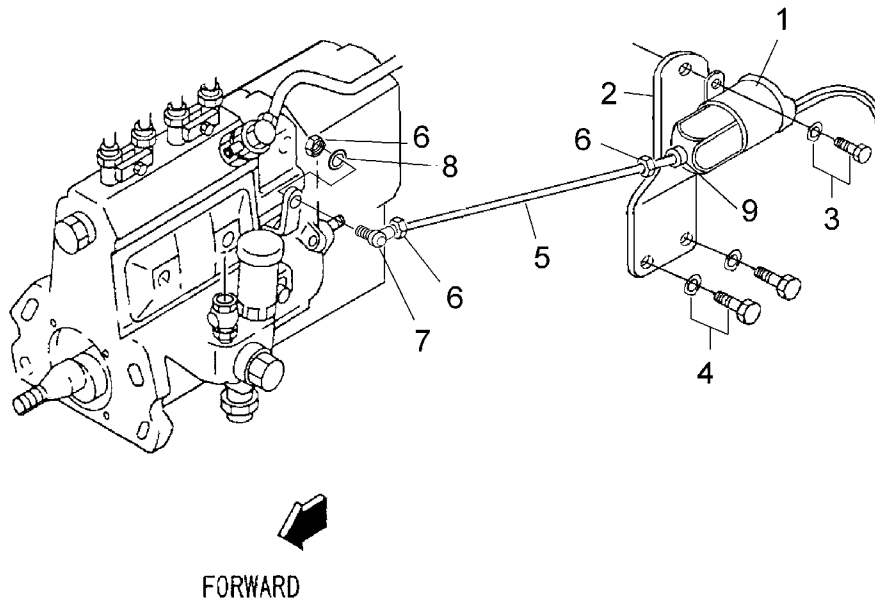


32B8705

KEY	PART NUMBER	QTY	DESCRIPTION	SERIAL NUMBER
1	3428702603	2	Rod	-
2	F250006000	2	Washer	-
3	F251506000	4	Spring Washer	-
4	F230006000	5	Lock Nut	-
5	32A8705300	1	Bracket	-
6	32A8705400	1	Support Rod	-
7	32A8705900	1	Solenoid 12 Volt	} M944 - M30CW
	22-51201	1	Solenoid 24 Volt	
	32A8707060	1	Solenoid 12 Volt NL944D3	
8	32A8705500	1	Clip	-

Stop Solenoid

M - NL944T3 & M40C3

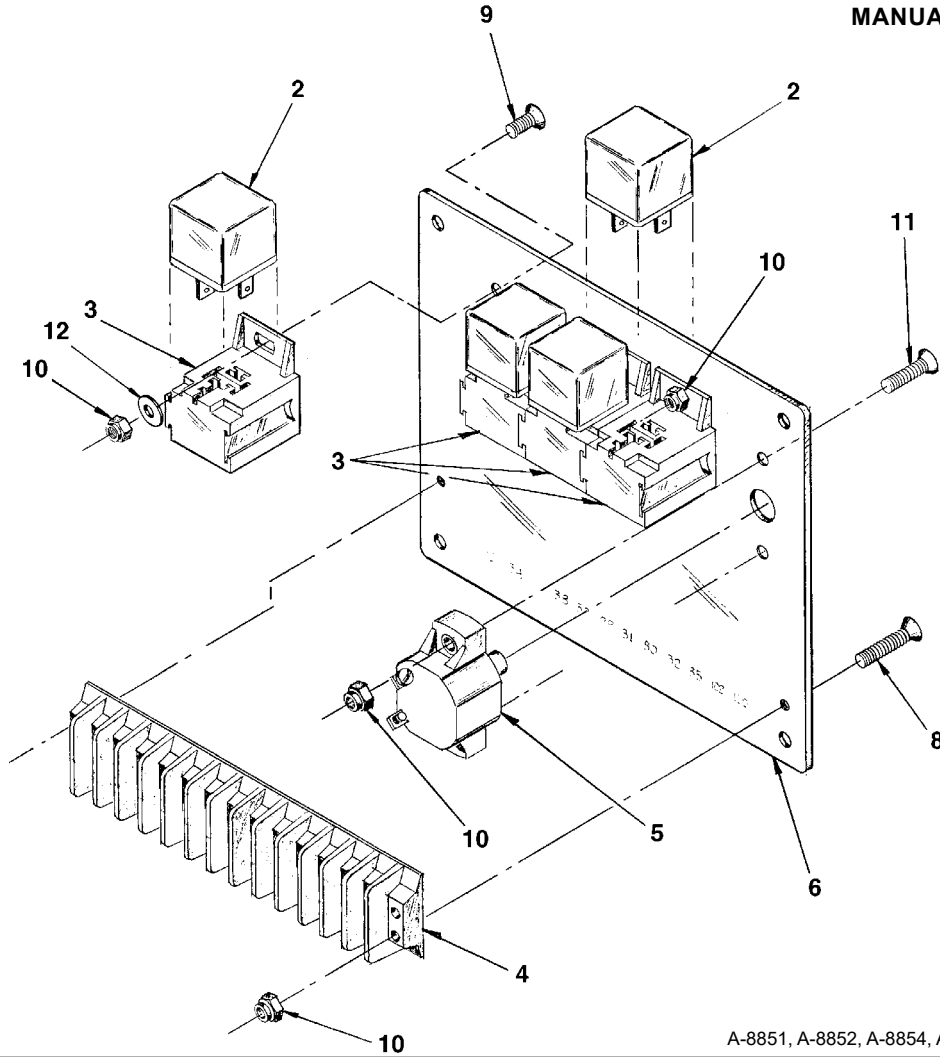


944T3solenoid

KEY	PART NUMBER	QTY	DESCRIPTION	SERIAL NUMBER
1	32A8703100	1	Solenoid (12 Volt)	-
	22-51202	1	Solenoid (24 Volt)	-
2	32A8703200	1	Bracket	-
3	F182506012	2	Bolt with Washer	-
4	F200512025	2	Bolt with Washer	-
5	0590106200	1	Rod	-
6	14-01131	3	Nut M6 x 1.0	-
7	00-52203	1	Ball Joint 90° M6 x 1.0	-
8	15-01132	1	Lock Washer M6	-
9	00-42505	1	In-Line Ball Joint M6 x 1.0	-

12 & 24 Volt Relay Logic Board M944T3, NL944D3-T3

MANUAL & AUTOSTART



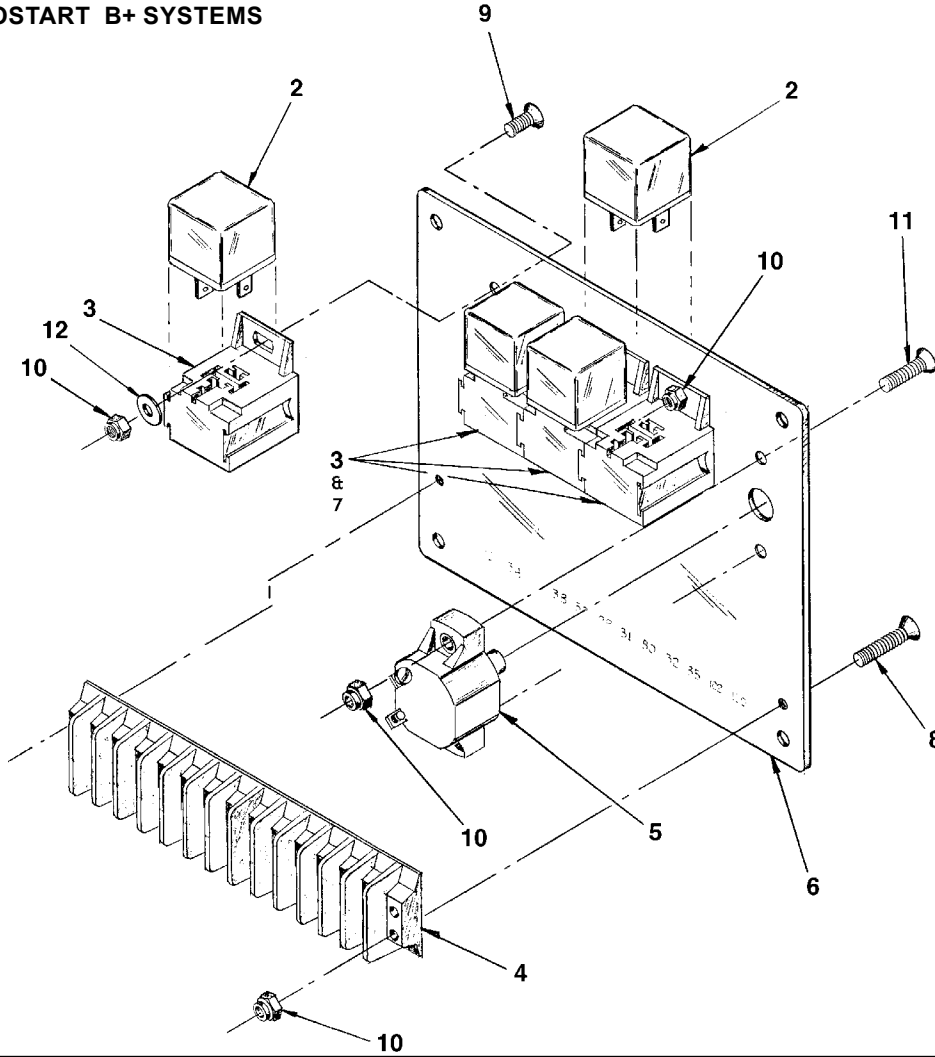
A-8851, A-8852, A-8854, A-8855/ C-2041

KEY	PART NUMBER	QTY	DESCRIPTION	SERIAL NUMBER
••	22-71256	1	12V Relay Logic Board, Manual Start (Includes all keys)	-
••	22-71257	1	24V Relay Logic Board, Manual Start (Includes all keys)	-
••	22-71258	1	12V Relay Logic Board, Autostart (Includes all keys)	-
••	22-71259	1	24V Relay Logic Board, Autostart (Includes all keys)	-
1	22-40299	2	6 amp Diode (not shown)	-
2	22-42047	4	12V Relay SPDT	-
	22-40085	4	24V Relay SPDT	-
3	22-40391	4	Relay Base	-
	22-40393	4	Clip	-
4	22-40193	1	12 Connection Terminal Strip	-
5	22-40018	1	10 Amp Circuit Breaker	-
6	28-40001	1	Mounting Plate - Manual Start Relay Board	-
	28-90018	1	Mounting Plate - Autostart Relay Board	-
7	22-40393	4	Terminal Retainer Clip (not shown)	-
8	12-00083	2	Machine Screw, Flat Head Countersunk #8-32 x 3/4"	-
9	12-00082	4	Machine Screw, Flat Head Countersunk #8-32 x 3/8"	-
10	14-00003	4	Hex Nut, Nylock, #8 x 32	-
11	12-43205	2	Machine Screw, Flat Head Countersunk, #8-32 x 7/8"	-
12	15-00001	4	Flat Washer, #8	-
13	22-41222	1	Wire Harness, Manual Start	} Not shown
	22-41223	1	Wire Harness, Autostart	

GROUP 5 - ELECTRICAL SYSTEMS

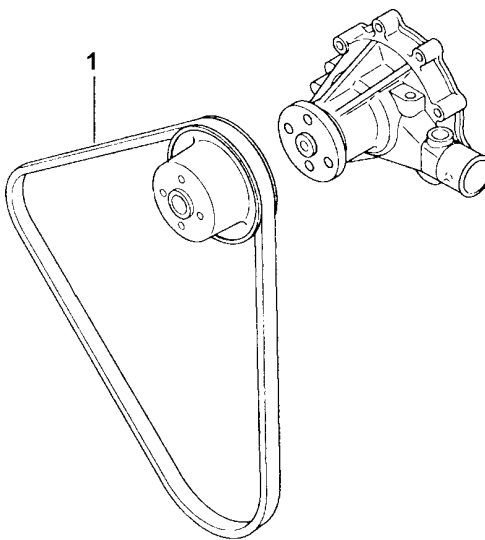
12 & 24 Volt Relay Logic Board M944T3

MANUAL & AUTOSTART B+ SYSTEMS



KEY	PART NUMBER	QTY	DESCRIPTION	SERIAL NUMBER
••	22-71263	1	12V Relay Logic Board, Manual Start & Autostart B+ (Includes all keys)	-
••	22-71264	1	24V Relay Logic Board, Manual Start & Autostart B+ (Includes all keys)	-
•	22-71263-1		Relay Logic Board Sub-Assembly - without relays	-
1	22-40299	2	6 amp Diode (not shown)	-
2	22-42047	4	12V Relay SPDT	-
	22-40085	4	24V Relay SPDT	-
3	22-40391	4	Relay Base	-
4	22-40193	1	Terminal Strip 12 Connection	-
5	22-40018	1	Circuit Breaker 10 Amp	-
6	28-40001	1	Mounting Plate	-
7	22-40393	4	Terminal Retainer Clip (not shown)	-
8	12-00083	2	Machine Screw, Flat Head Countersunk #8-32 x 3/4"	-
9	12-00082	4	Machine Screw, Flat Head Countersunk #8-32 x 3/8"	-
10	14-00003	4	Hex Nut, Nylock, #8 x 32	-
11	12-43205	2	Machine Screw, Flat Head Countersunk, #8-32 x 7/8"	-
12	15-00001	4	Flat Washer, #8	-
13	22-41243	1	Wire Harness, (Includes Key 1)	-

Drive Belt Applications



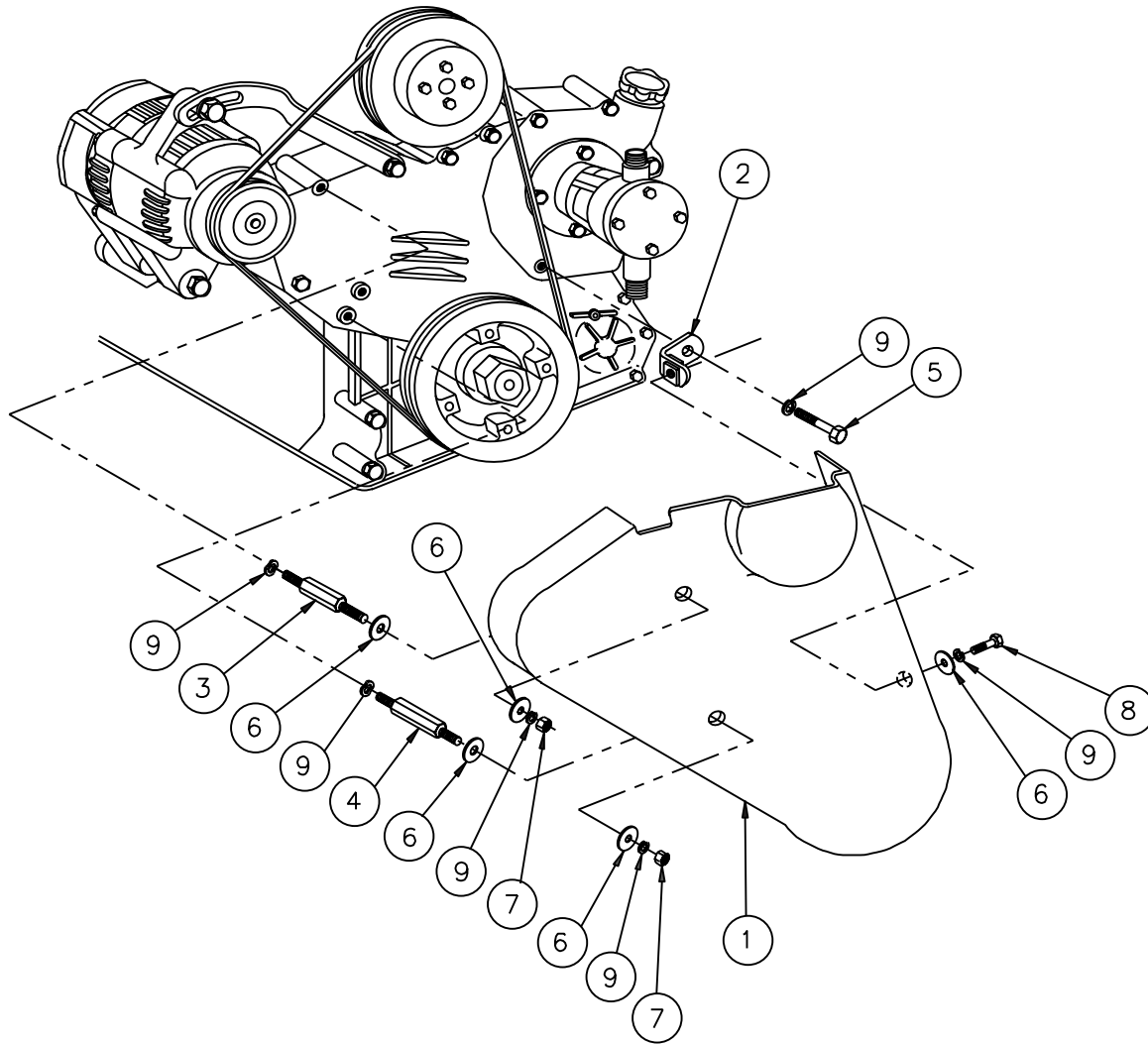
32B4812

PART NUMBER	QTY	DESCRIPTION
40-05404	1	L944D - M944W3 - M30CW3 Drive Belt Standard Small or Optional Medium Frame Size Alternators 12 V/ 50 Amp, 12 V/ 90 Amp, 24 V/ 35 Amp, 24 V/ 40 Amp
40-45401	1	M944T3 - M40C3 Drive Belt Standard 12V/ 75 Amp Alternator Optional Idler Assembly
40-01201	1	Drive Belt Optional 12V/ 90 Amp, 24V/ 35 Amp, and 24V/ 40 Amp Note: Units with Front PTO require 2 belts (1 ea. as spare)
40-05404	1	NL944D3 Standard 12 V / 50 A Small Frame Alternator
40-15001	1	NL944T3 Standard 12 V / 75 A Small Frame Alternator

GROUP 5 - ELECTRICAL SYSTEMS

Belt Guard M944W3

Heat Exchanged, No PTO

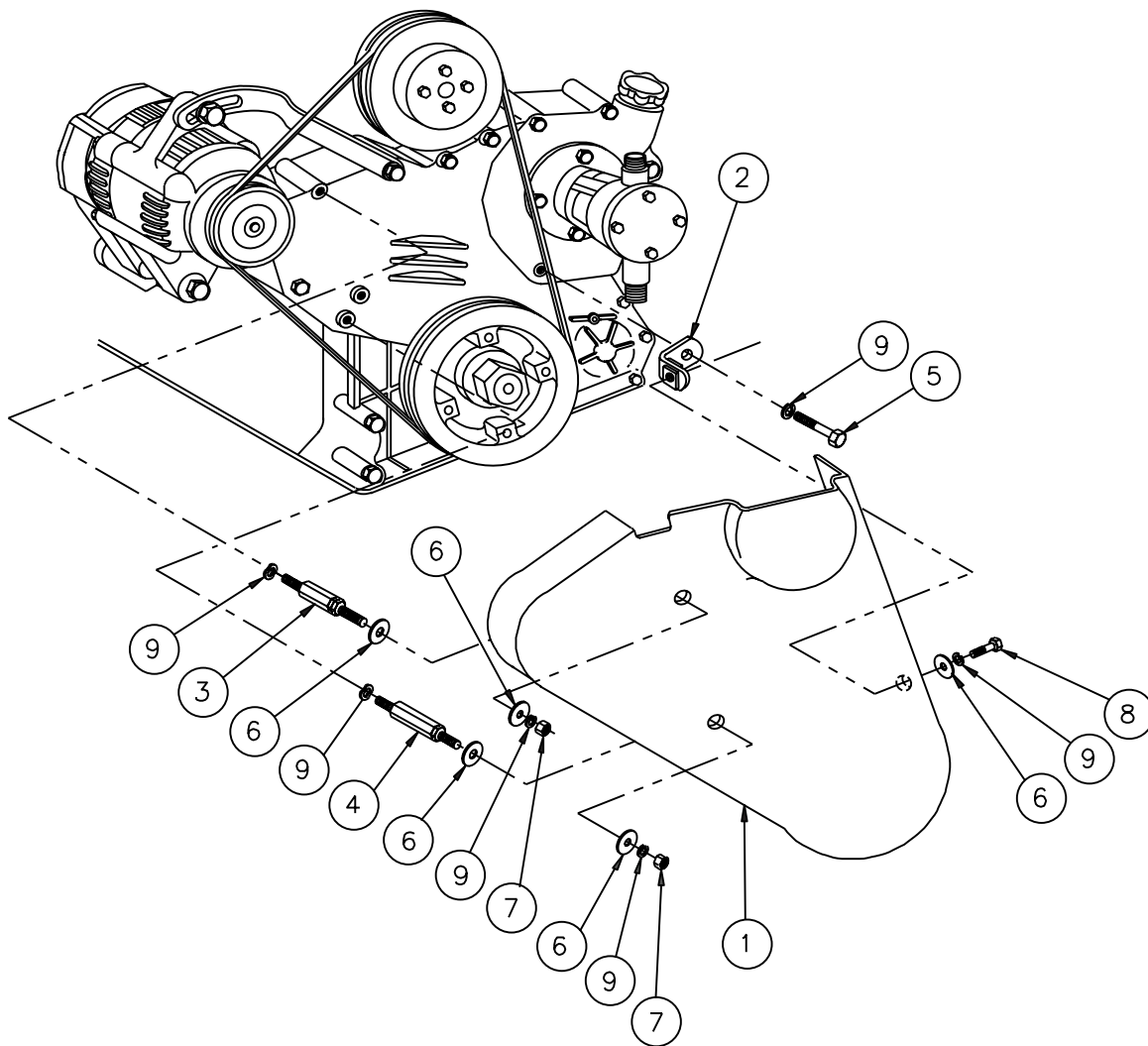


A-11400, A-11404/ B-9071

KEY	PART NUMBER	QTY	DESCRIPTION	SERIAL NUMBER
1	00-01207	1	Belt Guard, Small Frame 12V/ 50 Amp Alternator	-
	00-01204	1	Belt Guard, Medium Frame Alternators	-
2	23-01201	1	Bracket	-
3	13-01201	1	Stud, Belt Guard Mtg. Upper Right	-
4	13-01202	1	Stud, Belt Guard Mtg. Lower Right	-
5	12-00719	1	Capscrew, Hex Head M8 x 1.25 x 75 mm	-
6	15-70004	5	Snubbing Washer S/S	-
7	14-09711	2	Hex Nut M8 x 1.25 S/S	-
8	12-00776	1	Capscrew, Hex Head M8 x 1.25 x 20 mm S/S	-
9	15-00705	6	Lock Washer, Helical M8 S/S	-

Belt Guard M944T3 - M40C3

Heat Exchanged, No PTO



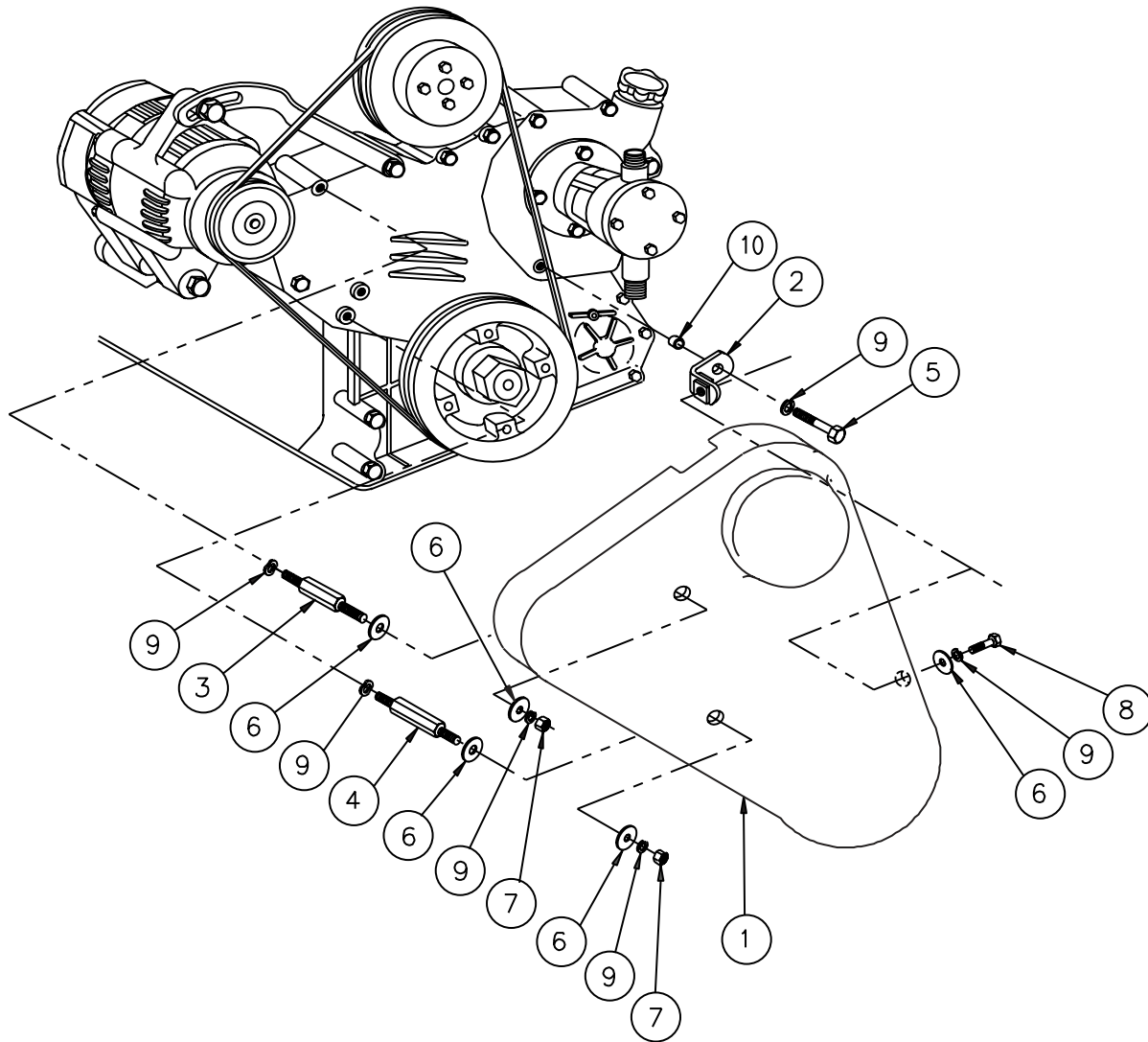
A-12181, A-12194/ B-9071z

KEY	PART NUMBER	QTY	DESCRIPTION	SERIAL NUMBER
1	00-01212	1	Belt Guard, Small Frame 12V/ 75 Amp Alternator	-
	00-01217	1	Belt Guard, Medium Frame Alternators	-
2	23-01201	1	Bracket	-
3	13-01203	1	Stud, Belt Guard Mtg. Upper Right	-
4	13-01204	1	Stud, Belt Guard Mtg. Lower Right	-
5	12-00719	1	Capscrew, Hex Head M8 x 1.25 x 75 mm	-
6	15-70004	5	Snubbing Washer S/S	-
7	14-09711	2	Hex Nut M8 x 1.25 S/S	-
8	12-00776	1	Capscrew, Hex Head M8 x 1.25 x 20 mm S/S	-
9	15-00705	6	Lock Washer, Helical M8 S/S	-

GROUP 5 – ELECTRICAL SYSTEM

Belt Guard - M944W3

Keel Cooled, No PTO

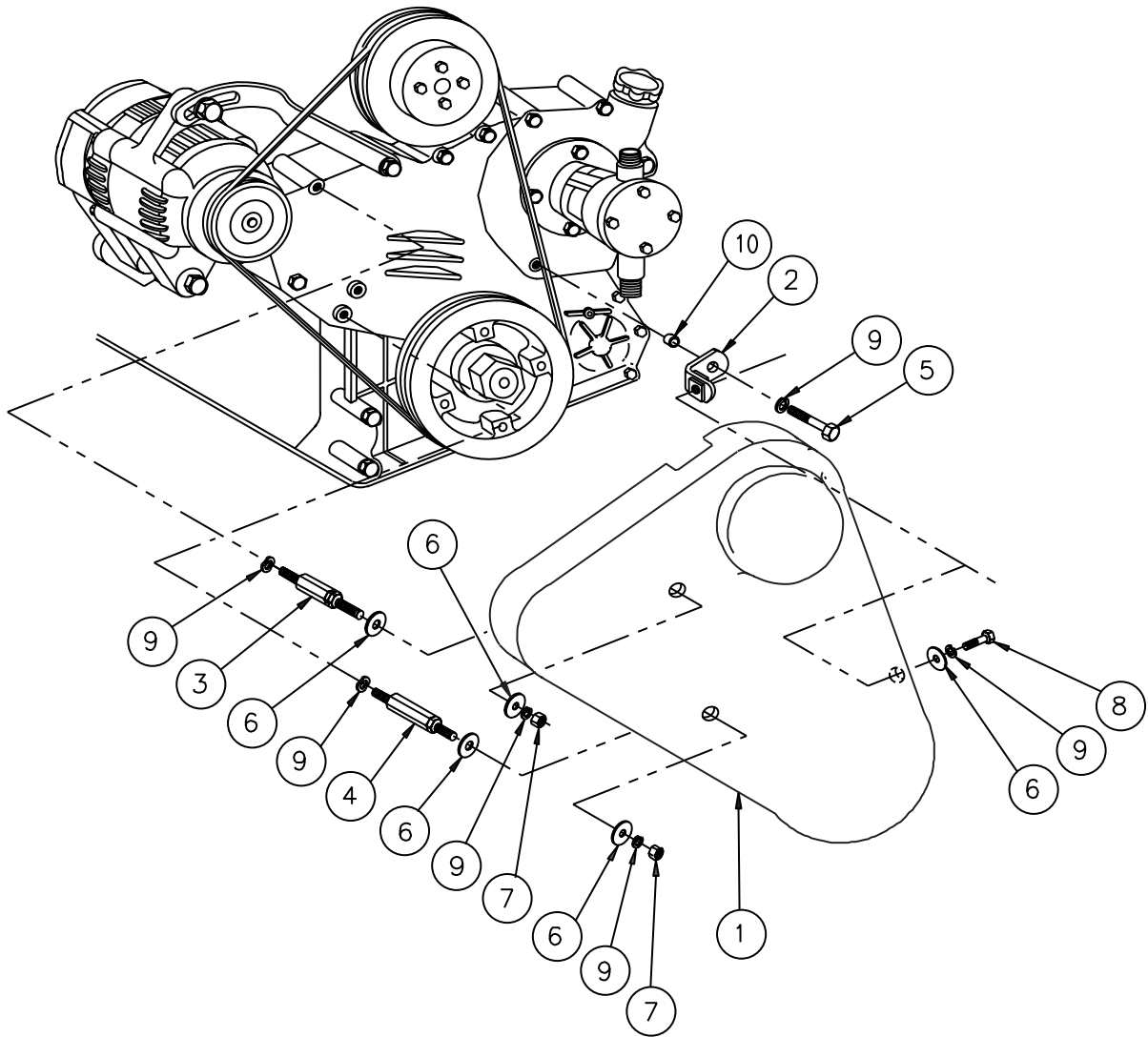


A-11227, A-11403/ B-9070

KEY	PART NUMBER	QTY	DESCRIPTION	SERIAL NUMBER
1	00-01201	1	Belt Guard, Small Frame 12V/ 50 Amp Alternator	-
	00-01202	1	Belt Guard, Medium Frame Alternators	-
2	23-01201	1	Bracket	-
3	13-01201	1	Stud, Belt Guard Mtg. Upper Right	-
4	13-01202	1	Stud, Belt Guard Mtg. Lower Right	-
5	12-00719	1	Capscrew, Hex Head M8 x 1.25 x 75 mm	-
6	15-70004	5	Snubbing Washer S/S	-
7	14-09711	2	Hex Nut M8 x 1.25 S/S	-
8	12-00776	1	Capscrew, Hex Head M8 x 1.25 x 20 mm S/S	-
9	15-00705	6	Lock Washer, Helical M8 S/S	-
10	21-41103	1	Spacer (without front oil fill only)	-

Belt Guard M944T3 & M40C3

Keel Cooled, No PTO



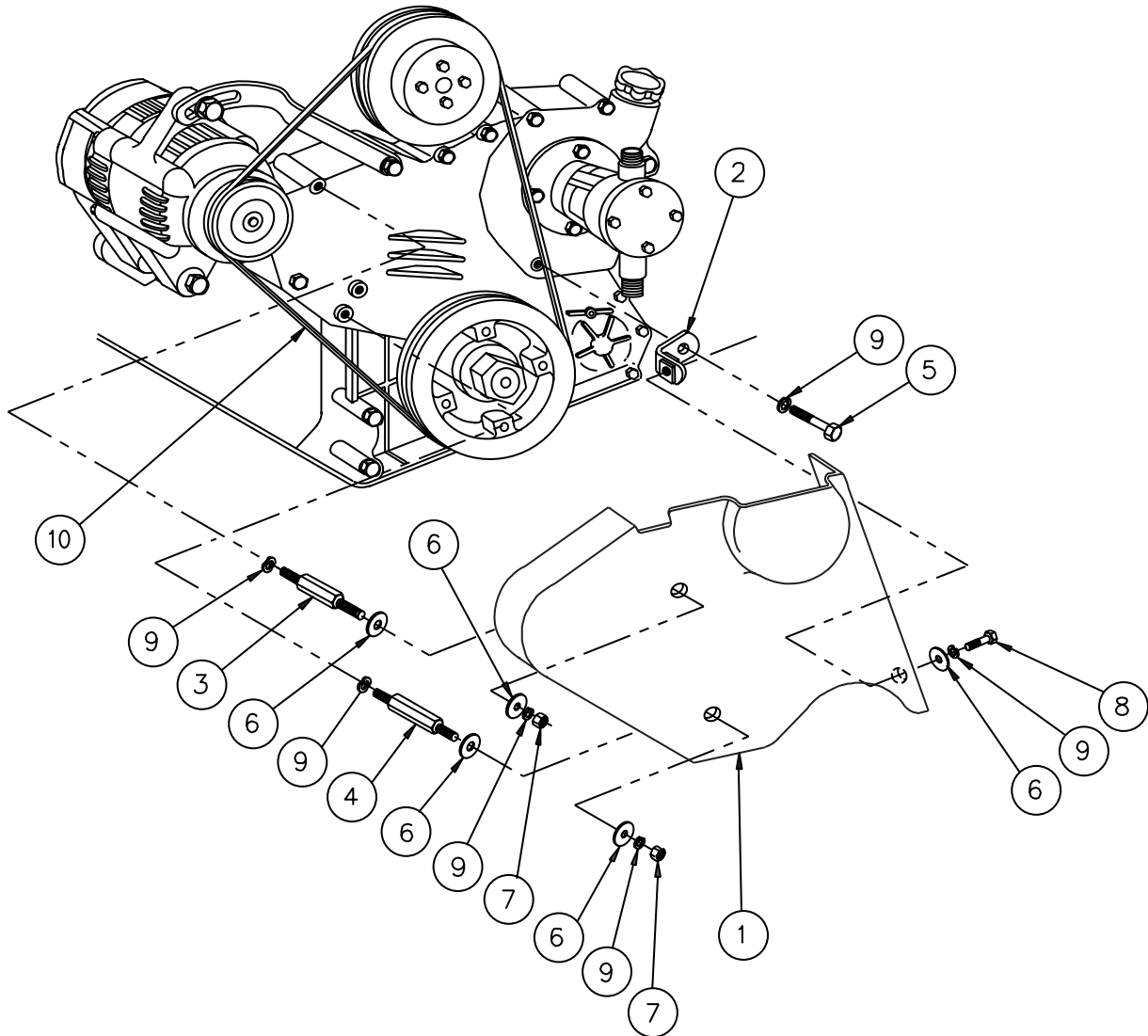
A-11227, A-11403/ B-9070z

KEY	PART NUMBER	QTY	DESCRIPTION	SERIAL NUMBER
1	00-01213	1	Belt Guard, Small Frame 12V/ 75 Amp Alternator	-
	00-01218	1	Belt Guard, Medium Frame Alternators	-
2	23-01201	1	Bracket	-
3	13-01203	1	Stud, Belt Guard Mtg. Upper Right	-
4	13-01204	1	Stud, Belt Guard Mtg. Lower Right	-
5	12-00719	1	Capscrew, Hex Head M8 x 1.25 x 75 mm	-
6	15-70004	5	Snubbing Washer S/S	-
7	14-09711	2	Hex Nut M8 x 1.25 S/S	-
8	12-00776	1	Capscrew, Hex Head M8 x 1.25 x 20 mm S/S	-
9	15-00705	6	Lock Washer, Helical M8 S/S	-
10	21-41103	1	Spacer (without front oil fill only)	-

GROUP 5 – ELECTRICAL SYSTEM

Belt Guard M944W3

Heat Exchanged and PTO

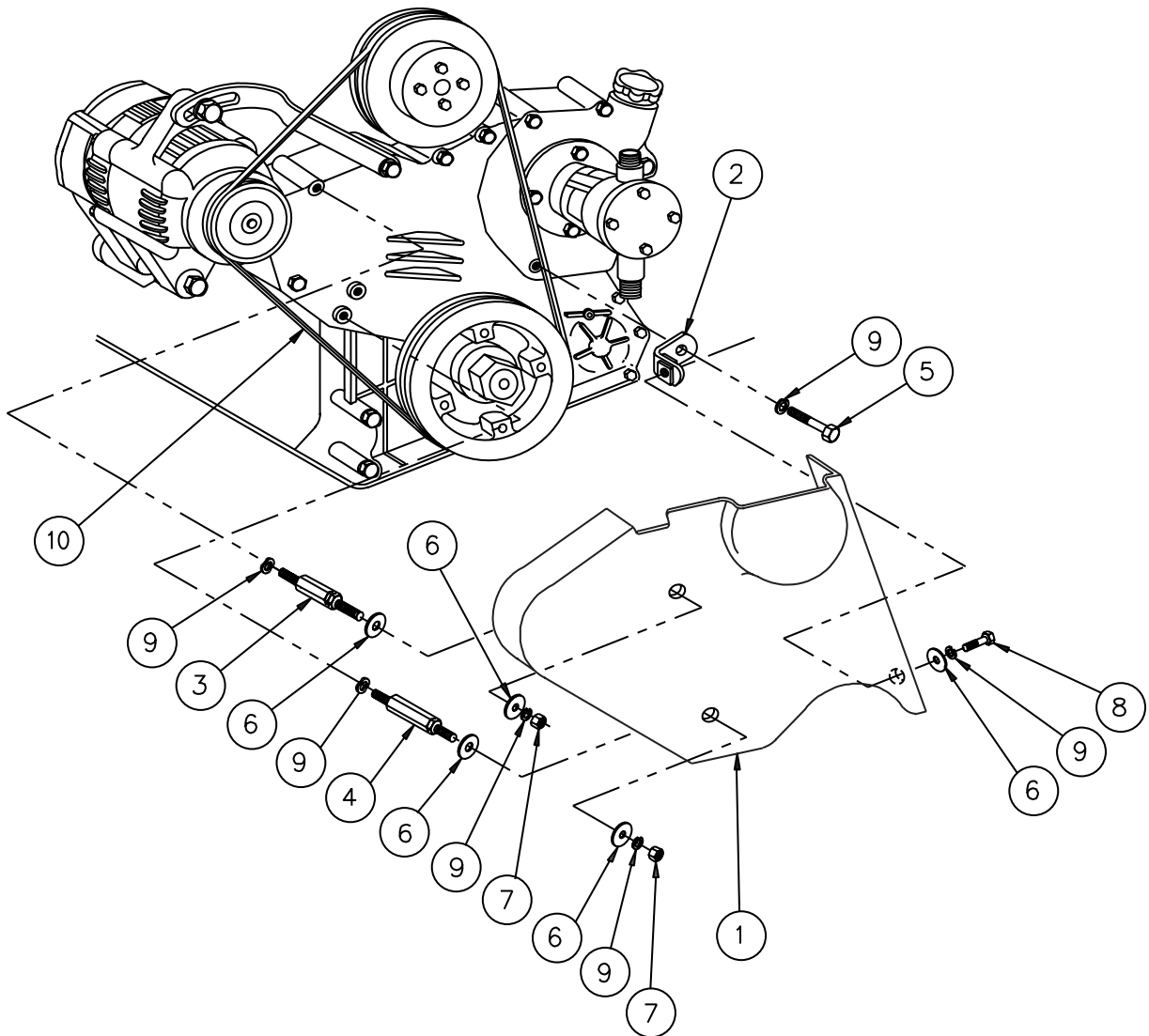


A-11402, A-11406/ B-9072

KEY	PART NUMBER	QTY	DESCRIPTION	SERIAL NUMBER
1	00-01211	1	Belt Guard, Small Frame 12V/ 50 Amp Alternator	-
	00-01208	1	Belt Guard, Medium Frame Alternators	-
2	23-01201	1	Bracket	-
3	13-01201	1	Stud, Belt Guard Mtg. Upper Right	-
4	13-01202	1	Stud, Belt Guard Mtg. Lower Right	-
5	12-00719	1	Capscrew, Hex Head M8 x 1.25 x 75 mm	-
6	15-70004	5	Snubbing Washer S/S	-
7	14-09711	2	Hex Nut M8 x 1.25 S/S	-
8	12-00776	1	Capscrew, Hex Head M8 x 1.25 x 20 mm S/S	-
9	15-00705	6	Lock Washer, Helical M8 S/S	-
10	40-05404	2	Drive Belt	-

Belt Guard M944T3 & M40C3

Heat Exchanged and PTO



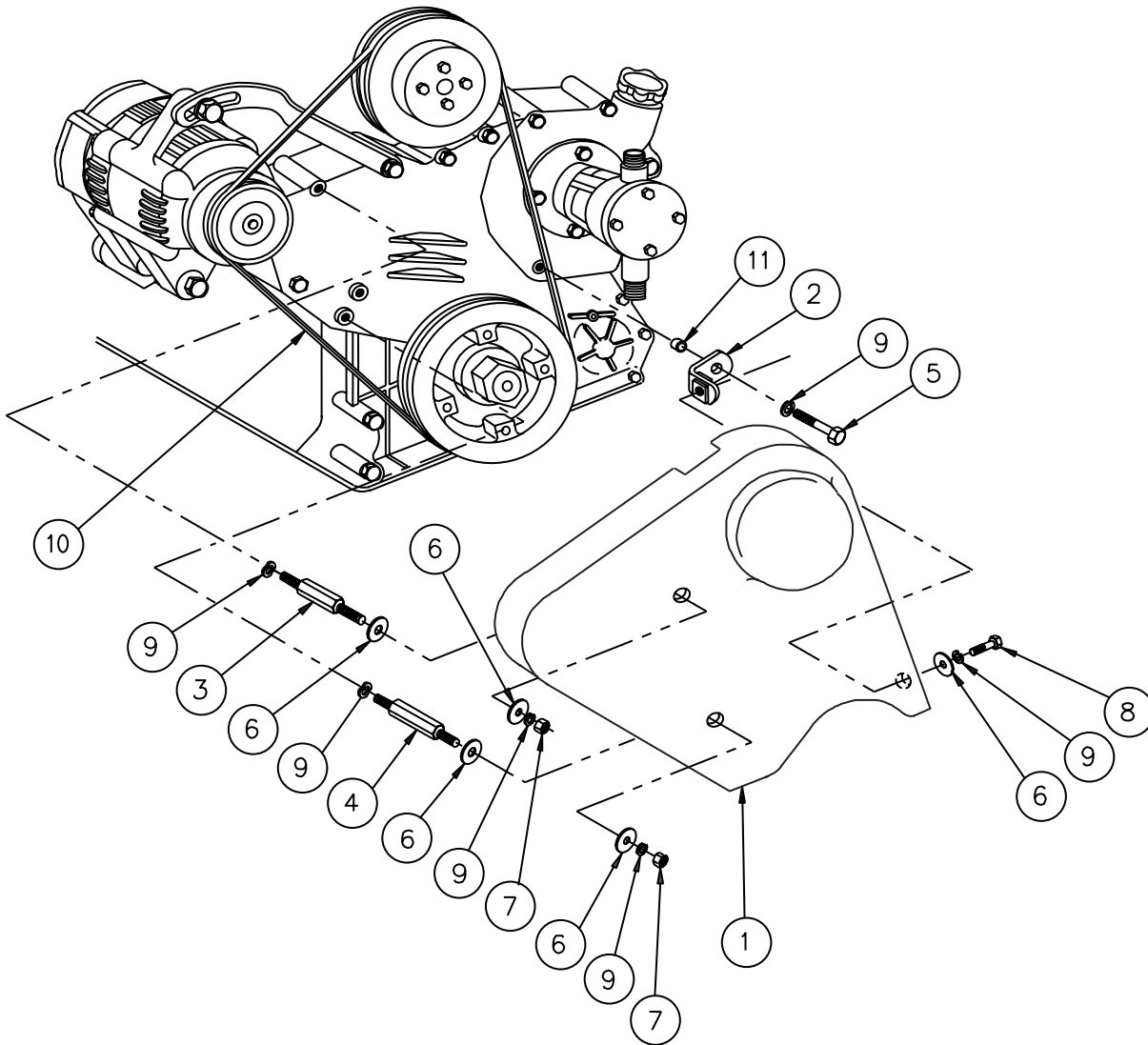
A-12192, A-12196/ B-9072z

KEY	PART NUMBER	QTY	DESCRIPTION	SERIAL NUMBER
1	00-01214	1	Belt Guard, Small Frame 12V/ 75 Amp Alternator	-
	00-01219	1	Belt Guard, Medium Frame Alternators	-
2	23-01201	1	Bracket	-
3	13-01203	1	Stud, Belt Guard Mtg. Upper Right	-
4	13-01204	1	Stud, Belt Guard Mtg. Lower Right	-
5	12-00719	1	Capscrew, Hex Head M8 x 1.25 x 75 mm	-
6	15-70004	5	Snubbing Washer S/S	-
7	14-09711	2	Hex Nut M8 x 1.25 S/S	-
8	12-00776	1	Capscrew, Hex Head M8 x 1.25 x 20 mm S/S	-
9	15-00705	6	Lock Washer, Helical M8 S/S	-
10	40-	2	Drive Belt	-

GROUP 5 – ELECTRICAL SYSTEM

Belt Guard M944W3

Keel Cooled and PTO

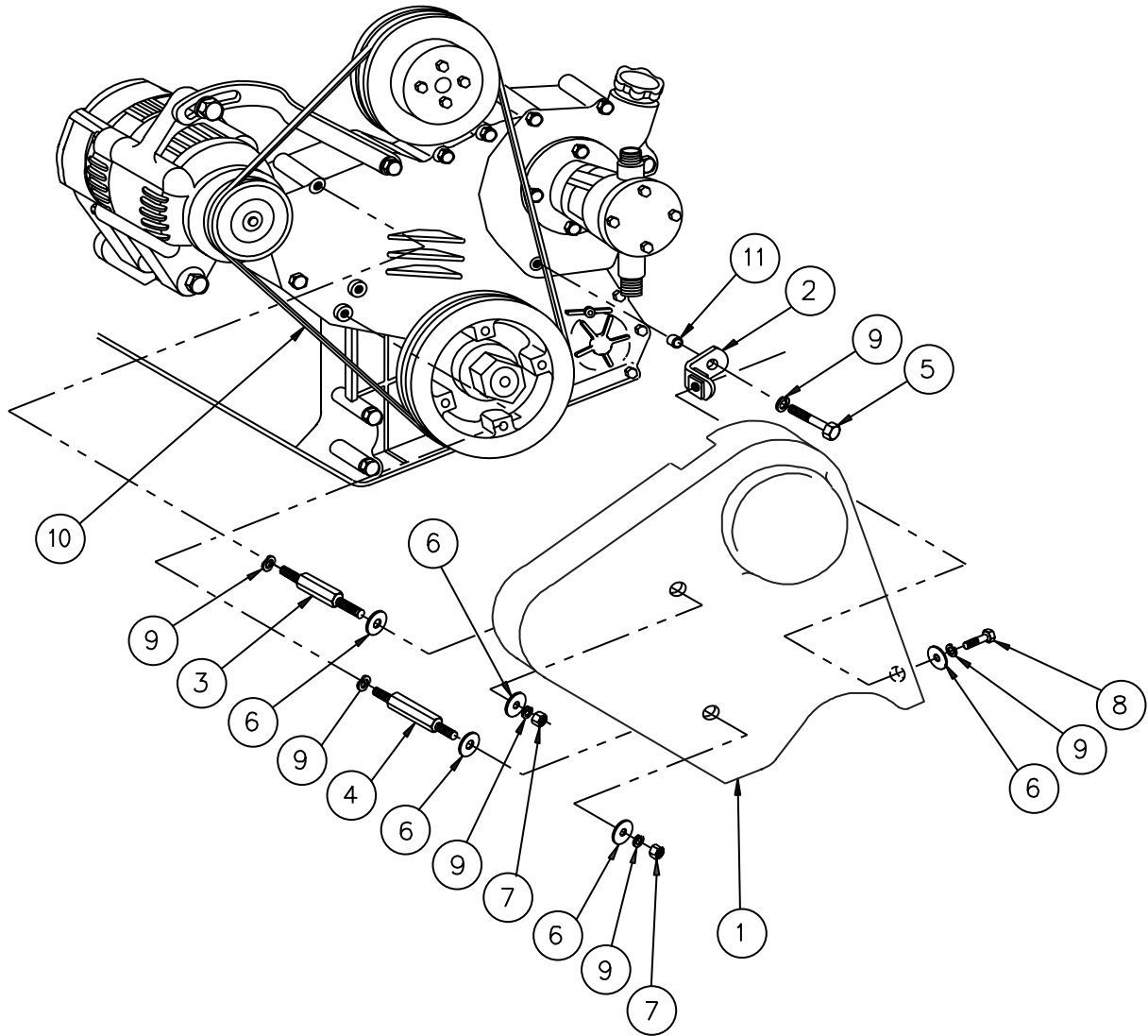


A-11401, A-11405/ B-9073

KEY	PART NUMBER	QTY	DESCRIPTION	SERIAL NUMBER
1	00-01209	1	Belt Guard, Small Frame 12V/ 50 Amp Alternator	-
	00-01206	1	Belt Guard, Medium Frame Alternators	-
2	23-01201	1	Bracket	-
3	13-01201	1	Stud, Belt Guard Mtg. Upper Right	-
4	13-01202	1	Stud, Belt Guard Mtg. Lower Right	-
5	12-00719	1	Capscrew, Hex Head M8 x 1.25 x 75 mm	-
6	15-70004	5	Snubbing Washer S/S	-
7	14-09711	2	Hex Nut M8 x 1.25 S/S	-
8	12-00776	1	Capscrew, Hex Head M8 x 1.25 x 20 mm S/S	-
9	15-00705	6	Lock Washer, Helical M8 S/S	-
10	40-05404	2	Drive Belt	-
11	21-41103	1	Spacer (without front oil fill only)	-

Belt Guard M944T3 & M40C3

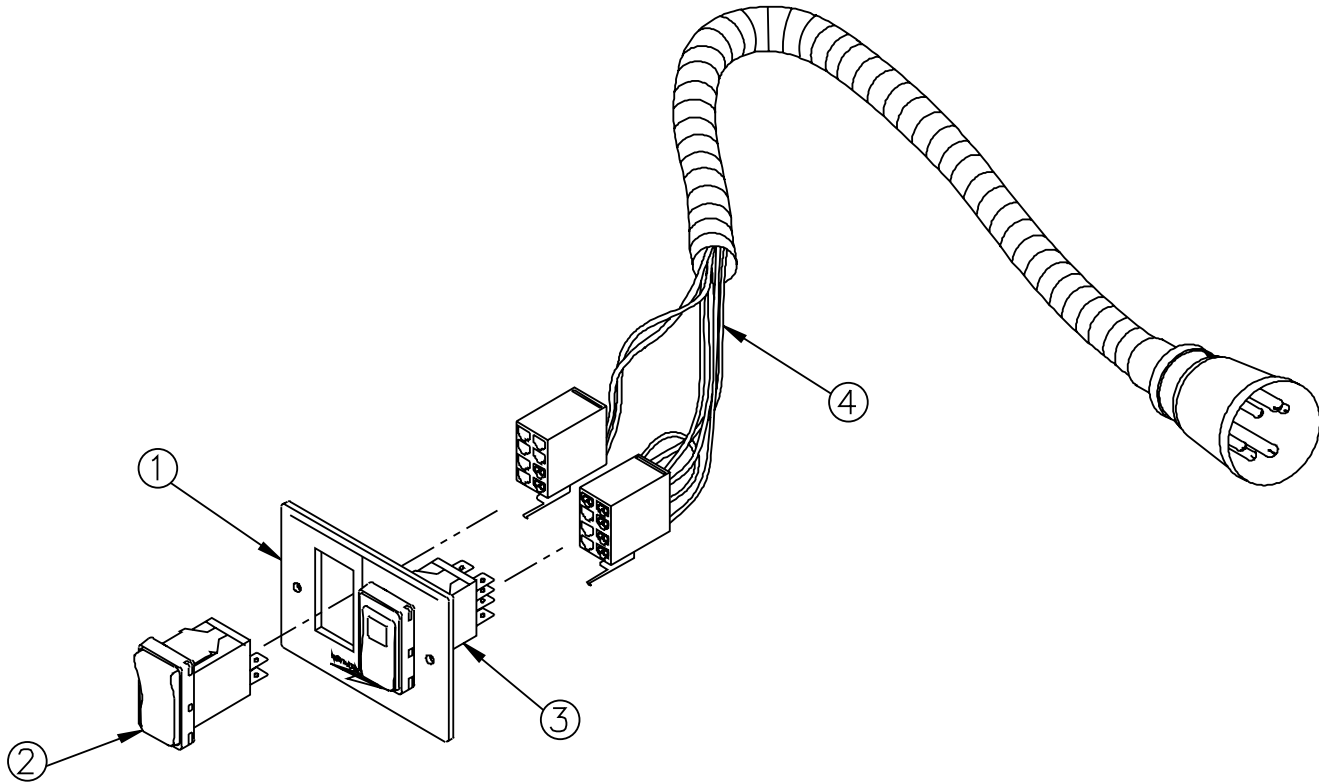
Keel Cooled and PTO



A-12193, A-12197/ B-9073z

KEY	PART NUMBER	QTY	DESCRIPTION	SERIAL NUMBER
1	00-01216	1	Belt Guard, Small Frame 12V/ 75 Amp Alternator	-
	00-01221	1	Belt Guard, Medium Frame Alternators	-
2	23-01201	1	Bracket	-
3	13-01203	1	Stud, Belt Guard Mtg. Upper Right	-
4	13-01204	1	Stud, Belt Guard Mtg. Lower Right	-
5	12-00719	1	Capscrew, Hex Head M8 x 1.25 x 75 mm	-
6	15-70004	5	Snubbing Washer S/S	-
7	14-09711	2	Hex Nut M8 x 1.25 S/S	-
8	12-00776	1	Capscrew, Hex Head M8 x 1.25 x 20 mm S/S	-
9	15-00705	6	Lock Washer, Helical M8 S/S	-
10	40-05404	2	Drive Belt	-
11	21-41103	1	Spacer (without front oil fill only)	-

S-1 Control Panel 12 & 24 Volt

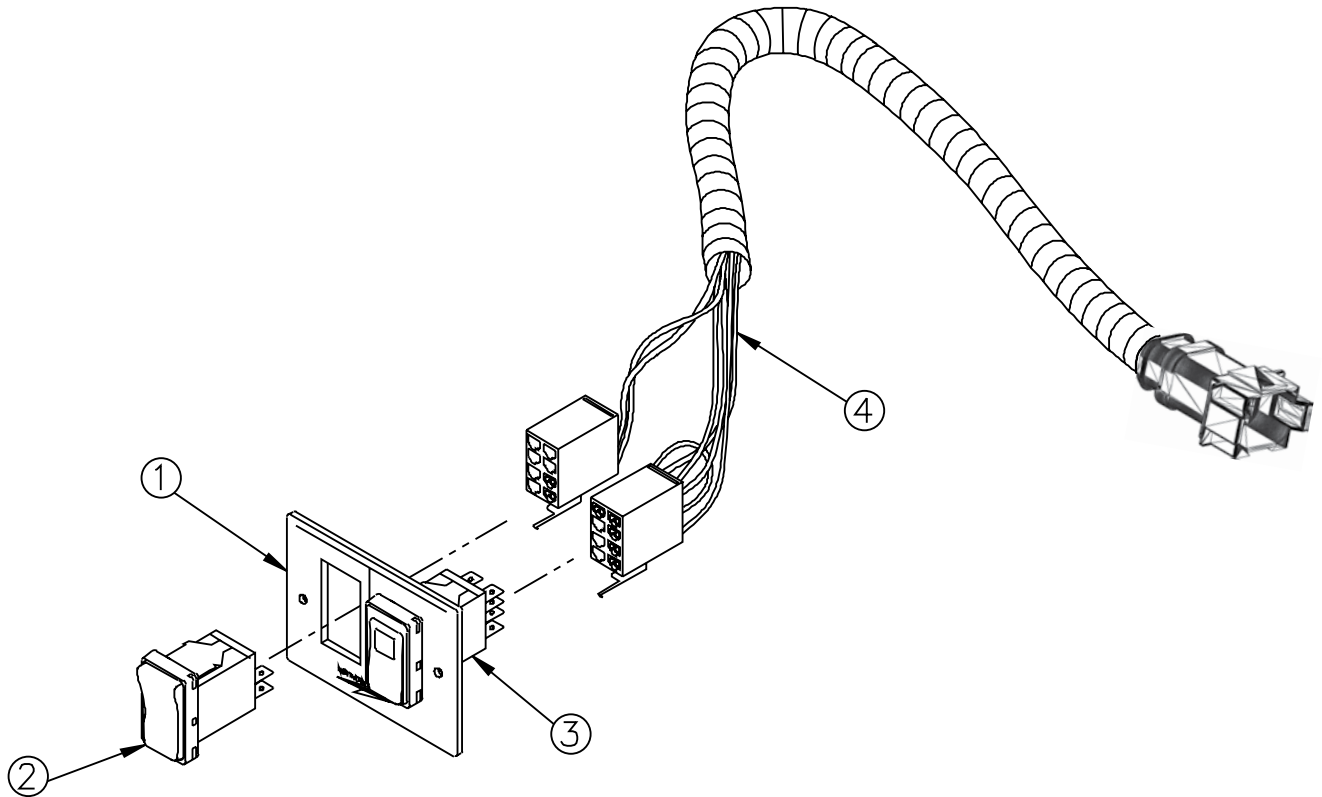


A-8551, A-8552 / B-5970

KEY	PART NUMBER	QTY	DESCRIPTION	SERIAL NUMBER
••	22-92110	1	S-1 Start/Stop Control Panel, 12 Volt (includes all keys)	-
••	22-92115	1	S-1 Start/Stop Control Panel, 24 Volt (includes all keys)	-
1	00-40013	1	Plate, S-1 Control Panel	-
2	22-90167	1	Rocker Switch	-
3	22-90168	1	Rocker Switch	-
4	22-42066	1	Wire Harness, 12 Volt	-
	22-42067	1	Wire Harness, 24 Volt	-
5	00-00013	1	Label "12 Volt" *	-
	00-00014	1	Label "24 Volt" *	-
6	22-40012	1	Resistor, 200 Ohm, 3 Watt (24 Volt Panel only) *	-
			*Not shown	

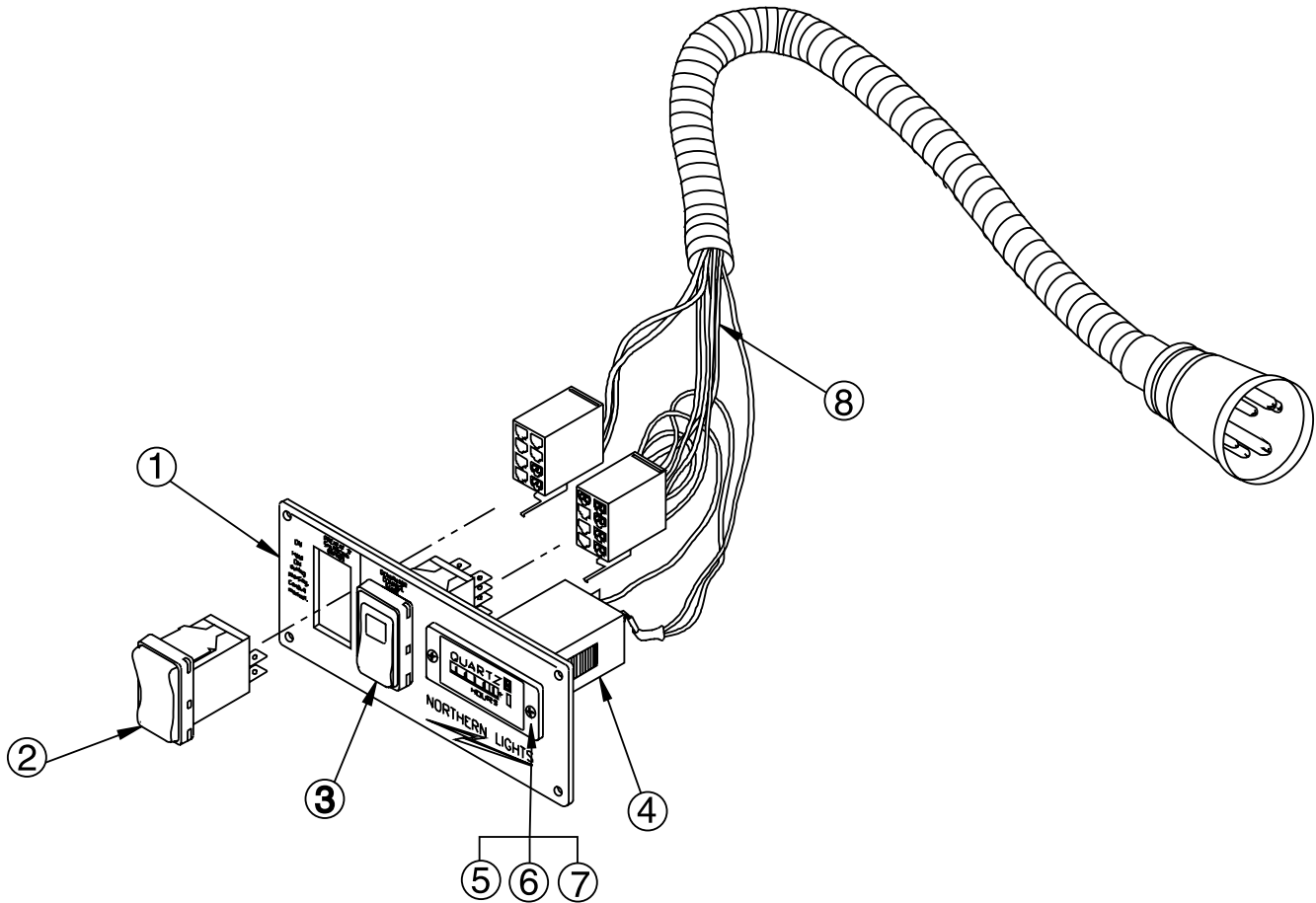
S-1 Control Panel 12 & 24 Volt

B+ Electrical Systems



KEY	PART NUMBER	QTY	DESCRIPTION	SERIAL NUMBER
••	22-95600	1	S-1 Start/Stop Control Panel (includes all keys)	-
1	00-40013	1	Plate, S-1 Control Panel	-
2	22-90167	1	Rocker Switch, Momentary (On)-Off	-
3	22-90362	1	Rocker Switch, Momentary (On)-Off-(On) Green Lamp	-
4	22-45602	1	Wire Harness	-
5	00-00048	1	Label "12-24 Volt" (Not Shown)	-

Series 1-B Start-Stop Control Panel

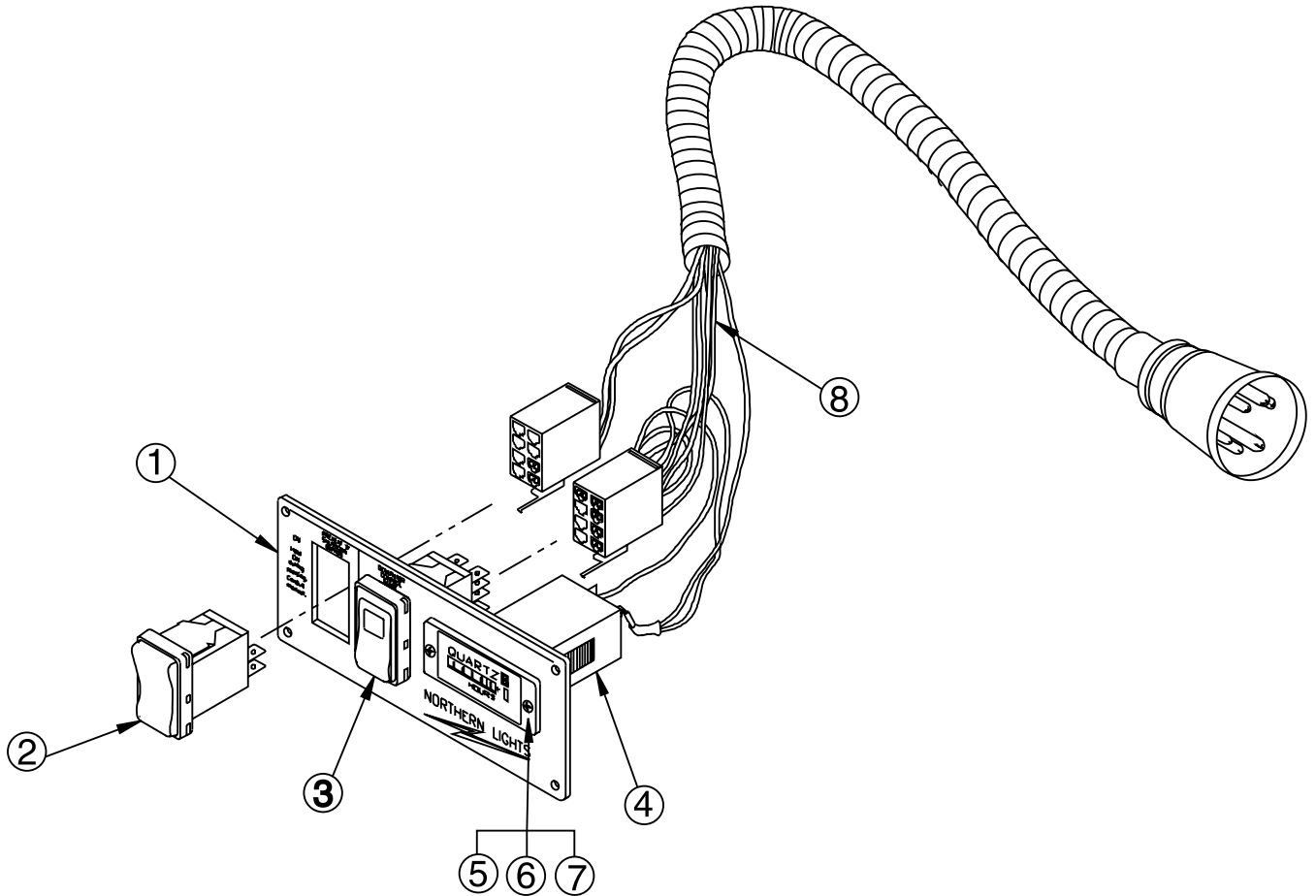


A-8553/ B-5971

KEY	PART NUMBER	QTY	DESCRIPTION	SERIAL NUMBER
••	22-92120	1	S 1-B Start/Stop Control Panel - 12 Volt (includes all keys)	-
••	22-92125	1	S 1-B Start/Stop Control Panel - 24 Volt (includes all keys)	-
1	28-90003	1	Plate	-
2	22-90167	1	Rocker Switch	-
3	22-90168	1	Rocker Switch	-
4	22-90009	1	Hour Meter	-
5	12-00093	2	Machine Screw, Round Head Philips #6 - 32 x 1/2"	-
6	15-00030	2	Star Washer, Internal #6, Stainless Steel	-
7	14-00015	2	Hex Nut #6 - 32, Stainless Steel	-
8	22-42063	1	Wire Harness - 12 Volt Panels	-
	22-42064	1	Wire Harness - 24 Volt Panels	-

Series 1-B Start/Stop Control Panel

B+ Electrical Systems

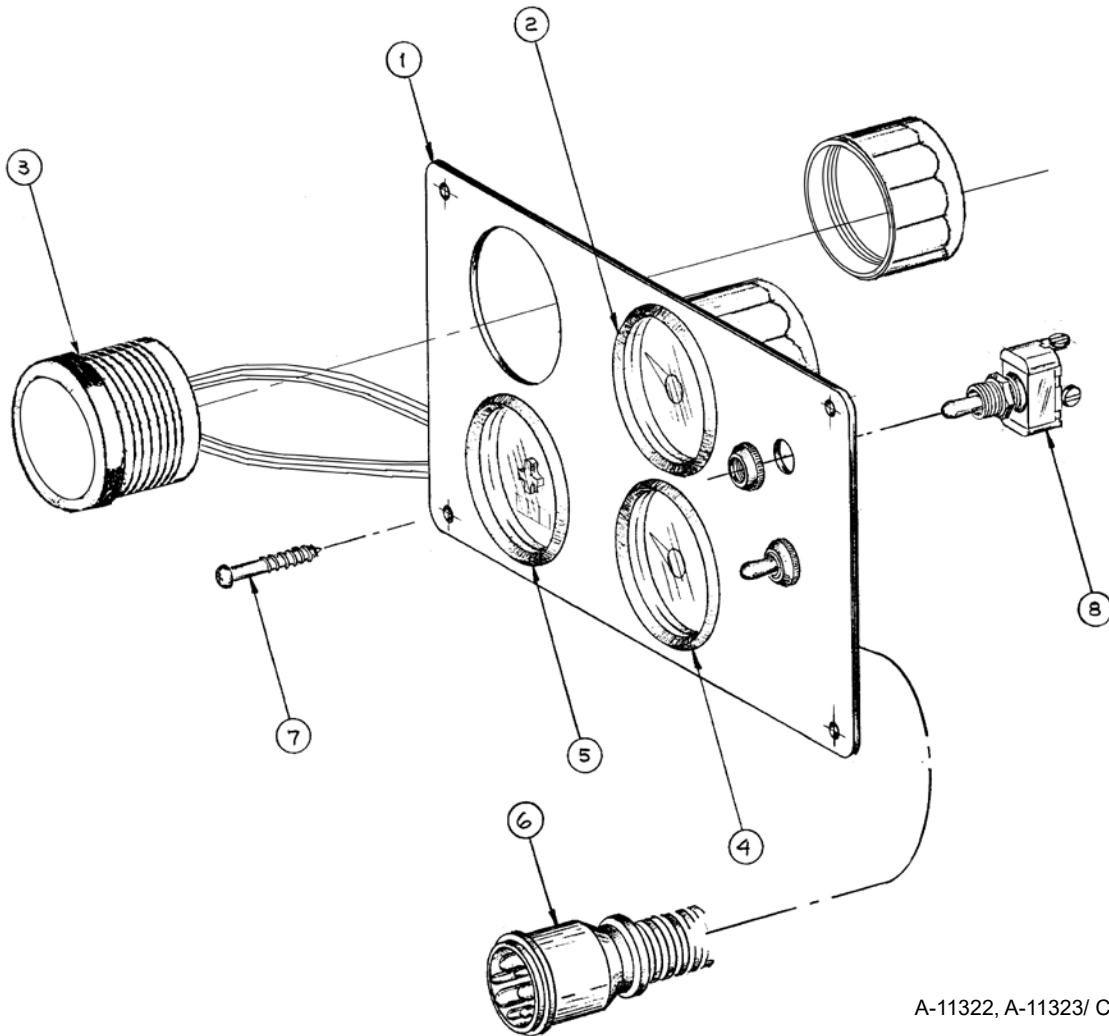


KEY	PART NUMBER	QTY	DESCRIPTION	SERIAL NUMBER
••	22-95605	1	Complete Series 1-B Start/Stop Control Panel (includes all keys)	-
1	28-90003	1	Plate	-
2	22-90167	1	Rocker Switch, Momentary (On)-Off	-
3	22-90362	1	Rocker Switch, Green LED (On)-Off-(On) Green Lamp	-
4	22-90009	1	Hour Meter	-
5	12-00093	2	Machine Screw, Round Head Phillips #6 - 32 x 1/2"	-
6	15-00030	2	Star Washer, Internal #6, Stainless Steel	-
7	14-00015	2	Hex Nut #6 - 32, Stainless Steel	-
8	22-45603	1	Wire harness	-
9	00-00048	1	Label "12-24 Volts" (Not shown)	-

GROUP 5 – ELECTRICAL SYSTEM

S-3C Control Panel 12 & 24 Volt

VDO Ocean Line Black Bezel Gauges

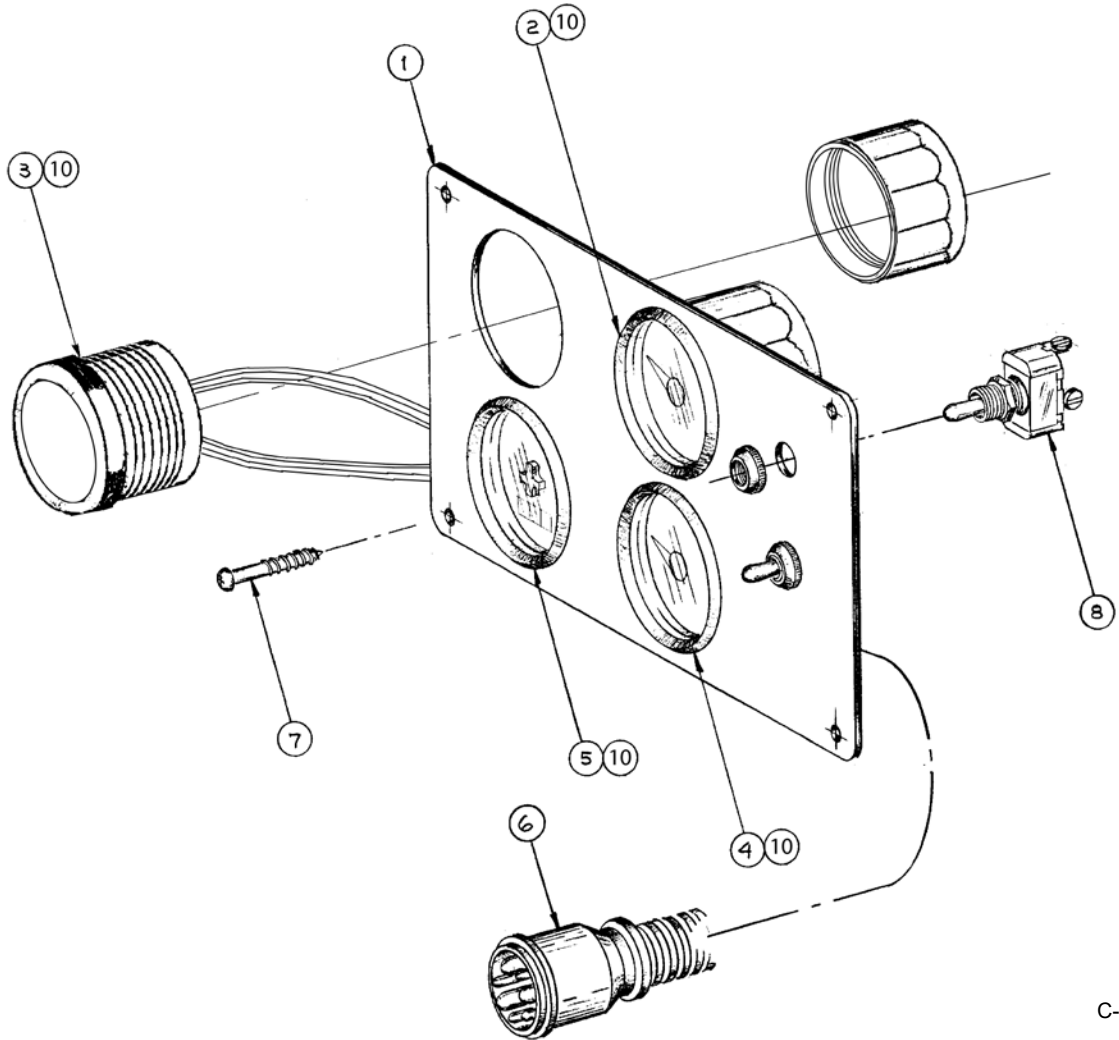


A-11322, A-11323/ C-2441

KEY	PART NUMBER	QTY	DESCRIPTION	SERIAL NUMBER
••	22-91211	1	S-3C Control Panel, 12 Volt (includes all keys)	-
••	22-91212	1	S-3C Control Panel, 24 Volt (includes all keys)	-
1	28-90010	1	Panel Plate	-
2	37-90081-1	1	Oil Pressure Gauge, 0-80 PSI 12 Volt	-
	37-90082-1	1	Oil Pressure Gauge, 0-80 PSI 24 Volt	-
3	37-90075-1	1	Temperature Gauge, 0- 250°F 12 Volt	-
	37-90076-1	1	Temperature Gauge, 0- 250°F 24 Volt	-
4	37-90072-1	1	DC Voltmeter, 8 - 16 VDC	-
	37-90073-1	1	DC Voltmeter, 18- 32 VDC	-
5	37-90074-1	1	Hourmeter 12/ 24 Volt	-
6	22-42024	1	Panel Wire Harness	-
7	12-90007	4	Self Tapping Screw, Oval Head Phillips #6 x 3/4"	-
8	22-41051	2	Toggle Switch	-
9	00-00013	1	Label 12 Volt (not shown)	-
	00-00014	1	Label 24 Volt (not shown)	-
10	37-41004	**	12 Volt Bulb (not shown)	-
	37-41003	**	24 Volt Bulb (not shown)	-
			**As required	

S-3C Control Panel 12 Volt

VDO Viewline Black Bezel Gauges



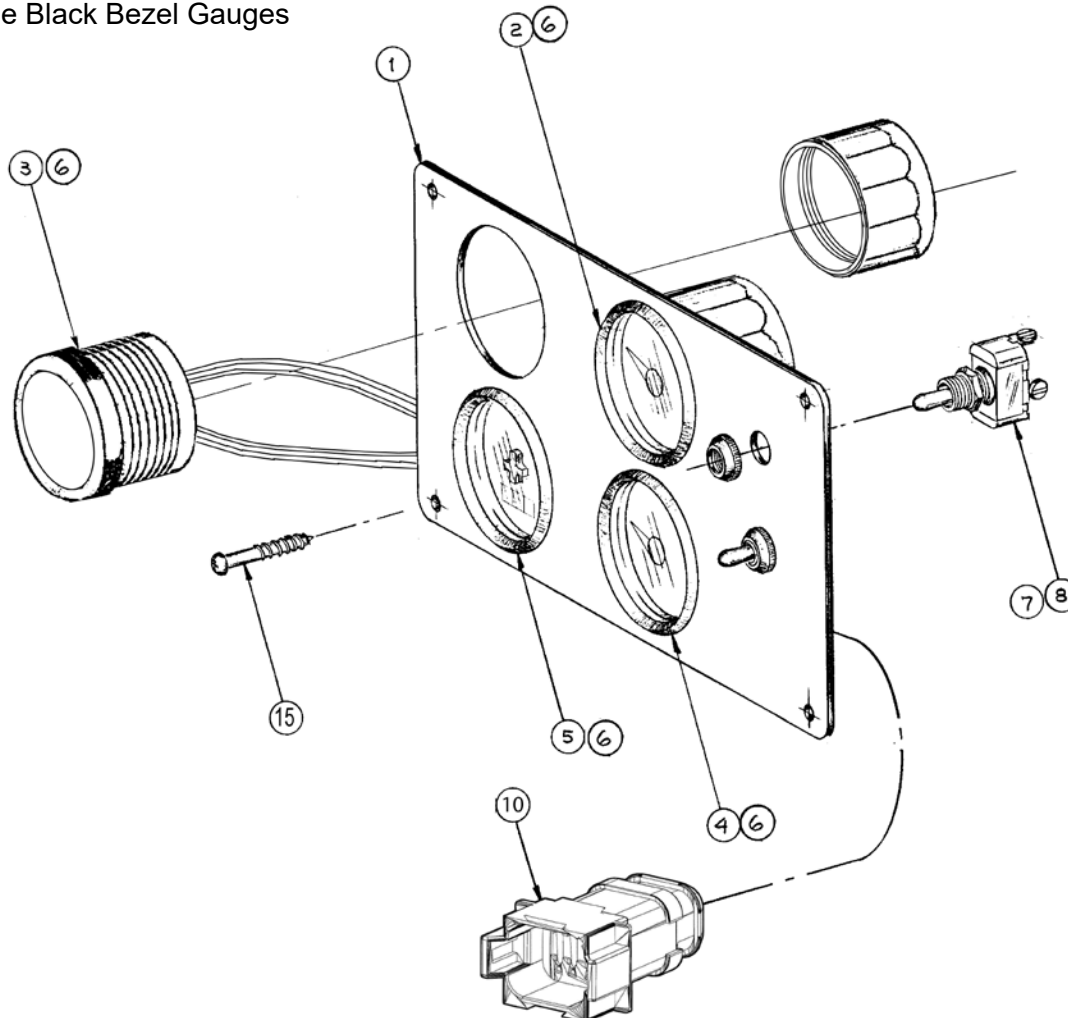
C-2441

KEY	PART NUMBER	QTY	DESCRIPTION	SERIAL NUMBER
••	22-91216	1	S-3C Control Panel, 12 Volt (includes all keys)	-
••	22-91217	1	S-3C Control Panel, 24 Volt (includes all keys)	-
1	28-90010	1	Panel Plate	-
2	37-91075-1	1	Oil Pressure Gauge, 0-80 PSI 12/24 Volt *	-
3	37-91074-1	1	Temperature Gauge, 0- 250°F 12/24 Volt *	-
4	37-91070-1	1	DC Voltmeter, 8 - 16 VDC *	-
	37-91071-1	1	Voltmeter 18 - 32 VDC *	-
5	37-91072-1	1	Hourmeter 12/ 24 Volt	-
6	22-42096	1	Panel Wire Harness	-
7	12-90007	4	Self Tapping Screw, Oval Head Phillips #6 x 3/4"	-
8	22-41051	2	Toggle Switch	-
9	00-00013	1	Label 12 Volt (not shown)	-
	00-00014	1	Label 24 Volt (not shown)	-
10	37-00014	4	Bezel	-
			* Note Bezel 37-00014 supplied separately	

GROUP 5 – ELECTRICAL SYSTEM

S-3C Control Panel 12 - 24 Volt B+ Systems

VDO Viewline Black Bezel Gauges

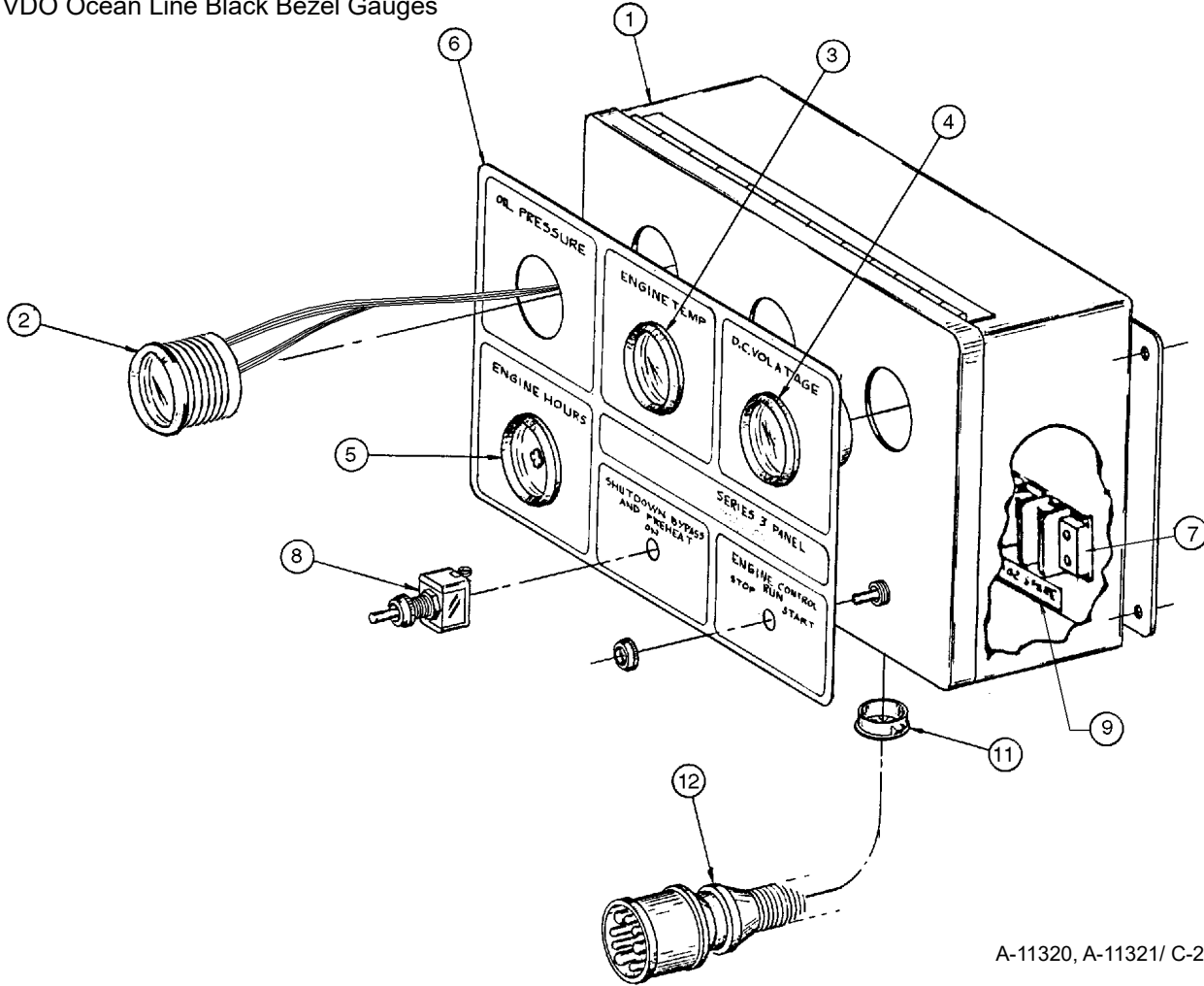


KEY	PART NUMBER	QTY	DESCRIPTION	SERIAL NUMBER
••	22-95611	1	S-3C Control Panel, 12 Volt (includes all keys)	-
••	22-95612	1	S-3C Control Panel, 24 Volt (includes all keys)	-
1	28-90010	1	Panel Plate	-
2	37-91075-1	1	Oil Pressure Gauge, 0-80 PSI 12/24 Volt *	-
3	37-91074-1	1	Temperature Gauge, 0- 250°F 12/24 Volt *	-
4	37-91070-1	1	DC Voltmeter, 8 - 16 VDC *	-
	37-91071-1	1	Voltmeter 18 - 32 VDC *	-
5	37-91072-1	1	Hourmeter 12/ 24 Volt *	-
6	37-00014	4	Bezel	-
8	22-41051	1	Toggle Switch	-
	22-40335	1	Toggle Switch	-
9	23-95601	1	Bracket, Relay Base Mounting	-
10	22-45606	1	Panel Wire Harness	-
11	12-42400	1	Machine Screw #8-32 x 1/4"	-
12	15-00035	1	Star Washer #8	-
13	22-42047	**	Relay 12 Volt	-
	22-40085	**	Relay 24 Volt	-
14	00-00013	**	Label 12 Volt (not shown)	-
	00-00014	**	Label 24 Volt (not shown)	-
15	12-90007	4	Self Tapping Screw, Oval Head Phillips #6 x 3/4"	-
			** As Required	

GROUP 5 – ELECTRICAL SYSTEM

S-3B Control Panel 12 & 24 Volt

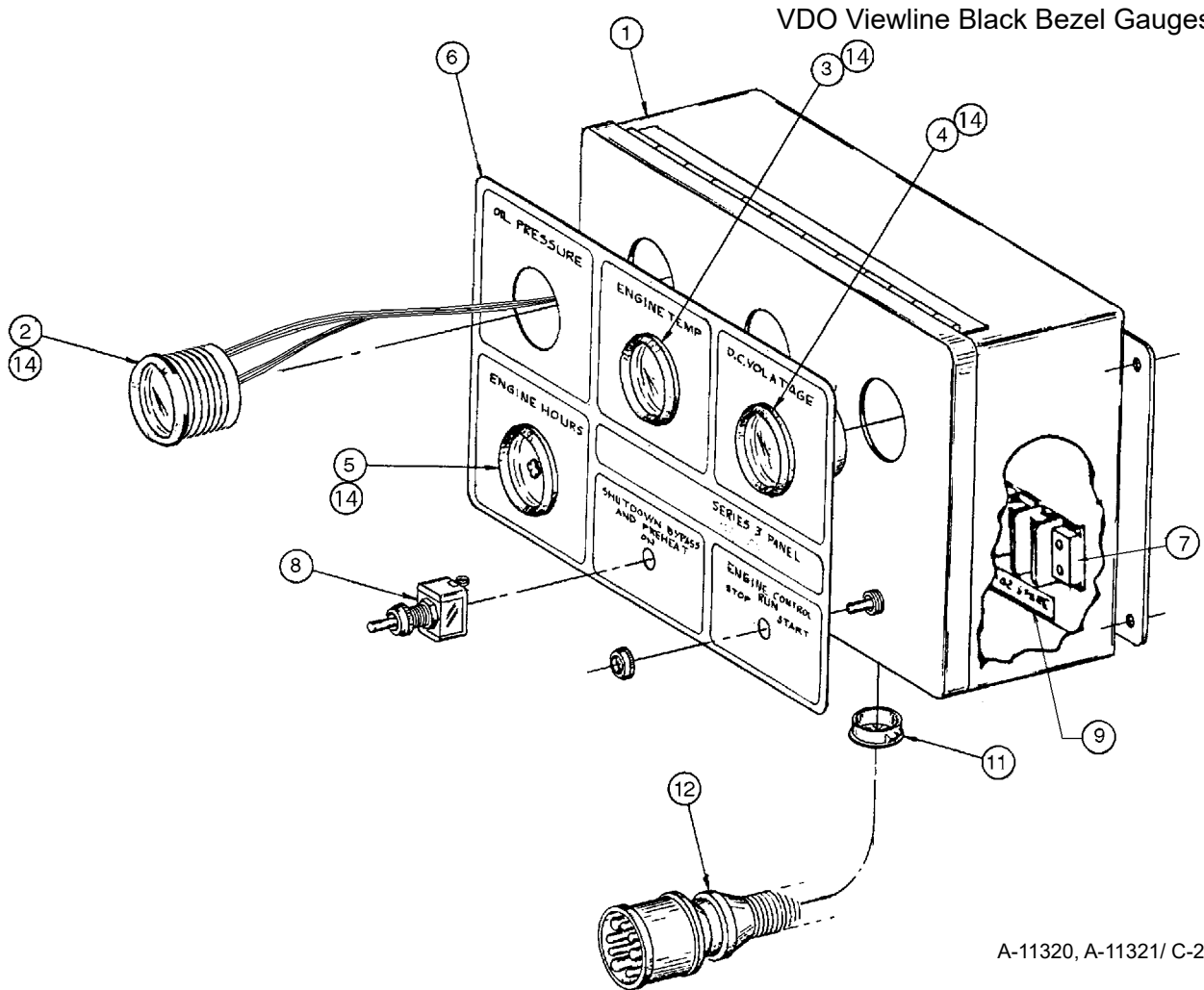
VDO Ocean Line Black Bezel Gauges



A-11320, A-11321/ C-2470

KEY	PART NUMBER	QTY	DESCRIPTION	SERIAL NUMBER
**	22-91201	1	S-3C Control Panel, 12 Volt (includes all keys)	-
**	22-91202	1	S-3C Control Panel, 24 Volt (includes all keys)	-
1	39-40008	1	Enclosure	-
2	37-90081-1	1	Oil Pressure Gauge, 0-80 PSI 12 Volt	-
	37-90082-1	1	Oil Pressure Gauge, 0-80 PSI 24 Volt	-
3	37-90075-1	1	Temperature Gauge, 0- 250°F 12 Volt	-
	37-90076-1	1	Temperature Gauge, 0- 250°F 24 Volt	-
4	37-90072-1	1	DC Voltmeter, 8 - 16 VDC	-
	37-90073-1	1	DC Voltmeter, 18- 32 VDC	-
5	37-90074-1	1	Hourmeter 12/ 24 Volt	-
6	00-91018	1	Panel Decal	-
7	22-41077	1	Terminal Strip	-
8	22-41051	2	Toggle Switch	-
9	22-00052	1	Number Strip	-
10	22-40257	1	Wire Harness (not shown)	-
11	00-40028	1	Grommet	-
12	22-42027	1	Connection Harness	-
13	00-00013	1	Label 12 Volt (not shown)	-
	00-00014	1	Label 24 Volt (not shown)	-
14	37-41004	**	12 Volt Bulb (not shown)	-
	37-41003	**	24 Volt Bulb (not shown)	-
			**As required	

S-3B Control Panel 12 Volt



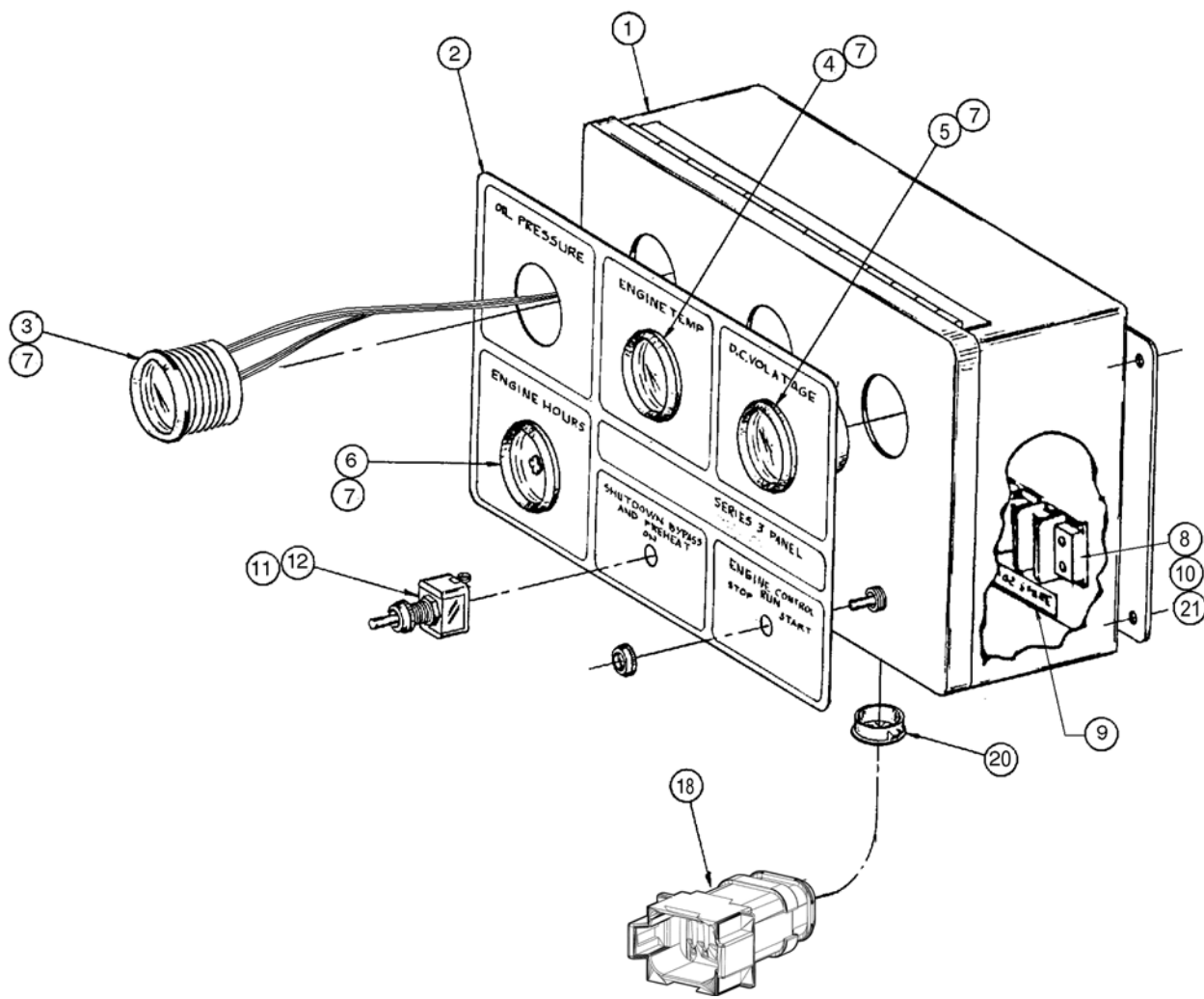
A-11320, A-11321/ C-2470

KEY	PART NUMBER	QTY	DESCRIPTION	SERIAL NUMBER
••	22-91203	1	S-3C Control Panel, 12 Volt (includes all keys)	-
••	22-91204	1	S-3C Control Panel, 24 Volt (includes all keys)	-
1	39-40027	1	Enclosure	-
2	37-91075-1	1	Oil Pressure Gauge, 0-80 PSI 12/24 Volt *	-
3	37-91074-1	1	Temperature Gauge, 0- 250°F 12/24 Volt *	-
4	37-91070-1	1	Voltmeter, 8 - 16 VDC *	-
	37-91071-1	1	Voltmeter 18 - 32 VDC *	-
5	37-91072-1	1	Hourmeter 12/ 24 Volt	-
6	00-91018	1	Panel Decal	-
7	22-41077	1	Terminal Strip	-
8	22-41051	2	Toggle Switch	-
9	22-00052	1	Number Strip	-
10	22-40648	1	Wire Harness (not shown)	-
11	00-40028	1	Grommet	-
12	22-42027	1	Connection Harness	-
13	00-00013	1	Label 12 Volt (not shown)	-
	00-00014	1	Label 24 Volt (not shown)	-
14	37-00014	4	Bezel	-
			* Note Bezel 37-00014 supplied separately	

GROUP 5 - ELECTRICAL SYSTEM

S-3B Control Panel 12 - 24 Volt B+ Systems

VDO Viewline Black Bezel Gauges



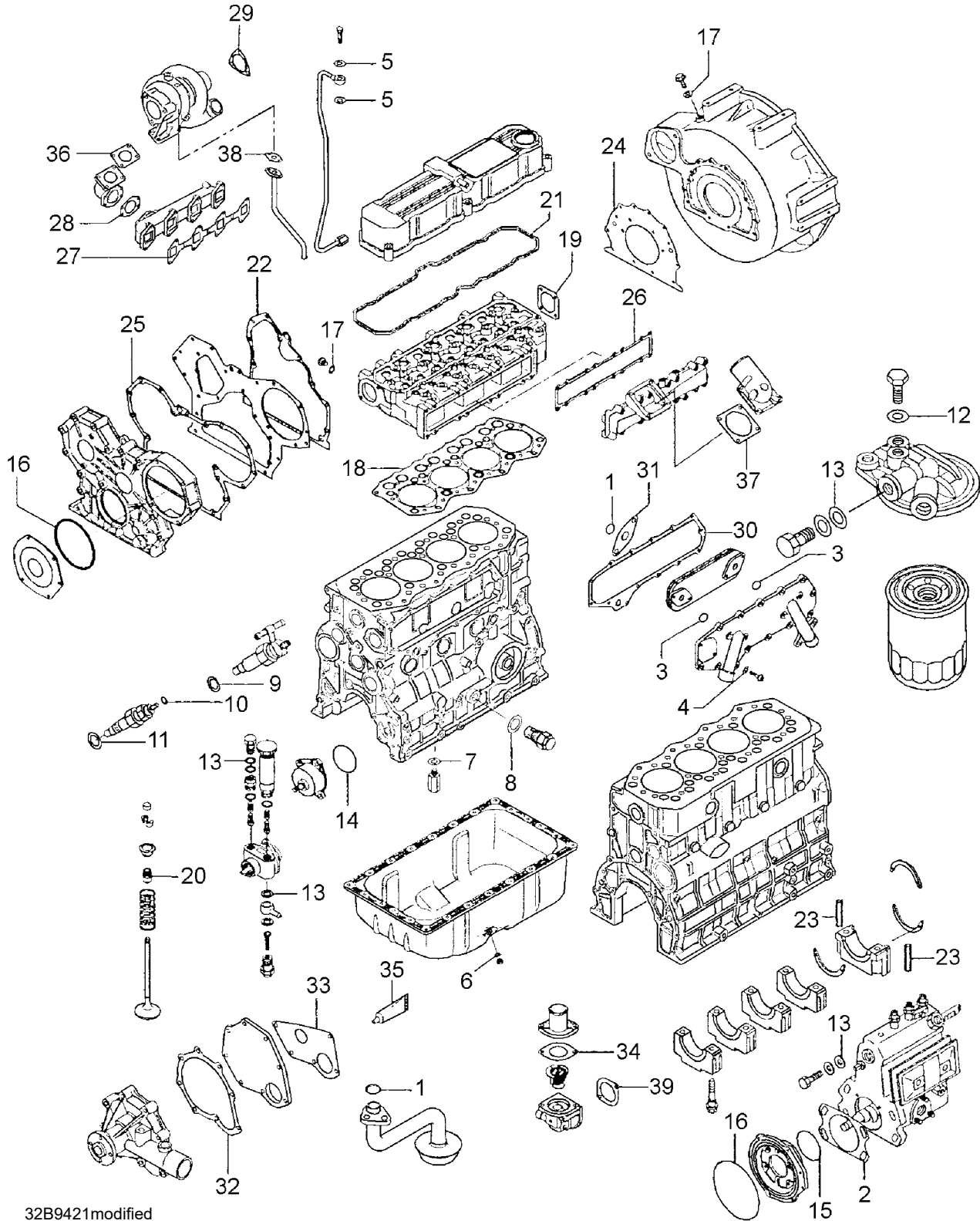
S-3B Control Panel 12 - 24 Volt B+ Systems

VDO Viewline Black Bezel Gauges

KEY	PART NUMBER	QTY	DESCRIPTION	SERIAL NUMBER
••	22-95601	1	S-3C Control Panel, 12 Volt (includes all keys)	-
••	22-95602	1	S-3C Control Panel, 24 Volt (includes all keys)	-
1	39-40027	1	Enclosure	-
2	00-91018	1	Decal	-
3	37-91075-1	1	Oil Pressure Gauge, 0-80 PSI 12/24 Volt *	-
4	37-91074-1	1	Temperature Gauge, 0- 250°F 12/24 Volt *	-
5	37-91070-1	1	Voltmeter, 8 - 16 VDC *	-
	37-91071-1	1	Voltmeter 18 - 32 VDC *	-
6	37-91072-1	1	Hourmeter 12/ 24 Volt	-
7	37-00014	4	Bezel	-
8	22-41077	1	Terminal Strip	-
9	22-00052	1	Number Strip	-
10	14-09021	2	Jam Nut, Nylock #8-32 S/S	-
11	22-41051	1	Toggle Switch	-
12	22-40335	1	Toggle Switch	-
13	23-95602	1	Bracket, Relay Mounting	-
14	22-45604	1	Wire Harness (not shown) (Includes keys 22-23)	-
15	12-42400	1	Machine Screw, Phillips #8-32 x 1/4" S/S	-
16	15-00035	1	Star Washer #8 S/S	-
17	22-42047	**	Relay 12 Volt	-
	22-40085	**	Relay 24 Volt	-
18	22-45607	1	Connection Harness	-
19	00-00013	**	Label 12 Volt (not shown)	-
	00-00014	**	Label 24 Volt	-
20	00-40028	1	Grommet	-
21	12-42103	2	Machine Screw, Pan Head, Phillips #8-32 x 5/8" S/S	-
22	22-40931	1	Relay Base	-
23	22-40393	1	Retainer	-
			* Note Bezel 37-00014 supplied separately	

GROUP 6 – GASKET SETS

Gaskets L-M944 & M30CW



32B9421modified

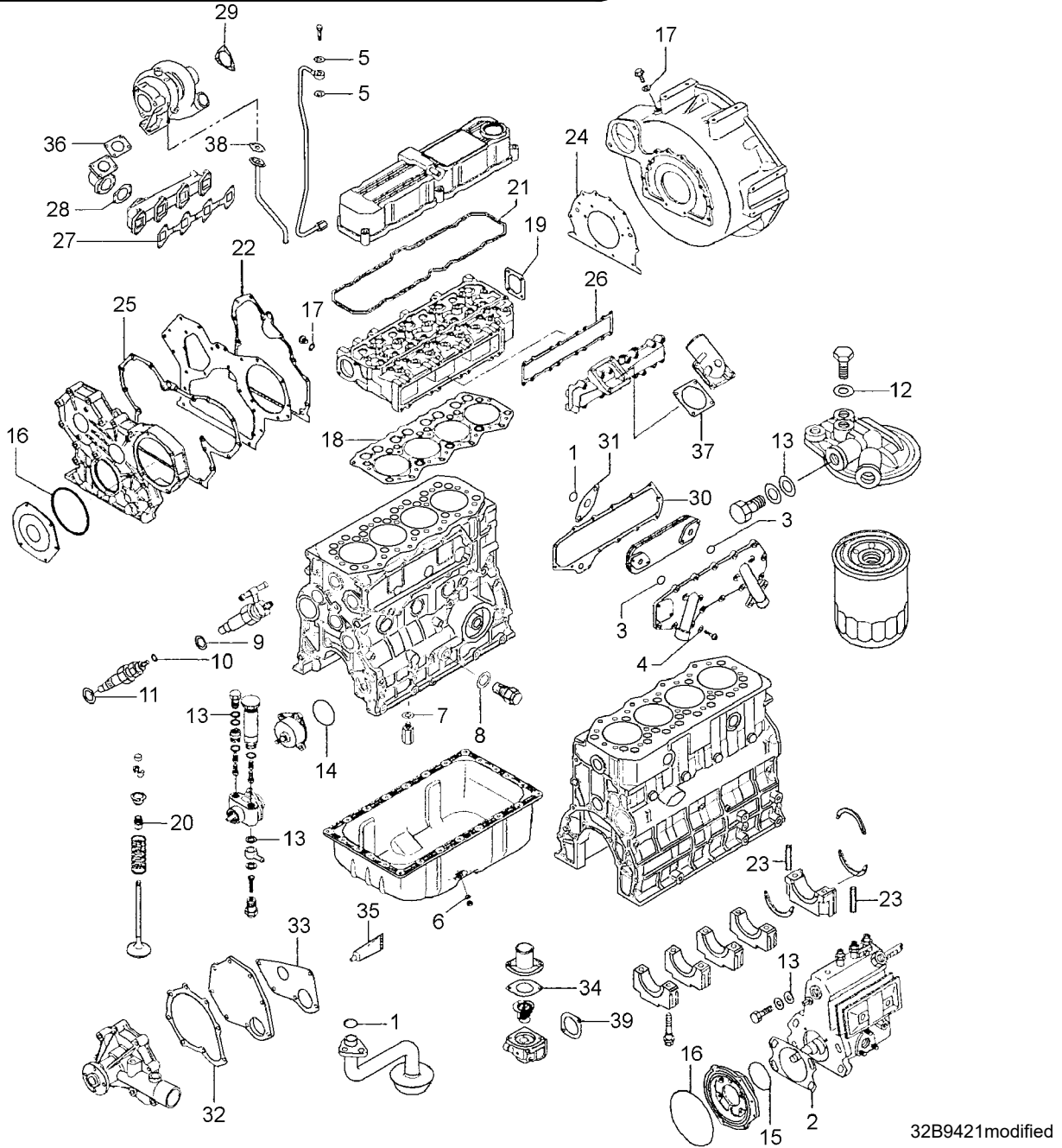
KEY	PART NUMBER	QTY	DESCRIPTION	SERIAL NUMBER
••	29-01200	1	Gasket Set, Engine Overhaul (includes all keys)	-
1	F315002000	3	O-ring	-
2	3066151300	1	Gasket	-
3	F315602500	2	O-ring	-

Gaskets L-M944 & M30CW				
KEY	PART NUMBER	QTY	DESCRIPTION	SERIAL NUMBER
4	F420208000	4	Gasket	-
5	F420210000	2	Gasket	-
6	F420214000	1	Gasket	-
7	F420218000	2	Gasket	-
8	3434000700	1	Gasket	-
9	MM432045	4	Gasket, Nozzle Holder	-
10	MD068355	4	Gasket, Fuel Return	-
11	MD070717	4	Gasket	-
12	0594600801	1	Sealing Washer	-
13	0594601401	10	Sealing Washer	-
14	32A3500600	1	O-ring	-
15	0601613075	1	O-ring	-
16	0601613140	2	O-ring	-
17	3063625901	2	Gasket	-
18	32A0102204	1	Gasket, Cylinder Head	-
19	32A0102501	1	Gasket, Rear Head	-
20	32A0402801	8	Seal, Valve Stem	-
21	32A0413200	1	Gasket, Rocker Cover	-
22	32A0704100	1	Gasket, Front Plate	-
23	32A0711700	2	Side Seal	-
24	32A0714201	1	Gasket, Rear	-
25	32A1100200	1	Gasket, Gear Case	-
26	32A3000201	1	Gasket, Intake Manifold	-
27	32A3200200	1	Gasket, Exhaust Manifold	-
28	32A3201400	1	Gasket, Exhaust	-
29	32A3203300	1	Gasket	-
30	32A3911200	1	Gasket, Side Cover	-
31	32A3901401	1	Gasket	-
32	32A4500400	1	Gasket, Pump Cover	-
33	32A4500500	1	Gasket, Water Pump	-
34	32A4601400	1	Gasket, Thermostat	-
35	32A9105100	1	Liquid Gasket	-
36	3423200300	1	Gasket, Exhaust	-
37	3433004300	1	Gasket, Air Inlet	-
38	3433604100	1	Gasket, Oil Line	-
39	3444605300	1	Gasket	-
40	0550710110	1	O-ring*	-
41	0594601001	2	Sealing Washer*	-
42	32A3911400	1	Gasket*	-
43	0594600601	8	Sealing Washer*	-
44	0594601201	2	Sealing Washer*	-
45	32A9013600	1	Gasket*	-
46	MM433993	1	O-ring*	-
47	32A6156900	4	Gasket*	-
48	32A0704500	1	Gasket*	-
49	11-35401	1	Gasket, Exhaust Elbow Mtg.	-
50	11-10015	1	Thermostat Seal Ring	-
51	11-11201	1	Gasket, Thermostat Housing	-
52	11-12203	2	Gasket, Keel Cooling Outlet	-
53	16-11201	1	O-ring	-
54	25-19517	1	O-ring	-
55	052300400	1	O-ring	-
56	3440711090	1	Seal, Rear Main	-
57	32A1104010	1	Front Seal	-

*Not shown

GROUP 6 – GASKET SETS

Gaskets M944T3 & M40C3



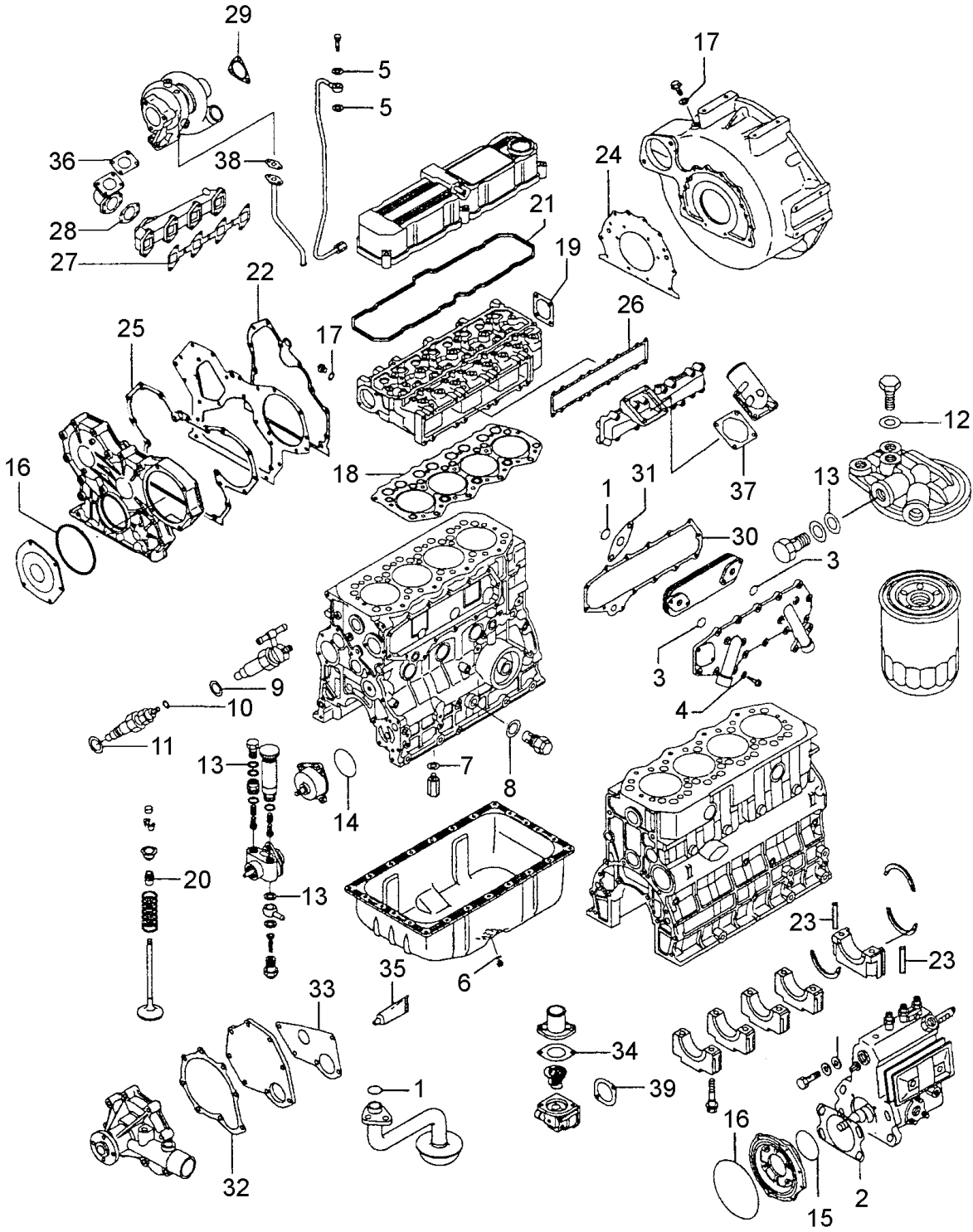
KEY	PART NUMBER	QTY	DESCRIPTION	SERIAL NUMBER
●●	29-01201	1	Gasket Set, Engine Overhaul (includes all keys)	-
1	F315002000	3	O-ring	-
2	3066151300	1	Gasket	-
3	F315602500	2	O-ring	-
4	F420208000	4	Gasket	-
5	F420210000	2	Gasket	-
6	F420214000	1	Gasket	-
7	F420218000	2	Gasket	-
8	3434000700	1	Gasket	-
9	MM432045	4	Gasket, Nozzle Holder	-
10	MD068355	4	Gasket, Fuel Return	-
11	MD070717	4	Gasket	-

Gaskets M944T3 & M40C3

KEY	PART NUMBER	QTY	DESCRIPTION	SERIAL NUMBER
12	0594600801	1	Sealing Washer	-
13	0594601401	10	Sealing Washer	-
14	32A3500600	1	O-ring	-
15	0601613075	1	O-ring	-
16	0601613140	2	O-ring	-
17	3063625901	2	Gasket	-
18	32K0102100	1	Gasket, Cylinder Head (former #32A0112300)	-
19	32A0102501	1	Gasket, Rear Head	-
20	32A0402801	8	Seal, Valve Stem	-
21	32A0413200	1	Gasket, Rocker Cover	-
22	32A0704100	1	Gasket, Front Plate	-
23	32A0711700	2	Side Seal	-
24	32A0714201	1	Gasket, Rear	-
25	32A1100200	1	Gasket, Gear Case	-
26	32A3000201	1	Gasket, Intake Manifold	-
27	32A3200200	1	Gasket, Exhaust Manifold	-
28	32A3201400	1	Gasket, Exhaust	-
29	32A3203300	1	Gasket	-
30	32A3911200	1	Gasket, Side Cover	-
31	32A3901401	1	Gasket	-
32	32A4500400	1	Gasket, Pump Cover	-
33	32A4500500	1	Gasket, Water Pump	-
34	32A4601400	1	Gasket, Thermostat	-
35	32A9105100	1	Liquid Gasket	-
36	3423200300	1	Gasket, Exhaust	-
37	3433004300	1	Gasket, Air Inlet	-
38	3433604100	1	Gasket, Oil Line	-
39	3444605300	1	Gasket	-
40	0550710110	1	O-ring*	-
41	0594601001	2	Sealing Washer*	-
42	32A3911400	1	Gasket*	-
43	0594600601	8	Sealing Washer*	-
44	0594601201	2	Sealing Washer*	*Not shown
45	32A9013600	1	Gasket*	-
46	MM433993	1	O-ring*	-
47	32A6156900	4	Gasket*	-
48	32A0704500	1	Gasket*	-
49	11-35401	1	Gasket, Exhaust Elbow Mtg.	-
50	11-10015	1	Thermostat Seal Ring	-
51	11-11201	1	Gasket, Thermostat Housing	-
52	11-12203	2	Gasket, Keel Cooling Outlet	-
53	16-11201	1	O-ring	-
54	25-19517	1	O-ring	-
55	052300400	1	O-ring	-
56	11-31201	1	Gasket, Wet Adapter Mtg.	-
57	11-31401	1	Gasket, K26 Turbo Mtg.	-
58	11-11204	1	Gasket, Turbo Coolant Supply Tube	-
59	11-31012	1	Gasket	-
60	11-31031	1	Gasket, Turbo Oil Return	-
62	16-01000	1	O-ring	-
63	16-21001	2	O-ring	-
64	3440711090	1	Seal, Rear Main	-
65	32A1104010	1	Front Seal	-
66	3433004200	1	Gasket with Screen	-

GROUP 6 – GASKET SETS

Gaskets NL944D3



944T3gaskets

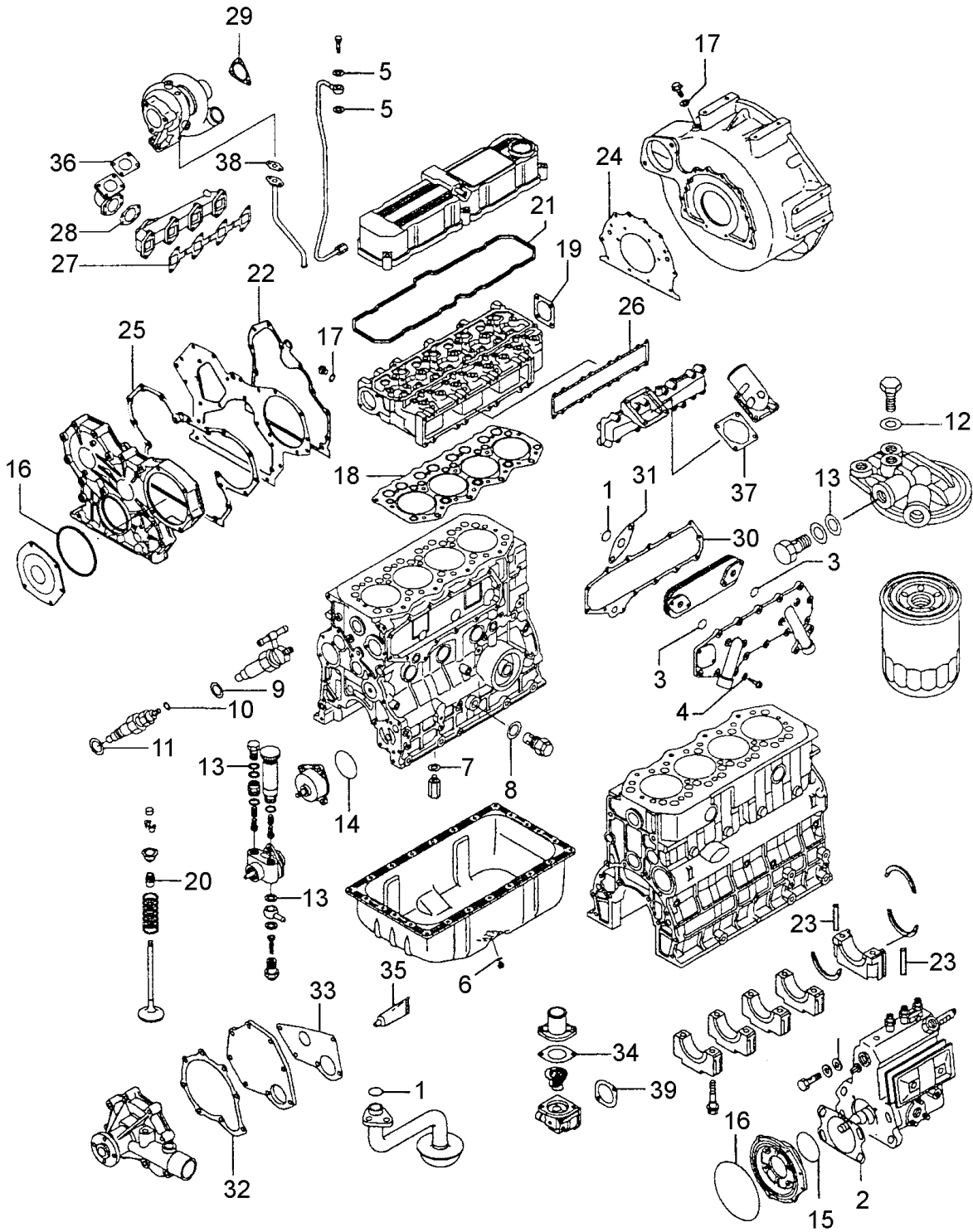
Gaskets NL944D3

KEY	PART NUMBER	QTY	DESCRIPTION	SERIAL NUMBER
••	29-01202	1	Gasket Set, Engine Overhaul (includes all keys)	-
1	F315002000	3	O-ring	-
2	3066151300	1	Gasket	-
3	F315602500	2	O-ring	-
4	F420208000	4	Gasket	-
5	F420210000	2	Gasket	-
6	F420214000	1	Gasket	-
7	F420218000	2	Gasket	-
8	3434000700	1	Gasket	-
9	M432045	4	Nozzle Holder Gasket	-
10	MDO68355	4	Fuel Return Gasket	-
11	MD070717	4	Gasket	-
12	0594600801	1	Sealing Washer	-
13	0594601401	10	Sealing Washer	-
14	32A3500600	1	O-ring	-
15	0601613075	1	O-ring	-
16	0601613140	2	O-ring	-
17	3063625901	2	Gasket	-
18	32A0102204	1	Cylinder Head Gasket	-
19	32A0102501	1	Head Rear Gasket	-
20	32A0402801	8	Valve Stem Seal	-
21	32A0413200	1	Rocker Cover Gasket	-
22	32A0704100	1	Front Plate Gasket	-
23	32A0711700	2	Side Seal	-
24	32A0714201	1	Rear Gasket	-
25	32A1100200	1	Gear Case Gasket	-
26	32A3000201	1	Intake Manifold Gasket	-
27	32A3200200	1	Exhaust Manifold Gasket	-
28	32A3201400	1	Exhaust Gasket	-
29	32A3203300	1	Gasket	-
30	32A3021200	1	Side Cover Gasket	-
31	32A3901401	1	Gasket	-
	32A3911400	1	Gasket	-
32	32A4510400	1	Pump Cover Gasket	-
33	32A4510500	1	Water Pump Gasket	-
34	32A4601400	1	Thermostat Gasket	-
35	32A9105100	1	Liquid Gasket	-
36	3423200300	1	Exhaust Gasket	-
37	3433004300	1	Air Heater Gasket	-
38	3433604100	1	Oil Pipe Gasket	-
39	3444605300	1	Gasket	-
	32A4601800	1	Gasket	-
40	0550710110	1	O-ring*	-
41	0594601001	2	Sealing Washer*	-
42	32A1110700	1	Gasket*	-
43	0594600601	8	Sealing Washer*	-
44	0594601201	2	Sealing Washer*	-
45	32A9013600	1	Gasket*	-
46	MM433993	1	O-ring*	-
47	32A6156900	4	Gasket*	-
48	32A0704500	1	Gasket*	-
49	3440711090	1	Rear Gasket Seal *	-
50	32A1104010	1	Front Seal*	-

*Not shown

GROUP 6 – GASKET SETS

Gaskets NL944T3



944T3gaskets

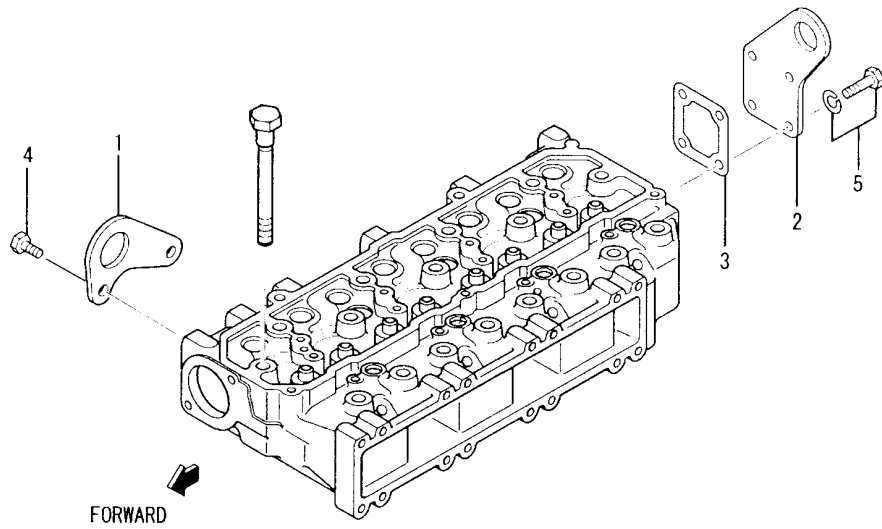
Gaskets NL944T3

KEY	PART NUMBER	QTY	DESCRIPTION	SERIAL NUMBER
••	29-01203	1	Gasket Set, Engine Overhaul (includes all keys)	-
1	F315002000	3	O-ring	-
2	3066151300	1	Gasket	-
3	F315602500	2	O-ring	-
4	F420208000	4	Gasket	-
5	F420210000	2	Gasket	-
6	F420214000	1	Gasket	-
7	F420218000	2	Gasket	-
8	3434000700	1	Gasket	-
9	M432045	4	Nozzle Holder Gasket	-
10	MDO68355	4	Fuel Return Gasket	-
11	MD070717	4	Gasket	-
12	0594600801	1	Sealing Washer	-
13	0594601401	10	Sealing Washer	-
14	32A3500600	1	O-ring	-
15	0601613075	1	O-ring	-
16	0601613140	2	O-ring	-
17	3063625901	2	Gasket	-
18	32K0102100	1	Cylinder Head Gasket (Former # 32A0112300)	-
19	32A0102501	1	Head Rear Gasket	-
20	32A0402801	8	Valve Stem Seal	-
21	32A0413200	1	Rocker Cover Gasket	-
22	32A0704100	1	Front Plate Gasket	-
23	32A0711700	2	Side Seal	-
24	32A0714201	1	Rear Gasket	-
25	32A1100200	1	Gear Case Gasket	-
26	32A3000201	1	Intake Manifold Gasket	-
27	32A3200200	1	Exhaust Manifold Gasket	-
28	32A3201400	1	Exhaust Gasket	-
29	32A3203300	1	Gasket	-
30	32A3021200	1	Side Cover Gasket	-
31	32A3901401	1	Gasket	-
	32A3911400	1	Gasket	-
32	32A4510400	1	Pump Cover Gasket	-
33	32A4510500	1	Water Pump Gasket	-
34	32A4601400	1	Thermostat Gasket	-
35	32A9105100	1	Liquid Gasket	-
36	3423200300	1	Exhaust Gasket	-
37	3433004300	1	Air Heater Gasket	-
38	3433604100	1	Oil Pipe Gasket	-
39	3444605300	1	Gasket	-
	32A4601800	1	Gasket	-
40	0550710110	1	O-ring*	-
41	0594601001	2	Sealing Washer*	-
42	32A1110700	1	Gasket*	-
43	0594600601	8	Sealing Washer*	-
44	0594601201	2	Sealing Washer*	-
45	32A9013600	1	Gasket*	-
46	MM433993	1	O-ring*	-
47	32A6156900	4	Gasket*	-
48	32A0704500	1	Gasket*	-
49	3440711090	1	Rear Gasket Seal *	-
50	32A1104010	1	Front Seal*	-
51	3433004200	1	Gasket with Screen	-

*Not shown

Notes

Lifting Eye



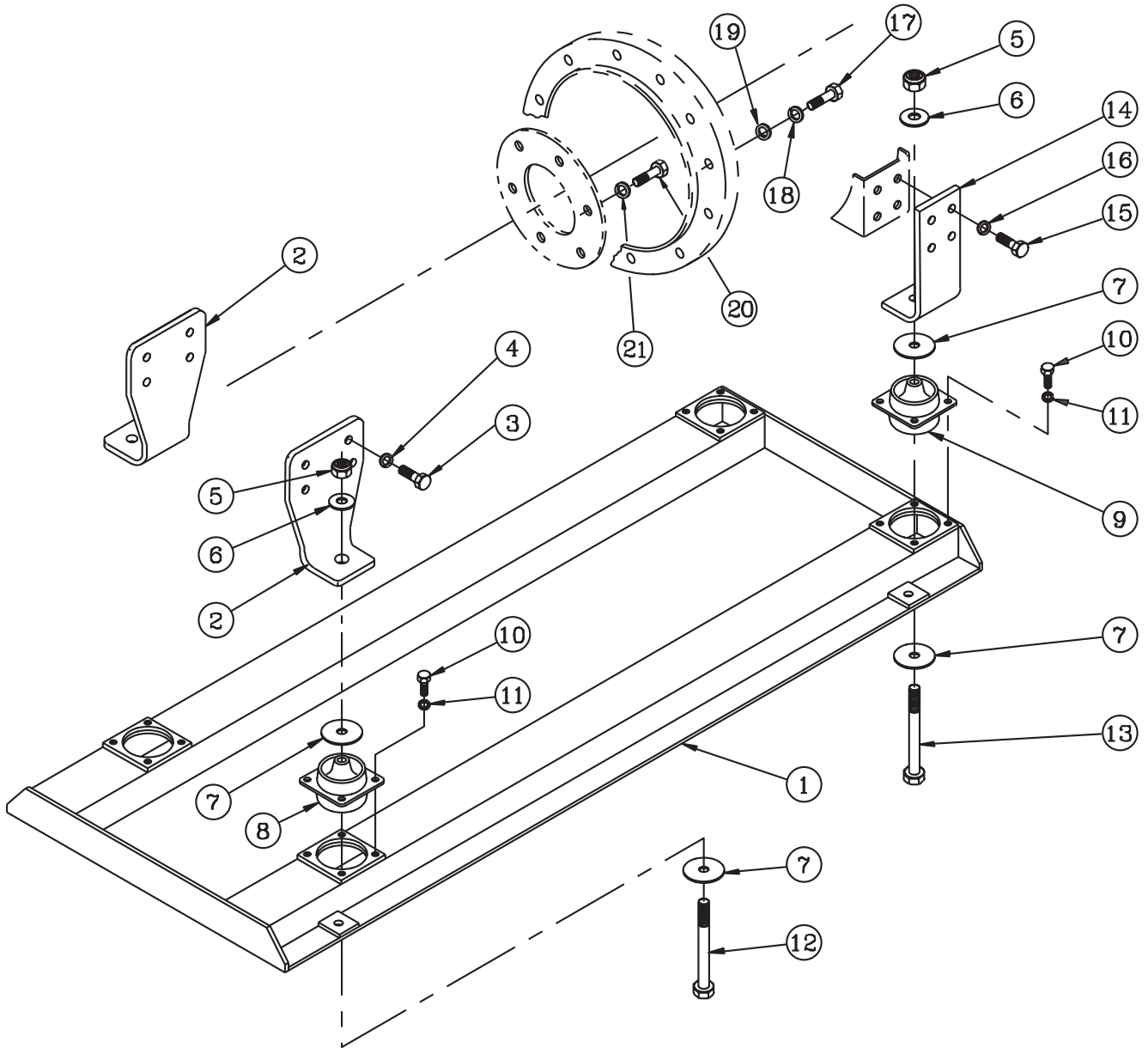
32B0107

KEY	PART NUMBER	QTY	DESCRIPTION	SERIAL NUMBER
1	00-71201	1	Front Lifting Eye	-
2	32A0102800	1	Rear Lifting Eye	-
3	32A0102501	1	Gasket, Head Rear	-
4	12-89751	2	Capscrew, Hex Head Flanged M8 x 1.25 x 16 mm	-
5	MF240053	4	Bolt	-

GROUP 8 - BASE FRAMES

Base Frame

M944W3 / PX-332K2 Generator up to S/N xxxx-47262C



A-11228, A-11437/ B-9075A

Base Frame

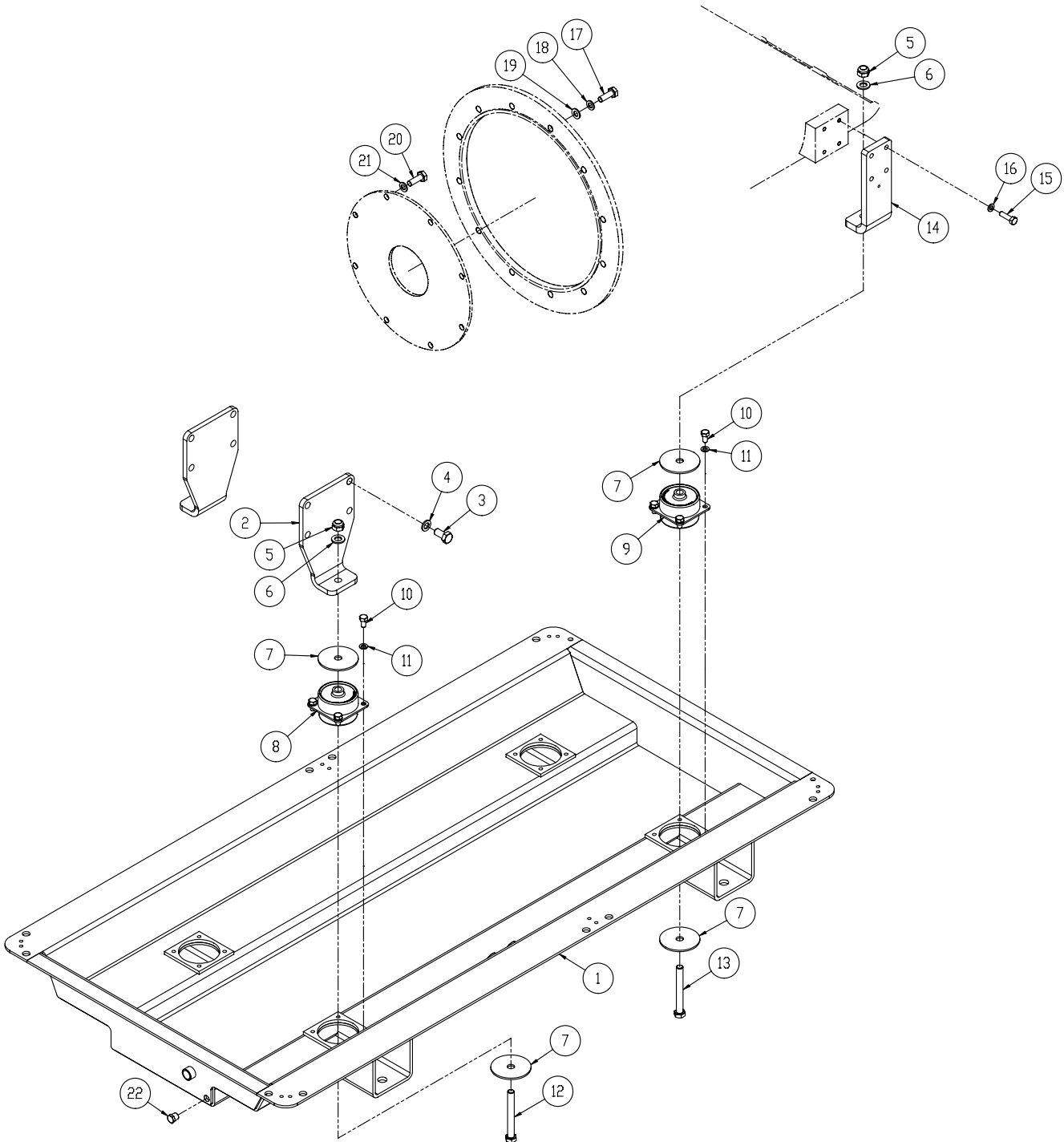
M944W3 / PX-332K2 Generator up to S/N xxxx-47262C

KEY	PART NUMBER	QTY	DESCRIPTION	SERIAL NUMBER
1	39-81201	1	Base Frame, Steel, Plateform Mounts	-
	39-81202	1	Base Frame, Aluminum, Plateform Mounts	-
2	23-81202	2	Mounting Bracket	-
3	12-09912	8	Capscrew, Hex Head M12 x 1.75 x 25 mm	-
4	15-09012	8	Lock Washer, Helical M12	-
5	14-09830	4	Hex Nut, Nylock M12 x 1.75 S/S	-
6	15-09007	4	Flat Washer M12 S/S	-
7	15-00020	8	Snubbing Washer	-
8	33-85406	2	Plateform Mount, 400 lb.	-
9	33-83106	2	Plateform Mount, 310 lb.	-
10	12-00776	16	Capscrew, Hex Head M8 x 1.25 x 20 mm	-
11	15-00705	16	Lock Washer, Helical M8 S/S	-
12	12-09924	2	Capscrew, Hex Head M12 x 1.75 x 100 mm S/S	-
13	12-09924	2	Capscrew, Hex Head M12 x 1.75 x 100 mm S/S	-
14	23-61201	2	Generator Support Bracket	-
15	12-09753	8	Capscrew, Hex Head M8 x 1.25 x 30 mm S/S	-
16	15-00705	8	Lock Washer, Helical M8 S/S	-
17	12-00832	12	Capscrew, Hex Head M10 x 1.5 x 30 mm	-
18	15-00802	12	Lock Washer M10	-
19	15-00805	12	Flat Washer M10	-
20	12-00832	8	Capscrew, Hex Head M10 x 1.5 x 30 mm	-
21	15-00802	8	Lock Washer M10	-

GROUP 8 - BASE FRAMES

Base Frame with Platform Mounting

M944 / PX-332K2 Generator From S/N xxxx-47263C



D-4507

Base Frame with Platform Mounting

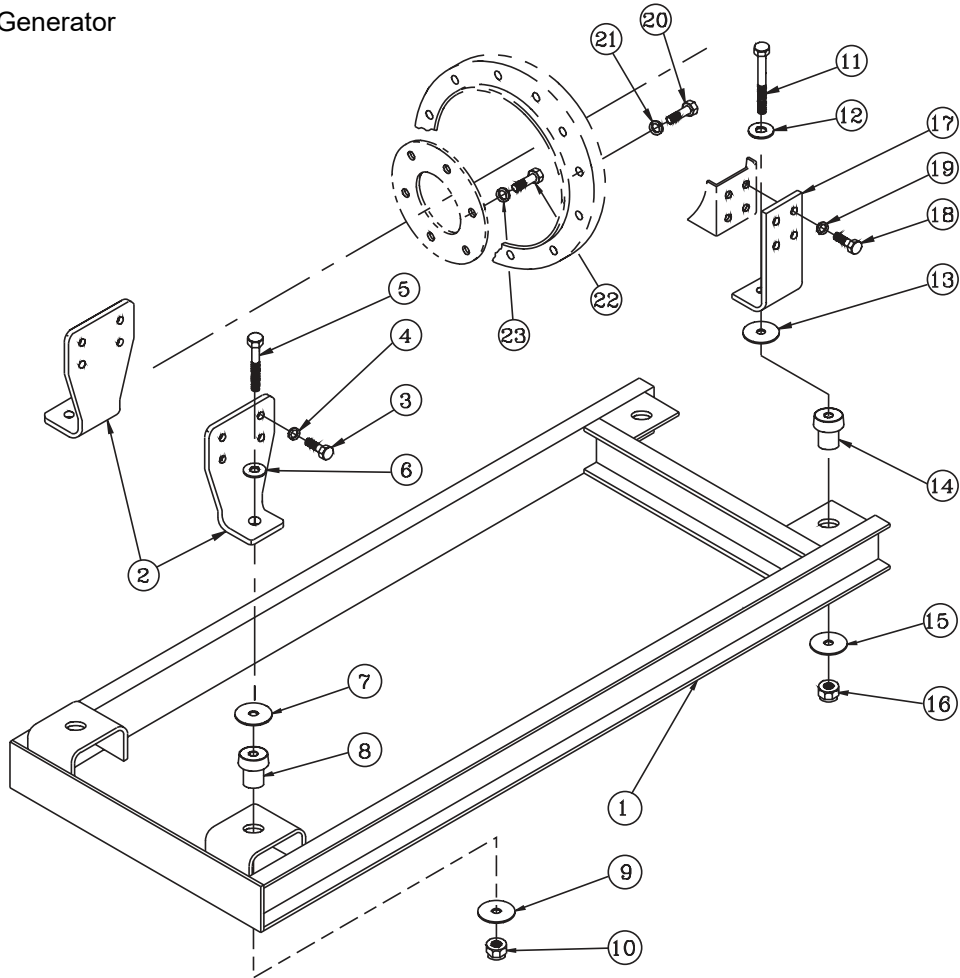
M944 / PX-332K2 Generator From S/N xxxx-47263C

KEY	PART NUMBER	QTY	DESCRIPTION	SERIAL NUMBER
1	39-81213	1	Base Frame, Steel, Platform Mounts	-
2	23-81202	2	Front Engine Mounting Bracket, LH, RH	-
3	12-09912	8	Capscrew, Hex Head M12 x 1.75 x 25 mm	-
4	15-09012	8	Lock Washer, Helical M12	-
5	14-09830	4	Hex Nut, Nylock M12 x 1.75 S/S	-
6	15-09007	4	Flat Washer M12 S/S	-
7	15-00040	8	Snubbing Washer S/S	-
8	33-85406	2	Platform Mount, 400 lb.	-
9	33-83106	2	Platform Mount, 310 lb.	-
10	12-09751	16	Capscrew, Hex Head M8 x 1.25 x 16 mm S/S	-
11	15-00705	16	Lock Washer, Helical M8 S/S	-
12	12-09924	2	Capscrew, Hex Head M12 x 1.75 x 100 mm S/S	-
13	12-09924	2	Capscrew, Hex Head M12 x 1.75 x 100 mm S/S	-
14	23-61201	2	Generator Support Bracket	-
15	12-09753	8	Capscrew, Hex Head M8 x 1.25 x 30 mm S/S	-
16	15-00705	8	Lock Washer, Helical M8 S/S	-
17	12-00832	12	Capscrew, Hex Head M10 x 1.5 x 30 mm	-
18	15-00802	12	Lock Washer M10	-
19	15-00805	12	Flat Washer M10	-
20	12-00832	8	Capscrew, Hex Head M10 x 1.5 x 30 mm	-
21	15-00802	8	Lock Washer M10	-
22	21-31624	1	Plug, Hex Head, Brass 1/4 NPT	-

GROUP 8 - BASE FRAMES

Base Frame M30CW3

PX-332K2 Generator

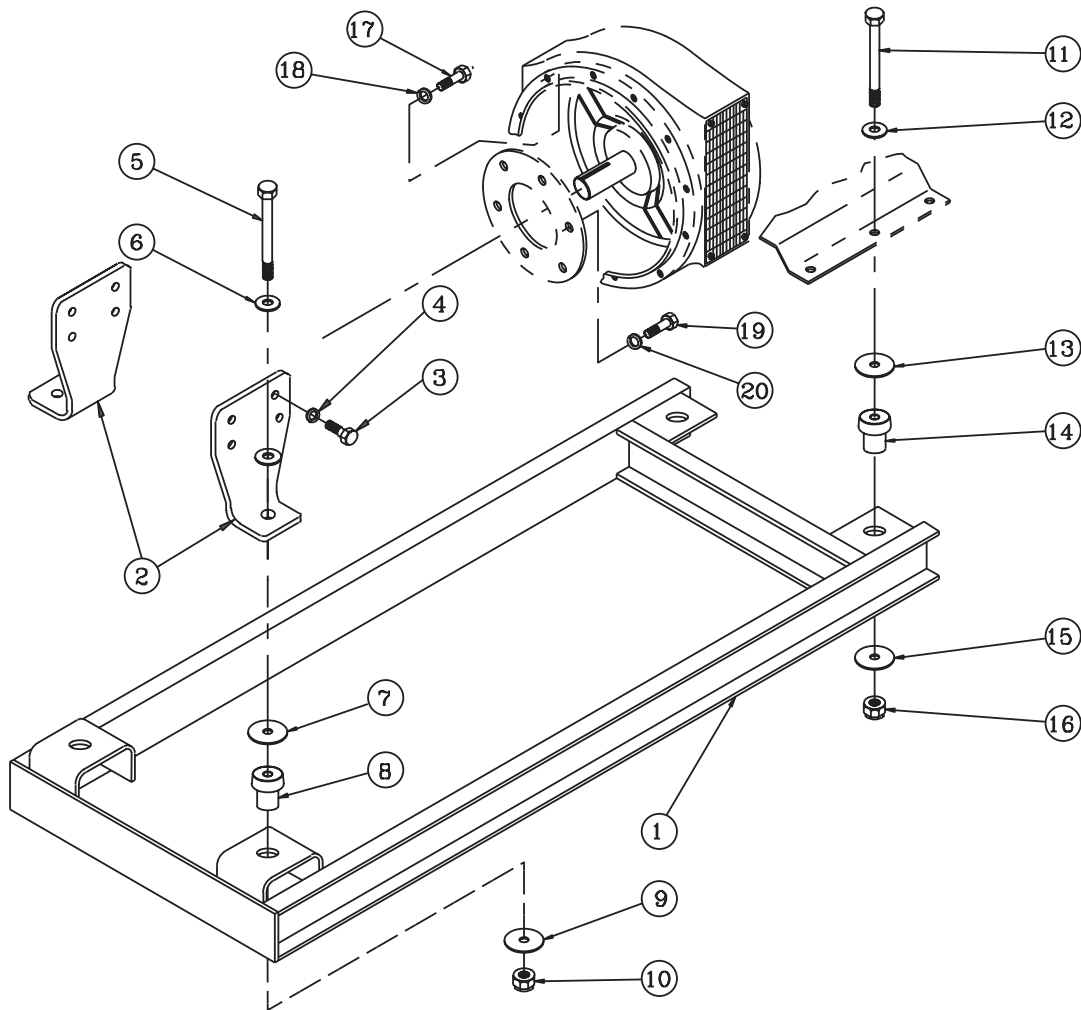


A-11208/ B-9078

KEY	PART NUMBER	QTY	DESCRIPTION	SERIAL NUMBER
1	39-81203	1	Base Frame, Steel, Centerbonded Mounts	-
2	23-81202	2	Front Engine Mounting Bracket	-
3	12-09912	8	Capscrew, Hex Head M12 x 1.75 x 25 mm	-
4	15-09012	8	Lock Washer, Helical M12 S/S	-
5	14-95501	2	Capscrew, Hex Head M12 x 1.75 x 75 mm S/S	-
6	15-09007	2	Flat Washer M12 S/S	-
7	15-00016	2	Head Washer	-
8	33-82254	2	Centerbonded Mount, 300 lb.	-
9	15-00026	2	Tail Washer	-
10	14-09830	2	Hex Nut, Nylock M12 x 1.75 S/S	-
11	12-95501	2	Capscrew, Hex Head M12 x 1.75 x 75 mm S/S	-
12	15-09007	2	Flat Washer M12 S/S	-
13	15-00016	2	Head Washer	-
14	33-82254	2	Centerbonded Mount, 300 lb.	-
15	15-00026	2	Tail Washer	-
16	14-09830	2	Hex Nut, Nylock M12 x 1.75	-
17	23-61201	2	Bracket, Generator Support LH/RH	-
18	12-09753	8	Capscrew, Hex Head M8 x 1.25 x 30 mm S/S	-
19	15-00705	8	Lock Washer, Helical M8	-
20	12-00832	12	Capscrew, Hex Head M10 x 1.5 x 30 mm	-
21	15-00804	12	Wave Washer, Helical M10	-
22	12-00832	8	Capscrew, Hex Head M10 x 1.5 x 30 mm	-
23	15-00804	8	Wave Washer, M10	-

Base Frame M30CW3

UCI224 Generator



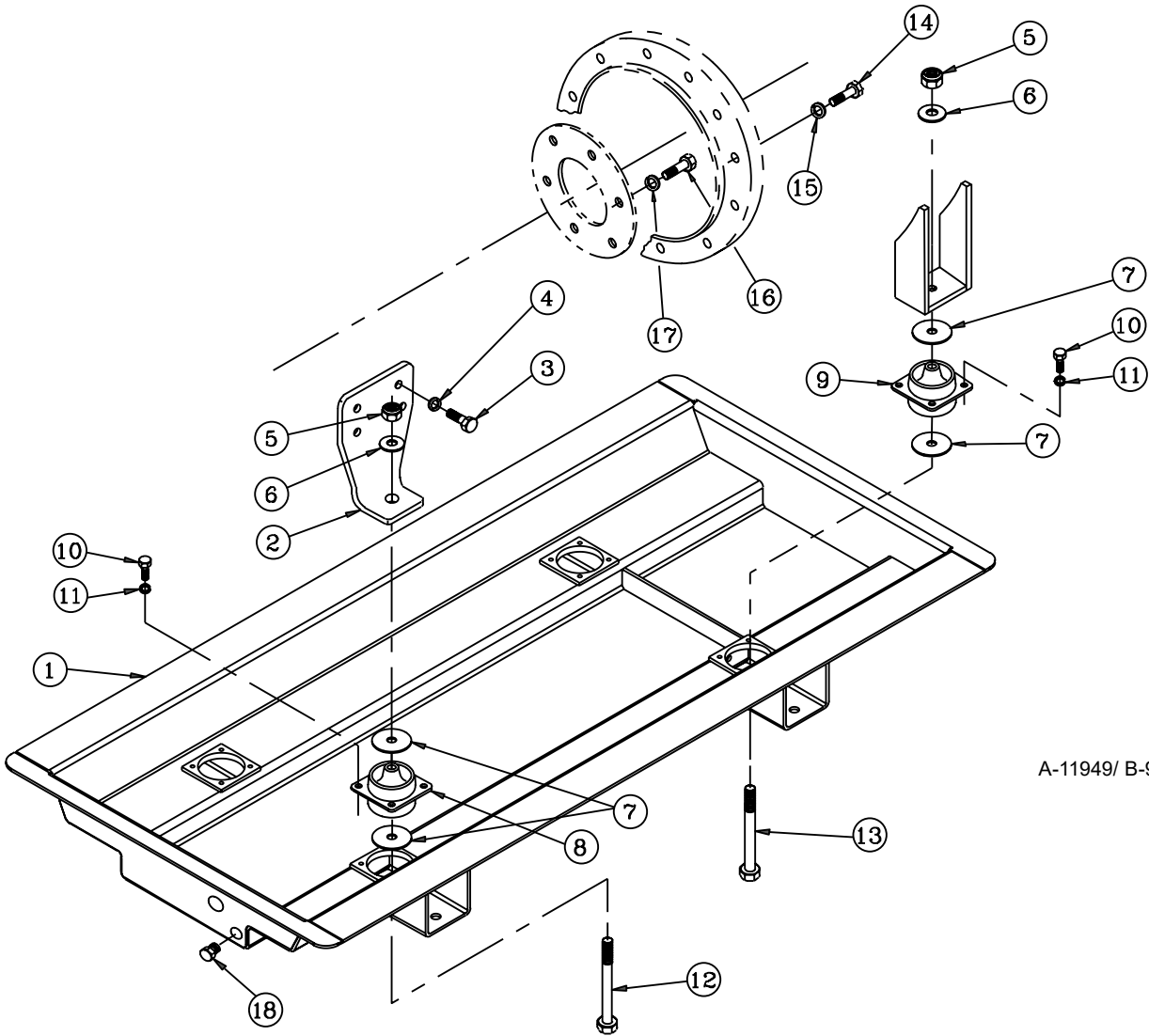
A-11475/ B-9076

KEY	PART NUMBER	QTY	DESCRIPTION	SERIAL NUMBER
1	39-81204	1	Base Frame, Centerbonded Mounts	-
2	23-81202	2	Front Engine Mounting Bracket	-
3	12-09912	8	Capscrew, Hex Head M12 x 1.75 x 25 mm	-
4	15-09012	8	Lock Washer, Helical M12	-
5	14-95501	2	Capscrew, Hex Head M12 x 1.75 x 75 mm S/S	-
6	15-09007	2	Flat Washer M12 S/S	-
7	15-00016	2	Head Washer	-
8	33-82254	2	Centerbonded Mount, 300 lb.	-
9	15-00026	2	Tail Washer	-
10	14-09830	2	Hex Nut, Nylock M12 x 1.75	-
11	12-95501	2	Capscrew, Hex Head M12 x 1.75 x 75 mm S/S	-
12	15-09007	2	Flat Washer M12	-
13	15-00016	2	Head Washer	-
14	33-82254	2	Centerbonded Mount, 300 lb.	-
15	15-00026	2	Tail Washer	-
16	14-09830	2	Hex Nut, Nylock M12 x 1.75	-
17	12-00832	12	Capscrew, Hex Head M10 x 1.5 x 30 mm	-
18	15-00802	12	Lock Washer, Helical M10	-
19	12-00805	8	Capscrew, Hex Head M10 x 1.5 x 30 mm	-
20	15-00307	8	Flat Washer M10 Hardened	-

GROUP 8 - BASE FRAMES

Base Pan M944T3

LX-E 34E Generator



A-11949/ B-9488

Base Pan M944T3

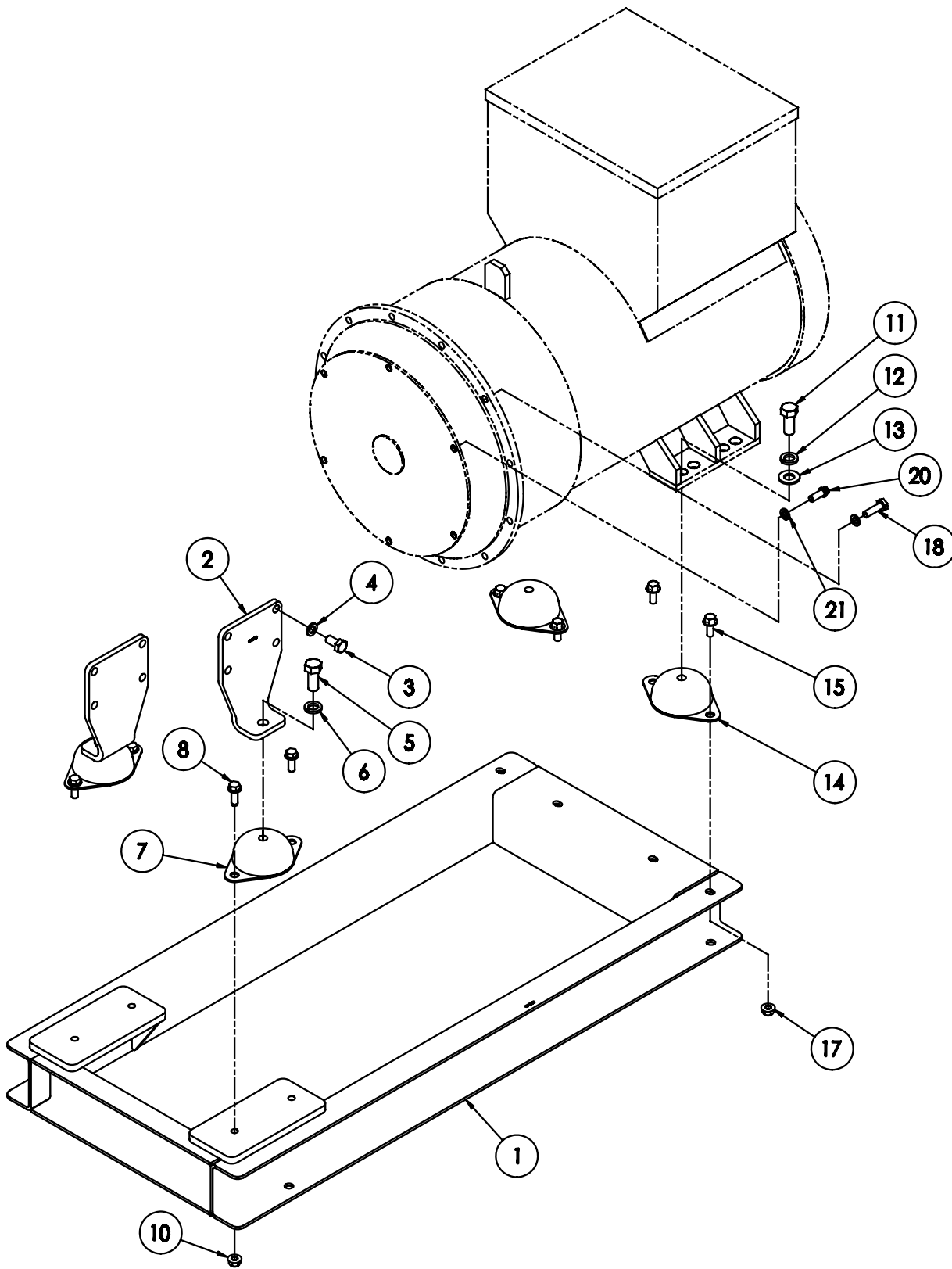
LX-E 34E Generator

KEY	PART NUMBER	QTY	DESCRIPTION	SERIAL NUMBER
1	39-81208	1	Steel Base Pan, Platform Mounts	-
2	23-81208	1	Mounting Bracket	-
3	12-09912	8	Capscrew, Hex Head M12 x 1.75 x 25 mm	-
4	15-09012	8	Lock Washer, Helical M12	-
5	14-09830	4	Hex Nut, Nylock M12 x 1.75 S/S	-
6	15-09007	4	Flat Washer M12 S/S	-
7	15-00020	8	Snubbing Washer	-
8	33-83106	2	Platform Mount, 310 lb. (without PTO)	-
	33-85406	2	Platform Mount, 400 lb. (with PTO)	-
9	33-85406	2	Platform Mount, 400 lb.	-
10	12-00776	16	Capscrew, Hex Head M8 x 1.25 x 20 mm	-
11	15-00705	16	Lock Washer, Helical M8 S/S	-
12	12-09924	2	Capscrew, Hex Head M12 x 1.75 x 100 mm S/S	-
13	12-09926	2	Capscrew, Hex Head M12 x 1.75 x 110 mm S/S	-
14	12-00832	12	Capscrew, Hex Head M10 x 1.5 x 30 mm	-
15	15-00804	12	Wave Washer M10	-
16	12-70808	8	Capscrew, 12 Point M10 x 1.5 x 20 mm Grade 12.9*	-
17	15-00307	8	Hardened Flat Washer*	-
18	21-31624	1	Plug, Hex Head Brass 1/4 NPT	-
			* Note: Replace Hex Head Capscrews and Lock washers (if installed) with new fasteners shown)	

GROUP 8 - BASE FRAMES

Steel Base Frame with TTB Style Mounts M40C3

ECP32 Generator



C-7114

Steel Base Frame with TTB Style Mounts M40C3

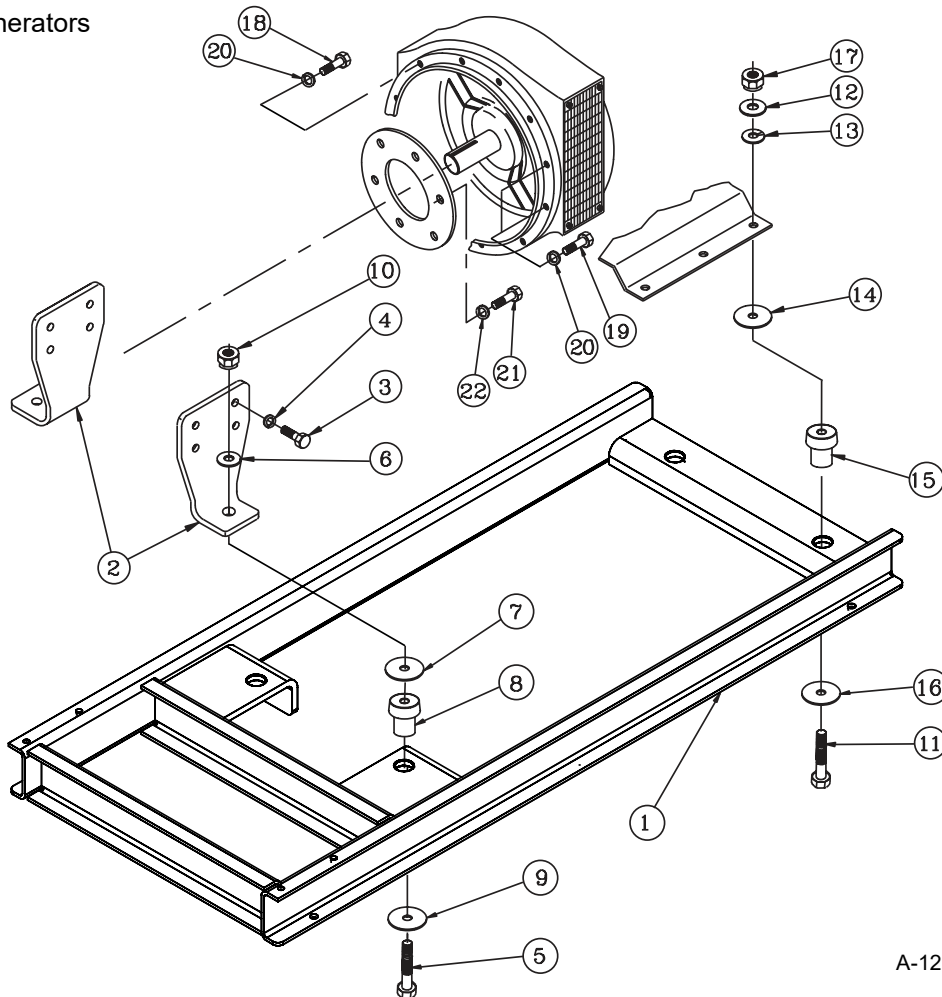
ECP32 Generator

KEY	PART NUMBER	QTY	DESCRIPTION	SERIAL NUMBER
1	39-81212	1	Steel Base Pan, TTB Mounts	-
2	23-81209	2	Bracket, Front Engine Mounting LH/RH	-
3	12-00912	8	Capscrew, Hex Head M12 x 1.75 x 25 mm	-
4	15-00912	8	Lock Washer, Helical M12	-
5	12-09830	2	Capscrew, Hex Head 5/8-11 x 1-1/2"	-
6	15-00902	2	Lock Washer Helical 5/8"	-
7	33-81020	2	Flex Mount 250 - 500 lb.	-
8	12-80832	4	Capscrew, Hex Head Flanged M10 x 1.5 x 30.. Grade 10.9	-
10	14-00815	4	Lock Nut Flanged M10 x 1.5 Property Class 10	-
11	12-00913	4	Capscrew, Hex Head 5/8-11 x 1-1/2"	-
12	15-00902	2	Lock Washer, Helical 5/8"	-
13	15-00903	2	Flat Washer 5/8" SAE Hardened	-
14	33-81020	2	Flex Mount 250 - 500 lb.	-
15	19M7785	4	Capscrew, Hex Hex Head Flanged M10 x 1.5 x 25 mm Grade 10.9	-
17	14-00815	4	Lock Nut Flanged M10 x 1.5 Property Class 10	-
18	01435-01030	12	Capscrew, Hex Head, Flanged M10 x 1.5 x 30mm Grade 10.9	-
20	01437-01020	8	Capscrew, 12 pt Flanged M10 x 1.5 x 20mm Black	-
21	15-00307	8	Falt Washer 3/8" / M10 Hardened	-

GROUP 8 - BASE FRAMES

Base Frame NL944D-T

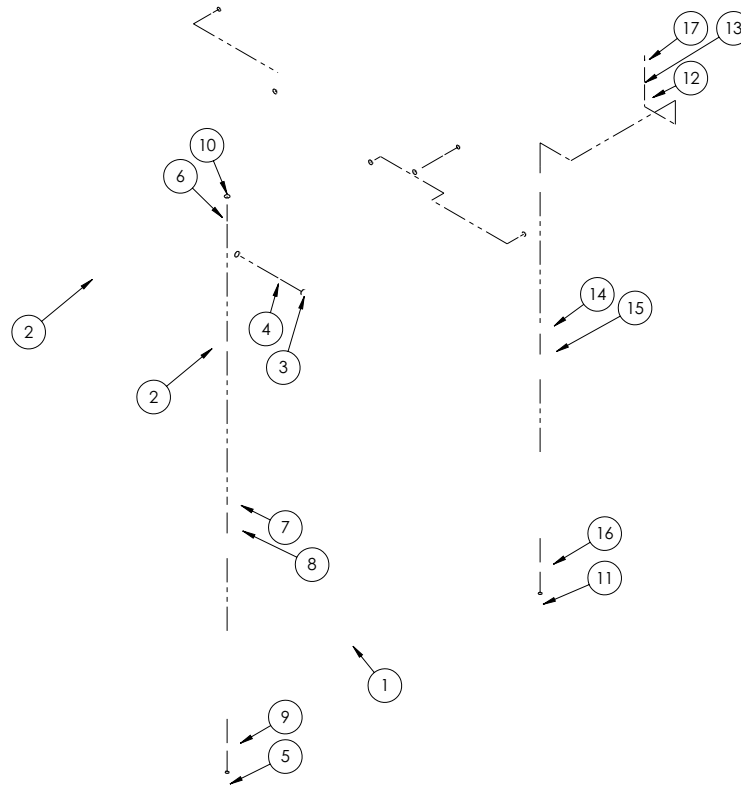
UCI224 Generators



A-12086, A-12312/ B-9781

KEY	PART NUMBER	QTY	DESCRIPTION	SERIAL NUMBER
1	39-81207	1	Base Frame, Steel, Centerbonded Mounts	-
2	23-81202	2	Front Engine Mounting Bracket	-
3	12-00912	8	Capscrew, Hex Head M12 x 1.75 x 25 mm	-
4	15-00912	8	Lock Washer, Helical M12	-
5	12-00964	2	Capscrew, Hex Head M12 x 1.75 x 75 mm	-
6	15-00007	2	Flat Washer M12	-
7	15-00016	2	Head Washer	-
8	33-82254	2	Centerbonded Mount, 300 lb.	-
9	15-00026	2	Tail Washer	-
10	14-00830	2	Hex Nut, Nylock M12 x 1.75	-
11	12-00964	2	Capscrew, Hex Head M12 x 1.75 x 75 mm	-
12	15-00501	2	Flat Washer 1/2"	-
13	15-00510	2	Lock Washer, Hi-collar 1/2"	-
14	15-00016	2	Head Washer	-
15	33-82254	2	Centerbonded Mount, 300 lb. (for UCI224C gen end, 3 phase)	-
	33-81054	2	Centerbonded Mount, 400 lb. (for UCI224E gen end, 1 phase)	-
16	15-00026	2	Tail Washer	-
17	14-00830	2	Hex Nut, Nylock M12 x 1.75	-
18	12-00814	8	Capscrew, Hex Head M10 x 1.5 x 35 mm	-
19	12-00812	4	Capscrew, Hex Head M10 x 1.5 x 40 mm	-
20	15-00802	12	Lock Washer, Helical M10	-
21	01437-01020	8	Capscrew, 12 PT M10 x 1.5 x 20 mm	-
22	15-00307	8	Flat Washer, 3/8" x M10 Hardened	-

Base Frame with Centerbonded Mounting NL944D3



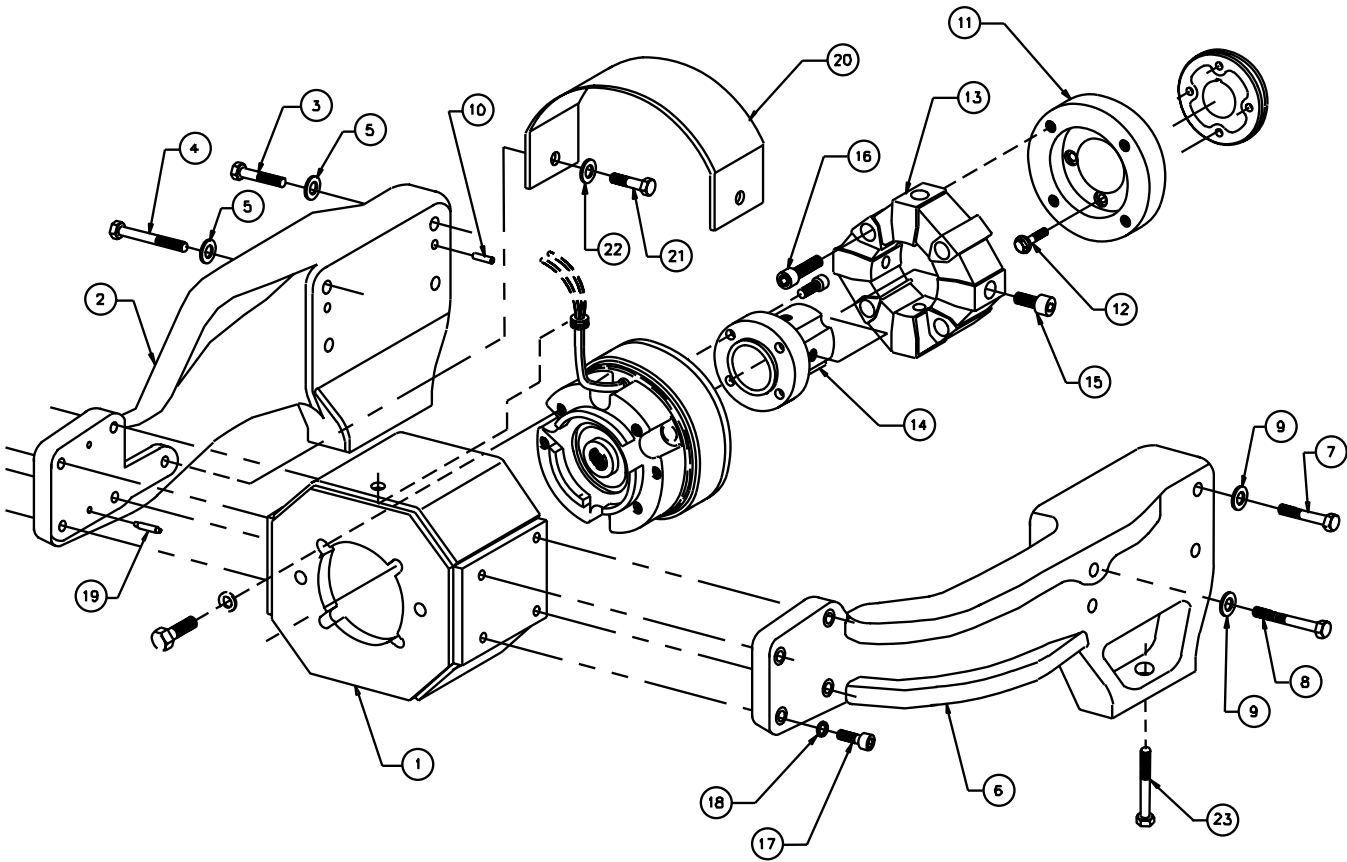
B-9780

KEY	PART NUMBER	QTY	DESCRIPTION	SERIAL NUMBER
1	39-81209	1	Base Frame, Steel, Centerbonded Mtg	-
2	23-81202	2	Bracket,front Engine Mtg Lh/rh M944	-
3	12-00912	8	Capscrew, Hex Head M12x1.75 X 25mm	-
4	15-00912	8	Lock Washer, Helical M12	-
5	12-00964	2	Capscrew, Hex Head M12x1.75 X 75mm	-
6	15-00007	2	Flat Washer M12	-
7	15-00016	2	Head Washer 2.38" X 0.53" X 0.125"	-
8	33-82254	2	Mount,centerbonded 300 Lb (No Color Code Marking)	-
9	15-00026	2	Tail Washer 2.25" X 0.52" X 0.125"	-
10	14-00830	2	Hex Nut,nylock M12x1.75 Class 8	-
11	12-00964	2	Capscrew, Hex Head M12x1.75 X 75mm	-
12	15-00501	2	Flat Washer 1/2" USS	-
13	15-04802	2	Lock Washer,hi-collar M12	-
14	15-00016	2	Head Washer 2.38" X 0.53" X 0.125"	-
15	33-82254	2	Mount,centerbonded 300 Lb (No Color Code Marking)	-
16	15-00026	2	Tail Washer 2.25" X 0.52" X 0.125"	-
17	14-00830	2	Hex Nut,nylock M12x1.75 Class 8	-
18	12-00814	12	Capscrew, Hex Head M10x1.5 X 35mm	-
19	15-00802	12	Lock Washer, Helical M10	-
20	01437-01020	8	Capscrew,12pt M10x1.5 X 20mm	-
21	01643-51032	8	15-00307 Flat Washer 3/8" / M10 Hardened	-

GROUP 9 - ACCESSORIES & OPTIONAL EQUIPMENT

PTO Adapter

M944 & M30C without Turbo

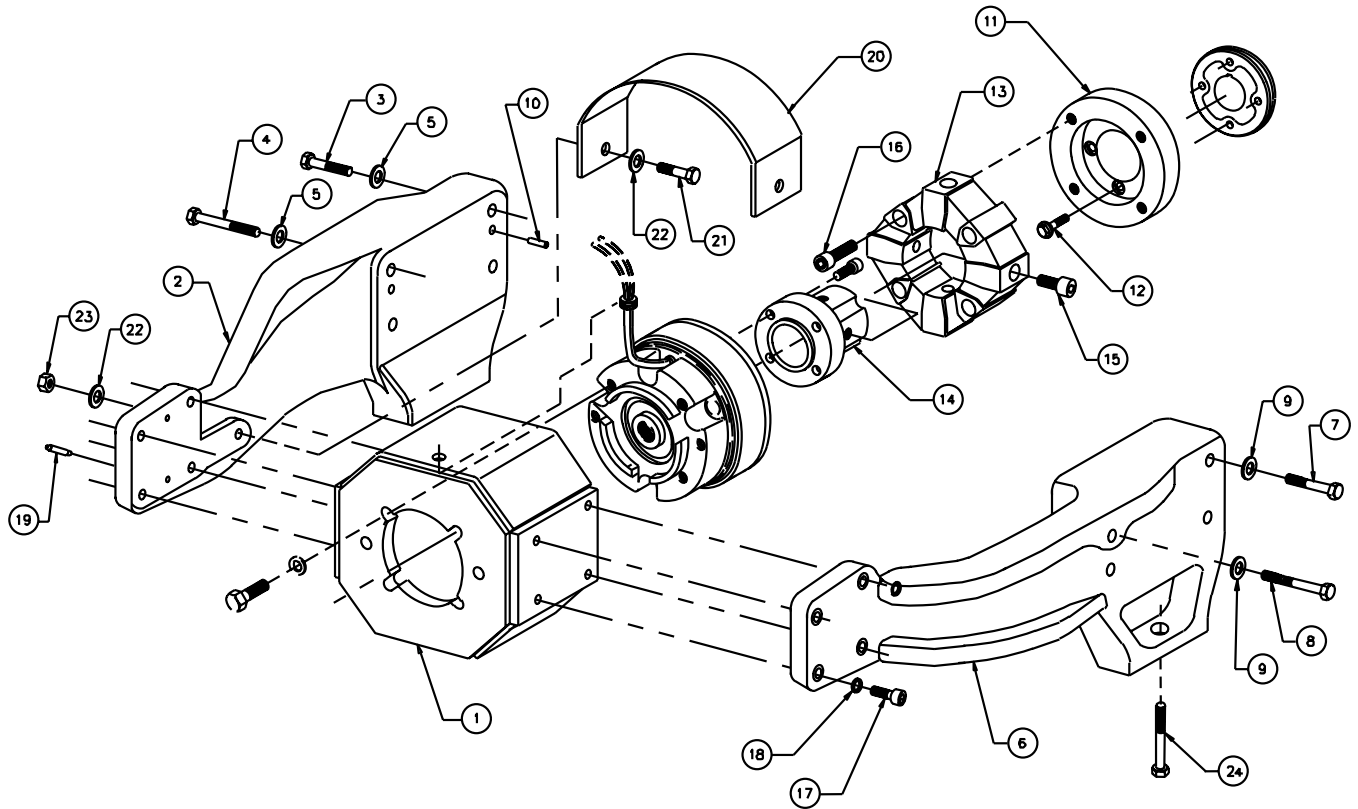


A-11327/ B-8938

KEY	PART NUMBER	QTY	DESCRIPTION	SERIAL NUMBER
1	10-65401	1	Housing, PTO Clutch H-28 B-Pad	-
2	23-61202	1	Bracket, Engine/PTO Support, Right hand	-
3	12-00037	3	Capscrew, Hex Head M12 x 1.75 x 45 mm	-
4	12-00955	1	Capscrew, Hex Head M12 x 1.75 x 60 mm	-
5	15-00007	4	Flat Washer M12	-
6	23-61203	1	Bracket, Engine/PTO Support, Left hand	-
7	12-00964	3	Capscrew, Hex Head M12 x 1.75 x 75 mm	-
8	12-00922	1	Capscrew, Hex Head M12 x 1.75 x 90 mm	-
9	15-00007	4	Flat Washer M12	-
10	32-61201	4	Dowel Pin 8 mm OD	-
11	31-61201	1	Adapter, PTO Drive	-
12	19M7867	4	Capscrew, Hex Head Flanged M8 x 1.25 x 25 mm	-
13	34-65406	1	Coupling Assembly Size 22	-
14	34-65407	1	Hub	-
15	12-20920	4	Capscrew, Socket Head M12 x 1.75 x 40 mm	-
16	12-20914	4	Capscrew, Socket Head M12 x 1.75 x 35 mm	-
17	12-34803	8	Capscrew, Socket Head M10 x 1.5 x 25 mm	-
18	15-00805	8	Flat Washer, M10	-
19	32-60001	4	Taper Pin #4 x 1"	-
20	00-61201	1	Guard, PTO Coupling	-
21	12-00831	2	Capscrew, M10 x 1.5 x 25 mm	-
22	15-00802	2	Lock Washer, Helical M10	-
23	12-09926	2	Capscrew, Hex Head M12 x 1.75 x 110 mm S/S	-

PTO Adapter

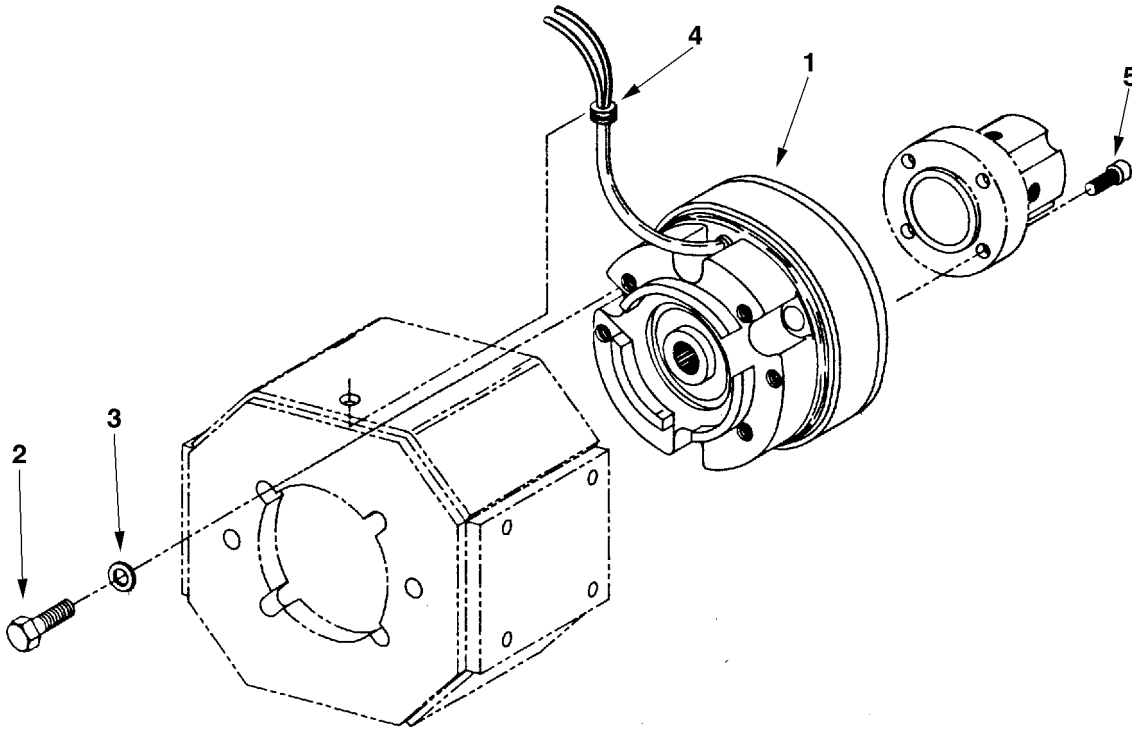
M944T3 - M40C3 with Turbo



A-11327/ B-8938

KEY	PART NUMBER	QTY	DESCRIPTION	SERIAL NUMBER
1	10-65401	1	Housing, PTO Clutch	-
2	23-61209	1	Bracket, Engine/PTO Support, Right hand	-
3	12-00037	3	Capscrew, Hex Head M12 x 1.75 x 45 mm	-
4	12-00955	1	Capscrew, Hex Head M12 x 1.75 x 60 mm	-
5	15-00007	4	Flat Washer M12	-
6	23-61210	1	Bracket, Engine/PTO Support, Left hand	-
7	12-00964	3	Capscrew, Hex Head M12 x 1.75 x 75 mm	-
8	12-00922	1	Capscrew, Hex Head M12 x 1.75 x 90 mm	-
9	15-00007	4	Flat Washer M12	-
10	32-61201	4	Dowel Pin 8 mm OD	-
11	31-61201	1	Adapter, PTO Drive	-
12	19M7867	4	Capscrew, Hex Head Flanged M8 x 1.25 x 25 mm	-
13	34-65406	1	Coupling Assembly	-
14	34-65407	1	Hub	-
15	12-20920	4	Capscrew, Socket Head M12 x 1.75 x 40 mm	-
16	12-20914	4	Capscrew, Socket Head M12 x 1.75 x 35 mm	-
17	12-34802	8	Capscrew, Socket Head M10 x 1.5 x 30 mm	-
18	15-00805	8	Flat Washer, M10	-
19	32-60003	4	Taper Pin #4 x 1-1/2"	-
20	00-61201	1	Guard, PTO Coupling	-
21	12-09819	2	Capscrew, M10 x 1.5 x 75 mm S/S	-
22	15-09805	2	Flat Washer M10 S/S	-
23	14-09812	2	Hex Nut, Nylock M10 x 1.5 S/S	-
24	12-09926	2	Capscrew, Hex Head M12 x 1.75 x 110 mm S/S	-

Electric Clutch

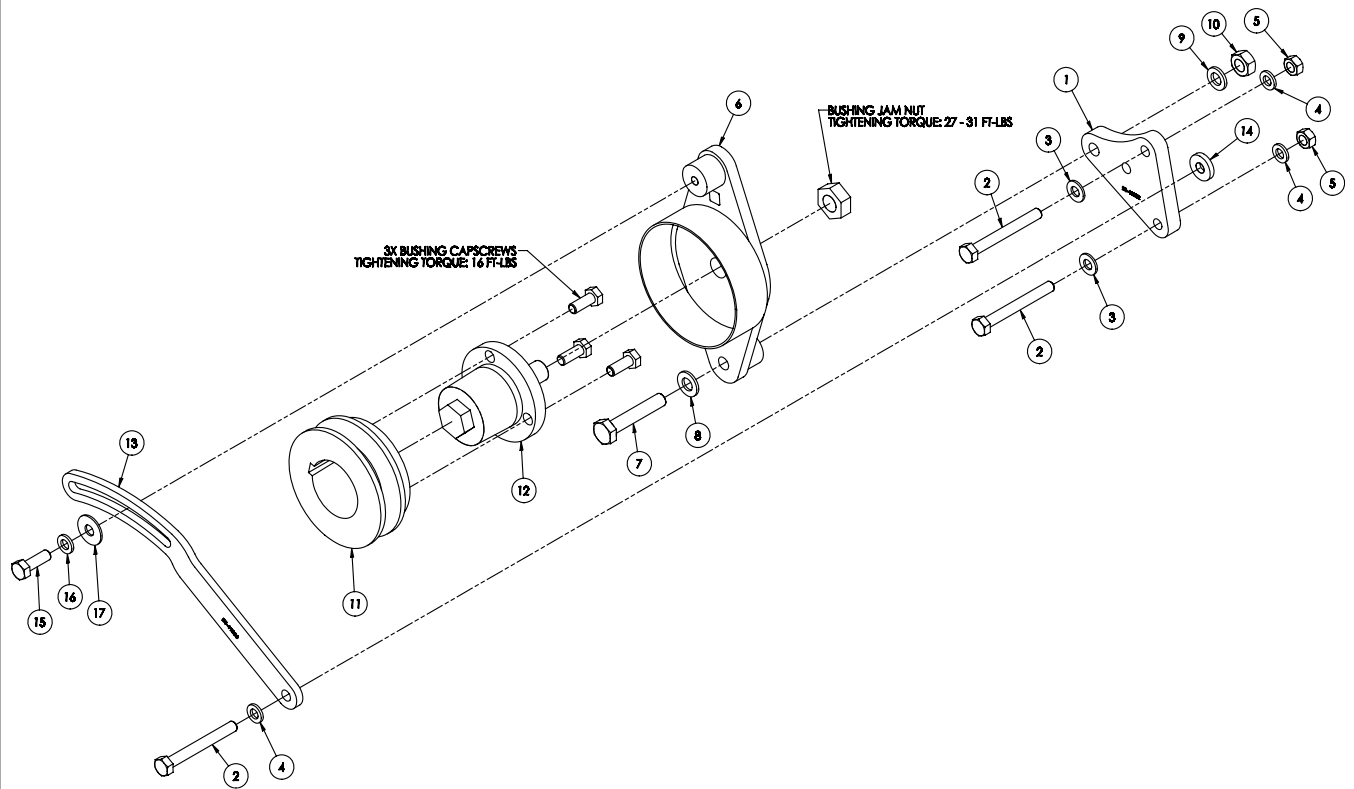


A-6291 + A-6346 / C-302

KEY	PART NUMBER	QTY	DESCRIPTION	SERIAL NUMBER
1	34-60031	1	Electric Clutch Assembly (12 volt)	-
	34-60032	1	Electric Clutch Assembly (24 volt)	-
2	12-00513	4	Capscrew, Hex Head 1/2-13 x 1-1/4	-
3	15-00007	4	Flat Washer M12	-
4	00-61003	1	Grommet	-
5	12-63800	4	Capscrew, Socket Head 3/8-24 x 3/4	-

Idler Pulley And Mounting

M944T3 - M40C3



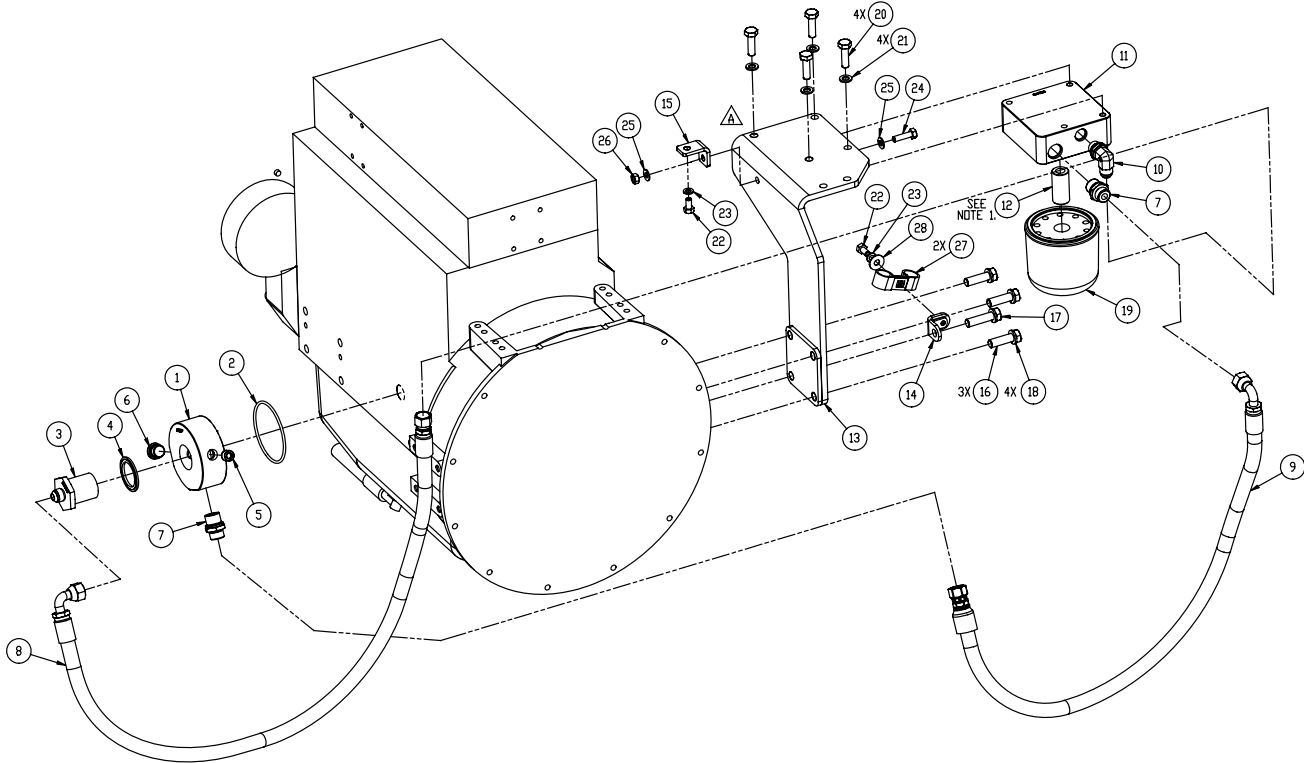
C-7152

KEY	PART NUMBER	QTY	DESCRIPTION	SERIAL NUMBER
1	23-41202	1	Bracket	-
2	12-00718	2	Capscrew, Hex Head M8 x 1.25 x 65mm	-
3	15-00701	3	Flat Washer M8	-
4	15-00702	4	Lock Washer, Helical M8	-
5	14-00711	3	Hex Nut M8 x 1.5 x 1.25 Property Class 8	-
6	23-71214	1	Bracket	-
7	12-00817	1	Capscrew, Hex Head M10 x 1.5 x 55mm	-
8	15-00805	1	Flat Washer M10	-
9	15-00802	1	Lock Washer, Helical M10	-
10	14-00811	1	Hex Nut M10 x 1.5 (17mm HEX)	-
11	34-71201	1	Pulley 3.4" OD x 1 A/B Groove, Taper Lock Type	-
12	34-71008	1	Idler Bushing, Dual Bearing with 5/8"OD Shaft	-
13	23-41206	1	Bracket	-
14	15-00708	1	Stud Washer	-
15	12-09712	1	Capscrew, Hex Head M8 x 1.25 x 25 mm S/S	-
16	15-00705	1	Lock Washer, Helical M8 S/S	-
17	15-70004	1	Snubbing Washer S/S	-
18	12-34801	1	Capscrew, Hex Head M8 x 1.25 x 70 mm	-
19	12-00753	1	Capscrew, Hex Head M8 x 1.25 x 30mm	-
20	40-45401	1	Drive Belt (not shown)	-
21	56-60008	2	Bearing (used with 34-71008 - Not Shown)	-
<p>* Note: Belt Guards for M944T3 & M40C3 With Small Frame 12 volt 75 Amp Apply (See parts detail)</p>				

GROUP 9 - ACCESSORIES & OPTIONAL EQUIPMENT

Oil Filter Relocation, Right Hand Mounting

M944W3



D-4435

Oil Filter Relocation, Right Hand Mounting

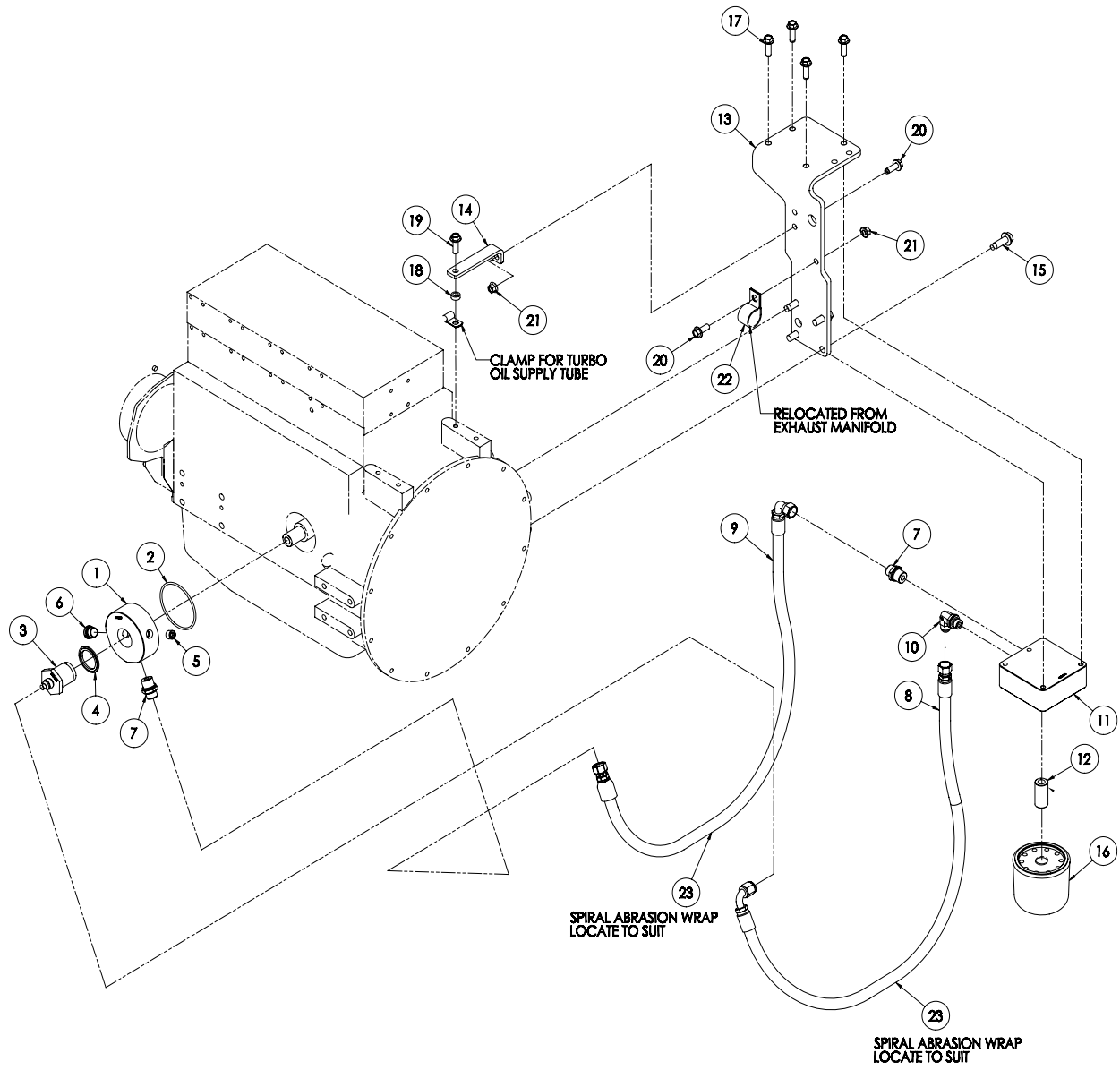
M944W3

KEY	PART NUMBER	QTY	DESCRIPTION	SERIAL NUMBER
1	31-01202	1	Adapter, Remote Oil Filter - Engine Side	-
2	16-01201	1	O-Ring	-
3	21-01203	1	Union Fitting	-
4	15-00048	1	Sealing Washer, Bonded 1-1/4 BSPP	-
5	21-10055	1	Plug, Skt Hd, Brass, 3/8 NPT	-
6	21-01204	1	Plug, Skt Hd, Steel M18 x 1.5	-
7	21-01205	2	Male Connector, M22 x 1.5 x 1/2 O-R Face Seal	-
8	18-01201	1	Hose Assembly 1/2" ID x 42" 1/2 FMS90 x 1/2 FMS	-
9	18-01202	1	Hose Assembly 1/2" ID x 36"	-
			1/2 O-R Face Seal 90 x 1/2 O-R Face Seal	-
10	21-70022	1	Male Elbow 90, Steel, M18 x 1.5 x 1/2-37T	-
11	31-01203	1	Adapter, Oil Filter Mounting - Remote Position	-
12	32A4001101	1	Union Fitting, Oil Filter Mounting	-
13	23-71205	1	Bracket	-
14	23-09702	1	Bracket	-
15	23-71209	1	Bracket	-
16	12-04802	3	Capscrew, Hex Head M12 x 1.75 x 40mm	-
17	12-00037	1	Capscrew, Hex Head M12 x 1.75 x 45mm	-
18	15-00912	4	Lock Washer Helical M12	-
19	24-01201	1	Oil Filter	-
20	12-00814	4	Capscrew, Hex Head M10 x 1.5 x 35mm	-
21	15-00802	4	Lock Washer, Helical M10	-
22	12-00751	2	Capscrew, Hex Head M8 x 1.25 x 16mm	-
23	15-00702	2	Lock Washer, Helical M8	-
24	12-00753	1	Capscrew, Hex Head M8 x 1.25 x 30mm	-
25	15-00701	2	Flat Washer M8 DIN	-
26	14-04802	1	Hex Nut, Nylock M8 x 1.25	-
27	19-71036	2	Adelle Clamp	-
28	15-70004	1	Snubbing Washer S/S	-

GROUP 9 - ACCESSORIES & OPTIONAL EQUIPMENT

Oil Filter Relocation, Right Hand Mounting

M944T3



D-4900

Oil Filter Relocation, Right Hand Mounting

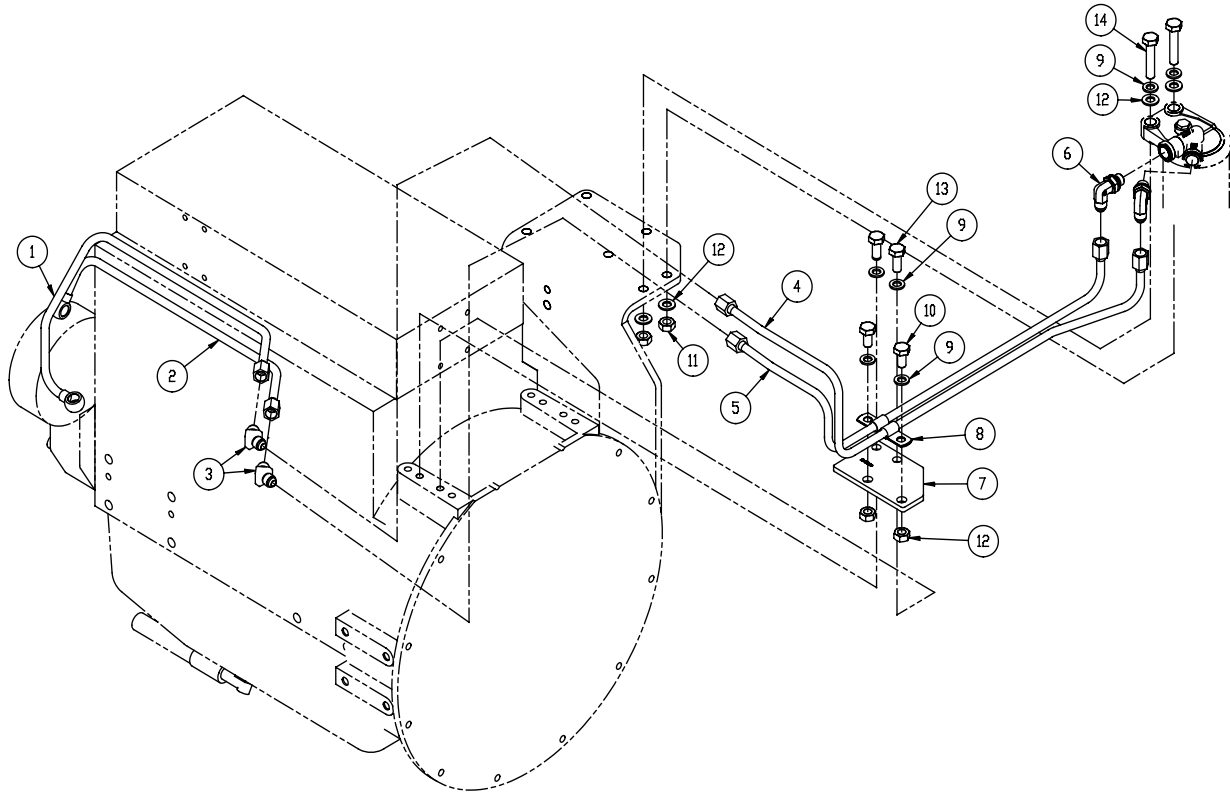
M944T3

KEY	PART NUMBER	QTY	DESCRIPTION	SERIAL NUMBER
1	31-01202	1	Adapter, Remote Oil Filter - Engine Side	-
2	16-01201	1	O-Ring	-
3	21-01203	1	Union Fitting	-
4	15-00048	1	Sealing Washer, Bonded 1-1/4 BSPP	-
5	21-10055	1	Plug, Skt Hd, Brass 3/8NPT	-
6	21-01204	1	Plug, Skt Hd, Steel, M18 x 1.5	-
7	21-01205	2	Male Connector, Steel, M22 x 1.5 x 1/2 O-R Face Seal	-
8	18-01203	1	Hose Assembly 1/2" ID x 43-1/2" 1/2 FMS	-
9	18-01204	1	Hose Assembly 1/2" ID x 39" 1/2 O-R Face Seal 90 x 1/2 O-R Face Seal	-
10	21-70022	1	Male Elbow, 90, Steel M18 x 1.5 x 1/2-37T	-
11	31-01203	1	Adapter	-
12	32A4001101	1	Adapter Union	-
13	23-71212	1	Bracket	-
14	23-71213	1	Bracket	-
15	01435-01230	4	Capscrew, Hex Head M12 x 1.75 x 30mm Grade 10.9	-
16	24-01201	1	Oil Filter	-
17	01435-01030	4	Capscrew, Hex Head M10 x 1.5 x 30 mm Grade 10.9	-
18	21-71214	1	Spacer	-
19	01435-01030	1	Capscrew, Hex Head M10 x 1.5 x 30mm Grade 10.9	-
20	01435-01025	2	Capscrew, Hex Head Flanged M10 x 1.5 x 25mm Grade 10.9	-
21	01584-01008	2	Hex Nut, Flanged M10 x 1.5	-
22	19-71031	1	Adelle Clamp 1-1/4" ID x 1/2" Stud	-
23	44-00012	36	Spiral Abrasion Wrap 3/4" ID (Black)	-

GROUP 9 - ACCESSORIES & OPTIONAL EQUIPMENT

Fuel Filter Relocation, Right Hand Mounting

M944W3



D-4440

Fuel Filter Relocation, Right Hand Mounting

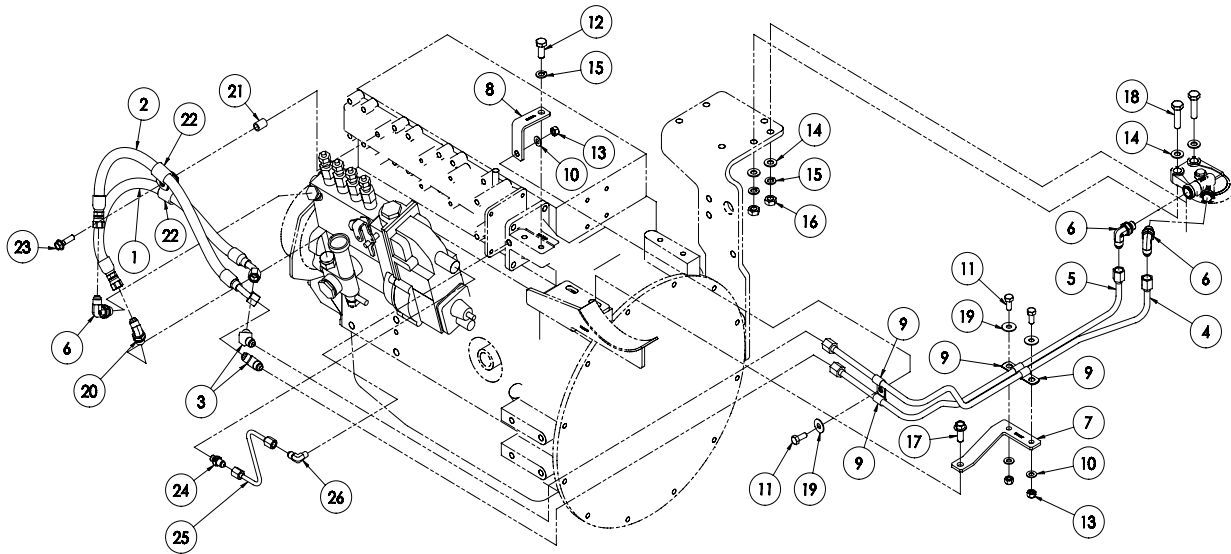
M944W3

KEY	PART NUMBER	QTY	DESCRIPTION	SERIAL NUMBER
1	27-51206	1	Tube Assembly, Fuel Lift Pump Outlet	-
2	27-51207	1	Tube Assembly, Injection Pump Inlet	-
3	21-59601	2	Union Elbow, 45, Steel, 3/8-37T	-
4	27-51208	1	Tube Assembly, Fuel Filter Inlet	-
5	27-51209	1	Tube Assembly, Fuel Filter Outlet	-
6	21-54901	2	Male Elbow, 90, Steel M14 x 1.5 x 3/8-37T	-
7	23-51205	1	Bracket	-
8	19-72252	2	Adelle Clamp 3/8" Stud	-
9	15-00802	6	Lock Washer, Helical M10	-
10	12-00805	2	Capscrew, Hex Head M10 x 1.5 x 20mm	-
11	15-00805	4	Flat Washer M10	-
12	14-00811	4	Hex Nut M10 x 1.5	-
13	12-00831	2	Capscrew, Hex Head M10 x 1.5 x 25mm	-
14	12-00816	2	Capscrew, Hex Head M10 x 1.5 x 50mm	-

GROUP 9 - ACCESSORIES & OPTIONAL EQUIPMENT

Fuel Filter Relocation, Right Hand Mounting

M944T3



C-7184

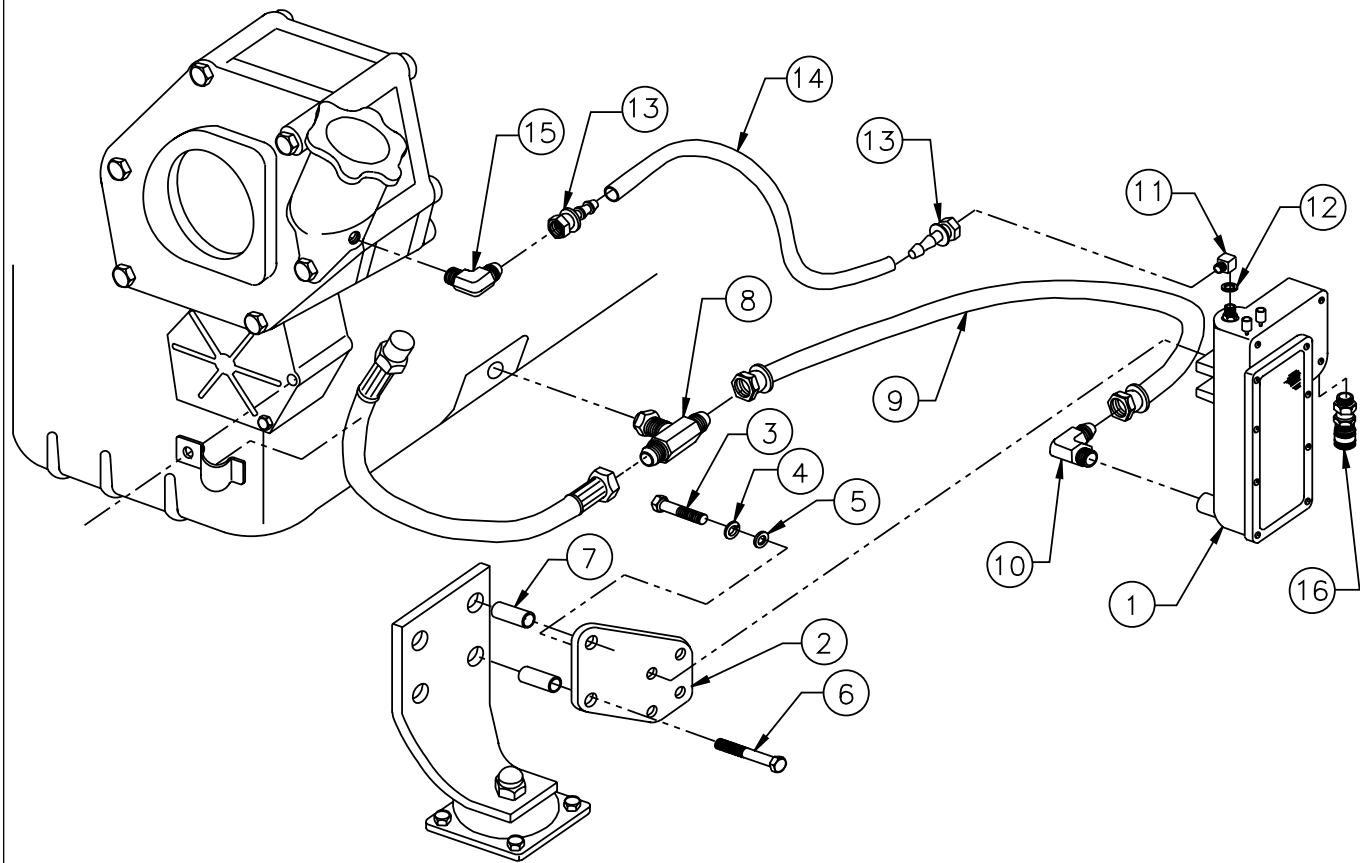
Fuel Filter Relocation, Right Hand Mounting

M944T3

KEY	PART NUMBER	QTY	DESCRIPTION	SERIAL NUMBER
1	18-51235	1	Hose Assembly 5/16" ID x 23" 3/8FMS45 x 3/8FMS USCG A-1 SAE	-
2	18-51234	1	Hose Assembly 5/16" ID x 22" 3/8MJIC x 3/8FMS USCG A-1 SAE	-
3	21-59601	1	Union Elbow 45, Steel 3/8-37T	-
4	27-51215	1	Tube Assembly, Fuel Filter Inlet	-
5	27-51216	1	Tube Assembly, Fuel Filter Outlet	-
6	21-54901	3	Male Elbow, 90, Steel M14 x 1.5 x 3/8-37T	-
7	23-21207	1	Bracket	-
8	23-51208	1	Bracket	-
9	19-72252	4	Adelle Clamp 3/8" ID x 3/8" Stud	-
10	15-00706	3	Flat Washer M8 S/S (316)	-
11	12-00776	3	Capscrew, Hex Head M8 x 1.25 x 20mm S/S (316)	-
12	12-09831	1	Capscrew, Hex Head M10 x 1.5 x 25mm S/S (316)	-
13	14-09712	3	Hex Nut, Nylock M8 x 1.25 S/S (316)	-
14	15-09805	4	Flat Washer M10 S/S (316)	-
15	15-00808	3	Lock Washer, Helical M10 S/S (316)	-
16	14-00817	2	Hex Nut, M10 x 1.5 S/S (316)(17mm Hex)	-
17	01435-01025	1	Capscrew, Hex Head Flanged M10 x 1.5 x 25mm Grade 10.9	-
18	12-09812	2	Capscrew, Hex Head M10 x 1.5 x 40mm S/S (316)	-
19	15-70004	3	Snubbing Washer S/S	-
20	21-54902	1	Male Elbow 45, Steel M14 x 1.5 x 3/8-37T	-
21	21-42241	1	Spacer	-
22	19-41900	2	Adelle Clamp 3/4" ID x 3/8" Stud	-
23	01435-00835	1	Capscrew, Hex Head FLanged M8 x 1.25 x 35mm Grade 10.9	-
24	21-59528	1	Male Connector Steel, 1/4-37T x M10 x 1.0	-
25	27-01203	1	Tube Assembly	-
26	21-71053	1	Male Elbow, 90 Steel 1/8NPT x 1/4-37T	-

Low Oil Level Switch/ Gauge

M944W3 without PTO



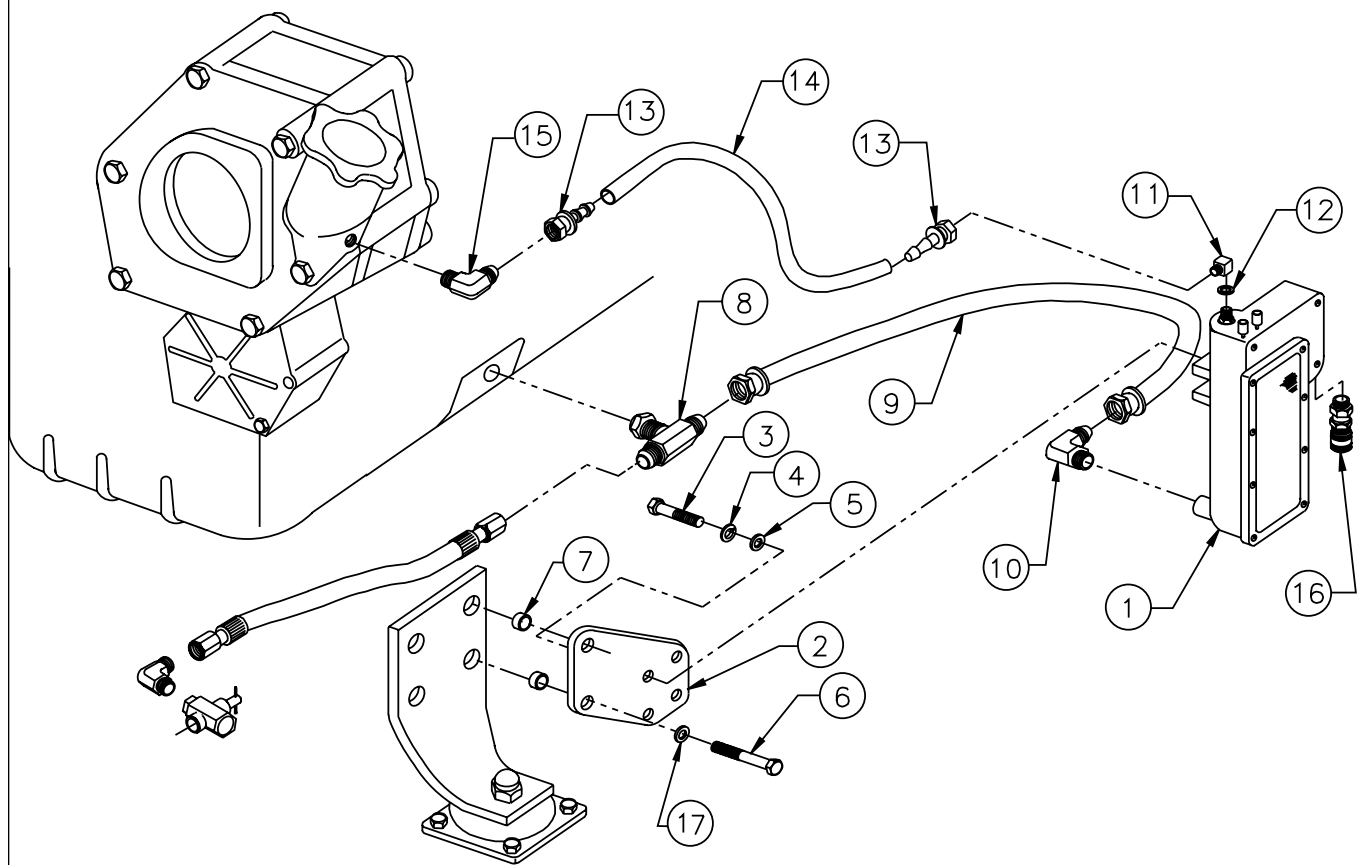
A-11392/ B-9160

KEY	PART NUMBER	QTY	DESCRIPTION	SERIAL NUMBER
1	22-10004	1	Oil Level Switch/ Gauge	-
2	23-71202	1	Bracket	-
3	12-00111	4	Capscrew, Hex Head 1/2- 20 x 3/4"	-
4	15-00102	4	Lock Washer Helical 1/4"	-
5	15-00111	4	Flat Washer 1/4"	-
6	12-00967	2	Capscrew, Hex Head M12 x 1.75 x 80 mm	-
7	21-15403	2	Spacer	-
8	21-71201	1	Male Branch Tee, Steel M14 x 1.5 x 3/8- 37	-
9	18-11006	1	Hose Assembly, 3/8" I.D. x 13"	-
10	21-70011	1	Male Elbow, 90° Steel 1/2 NPT x 3/8- 37T	-
11	21-92200	1	Female Elbow, 90° Brass 1/8 NPT x 1/4- 45T	-
12	15-09805	1	Flat Washer M10 S/S	-
13	21-71045	2	Female Swivel, Brass 1/4 HB x 1/4- 45T Push-on	-
14	41-01011	9	Hose, 1/4" I.D. Push-on	-
15	21-71043	1	Male Elbow, 90° Brass 1/8 NPT x 1/4- 45T	-
16	00-40016	1	Strain Relief Connection 1/2 NPT	-

GROUP 9 - ACCESSORIES & OPTIONAL EQUIPMENT

Low Oil Level Switch/ Gauge

M944T3 Without PTO



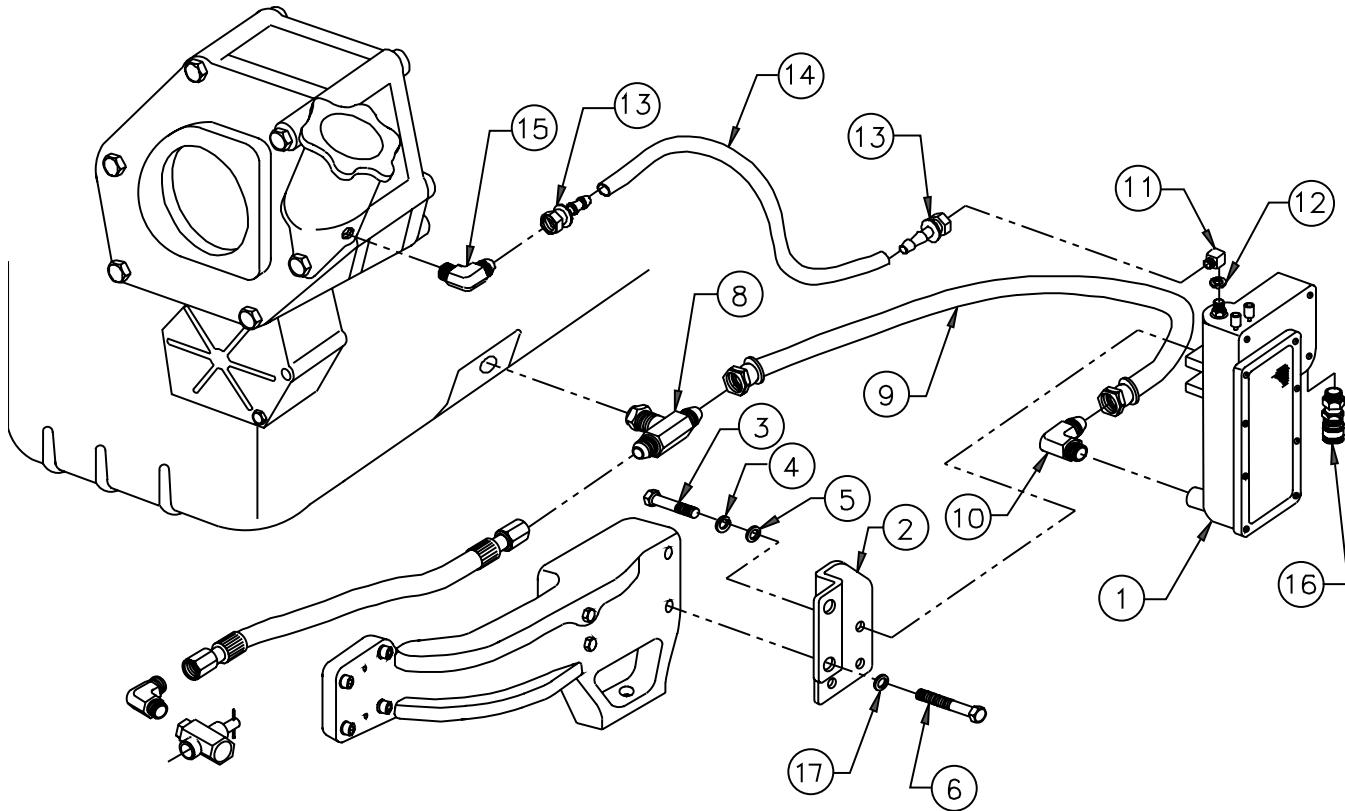
A-11392/ B-9160turbo

KEY	PART NUMBER	QTY	DESCRIPTION	SERIAL NUMBER
1	22-10004	1	Oil Level Switch/ Gauge	-
2	23-71203	1	Bracket	-
3	12-00111	4	Capscrew, Hex Head 1/2- 20 x 3/4"	-
4	15-00102	4	Lock Washer Helical 1/4"	-
5	15-00111	4	Flat Washer 1/4"	-
6	12-09954	2	Capscrew, Hex Head M12 x 1.75 x 35 mm S/S	-
7	21-75401	2	Spacer	-
8	21-71201	1	Male Branch Tee, Steel M14 x 1.5 x 3/8- 37	-
9	18-15003	1	Hose Assembly, 3/8" I.D. x 9"	-
10	21-70011	1	Male Elbow, 90° Steel 1/2 NPT x 3/8- 37T	-
11	21-92200	1	Female Elbow, 90° Brass 1/8 NPT x 1/4- 45T	-
12	15-09805	1	Flat Washer M10 S/S	-
13	21-71045	2	Female Swivel, Brass 1/4 HB x 1/4- 45T Push-on	-
14	41-01011	10"	Hose, 1/4" I.D. Push-on	-
15	21-71043	1	Male Elbow, 90° Brass 1/8 NPT x 1/4- 45T	-
16	00-40016	1	Strain Relief Connection 1/2 NPT	-
17	15-09012	2	Lock Washer, Helical M12 S/S	-

GROUP 9 - ACCESSORIES & OPTIONAL EQUIPMENT

Low Oil Level Switch/ Gauge

M944T3 With PTO

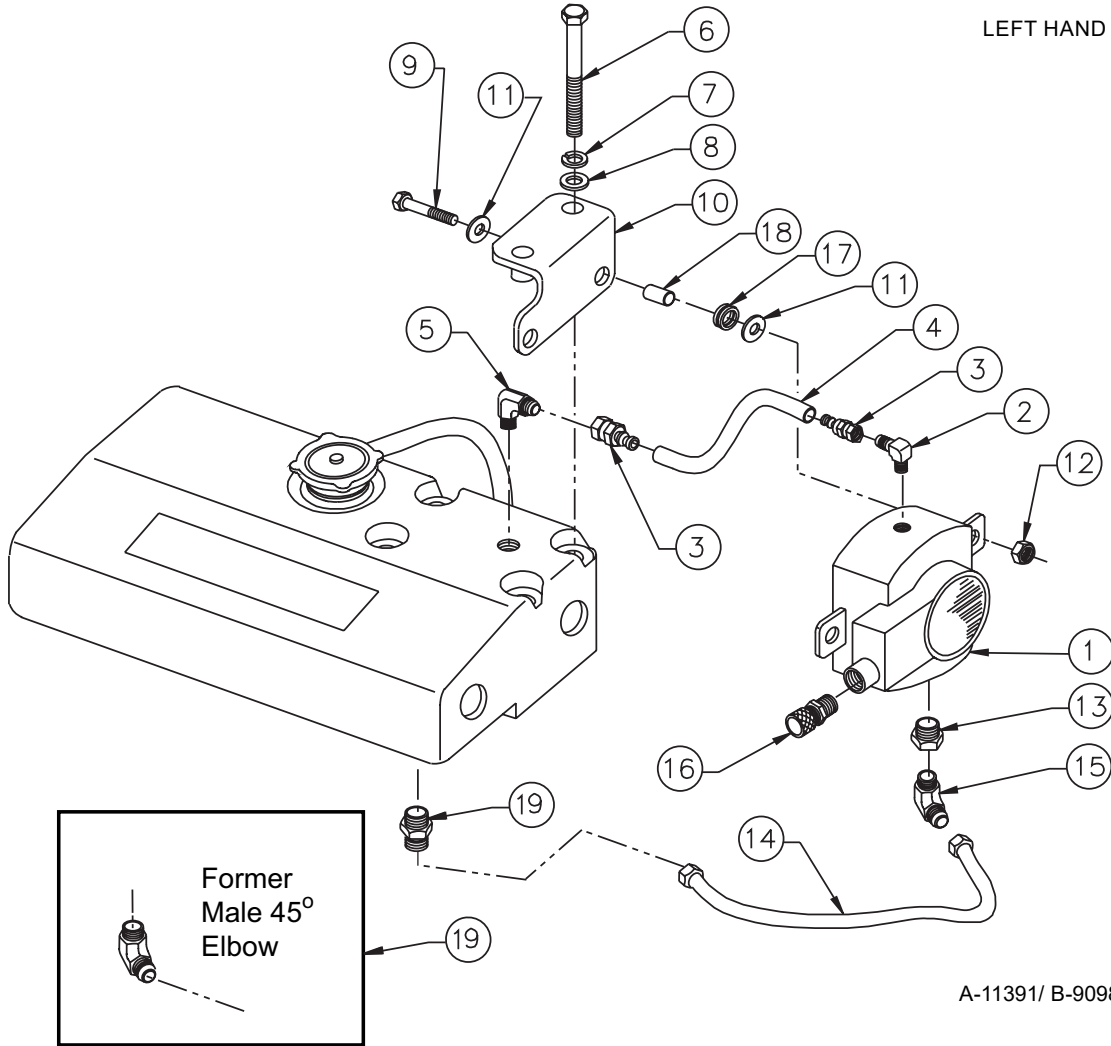


A-12427/ B-9604

KEY	PART NUMBER	QTY	DESCRIPTION	SERIAL NUMBER
1	22-10004	1	Oil Level Switch/ Gauge	-
2	23-71204	1	Bracket	-
3	12-00111	4	Capscrew, Hex Head 1/2- 20 x 3/4"	-
4	15-00102	4	Lock Washer Helical 1/4"	-
5	15-00111	4	Flat Washer 1/4"	-
6	12-00967	2	Capscrew, Hex Head M12 x 1.75 x 80 mm	-
8	21-71201	1	Male Branch Tee, Steel M14 x 1.5 x 3/8- 37	-
9	18-15003	1	Hose Assembly, 3/8" I.D. x 9"	-
10	21-70011	1	Male Elbow, 90° Steel 1/2 NPT x 3/8- 37T	-
11	21-92200	1	Female Elbow, 90° Brass 1/8 NPT x 1/4- 45T	-
12	15-09805	1	Flat Washer M10 S/S	-
13	21-71045	2	Female Swivel, Brass 1/4 HB x 1/4- 45T Push-on	-
14	41-01011	10"	Hose, 1/4" I.D. Push-on	-
15	21-71043	1	Male Elbow, 90° Brass 1/8 NPT x 1/4- 45T	-
16	00-40016	1	Strain Relief Connection 1/2 NPT	-
17	15-09012	2	Lock Washer, Helical M12 S/S	-

Low Coolant Level Switch/ Gauge

LEFT HAND TANK MTG.



A-11391/ B-9098

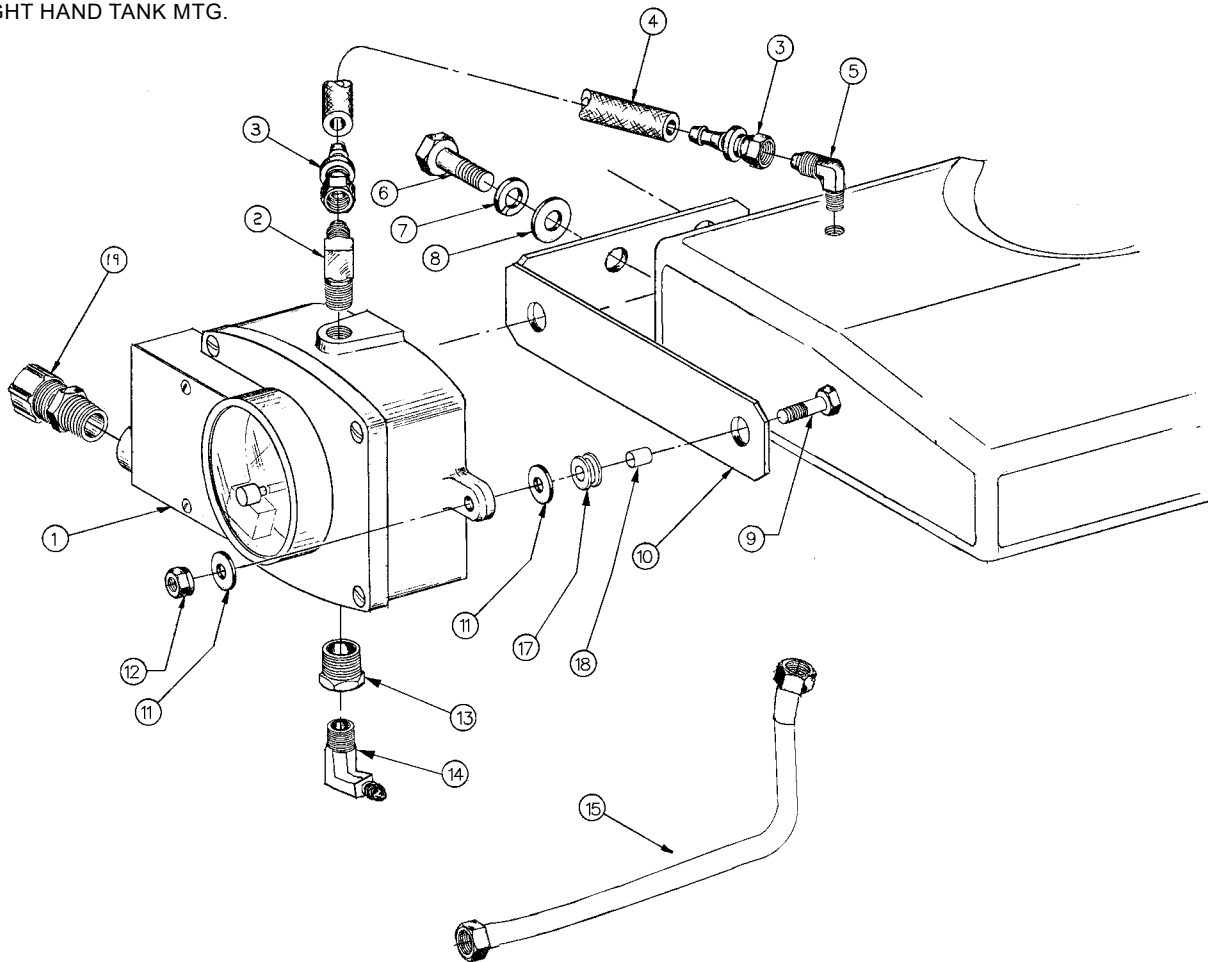
KEY	PART NUMBER	QTY	DESCRIPTION	SERIAL NUMBER
1	22-10003	1	Coolant Level Switch/ Gauge, Isolated Ground	-
2	21-71044	1	Male Elbow 90° Brass 1/4 NPT x 1/4- 45T	-
3	21-71045	2	Female Swivel Brass 1/4 HB x 1/4- 45T	-
4	18-51007	1	Hose, 1/4" I.D. x 8" Push-on	-
5	21-71043	1	Male Elbow 90° Brass 1/8 NPT x 1/4- 45T	-
6	12-00051	2	Capscrew, Hex Head M10 x 1.5 x 90 mm	-
7	15-00802	2	Lock Washer Helical M10"	-
8	15-00805	2	Flat Washer M10	-
9	12-00032	2	Capscrew, Hex Head M6 x 1.0 x 30 mm	-
10	23-71201	1	Bracket	-
11	15-70003	4	Snubbing Washer S/S	-
12	14-04803	2	Hex Nut, Nylock M6 x 1.0	-
13	21-00135	1	Bushing, Brass 1/2 NPT x 1/4 NPT	-
14	18-15001	1	Hose Assembly 1/4" I.D. x 7-3/4" (former # 18-15408) *	-
15	21-71049	1	Male Elbow 90° Steel 1/4 NPT x 1/4- 37T (former # 21-05404) *	-
16	00-40016	1	Strain Relief Connection 1/2 NPT	-
17	00-41074	2	Grommet	-
18	21-15014	2	Spacer	-
19	21-74406	1	Male Connector, Steel 1/4NPT x 1/4-37T (former # 21-50054) *	-

* Former items at keys 14,15 & 19 used together & replaced by currently listed parts to improve assembly

GROUP 9 - ACCESSORIES & OPTIONAL EQUIPMENT

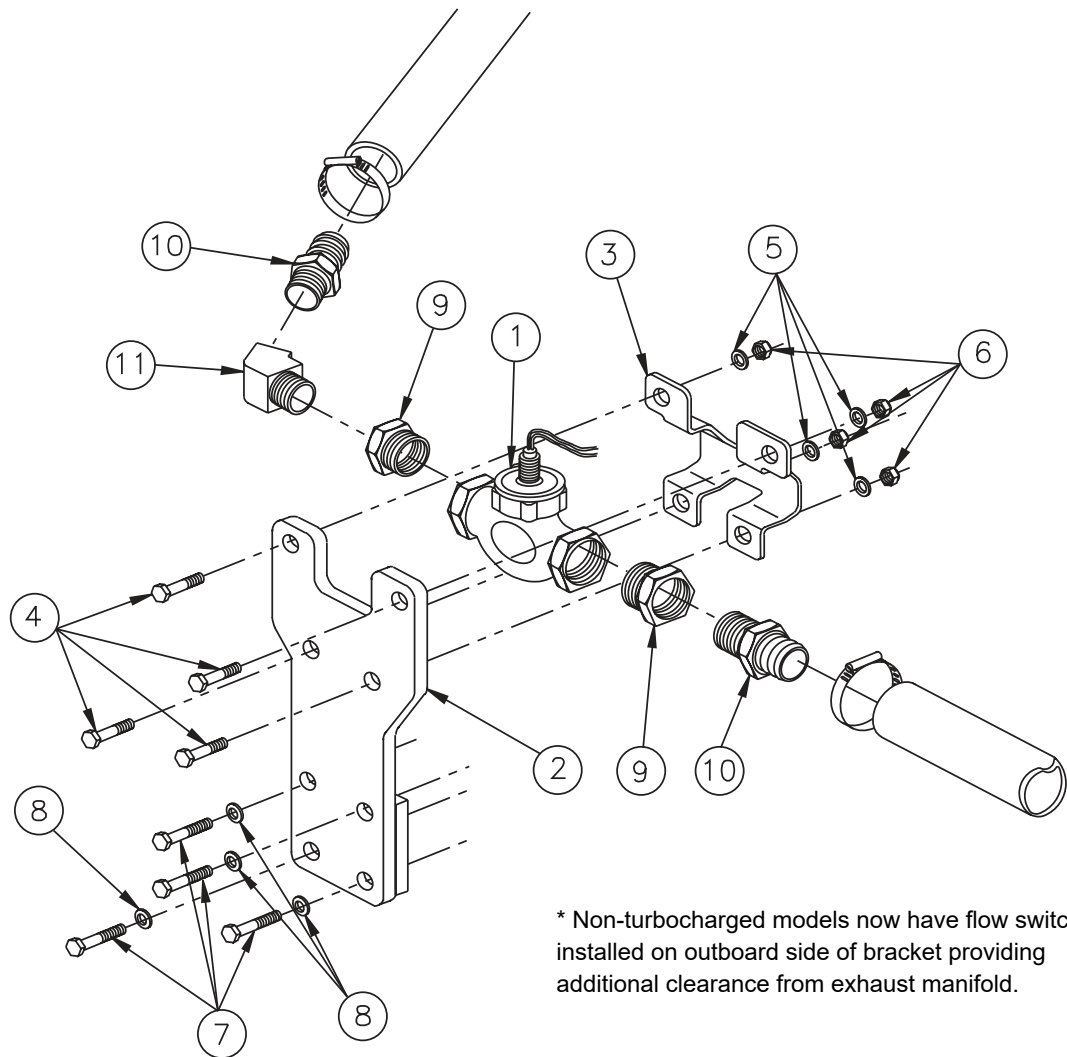
Low Coolant Level Switch/Gauge

RIGHT HAND TANK MTG.



KEY	PART NUMBER	QTY	DESCRIPTION	SERIAL NUMBER
1	22-10003	1	Coolant Level Switch Gauge, Isolated Ground	-
2	21-71044	1	Male Elbow, 90° Brass 1/4 NPT x 1/4-45T	-
3	21-71045	2	Female Swivel, Brass 1/4-45T x 1/4 HB	-
4	18-51007	1	Hose, 1/4" ID x 8" Push-On	-
5	21-71043	1	Male Elbow, 90° Brass 1/8 NPT x 1/4-45T	-
6	12-00311	2	Capscrew, Hex Head 3/8 - 16 x 3/4"	-
7	15-00302	2	Lock Washer, Helical 3/8	-
8	15-00301	2	Flat Washer 3/8	-
9	12-00032	2	Capscrew, Hex Head M6 x 1.0 x 30mm	-
10	23-75409	1	Bracket, Switch Gauge Mounting	-
11	15-70003	4	Snubbing Washer	-
12	14-04803	2	Nylock Hex Nut, M6 x 1.0	-
13	21-00135	1	Bushing, Brass 1/2 NPT x 1/4 NPT	-
14	21-71049	1	Male Elbow, 90° Steel 1/4 NPT x 1/4 - 37T	-
15	18-55404	1	Hose Assembly 1/4" ID x 6-3/4"	-
16	21-74406	1	Male Connector, Steel, 1/4 NPT x 1/4-37T	-
17	00-41074	2	Grommet	-
18	21-15014	2	Sleeve	-
19	00-40016	1	Strain Relief Connection	-

Raw Water Flow Switch



* Non-turbocharged models now have flow switch installed on outboard side of bracket providing additional clearance from exhaust manifold.

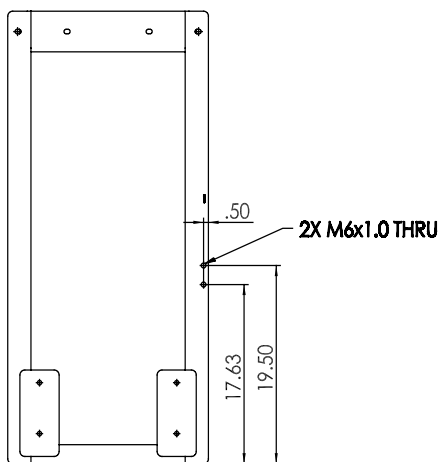
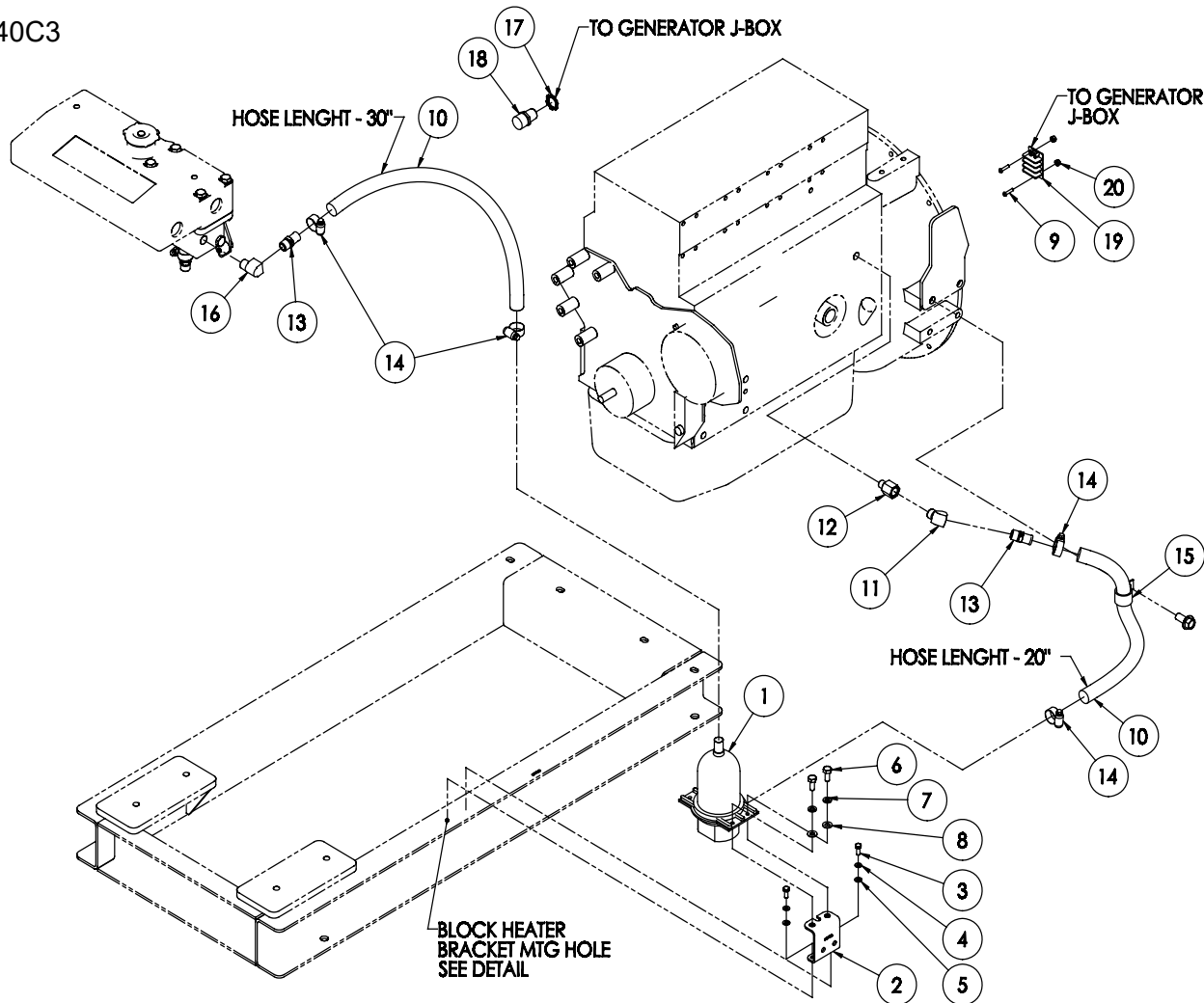
A-11491/ B-9099

KEY	PART NUMBER	QTY	DESCRIPTION	SERIAL NUMBER
1	37-15401	1	Flow Switch, Bronze 8 GPM	-
2	23-11202	1	Bracket	-
3	23-18703	1	Clamp	-
4	12-00712	4	Capscrew, Hex Head M8 x 1.25 x 25 mm	-
5	15-00701	4	Flat Washer M8	-
6	14-04802	4	Hex Nut, Nylock M8 x 1.25	-
7	12-00953	4	Capscrew, Hex Head M12 x 1.75 x 30 mm	-
8	15-00912	4	Lock Washer, Helical M12	-
9	21-41101	2	Bushing	-
10	21-00129	2	Male Connector, Brass 1/2 NPT x 3/4 HB	-
11	21-00128	1	Street Elbow 45° Brass 1/2 NPT	-

GROUP 9 - ACCESSORIES & OPTIONAL EQUIPMENT

Block Heater, Tank Type 1000 Watt with Thermostat

M40C3



**BLOCK HEATER
BRACKET MTG HOLES
SCALE: 1:8**

C-7239

Block Heater, Tank Type 1000 Watt with Thermostat

M40C3

KEY	PART NUMBER	QTY	DESCRIPTION	SERIAL NUMBER
1	20-41201	1	Block Heater 1000 Watt / 120 VAC with thermostat	-
	20-41202	1	Block Heater 1000 Watt / 240 VAC with thermostat	-
2	23-09503	1	Bracket	-
3	12-01102	2	Capscrew, Hex Head M6 x 1.0 X 16mm S/S (316) DIN	-
4	15-00610	2	Lock Washer, Helical M6 S/S (316) DIN	-
5	15-01134	2	Flat Washer M6 S/S (316) DIN	-
6	12-00776	2	Capscrew, Hex Head M8 X 1.25 x 20mm S/S (316) DIN	-
7	15-00705	2	Lock Washer, Helical M8 S/S	-
8	15-00706	2	Flat Washer M8 S/S (316)	-
9	12-00005	2	MSCR, PH Phillips #8 - 32 x 3/4" S/S	-
10	41-01025	50	Hose 5/8" ID 1- Ply Silicone	-
11	21-10064	1	Street Elbow 45, Brass, 3/8 NPT	-
12	21-00041	1	Female Connector, Steel 3/8 NPT x 1/4 NPT	-
13	21-17304	2	Male Connector, Brass, 3/8 NPT x 5/8HB (Beaded Barb)	-
14	19-01008	4	Hose Clamp #8 Extended Band S/S (316)	-
15	19-71029	1	Adelle Clamp	-
16	21-51097	1	Street Elbox 90, Brass, 3/8 NPT	-
17	14-00507	1	Conduit Locknut, Steel 1/2 NPT	-
18	00-40016	1	Strain Relief Connector	-
19	22-75005	1	Terminal Strip 3-Connection 20A 600VAC #12-22 AWG	-
20	14-00003	2	Hex Nut, Nylock #8-32 S/S (18-8)	-



NORTHERN LIGHTS
www.northern-lights.com

4420 14th Ave. NW., Seattle WA 98107

Tel: (206) 789-3880 • 1-800-762-0165 • Fax: (206) 782-5455

Northern Lights and Lugger are registered trademarks of Northern Lights, Inc.

© 2016 All rights reserved. Litho USA.