



MODEL 7171 FULL FOLLOW UP CONTROL LEVER

The Model 7171 Full Follow-Up Control Lever is designed for a Full Follow-Up Rudder Control system. It is intended to be used in the hydraulic power system for positioning the rudder proportionate to lever movement. A feedback unit is required on the rudder stock with an electronic interface to make this system functional.

On many request by our customers to provide a jog lever that is spring returned to mid-position with double micro-switches (2 per side), the 7171 unit is capable of providing with these features.

The 7171 Control Lever is available with many options. It is equipped to carry 2 potentiometers, 2 trim pots and 2 micro-switches, with a neutral detent, and the lever will stay in a given position.

Made in bronze and stainless steel, it will offer many years of outdoor service on a ship or boat.

ORDERING INFORMATION

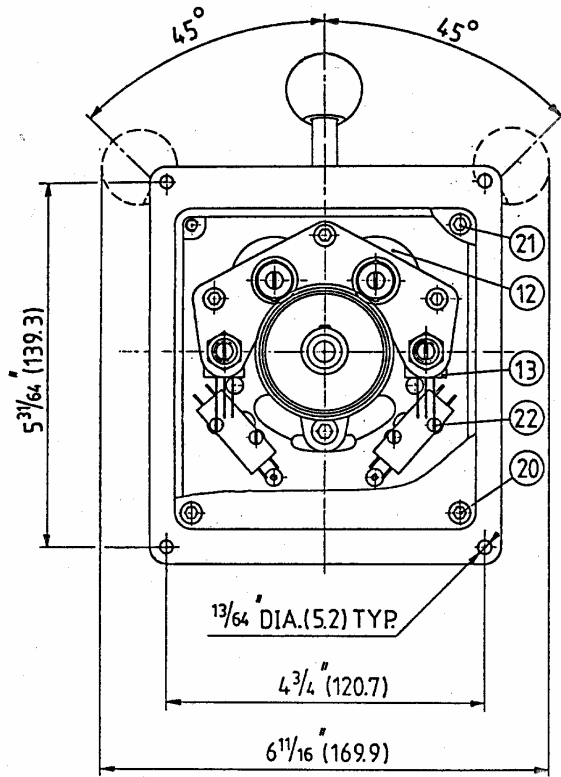
- A 2 switches & 1 potentiometer
- B 2 switches & 2 potentiometers
- G 4 switches
- P 1 potentiometer (1K)

Ohms rating for potentiometer must be specified when ordering.

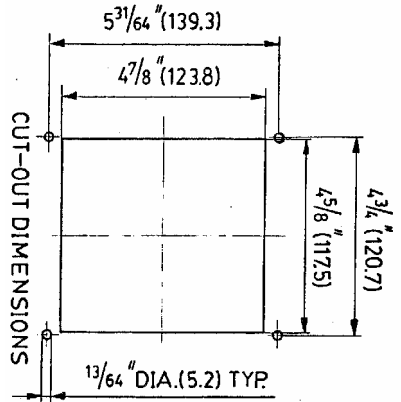
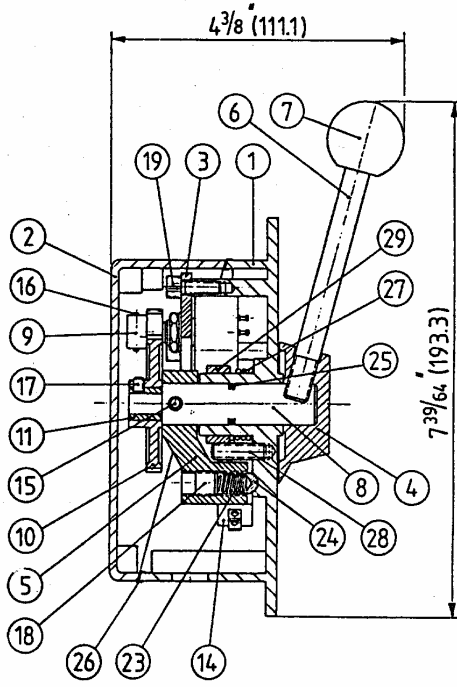
A trim pot will be supplied with each potentiometer.

Approx. weight: 5 lb. (2.2 kg)

DIMENSIONS AND PARTS LIST MODEL 7171



ITEM	QTY	PART NUMBER	DESCRIPTION
1	1	7171-0001	Housing
2	1	7171-0002	Cover
3	1	7171-0003	Plate
4	1	7171-0004	Hub
5	1	7171-0005	Cam
6	1	7171-0006	Lever
7	1	2030-0001	Knob
8	1	7171-0008	Shaft
9	1	7171-0009	Gear
10	1	7171-0010	Gear
11	1	7171-0011	Bushing
12	1-2	POT-1	Potentiometer 1K
13	1-2	6002-4003	Trim pot
14	2-4	6001-0104	Micro switch
15	1	1024-0818	Spring Pin
16	1	1024-0408	Spring Pin
17	1	1016-0602	Socket Set Screw
18	1	1016-1204	Socket Set Screw
19	3	1002-0806	Socket Head Cap Screw
20	2	1002-0808	Socket Head Cap Screw
21	2	1002-0832	Socket Head Cap Screw
22	4*	1006-0310	Pan Head Cap Screw
22	*	1004-0420	Round Head Cap Screw
23	1	1201-0003	Spring
24	1	2012-0007	Detent Pin
25	1	1101-0014	"O" Ring
26	1	7171-0026	Seal
27	1	1203-0010	Spring
28	1	7171-0028	Spring Stop Pin
29	1	7171-0029	Spacer



All dimensions in inches (mm)