

5025-A

AIR APPLIED CALIPER DISC BRAKE

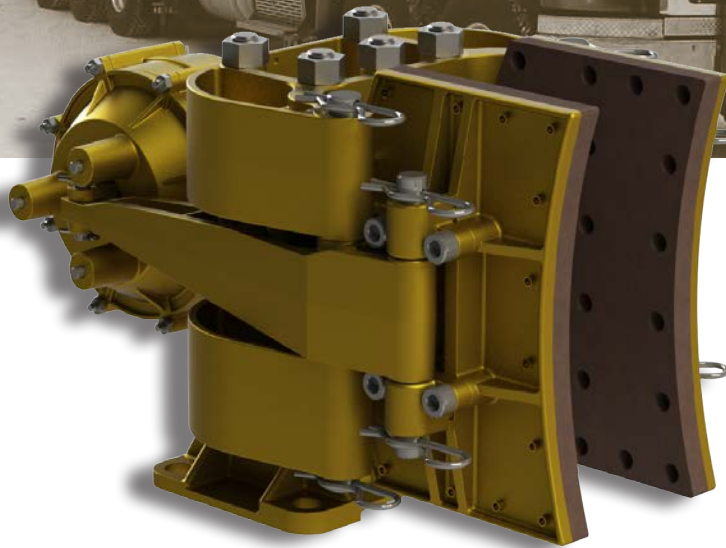


KEY BENEFITS

Bronze & stainless steel construction

Easily changed brake pads

Well matched to Kobelt's standard range of 4" x 7" ventilated discs



Putting you in control.

For over three decades, Kobelt has been manufacturing air applied disc brakes using a double diaphragm design for accurate braking control. Constructed of bronze and stainless steel, Kobelt's disc brakes are built to last in the harshest conditions.

Available with several options, these caliper disc brakes are well suited for service braking applications on uncoilers, work boats and more.

SPECIFICATIONS

PART NO.	NORMAL FORCE	ACTUATOR VOLUME
5025-A	7330 lbs [32.6 KN]	30 in ³ [491 cc]
5025-A30	10,720 lbs [47.7 KN]	49 in ³ [803 cc]

Maximum Pressure: 100 psi [6.9 bar]

Port Size: ¼ NPT

Temperature Range: -40°F...+131°F
-40°C...+55°C

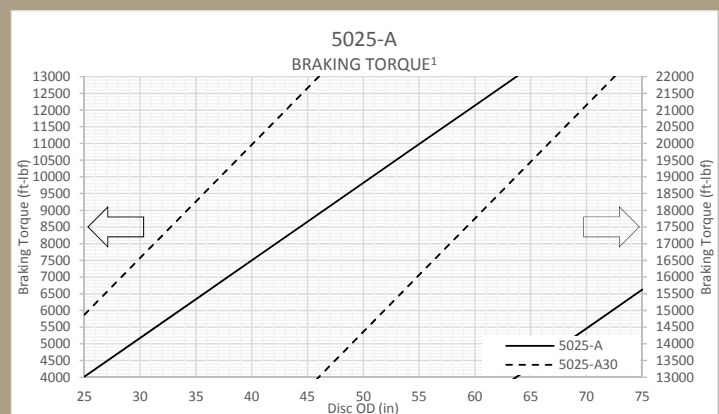
Disc Thickness: 4 in [102 mm]

Minimum Disc Diameter: 25 in [635 mm]

Maximum Disc Diameter²: 86 in [2184 mm]

Pad Life: 3600 hp-hr [2685 kw-hr]

Weight: 123 lbs [55.8 kg]

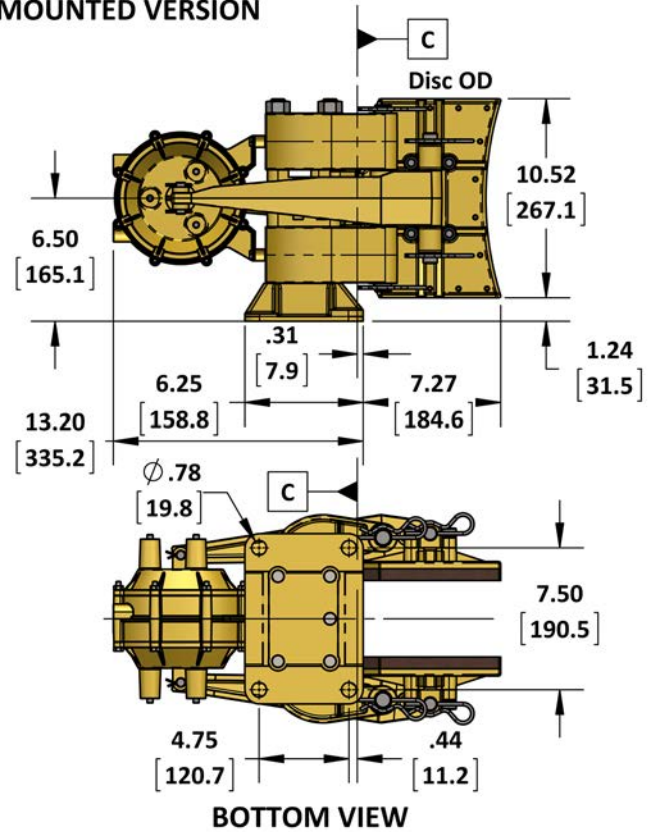
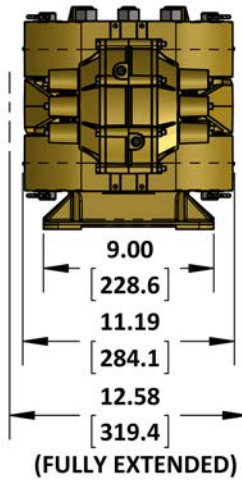


¹ Values in this chart are theoretical and for reference only. They are based on properly bedded and burnished linings acting on a ductile iron rotor at 20°C and manufactured to required specifications.

² Requires a minimum 7.48 in [190 mm] wide face.

SPECIFICATIONS

FOOT MOUNTED VERSION



Brake Model Code Key

5025-A [] - [] - [] - []

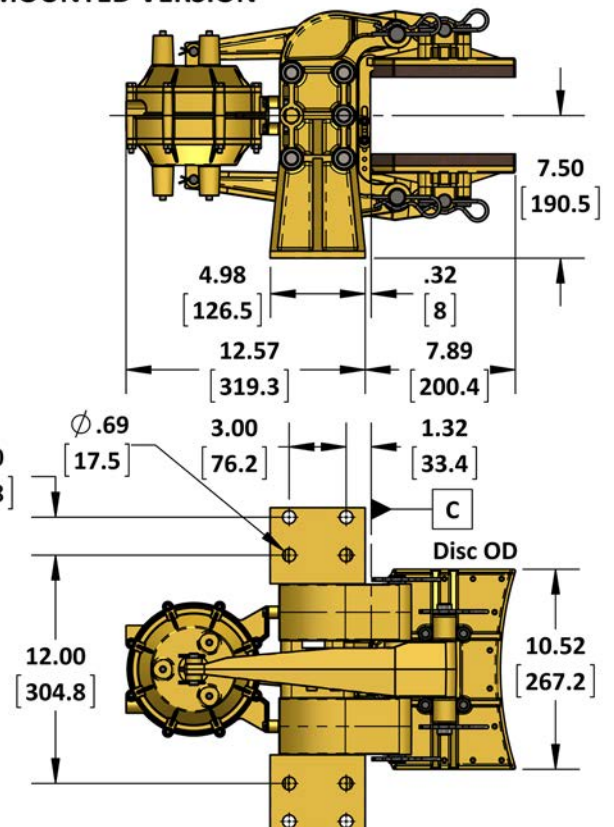
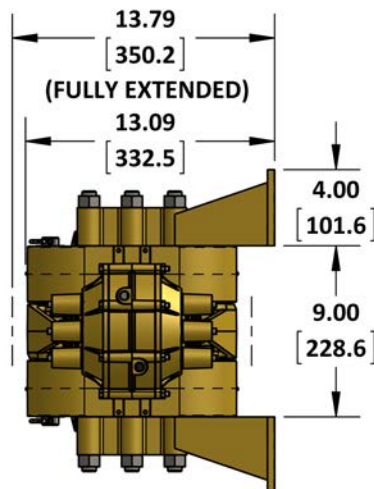
Friction material
(blank) = standard
N = non-sparking
C = low COF (.12-.15)
E = mid COF (.25-.28)

Disc thickness
(blank) = 4.000 in
350 = 3.500 in
300 = 3.000 in
250 = 2.500 in
200 = 2.000 in

Mounting code
(blank) = foot mounted
W = side mounted

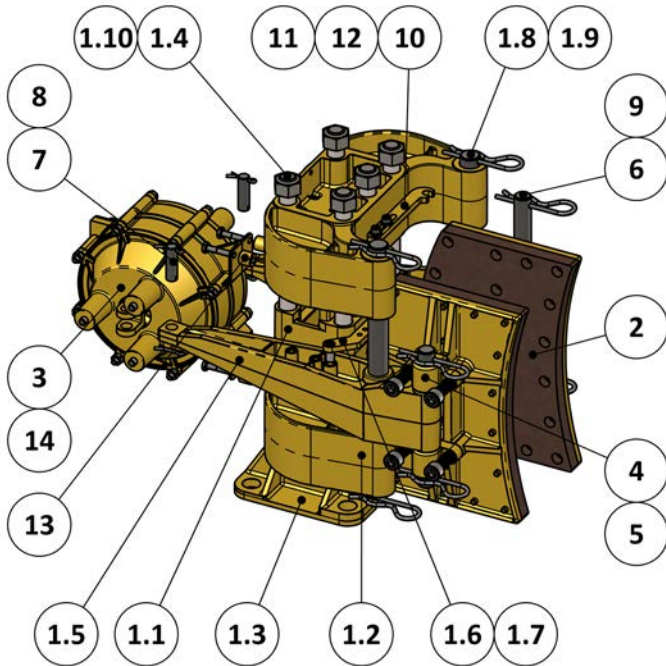
Actuator code
(blank) = 20 sq.in.
30 = 30 sq.in.

SIDE MOUNTED VERSION

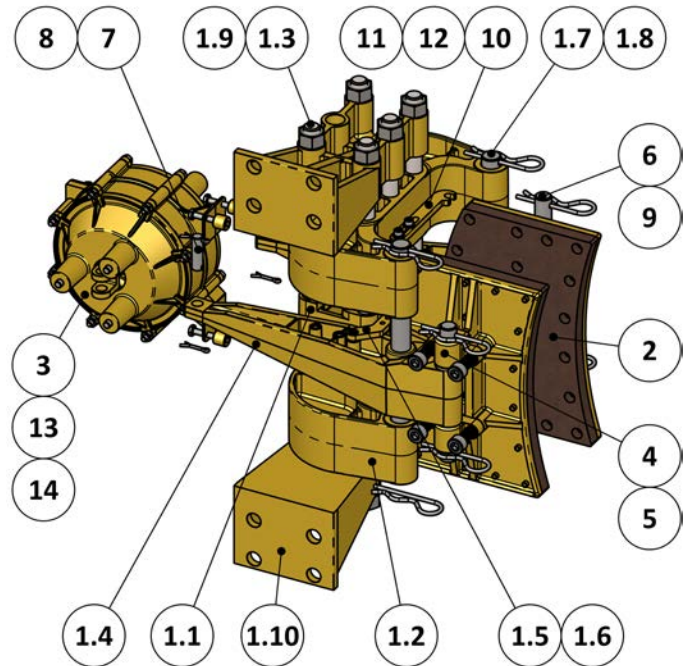


PARTS LISTING

5025-A Caliper Brake



5025-AW Caliper Brake

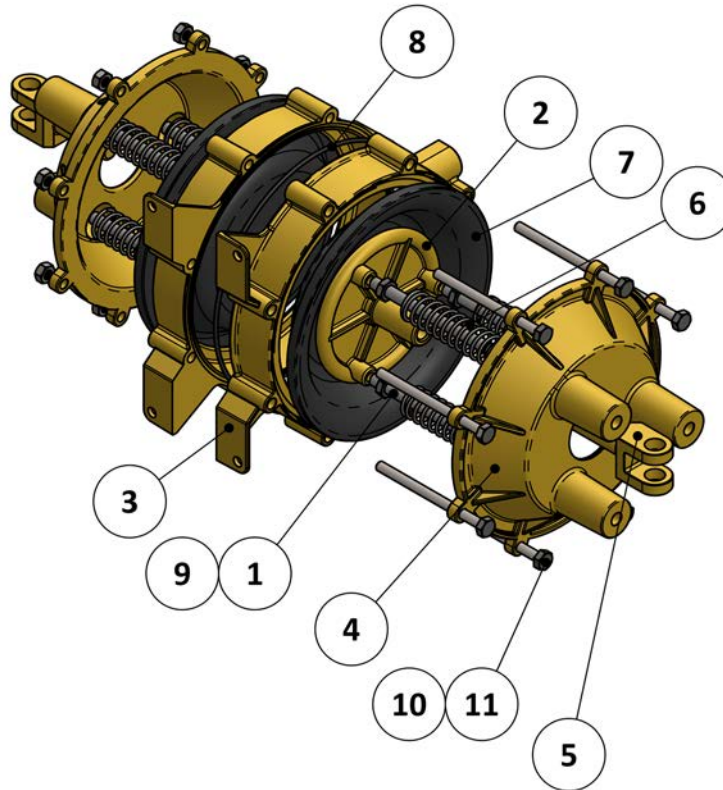


ITEM	QTY.	PART NUMBER	5025-A DESCRIPTION
1	1	5025-SUB-A	SUB-ASSEMBLY, 5025 CALIPER
1.1	1	5026-0003	SPACER, 5025 CALIPER
1.2	2	5026-0002	SADDLE, 5025/5026 CALIPERS
1.3	1	5025-0001	FOOT, 5025/26 CALIPERS
1.4	5	5024-0023	TIE ROD, 5024/25 CALIPERS
1.5	2	5024-0004	LEVER, 5024 CALIPER
1.6	2	5025-0011	BALANCING LINK, PIVOT END, 5026 CALIPER
1.7	2	5024-0026	LINK PIN, 5024 - 5026 CALIPERS
1.8	2	5024-0022	SADDLE PIN, 5024/25 CALIPERS
1.9	4	1039-0352	HITCH PIN, 5/16 X4, STEEL
1.10	5	1022-0117	NUT, HEX, 3/4-10 UNC, Gr 18-8
2	2	5025-LS	SHOE ASSEMBLY, 5025 CALIPER
3	1	6120	AIR APPLIED ACTUATOR, 6120
4	4	5024-0006	PIVOT BLOCK, 5024 CALIPER
5	8	1002-1420	SCREW, SKT HD, 1/2-13 UNC X 1-1/4, SS
6	2	5024-0021	SHOE PIN, 5024/25 CALIPERS
7	2	6230-0010	CLEVIS PIN, 1/2" DIA
8	4	1026-0516	COTTER PIN, 1/8" X 1", SS
9	4	1039-0352	HITCH PIN, 5/16 X4, STEEL
10	2	5025-0012	BALANCING LINK, FORK END, 5026 CALIPER
11	4	1023-0232	WASHER, FLAT, TYPE B NARROW, 1/4 in
12	4	1002-1010	SHCS, 1/4-20 UNC X 5/8 LG, 18-8 SS
13	4	6130-0008	SPACER, 6130 ACTUATOR
14	4	1001-1020	SCREW, HEX HD, 1/4-20 X 1-1/4

ITEM	QTY.	PART NUMBER	5025-AW DESCRIPTION
1	1	5025-SUB-AW	SUB-ASSEMBLY, 5025 CALIPER
1.1	1	5026-0003	SPACER, 5025 CALIPER
1.2	2	5026-0002	SADDLE, 5025/5026 CALIPERS
1.3	5	5025-0023-W	TIE ROD, SIDEWALL MOUNT, 5025 CALIPER
1.4	2	5024-0004	LEVER, 5024 CALIPER
1.5	2	5025-0011	BALANCING LINK, PIVOT END, 5026 CALIPER
1.6	2	5024-0026	LINK PIN, 5024 - 5026 CALIPERS
1.7	2	5024-0022	SADDLE PIN, 5024/25 CALIPERS
1.8	4	1039-0352	HITCH PIN, 5/16 X4, STEEL
1.9	10	1022-0117	NUT, HEX, 3/4-10 UNC, Gr 18-8
1.10	2	5026-0060	FOOT (SIDEWALL MOUNT), 5026 CALIPER
2	2	5025-LS	SHOE ASSEMBLY, 5025 CALIPER
3	1	6120	AIR APPLIED ACTUATOR, 6120
4	4	5024-0006	PIVOT BLOCK, 5024 CALIPER
5	8	1002-1420	SCREW, SKT HD, 1/2-13 UNC X 1-1/4, SS
6	2	5024-0021	SHOE PIN, 5024/25 CALIPERS
7	2	6230-0010	CLEVIS PIN, 1/2" DIA
8	4	1026-0516	COTTER PIN, 1/8" X 1", SS
9	4	1039-0352	HITCH PIN, 5/16 X4, STEEL
10	2	5025-0012	BALANCING LINK, FORK END, 5026 CALIPER
11	4	1023-0232	WASHER, FLAT, TYPE B NARROW, 1/4 in
12	4	1002-1010	SHCS, 1/4-20 UNC X 5/8 LG, 18-8 SS
13	4	6130-0008	SPACER, 6130 ACTUATOR
14	4	1001-1020	SCREW, HEX HD, 1/4-20 X 1-1/4

PARTS LISTING

6120 Actuator



ITEM	QTY.	PART NUMBER	6120 DESCRIPTION
1	6	6120-0005	GUIDE PIN, 6120 ACTUATOR
2	2	6120-0004	DIAPHRAGM WASHER, 6120 ACTUATOR
3	2	6120-0003	CENTRE HOUSING, 6120 ACTUATOR
4	2	6120-0002	END CAP, 6120 ACTUATOR
5	2	6120-0001	CLEVIS, 6120 ACTUATOR
6	6	1201-0185	SPRING, COMPRESSION, .830 OD X .080 WIRE X 4.43 L
7	2	1105-0020	DIAPHRAGM, NO. 20 SIZE
8	1	1101-2166	O-RING, 6-3/4 ID X 3/32 THK, NBR70
9	6	1022-0211	NUT, JAM, 5/16"-18 UNC, SS
10	8	1022-0110	NUT, HEX, 1/4-20 UNC, SS
11	8	1001-1056	BOLT, HX HD, 1/4-20 UNC X 3.5", SS

Note: Parts lists are applicable to standard models only.