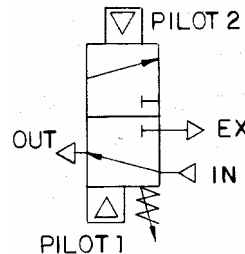


MODEL 3328 NORMALLY OPEN ADJUSTABLE DIFFERENTIAL AIR PILOT RELAY VALVE ¼" NPT

DESCRIPTION

The 3328 is a poppet-type normally open adjustable relay valve. The diaphragm spring forces the valve stem down, which keeps the poppet open. This allows air to flow from the source of supply directly to the device actuated. When air pressure enters pilot port number two, it will overcome the diaphragm spring force and close the valve. In this position, the source of air supply is cut off and the accumulated air in the OUT line is vented to exhaust. A second pilot signal can be used in pilot port number one. This will assist the spring to counteract pilot signal number two, and again open the source of supply to the

device actuated. The dual pilot arrangement lends itself extremely well in complex interlocking circuitry. Various springs are available to give the desired operating characteristics.



Schematic Symbol

SPECIFICATIONS

Weight: 2.9 lbs (1.3 kg)

Materials: Die cast silicon bronze and stainless steel hardware

Maximum Supply Pressure: 200 psi (13.8 bar)

Maximum Pilot Pressure: 140 psi (9.7 bar)

Operating Temperature Range: -40°C to +90°C

Pipe Port Size: ¼" NPT

ORDERING INFORMATION

Model Designation Code:

- A – Standard inlet cap
- B – With flow control inlet cap
- C – Heavy spring, 40-120 psi range
- D – Light spring, 25-60 psi range
- DD – Extra light spring, 10-20 psi range
- E – Left hand model
- F – Right hand model (as shown in picture)

The standard Model 3328 Relay Valve is supplied as follows:

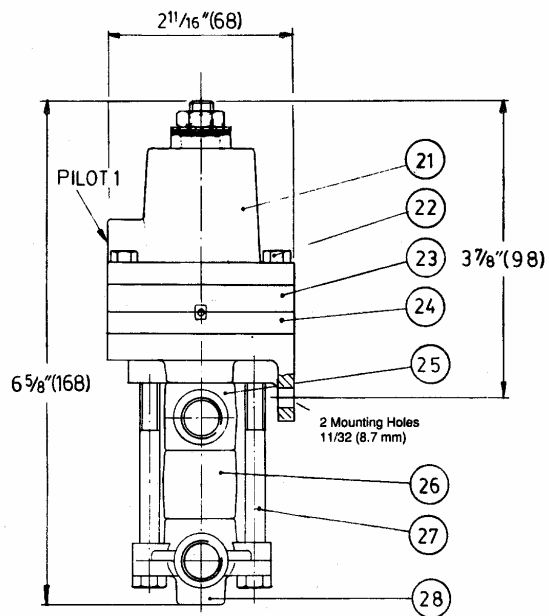
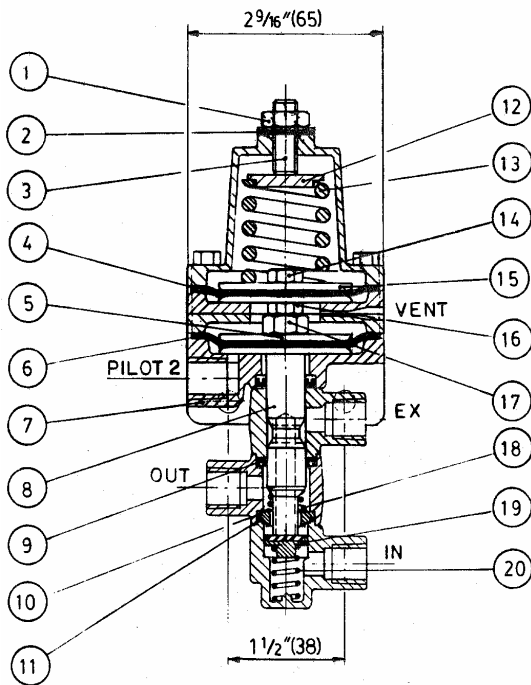
- Standard inlet cap
- Heavy spring
- Left or right hand model (to specify)

To order, state model number followed by desired designation code.

Example: 3328-ACE for standard left hand valve.

Repair kit 3328-RK is available for seal repair.

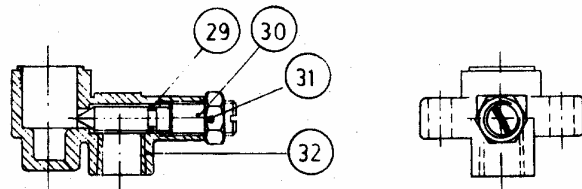
DIMENSIONS AND PARTS LIST MODEL 3328



ITEM	QTY.	PART No.	DESCRIPTION
1	1	1022-0211	Jam Nut
2	1	1023-0511	Sealing Washer
3	1	1016-1120	Setscrew
4	1	1105-2002	Diaphragm
5	2	3325-0007	Washer
6	1	1105-2001	Diaphragm
7	1	3325-0013	Pilot Port 2 (R.H.)
7	1	3325-0002	Pilot Port 2 (L.H.)
8	1	3327-0002	Spool
9	2	1102-0005	"U" Cup
10	1	3804-0003	Seat
11	1	1101-0016	"O" Ring
12	1	3325-0001	Retainer
*13	1	1201-0010	Spring 25-60 PSI
*13	1	1201-0050	Spring 10-20 PSI
13	1	1201-0012	Spring 40-120 PSI
14	1	1001-1008	Capscrew
15	2	3326-0006	Washer
16	1	1022-0210	Nut
17	1	1022-0262	Jam Nut
18	1	1201-0016	Spring
19	1	3804-0004	Poppet
20	1	1201-0009	Spring
21	1	3325-0005	End Cap
22	4	1001-1020	Capscrew
23	1	3327-0003	Spacer
24	1	3327-0001	Spacer
25	1	3325-0008	Exhaust Port
26	1	3325-0009	Outlet Port
27	2	1001-1044	Hex. Hd. Screw
28	1	3325-0010	Inlet Port
*29	1	1101-0008	"O" Ring
*30	1	3325-0011	Needle
*31	1	1022-0262	Jam Nut
*32	1	3325-0012	Inlet Cap

* Optional

All Dimensions in inches (mm)



ALTERNATIVE INLET CAP WITH FLOW CONTROL

❖ Alternative inlet cap with flow control (item 32) can be used to replace item 28.