



NEDERLANDS	5
ENGLISH	11
DEUTSCH	17
FRANÇAIS	23
ESPAÑOL	29
ITALIANO	35
DANSK	41
SVENSKA	47
NORSK	53
SUOMEKSI	59

Bedieningshandleiding en
installatieinstructies

Operation manual and installation
instructions

Bedienungshandbuch und Einbauanleitung

Manuel d'utilisation et instructions
d'installation

Manual de manejo y instrucciones de
instalación

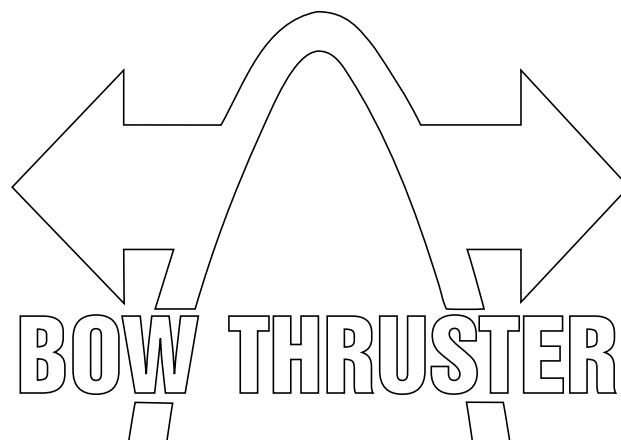
Manuale per l'uso e istruzioni per
l'installazione

Betjeningsvejledning og installations-
instruktioner

Bruksanvisning och
monteringsinstruktioner

Bruksanvisning og
installasjonsinstrukser

Käyttö- ja asennusohje



BOW7512C - BOW7524C

75 kgf - ø 185 mm

Inhoud

1	Inleiding	5
2	Veiligheid	5
3	Gebruik	5
4	Inbouw	6
4.1	Vorbereiding	6
4.2	Montage staartstuk en tussenflens	6
4.3	Eindmontage	7
5	Elektrische installatie	8
6	Onderhoud	9
7	Storingen	10
8	Technische gegevens	10
9	Hoofdafmetingen	65
10	Elektrisch schema	66
10.1	Gelijktijdige bediening van 2 boegschroeven met 1 paneel	68
11	Accucapaciteit, accukabels	69

Sommaire

1	Introduction	23
2	Sécurité	23
3	Emploi	23
4	Installation	24
4.1	Préparatifs	24
4.2	Montage de l'embase et de la bride intermédiaire	24
4.3	Montage final	25
5	Installation électrique	26
6	Entretien	27
7	Pannes	28
8	Renseignements techniques	28
9	Dimensions principales	65
10	Circuit électrique	66
10.1	Commande simultanée de 2 hélices d'étrave avec 1 panneau	68
11	Capacité de la batterie, câbles de batterie	69

Content

1	Introduction	11
2	Safety	11
3	Use	11
4	Installation	12
4.1	Preparation	12
4.2	Installation tailpiece and intermediate flange	12
4.3	Final assembly	13
5	Electrical installation	14
6	Maintenance	15
7	Trouble shooting	16
8	Technical data	16
9	Principal dimensions	65
10	Wiring diagram	66
10.1	Simultaneous operation of two bow thrusters with one panel	68
11	Battery capacity, battery cables	69

Índice

1	Introducción	29
2	Seguridad	29
3	Uso	29
4	Incorporación	30
4.1	Preparativos	30
4.2	Instalación de la parte posterior y la brida intermedia	30
4.3	Montaje final	31
5	Instalación eléctrica	32
6	Mantenimiento	33
7	Fallos	34
8	Especificaciones técnicas	34
9	Dimensiones principales	65
10	Esquema eléctrico	66
10.1	Manejo simultáneo de 2 tornillos de retención con 1 panel	68
11	Capacidad de las baterías, cables de baterías	69

Inhalt

1	Einleitung	17
2	Sicherheitsbestimmungen	17
3	Gebrauch	17
4	Einbau	18
4.1	Vorbereitung	18
4.2	Befestigung des Unterwasser- teils und des Zwischenflansches	18
4.3	Endmontage	19
5	Elektrische Installation	20
6	Wartung	21
7	Störungen	22
8	Technische daten	22
9	Hauptabmessungen	65
10	Schaltschema	66
10.1	Gleichzeitige Bedienung von zwei Bugschrauben mit einem Armaturen Brett	68
11	Akkukapazität, Akkukabel	69

Indice

1	Introduzione	35
2	Sicurezza	35
3	Funzionamento	35
4	Installazione	36
4.1	Operazioni preliminari	36
4.2	Montaggio del piedino e della flangia intermedia	36
4.3	Assemblaggio finale	37
5	Collegamento elettrico	38
6	Manutenzione	39
7	Guasti	40
8	Dati tecnici	40
9	Dimensioni principali	65
10	Schema elettrico	66
10.1	Comando contemporaneo di 2 eliche di prua mediante 1 solo pannello	68
11	Capacità della batteria e cavi della batteria	69

Indhold

1	Indledning	41
2	Sikkerhed	41
3	Brug	41
4	Indbygning	42
4.1	Forberedelse	42
4.2	Montering af endestykke og mellemflange	42
4.3	Slutmontering	43
5	Elektrisk installation	44
6	Vedligeholdelse	45
7	Driftsfejl	46
8	Tekniske specifikationer	46
9	Mål	65
10	Elektrisk skema	66
10.1	Samtidig betjening af 2 bogpropeller med 1 betjeningspanel	68
11	Batteriets kapacitet, batterikabler	69

Innehåll

1	Inledning	47
2	Säkerhet	47
3	Användning	47
4	Montering	48
4.1	Förberedelser	48
4.2	Montering av växelhus och mellanfläns	48
4.3	Slutmontering	49
5	Elektrisk anslutning	50
6	Underhåll	51
7	Felsökning	52
8	Tekniska uppgifter	52
9	Huvudmått	65
10	Kopplingschema	66
10.1	Samtidig manövrering av 2 bogpropellrar med 1 panel	68
11	Batterikapacitet, batterikablar	69

Innhold

1	Innledning	53
2	Sikkerhet	53
3	Bruk	53
4	Innbygging	54
4.1	Forberedelser	54
4.2	Montering av halestykke og mellomflens	54
4.3	Sluttmontasje	55
5	Elektrisk installasjon	56
6	Vedlikehold	57
7	Feil	58
8	Tekniske data	58
9	Viktigste mål	65
10	Elektrisk skjema	66
10.1	Samtidig betjening av 2 baugpropeller med 1 panel	68
11	Batterikapacitet, batterikabler	69

Sisältö

1	Esipuhe	59
2	Turvallisuus	59
3	Käyttö	59
4	Asennus	60
4.1	Esivalmistelu	60
4.2	Kulmavaihteiston ja moottori-laipan asennus	60
4.3	Lopullinen asennus	61
5	Sähköasennukset	62
6	Huolto	63
7	Vian etsintä	64
8	Tekniset tiedot	64
9	Päämitat	65
10	Sähkökaavio	66
10.1	Kahden keukapotkurin ohjaus samanaikaisesti yhdellä pane-lilla	68
11	Akkukapasiteetti, akkukaapelit	69

Boormal

Drill pattern

Bohrschablone

Gabarit

Plantilla de perforación

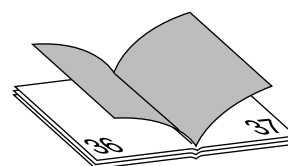
Sagoma di trapana natura

Skabelon

Borrjigg

Boresjablon

Poraussabluuna



1 Introduction

These installation instructions give guidelines for fitting the Vetus bow thrusters 'BOW7512C' and 'BOW7524C'.

The quality of installation will determine how reliably the bow thruster performs. Almost all faults can be traced back to errors or imprecision during installation. It is therefore imperative that the steps given in the installation instructions are followed in full during the installation process and checked afterwards.

The thrust given by the bow thruster will vary from vessel to vessel depending on the effect of the wind, the water displacement and the shape of the underwater hull.

- The nominal thrust quoted can only be achieved under the most favourable conditions:
- During the installation process the '**Installation recommendations for bow thrusters**', must be followed, specifically concerning:
 - Sufficiently large diameter of the battery cables so that voltage drop is reduced to a minimum.
 - The manner in which the tunnel has been connected to the hull.
 - Use of bars in the tunnel openings.
These bars should only be used where this is strictly necessary (if sailing regularly in severely polluted water.)
 - The bars must have been fitted correctly.

Following the above recommendations will result in longer life and better performance of your bow thruster.

- Carry out the recommended maintenance regularly.
- Never allow the bow thruster to operate for a long period; the maximum length of usage is restricted because of heat release in the electric motor. After use the motor must be allowed to cool off.



NOTE

The maximum continuous length of usage and the thrust as specified in the technical details are based on the recommended battery capacities and battery cables.

If significantly larger batteries in combination with very short battery cables of significantly larger diameter than recommended are used then the thrust will increase. In such cases the maximum length of usage must be reduced in order to prevent damage to the motor.

2 Safety



WARNING!

When using the bow thruster watch out for swimmers or light boats which could be in the near vicinity of the bow thruster tunnel jet openings.

Pass on the safety instructions to others using the bow thruster.

General rules and laws with regard to safety and accident-prevention also need to be applied.

- Never touch the moving ends of the bow thruster whilst in operation.
- Never touch hot parts of the bow thruster and never place flammable materials in the vicinity of the bow thruster.
- Always stop the bow thruster before checking components or adjusting the bow thruster.
- Always detach the battery poles during maintenance work.
- Ensure maintenance work is safe by only using tools suitable for the purpose.
- Always deactivate the main switch when the bow thruster is not in use for long periods.

3 Use

- Switch on the main switch.
- Consult the handbook supplied with the control panels for instructions on using the bow thruster.

Never switch in one movement from starboard to portside or reverse, but wait until the propeller stands still, before giving it a command to operate the electric motor in the opposite direction.



CARE!

If 2 control panels are installed never operate the bow thruster from both panels simultaneously.

- Switch off the main switch when leaving the ship.



Make sure that the user of the vessel is supplied with the owner's manual.

4 Installation

In order to install the tunnel, consult 'Installation recommendations for bow thrusters', Vetus art. code 020571.01.

For overall dimensions see drawing, page 65.

NOTE

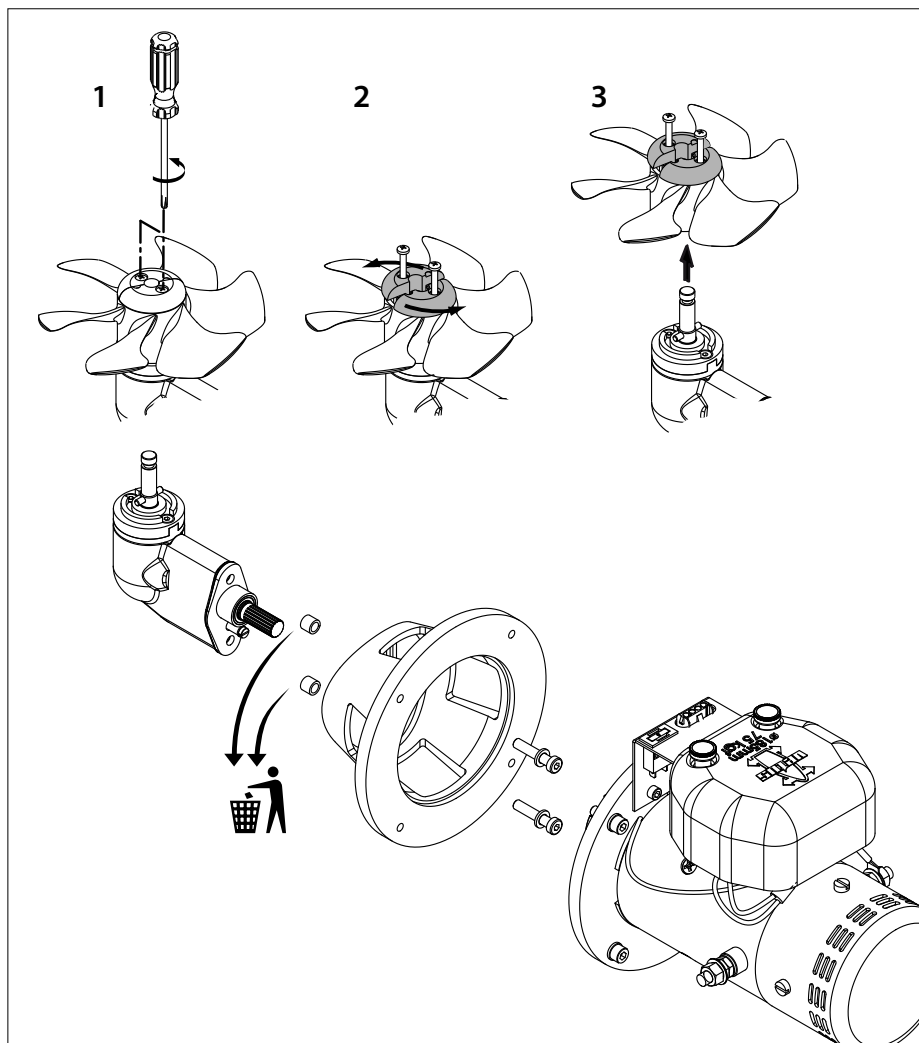
The areas in which the electric motor of the bow thruster and the battery are positioned must be dry and well ventilated.

4.1 Preparation

The bow thruster will be delivered fully assembled. Perform the following steps:

- Remove the propeller.
- Remove the motor from the intermediate flange.
- Remove the intermediate flange from the tail piece.

The 2 bushes are only required for transport and are now no longer needed.

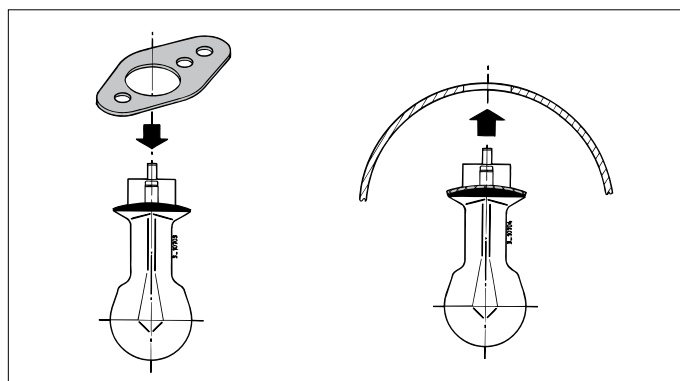


4.2 Installation tailpiece and intermediate flange

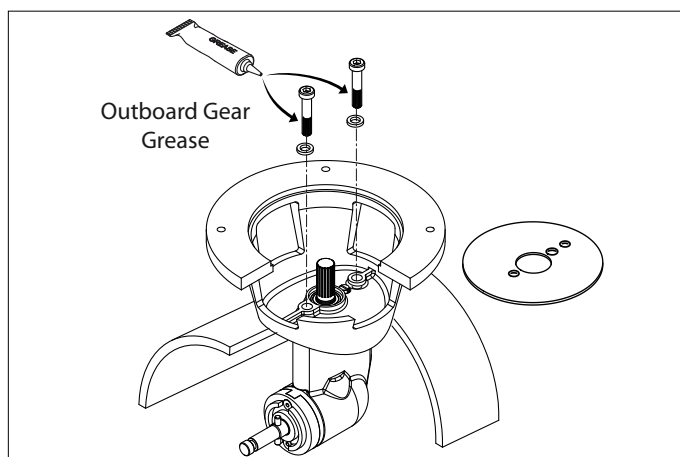
- Place one packing between the tail piece and the tunnel. Apply a sealant (e.g. polyurethane or silicone) between the tail piece and packing, and between the packing and the tunnel wall. Place the tail piece in the hole in the tunnel.

Any extra packings used should be ones capable of justifying the tail piece.

*) e.g. Sikaflex®-292.



- Grease the hole of the intermediate flange and position this flange.
- Grease the threads of the bolts with 'outboard gear grease' before inserting and tightening them.

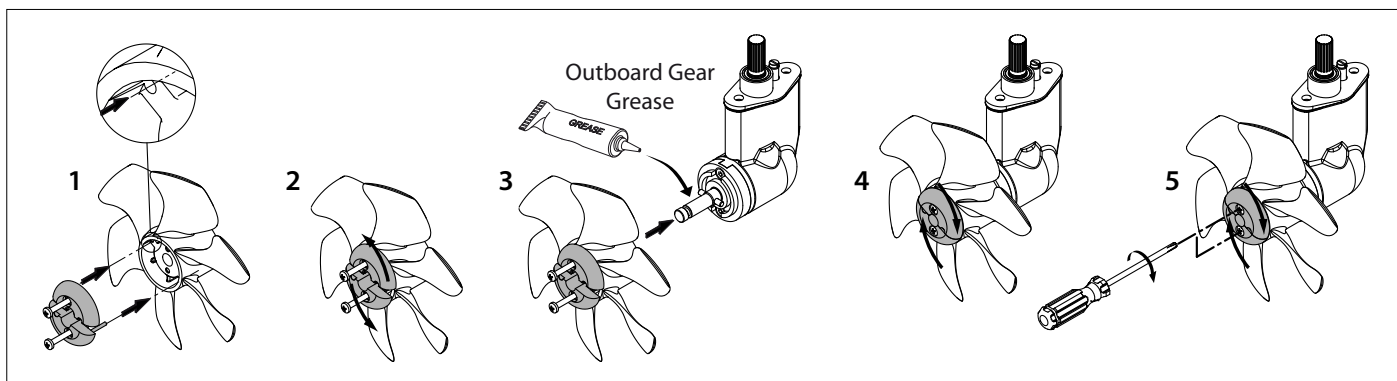


NOTE

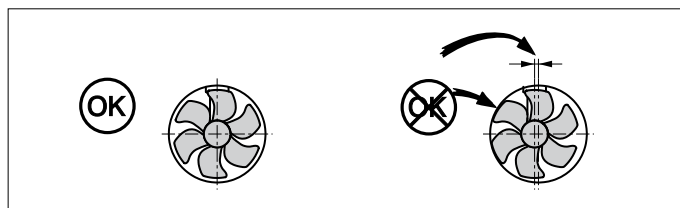
Check for possible leaks immediately the ship returns to water.

4.3 Final assembly

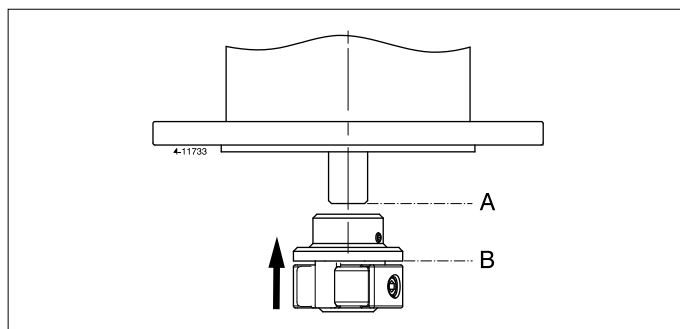
- Grease the propeller shaft with 'outboard gear grease' and install the propeller.



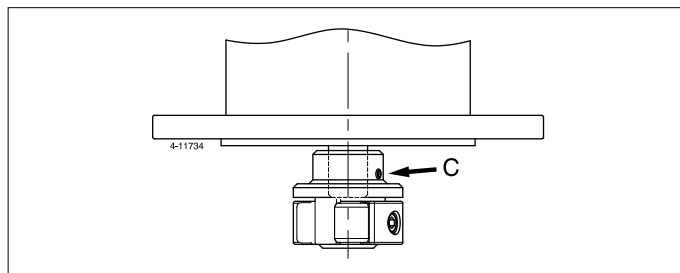
The propeller should run a minimum of 1.5 mm (1/16") free of the thrust tube wall, all round.



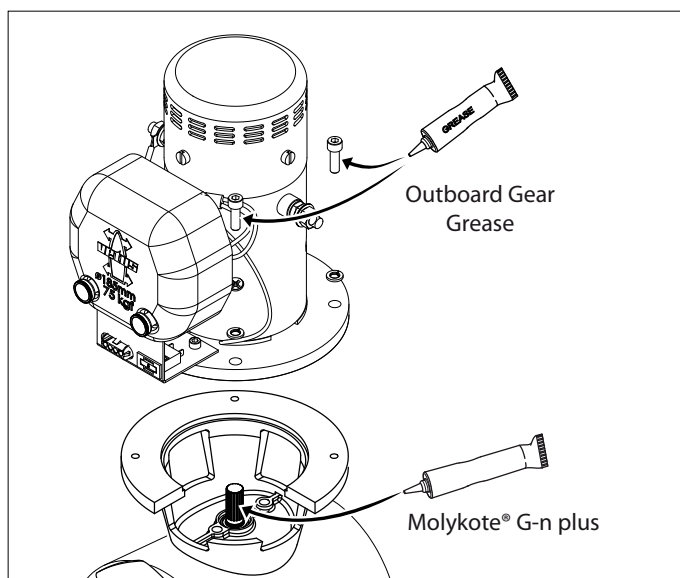
- Slide the flexible coupling onto the output spindle of the electric motor as far as necessary to allow the end of the output spindle (A) and the underside of the flange (B) to become aligned.



- Tighten the lock-screw (C).



- Grease the input shaft with an installation compound, like 'Molykote® G-n plus'.
- Grease the threads of the fastenings bolts with 'outboard gear grease' and install the electric motor to the intermediate flange.
- For a first check, turn the propeller by hand, it should turn easily, whilst being connected to the output spindle of the electric motor.



5 Electrical installation

Consult the chapter 'Electrical Management' in 'Installation recommendations for bow thrusters', Vetus art. code 020571.01.

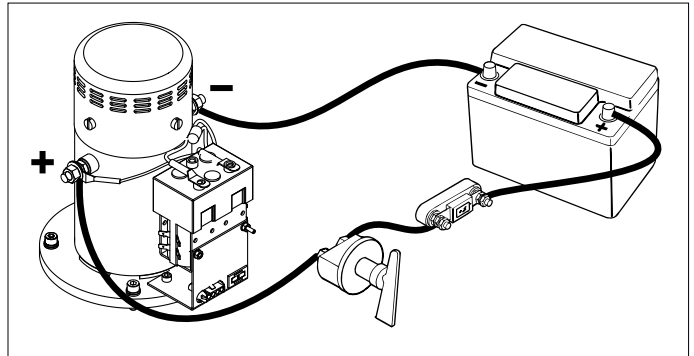
Check that the voltage, recorded on the motor type plate, is in agreement with the vessel's circuit voltage. Position the battery or batteries as close as possible to the bow thruster; the main power supply cables can then be short, which reduces the voltage drop as much as possible.

See page 69 for the applicable battery capacity, the size of main power supply cables and fuse to use.

- Connect the main power supply cables.

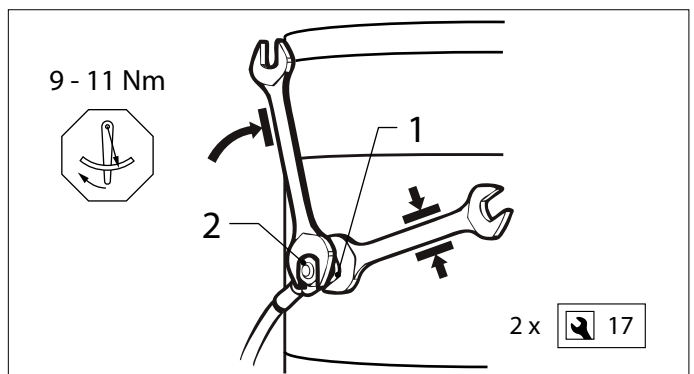
Make sure that no other electrical parts come loose when connecting the electric cables.

Check all electrical connections after 14 days. Electrical parts (such as bolts and nuts) may come loose as a result of fluctuations in temperature.



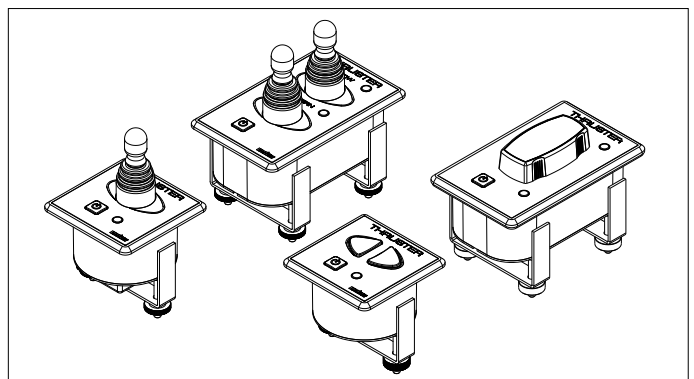
NOTE

Be careful not to rotate the bolt and nut 1 while connecting the cables. To prevent this happening, keep an open-ended spanner on nut 1 while screwing on bolt 2, without rotating this spanner. The torque for nut 2 is 9 - 11 Nm (6.5 - 8 ft.lbf).



- Fit the control panel next to the steering position. There must be at least 50 mm (2") space behind the panel.

If 2 bow thrusters have to be operated simultaneously, for example on a catamaran, consult the diagram on page 68.

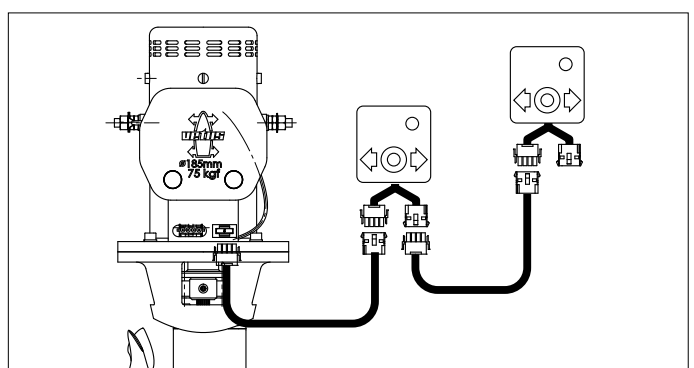


- Fit the control cable between the bow thruster and the control panel through the vessel and connect the jack connections together.

If it is necessary to cut the intermediate cable and reconnect it take care to ensure the correct colours are connected together.

N.B: The colours of the wire cores in the intermediate cable may differ from the wire core colours as used on the bow thruster motor and on the control panel!

If there are two steering positions, the second control panel can be connected to the first one.

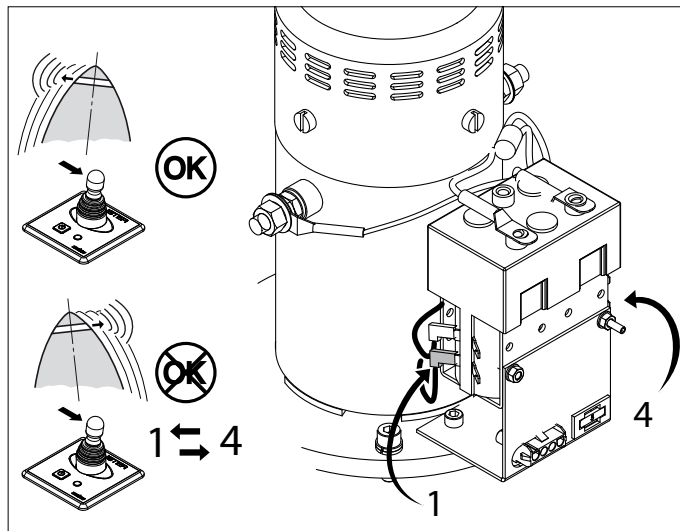


If it is found during test running that the thrust direction does not correspond with the direction switch on the control panel then the blue (no. 1) and the white (no. 4) wires on the relay must be interchanged.



WARNING!

Do NOT test the bow thruster while the ship is out of water, unless you are certain that everyone is at a safe distance from the thrust tube.
Never allow the bow thruster to run for longer than 5 seconds with the ship out of water.



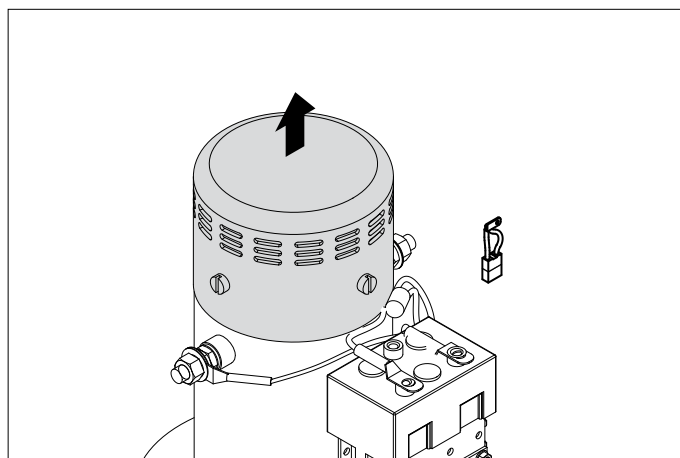
6 Maintenance

Check the carbon brushes for wear - in normal use once per year - with very intensive use of the bow thruster, e.g. with hire vessels, once every two months.

- Remove the Protective cover from the relay and then the Protective cover to the brushes.
- Clean the carbon brushes, the holders and the collector. (Blow away the dust coming off the brushes.)
- Check the length of the carbon brushes and replace before the minimum length (L min) is reached. Also check the collector for excessive wear.

For minimum length and art. code, see page 70.

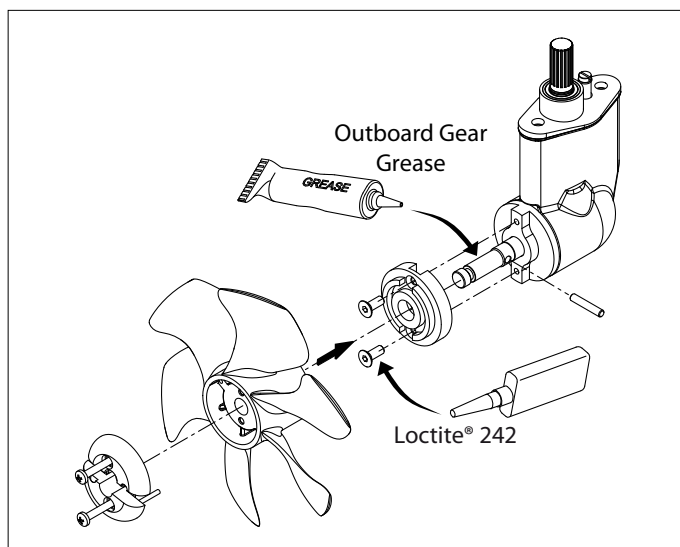
- The brushes can be taken out of the holders by releasing the retaining spring.



The bow thruster tailpiece has long-term lubrication.

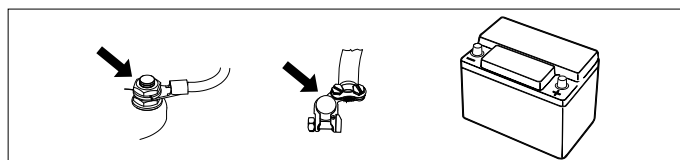
The following maintenance should be carried out during a slipway service:

- Check the cathodic Protection and if necessary renew the zinc anode.
For the art. code for the zinc anode, see page 70.
- Provide the bolts with a screwlock (Loctite®).
- Clean the propeller shaft, grease with 'outboard gear grease' and refit the propeller on the shaft.



Check all electrical connections at least once annually.

The instructions of the manufacturer should be followed for the maintenance of the batteries. Vetus batteries are maintenance free.



7 Trouble shooting

Electric motor does not operate

- Check that the battery main switch is 'ON'.
- Check whether the control panel fuse has burnt out. ^[1]
- Check if the main fuse has burnt out. ^[2]

In all the above cases, the 'POWER' indicator LED is not lit.

- The electric motor has overheated and its thermal Protection has broken the circuit of the control current.

The panel gives a warning signal three times (. . .) and the LED will glow red.

As soon as the motor has cooled down enough, the LED will resume glowing green and the bow thruster can be put back in service.

Check if it is possible to turn the propeller. A piece of wood or similar could have been caught between the propeller and the tunnel.

Electric motor turns slowly

- The battery is flat.
- Bad electrical connection(s) due to e.g. corrosion.
- The carbon brushes are not making proper contact.
- The battery capacity is reduced because of very low temperatures.
- Weed or fishing line has become caught in the propeller.

Control panel fuse is burnt out ^[1]

- Short circuit in the operating circuit; check the wiring.

Electric motor turns (too) fast but there is no thrust

- The blades of the propeller have been damaged by a foreign object having entered the propeller or tunnel.
- The drive pin on the propeller shaft has been broken by a foreign object having entered the propeller or tunnel.

Replace the drive pin and check the propeller flange for any damage.

8 Technical data

Type	: BOW7512C	BOW7524C
Electric motor		
Type	reversible DC motor	
Voltage	12 V DC	24 V DC
Current	550 A ^[3]	315 A ^[4]
Rated output	4.4 kW	
No. of revolutions	2900 rpm	
Rating	S2 - 2 min. ^[3]	S2 - 3 min. ^[4]
Protection	IP20	
Motors conform to CE (80/336/EEC, EMC - EN60945)		
Transmission		
Gears	Bevel gear helical teeth	
Gear ratio	1.3 : 1	
Lubrication	oilbath, approx. 0.06 litre (2 fl.oz.) outboard gear oil SAE80W or EP 90	
Housing	bronze	
Propeller		
Diameter	178 mm (7")	
No. of blades	6	
Profile	asymmetrical	
Material	polyacetal (Delrin [®])	
Rated thrust	800 N (80 kgf, 180 lbf)	850 N (85 kgf, 191 lbf)
Control circuit		
Fuse	5 A	
Current solenoid switch	2.8 A	1.4 A
Control circuit wires	1.5 mm ² (14 AWG)	
Extension cable	6, 10, 16, 18 or 20 m (20', 33', 52', 59', or 65')	
Thrust-tunnel		
Steel model		
dimensions	O.D. 194 mm, wall thickness 5.6 mm	
treatment	blasted, coated with: SikaCor Steel Protect. Suitable for all kinds of protection systems.	
Plastic model		
dimensions	I.D. 185 mm, wall thickness 5 mm	
material	glass fibre reinforced polyester	
Aluminium model		
dimensions	I.D. 185 mm, wall thickness 5,5 mm	
material	aluminium, 6061 or 6062 (AlMg1SiCu)	
Weight		
Excl. thrust-tunnel	26 kg (57 lbs)	

Length of usage:

^[3] 2 min. continuously or max. 2 min. per hour at 550 A (12 Volt).

^[4] 3 min. continuously or max. 3 min. per hour at 315 A (24 Volt).

^[1] The control current fuse is in the bow thruster motor.

^[2] See table on page 69

9 Hoofdafmetingen

Principal dimensions

Hauptabmessungen

Dimensions principales

Dimensiones principales

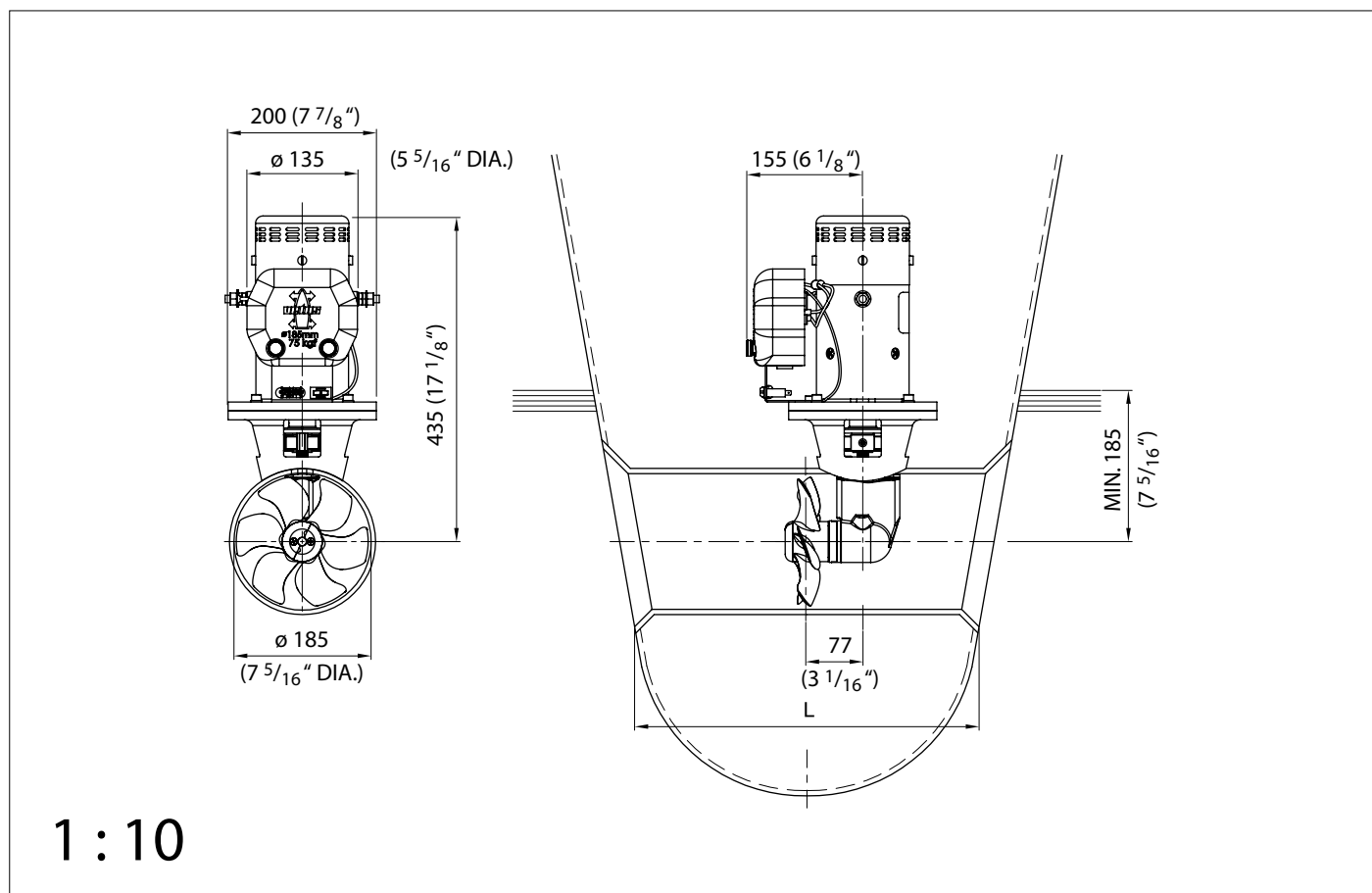
Dimensioni principali

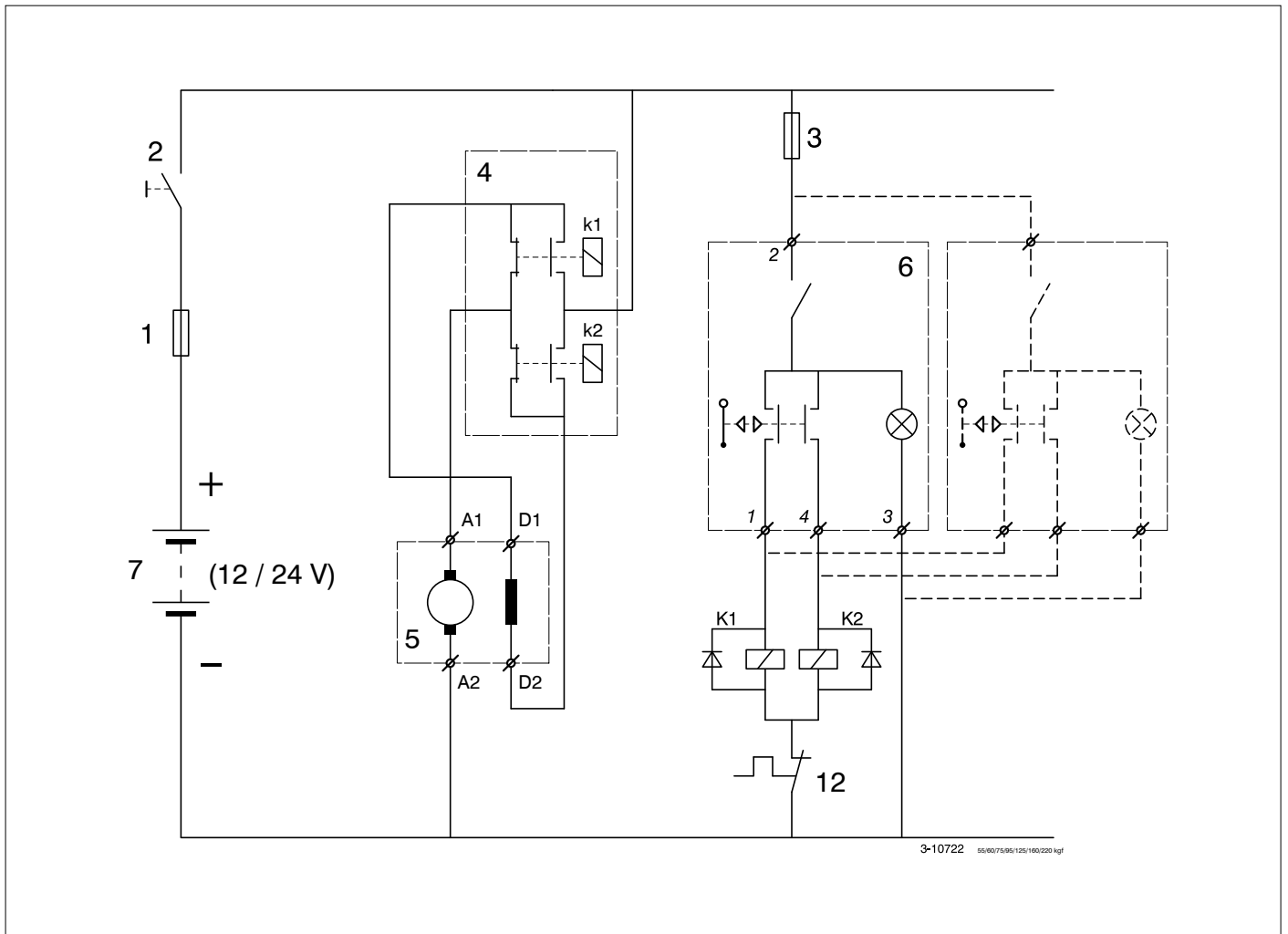
Mål

Huvudmått

Viktigste mål

Päämitat





1	Hoofdzekering	Main fuse	Hauptsicherung	Fusible principal	Fusible principal
2	Hoofdschakelaar	Main switch	Hauptschalter	Interrupteur principal	Interruptor principal
3	Stuurstroomzekering	Control current fuse	Steuerstromsicherung	Fusible courant de commande	Fusible de circuito de control
4	Magneetschakelaar	Solenoid switch	Relais	Contacteur solénoïde	Interruptor de solenoide
5	Elektromotor	Electromotor	Elektromotor	Moteur électrique	Electromotor
6	Bedieningspaneel	Control panel	Bedienungspaneel	Panneau de commande	Tablero de mandos
7	Accu	Battery	Batterie	Batterie	Batería
8	Steker	Plug	Stecker	Prise mâle	Clavija macho
9	Contrasteker	Socket	Kontrastecker	Prise femelle	Clavija hembra
10	Verlengkabel	Extension cable	Zwischenkabel	Câble de branchement	Cable prolongador
11	Dynamo	Alternator	Lichtmaschine	Générateur	Generador
12	Thermische beveiliging	Thermal Protection	Thermosicherung	Sécurité thermique	Dispositivo térmico de seguridad

	Kleurcode bedrading:	Wiring colour code:	Farbcode für die Bedrahtung:	Code de couleur des câbles:	Código de color de los cables:
1	Blauw	Blue	Blau	Bleu	Azul
2	Rood (+)	Red (+)	Rot (+)	Rouge (+)	Rojo (+)
3	Zwart (-)	Black (-)	Schwarz (-)	Noir (-)	Negro (-)
4	Wit	White	Weiß	Blanc	Blanco

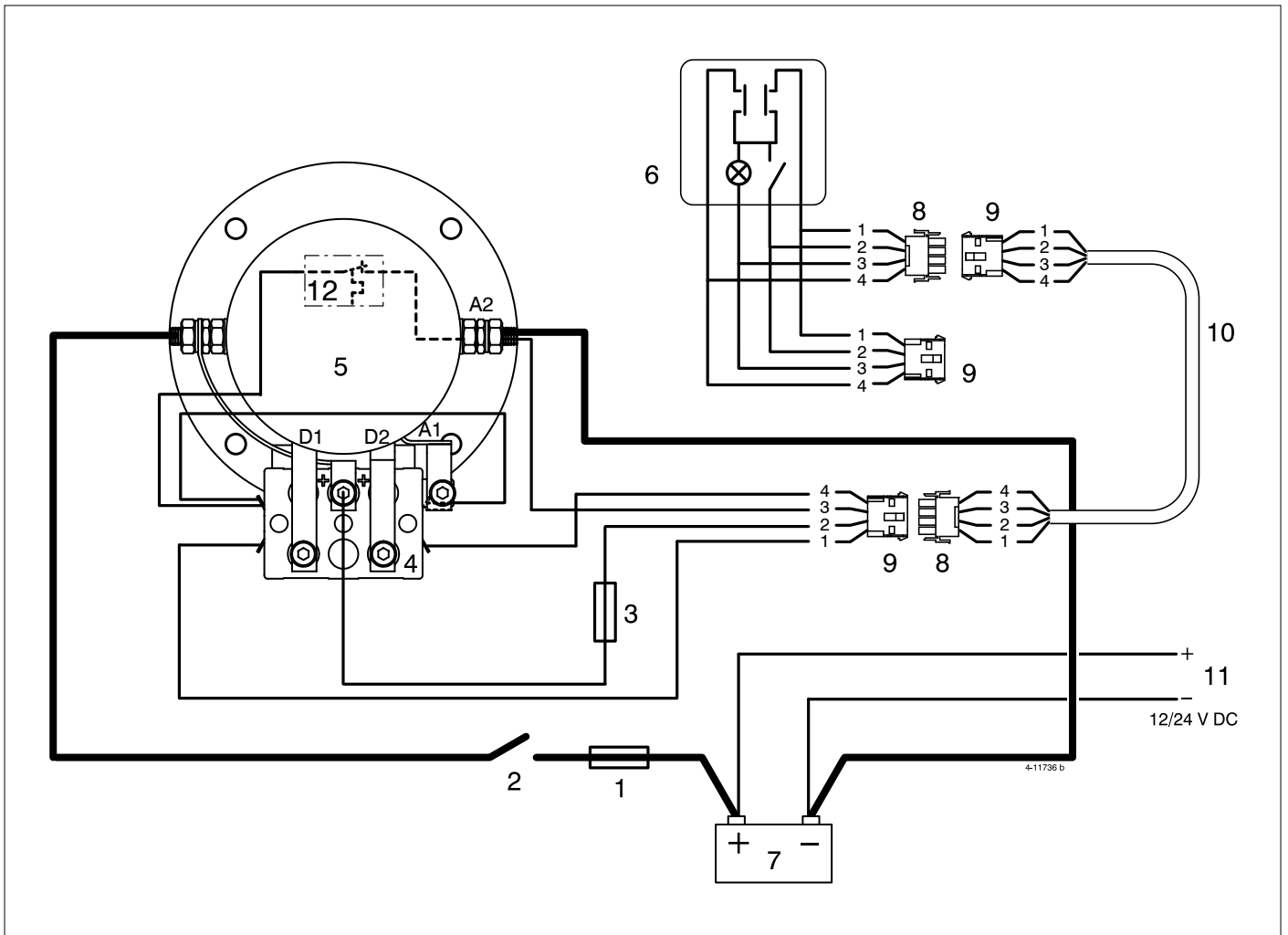
Schema elettrico

Kopplingschema

Sähkökaavio

Elektrisk skema

Elektrisk skjema



1	Fusibile principale	Hovedsikring	Huvudsäkring	Hovedsikring	Päävirtasulake
2	Interruttore principale	Hovedafbryder	Huvudströmbrytare	Hovedbryter	Päävirtytkin
3	Fusibile del circuito di comando	Styrestromssikring	Styrströmsäkring	Styrestromsikring	Ohjausvirtasulake
4	Interruttore solenoidale	Magnetafbyrder	Kontaktor	Magnetbryter	Rele
5	Motore elettrico	Elektromotor	Elmotor	Elektromotor	Sähkömoottori
6	Panolo di comando	Betjeningspanel	Manöverpanel	Kontrollpanel	Ohjauspaneli
7	Batteria	Batteri	Batteri	Batteri	Akku
8	Spina maschio	Stik	Stickkontakt	Støpsel	Pikaliitin
9	Spina femmina	Kontrastik	Kontrastickontakt	Stikkontakt	Pikaliitin
10	Prolunga	Forlængerledning	Förlängningskabel	Skjøtekabel	Jatkokaapeli
11	Dinamo	Dynamo	Generator	Dynamo	Generaattori
12	Protezione termica	Termisk beskyttelse	Termiskt skydd	Termisk sikring	Lämpösuojain

	Codice colori cavi:	Farvekode til kabler:	Färgkod kablage:	Fargekode ledninger:	Kaapeleiden värikoodit:
1	Blu	Blå	Blå	Blå	Sininen
2	Rosso (+)	Rød (+)	Röd (+)	Rød (+)	Punainen (+)
3	Nero (-)	Sort (-)	Svart (-)	Svart (-)	Musta (-)
4	Bianco	Hvid	Vit	Hvit	Valkoinen

10.1 Gelijktijdige bediening van 2 boegschroeven met 1 paneel

Simultaneous operation of two bow thrusters with one panel

Gleichzeitige Bedienung von zwei Bugschrauben mit einem Armaturenbrett

Commande simultanée de 2 hélices d'étrave avec 1 panneau

Manejo simultáneo de 2 tornillos de retención con 1 panel

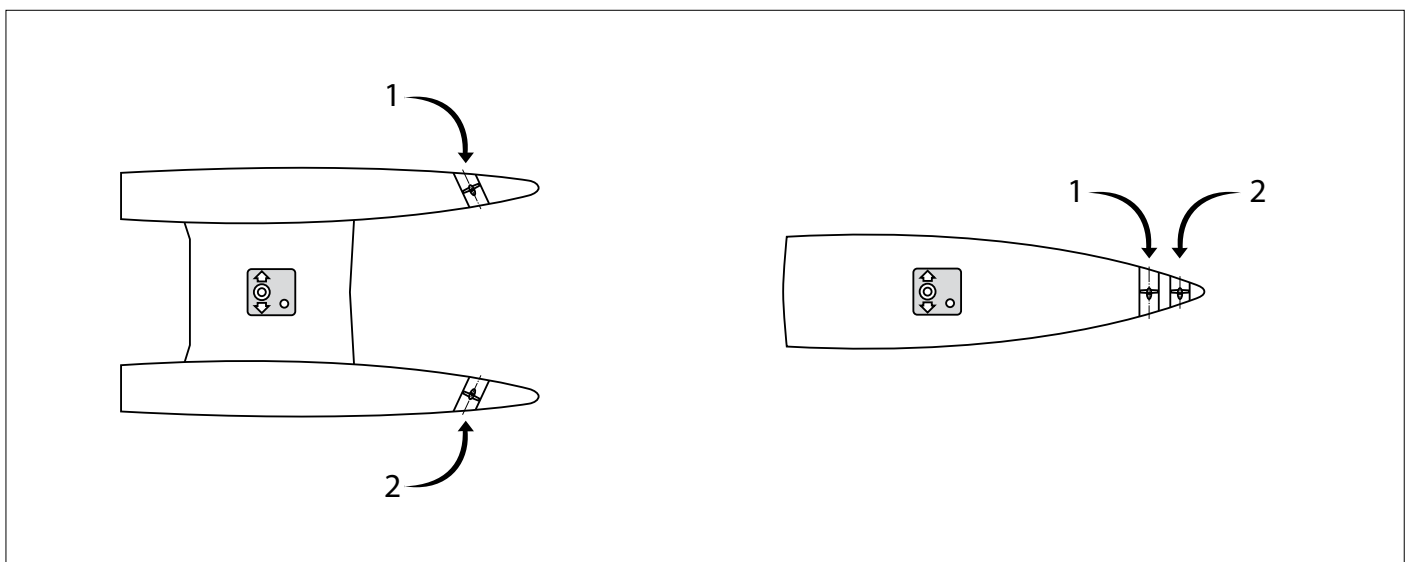
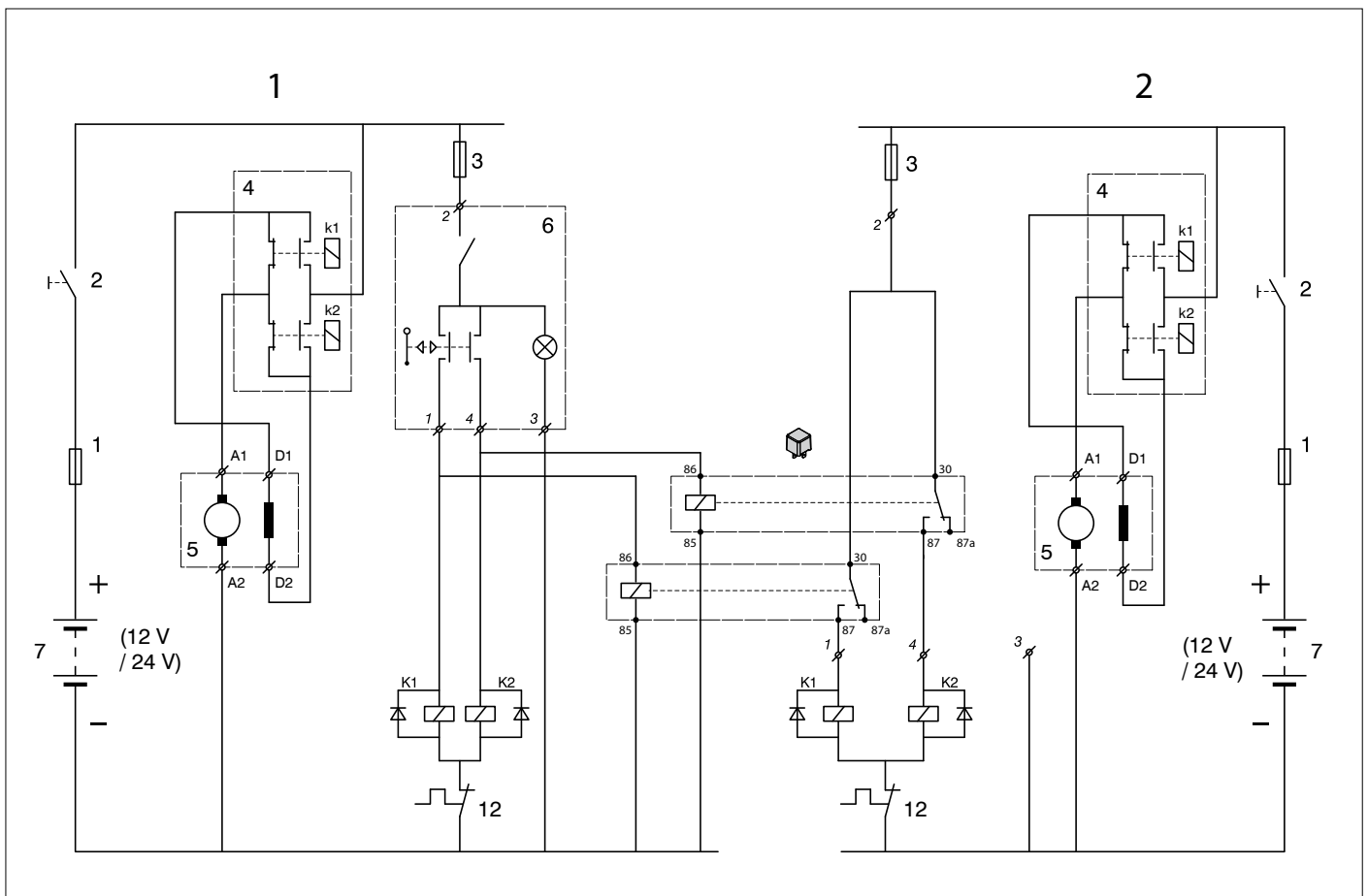
Comando contemporaneo di 2 eliche di prua mediante 1 solo pannello

Samtidig betjening af 2 bovpropeller med 1 betjeningspanel

Samtidig manövrering av 2 bogpropellrar med 1 panel

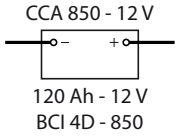
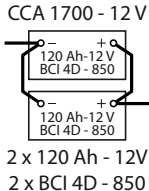
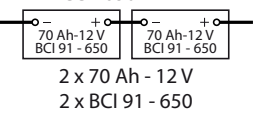
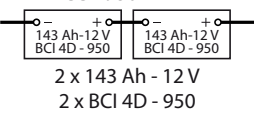
Samtidig betjening av 2 baugpropeller med 1 panel

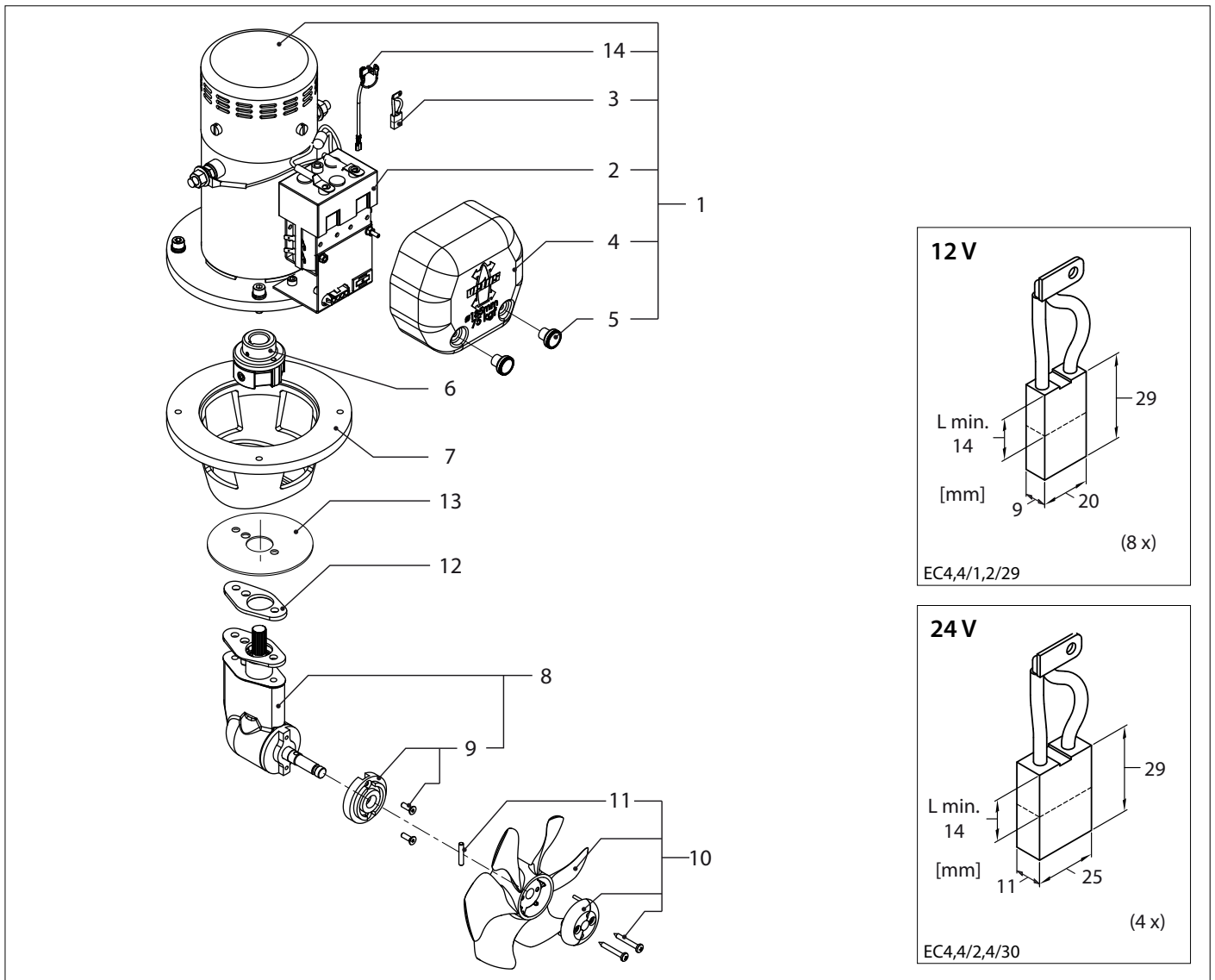
Kahden keukapotkurin ohjaus samanaikaisesti yhdellä panelilla.



11 Accucapaciteit, accukabels
Battery capacity, battery cables
Akkukapazität, Akkukabel
Capacité de la batterie, câbles de batterie
Capacidad de las baterías, cables de baterías

Capacità della batteria e cavi della batteria
Batteriets kapacitet, batterikabler
Batterikapacitet, batterikablar
Batterikapacitet, batterikabler
Akkukapasiteetti, akkukaapelit

Boegschroef	Toe te passen accu('s)		Totale lengte plus- en minikabel	Draaddoorsnede	Zekering			
	Minimaal	Maximaal			'traag'	Vetus art. code		
Bow thruster	Battery capacity required		Total length of plus- and minus cable	Cable cross-section	Fuse			
	Minimum	Maximum			'slow blow'	Vetus art. code		
Bugschraube	Zu verwendende Akkus		Gesamtlänge Plus- und Minuskabel	Draht-durchschnitt	Sicherung			
	Minimum	Maximum			'träge'	Artikelnummer		
Hélice d'étrave	Batterie(s) à utiliser		Longueur totale des câbles plus et moins	Diamètre du câble	Fusible			
	Minimum	Maximum			'lent'	code d'art. Vetus		
Hélice de proa	Batería(s) a aplicar		Largo total cable positivo y negativo	Diámetro de hilo	Fusible			
	Mínimo	Máximo			'lento'	Código de art. Vetus		
Elica	Batteria(e) da usare		Lunghezza totale cavo positivo e negativo	Diametro cavi	Fusibile			
	Minimo	Massimo			'a tempo'	Vetus codigo art.		
Bovpropel	Batterikapacitet		Total længde af positiv og negativ batterikabel tilsammen	Tråddiameter	Sikring			
	Min.	Max.			'træg'	Vetus artikelnr		
Bogpropeller	Lämpligt batteri		Total längd kabel till plus- och minuspol	Kabelns dimension	Säkring			
	Min.	Max.			'trög'	Vetus artikelnr		
Baugpropell	Nødvendig batterikapacitet		Total lengde pluss- og minuskabel	Ledningstverrsnitt	Sikring			
	Min.	Maks			'treg'	Vetus art. kode		
Keulapotkuri	Vaadittava akkukapasiteetti		'Miinus'- ja 'plus'-kaapeleiden kokonaispituudet	Kaapelikoko	Sulake			
	Minimi	Maksimi			hidas	Vetus koodi		
BOW7512C 75 kgf - 12 V	 <p>CCA 850 - 12 V 120 Ah - 12 V BCI 4D - 850</p>		 <p>CCA 1700 - 12 V 120 Ah - 12 V BCI 4D - 850 2 x 120 Ah - 12 V 2 x BCI 4D - 850</p>		0 - 8 m	70 mm ²	355 A	ZE355
	8 - 11 m	95 mm ²	0 - 27 ft	AWG 00				
BOW7524C 75 kgf - 24 V	 <p>CCA 650 - 24 V 70 Ah - 12 V BCI 91 - 650 2 x 70 Ah - 12 V 2 x BCI 91 - 650</p>		 <p>CCA 950 - 24 V 143 Ah - 12 V BCI 4D - 950 2 x 143 Ah - 12 V 2 x BCI 4D - 950</p>		0 - 21 m	50 mm ²	200 A	ZE200
	0 - 60 ft	AWG 1						



BOW7512C BOW7524C			Service onderdelen	Service parts
pos.	qty	part	benaming	description
1	1	SET0031	Elektromotor 4,4 kW - 12 V voor BOW7512C compl. met relais	Electromotor 4.4 kW - 12 V for BOW7512C c/w solenoid switches
	1	SET0109	Elektromotor 4,4 kW - 24 V voor BOW7524C compl. met relais	Electromotor 4.4 kW - 24 V for BOW7524C c/w solenoid switches
2	1	SET0015	Set relais 12 V voor BOW7512C	Set of solenoid switches 12 V for BOW7512C
	1	SET0020	Set relais 24 V voor BOW7524C	Set of solenoid switches 24 V for BOW7524C
3	1	SET0126	Set van 8 stuks koolborstels voor BOW7512C	Set of 8 pcs of carbon brushes for BOW7512C
	1	SET0127	Set van 4 stuks koolborstels voor BOW7524C	Set of 4 pcs of carbon brushes for BOW7524C
4	1	BP3076	Relaiskap	Relais cover
5	1	SET0006	Set van 2 stuks kartelmoeren	Set of 2 pcs knurled nuts
6	1	BP1202	Koppeling	Coupling
7	1	BP1199	Tussenflens	Intermediate flange
8	1	SET0035	Staatstuk compl.	Tailpiece compl.
9	1	SET0150	Zinkanode compl. met schroeven	Zincanode c/w screws
10	1	SET0088	Schroef compl. met meeneempen en montageset	Propeller c/w drive pin and mounting set
11	1	BP2755	Meeneempennen, 5 stuks	Propeller pins, 5 pcs
12	2	BP1020	Pakking 2 mm	Gasket 2 mm
13	1	BP1021	Pakking 1 mm	Gasket 1 mm
14	1	TS110	Thermische beveiliging	Thermal Protection



Declaration of Conformity

BOW7512C, BOW7524C

Wij verklaren onder onze volledige verantwoordelijkheid dat dit product voldoet aan, en in overeenstemming is met, de volgende normen en richtlijnen:

Dichiaro sotto la nostra responsabilità che questo prodotto è conforme e risponde alle seguenti norme e direttive:

We declare under our sole responsibility that this product is in conformity and accordance with the following standards and directives:

Vi erklærer på vores fulde ansvar, at dette produkt opfylder og er i overensstemmelse med følgende normer og direktiver:

Wir übernehmen vollständige Verantwortung dafür, dass dieses Produkt den folgenden Normen und Richtlinien entspricht und deren Anforderungen erfüllt:

Vi förklarar under vårt fullständiga ansvar att denna produkt uppfyller, och är i överensstämmelse med, följande normer och direktiv:

Nous déclarons sous notre entière responsabilité que ce produit est conforme aux normes et directives suivantes :

Vi erklærer under vårt fullstendige ansvar at dette produktet oppfyller og er i overensstemmelse med følgende standarder og direktiver:

Declaramos bajo nuestra total responsabilidad que este producto es conforme a las siguientes normas y directivas:

Vakuutamme täysin omalla vastuullamme, että tämä tuote täyttää seuraavien normien ja direktiivien vaatimukset ja yhdenmukaisuuden:

EN 55011

EN 61000

2004/108/EEC

93/68/EEC

Schiedam, 06 08 2012

Ing. P.H. le Pair

Vetus N.V.
Fokkerstraat 571
3125 BD Schiedam
The Netherlands

VETUS n.v.

FOKKERSTRAAT 571 - 3125 BD SCHIEDAM - HOLLAND - TEL.: +31 10 4377700
TELEFAX: +31 10 4372673 - 4621286 - E-MAIL: sales@vetus.nl - INTERNET: <http://www.vetus.com>

Printed in the Netherlands
020536.04 2012-08