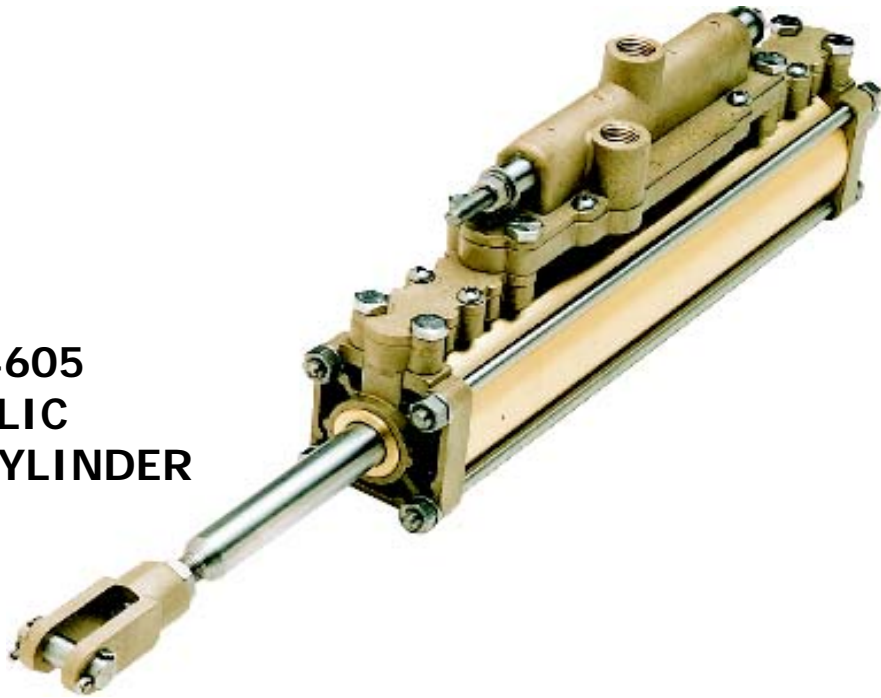


**MODEL 4605
HYDRAULIC
SERVO CYLINDER**



This cylinder was especially designed where full power follow-up control is required. Its purpose is to provide finger-tip control over relatively hard moving machine components.

The 4605 can be remote mechanically operated with Kobelt Push Pull controls or with pneumatic control devices.

The cylinder is available in 4", 6" and 8" stroke configurations using basically the same components. The maximum operating pressure is 500 psi. It will produce a maximum of 1300 pounds of force in either direction. The response time at 300 psi on an 8" stroke cylinder is approximately 1.75 seconds. 4 gpm of fluid flow is required to achieve this (reduced gpm will increase the response time).

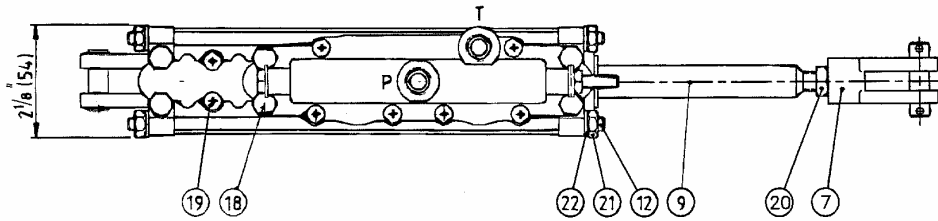
Under the same condition, a 4" stroke cylinder will move from extreme to extreme in one second.

Its all bronze and stainless steel construction will offer years of trouble-free service. Its applications are the control of water jet buckets, steering gear, power take-off and innumerable other applications where infinite positioning and force multiplication are required.

ORDERING INFORMATION

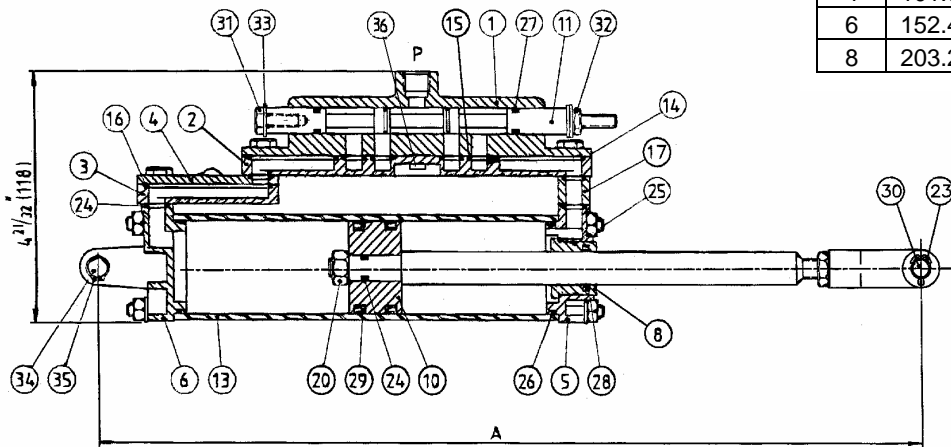
- 4605-4 = 4" stroke
- 4605-6 = 6" stroke
- 4605-8 = 8" stroke

MODEL 4605 HYDRAULIC SERVO CYLINDER



P - PRESSURE LINE
T - TANK RETURN LINE

STROKE		A	
in.	mm	in.	mm
4	101.6	14.0	355.6
6	152.4	16.0	406.4
8	203.2	18.0	457.2



ITEM	QTY	PART NUMBER	DESCRIPTION	ITEM	QTY	PART NUMBER	DESCRIPTION
1	1	4605-0001	Spool Housing	19	8*	1010-0808	Round Hd. Philips M.S.
2	1	4605-0002	Manifold	20	2*	1022-0262	Hex Nut
3	1*	4605-0003	Extension	21	8	1022-0160	Hex Nut
4	1*	4605-0004	Cover	22	8	1023-0310	Lock Washer
5	1	4605-0005	End Cap	23	2	1026-0312	Cotter Pin
6	1	4605-0006	Rear End Cap	24	5*	1101-0012	"O" Ring
7	1	4605-0007	Clevis	25	1	1101-0020	"O" Ring
8	1	4605-0008	Bushing	26	2	1101-0129	"O" Ring
9	1	4605-0009	Piston Rod	27	2	1102-0001	"U" Cup
10	1	4605-0010	Piston	28	2	1102-2006-H	"U" Cup
11	1	4605-0011	Spool 1/4"	29	2	1102-0052	"U" Cup
11*	1*	4605-1011	Spool 3/8"	30	1	6112-0010S	Pin
12	4	4605-0012	Tie Rod	31	1	1001-1008	Hex Head Cap Screw
13	1	4605-0013	Tube	32	1	1022-0260	Jam Nut
14	2	4605-0014	Gasket	33	3	1023-0110	Washer
15	1	4605-0015	Gasket	34	1	1025-0318	Pin
16	1*	4605-0016	Gasket	35	2	1029-1037	Snap Ring
17	1*	4605-0017	Spacer	36	1	1002-0806	Socket Hd Cap Screw
18	6*	1001-1014	Hex Head Cap Screw				

* Quantity may vary with options