

2048 TWIN ENGINE MEDIUM DUTY SINGLE LEVER CONTROL HEAD

The 2048 control head is a twin engine version of the 2046 control head. It has the same features as the 2046 single lever control head. In order to warm up an engine without gear engagement, the control handle is pulled away from the dome approximately $\frac{1}{4}$ ". This will disengage the clutch mechanism and will allow engine acceleration.

When the control handle is returned to the neutral position, the clutch mechanism is automatically engaged. The control head also provides a small detent in the full throttle position in one direction (forward) only. This will prevent the engine from creeping back. By reversing the detent roller and spring assembly, the full speed detent can also be reversed.

ORDERING INFORMATION

Model Designations:

K – with chromed cover and handles
L – with brass finish cover and handles
M – with black epoxy painted cover and chromed handles

The standard model 2048 control head is supplied as follows:

2048-K (with chromed cover and handles)

To order, state model number followed by Model Designation letter codes.

Notes:

1. Plastic labels are available to indicate Neutral, Forward and Reverse positions, as well as the speed scales. To order, use Part number 2046-0015.
2. Cable connector kits are ordered separately. Each push pull cable end attached to the control head requires one kit.

Ordering Numbers:

2048-0901 - #10-32 (30 series)
connector kit

2048-0902 - $\frac{1}{4}$ "-28 *(40 series)
connector kit

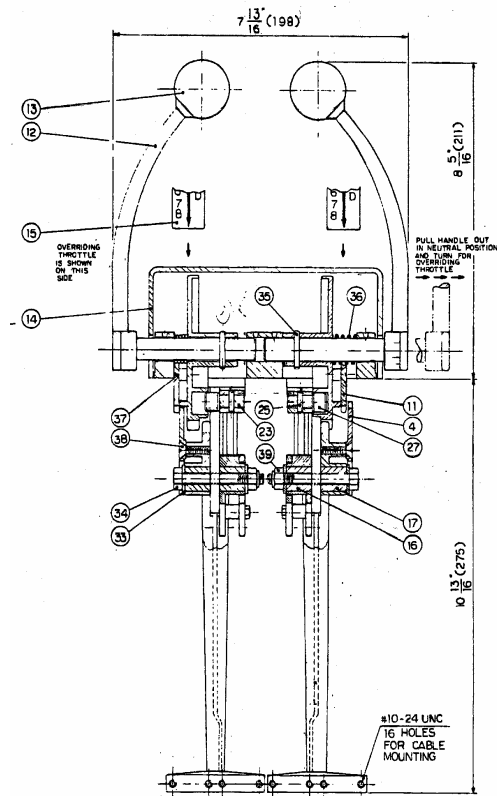
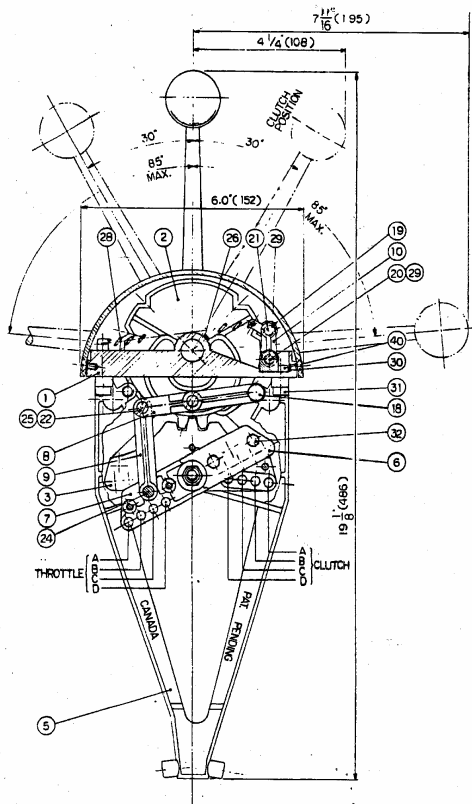
2048-0903 - Neutral safety switch kit

3. **IMPORTANT:** Model 2048 is designed to work as a single station unit only. If two stations are to be interconnected, transfer unit MUST be used.

Please consult Kobelt Mfg. for details.

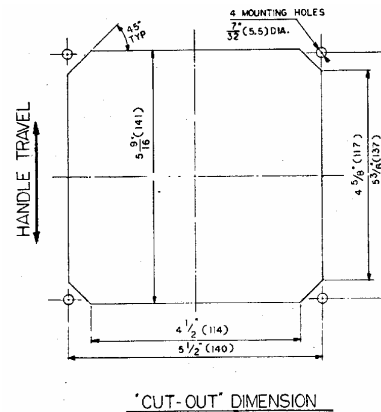
Weight: 14.4 lb. (6.5 kg)

Dimensions and Parts List Model 2048



ITEM	QTY	PART NUMBER	DESCRIPTION
1	1	2048-0001	Frama
2	2	2046-0002	Centre Cam
3	2	2046-0003	Pivot Cam
4	2	2046-0004	Retainer
5	2	2046-0005	Support
6	2	2046-0006	End Plate
7	2	2046-0007	Throttle Cam
8	2	2046-0008	Link No. 1
9	2	2046-0009	Link No. 2
10	2	2046-0010	Detent Lever
11	2	2046-0011	Cam Retainer
12	2	2046-0012	Handle
13	2	2030-0001	Knob
14	1	2048-0002	Dome
15	2	2046-0015	Nameplate
16	2	2046-0016	Throttle Bushing
17	2	2046-0017	Clutch Bushing
18	2	2046-0018	Shoulder Bolt
19	2	2046-0019	Detent Roller
20	1	2048-0006	Pillow Block Pin
21	2	2046-0020	Detent Link Pin
22	2	2046-0022	Link Pin
23	2	2046-0023	Link Solid Pin
24	2	2046-0024	Pivot Plate Pin
25	4	1024-0510	Spring Pin
26	2	1016-0804	Set Screw
27	2	2046-0027	Throttle Roller
28	2	1202-0002	Spring
29	4	1029-1025	Snap Ring
30	2	1005-0808	Oval Hd Slotted Mach. Screw
31	8	1002-1010	Socket Head Cap Screw
32	8	1001-0808	Hex Hd Cap Screw
33	4	1023-0236	Washer
34	2	1001-1136	Hex Head Cap Screw
35	2	1024-0816	Spring Pin
36	2	1201-0108	Spring
37	4	1009-0806	Flt Hd Phillips Mach. Screw
38	6	1009-0808	Flt Hd Phillips Mach. Screw
39	2	1022-0311	Lock Nut
40	1	2048-0005	Pillow Block
41	1	1016-1204	Set Screw
42	1	1201-0002	Spring
43	1	2542-0008	Friction Plug
44	2	1025-2025	Snap Ring

All dimensions in inches (mm)



CODE	A	B	C	D
TRAVEL NO				
THROTTLE TRAVEL	1 5/8 (41)	1 3/8 (35)	1 1/8 (27)	13/16 (21)
CLUTCH TRAVEL	3 (76)	2 1/2 (64)	1 7/8 (46)	1 1/4 (32)