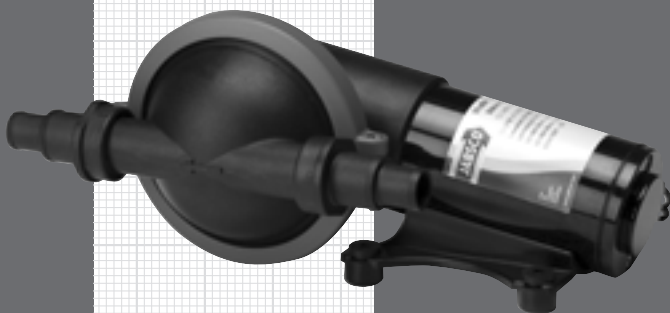


JABSCO®



50880



- GB** Shower Drain and Bilge Pump
- FR** Shower Drain and Bilge Pump
- DE** Shower Drain and Bilge Pump
- IT** Shower Drain and Bilge Pump
- NL** Shower Drain and Bilge Pump
- SE** Shower Drain and Bilge Pump
- ES** Shower Drain and Bilge Pump

CE

Jabsco



ITT Industries
Engineered for life

JABSCO®

Shower Drain and Bilge Pump

Robust Single Diaphragm Design

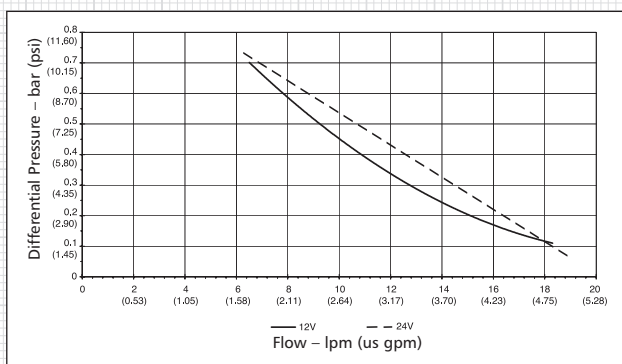
Features

- Flexible installation
- No filter required
- Compact and simple design
- Self-priming to 3m (9.5ft)
- 12v and 24v variants
- Dry running capability
- Connections for 19mm (3/4") ports
- Up to 16 lpm (4.2 us gpm) flow

Specifications

- Suction Lift: 3 meters (9.5ft)
- Relevant Standards:
- ISO 8846 MARINE and USCG Regulations for Ignition Protection
- ISO 8849 MARINE Bilge Pump Standard
- Built to ISO 15083 Specification
- Meets BSEN 50081 (Electro Magnetic Compatibility)

Performance Curve



Installation

- The Jabsco Shower Drain and Bilge Pump is self priming up to 3m (9.5ft).
- Use Multi positional ports for easy mounting of the pump.
- If mounted vertically the motor should be above the pump head.
- Use rubber grommets provided to absorb vibration.
- Use 19mm (3/4") i.d. spiral reinforced hose (with a smooth internal bore), or semi-rigid pipework systems.
- Connect the hose to inlet and outlet of pump using two stainless steel hose clamps at both ends.
- All suction connections must be airtight and free of sharp bends or restrictions.



WARNING: All marine pumps discharging overboard must be installed with the overboard discharge well above static and heeled waterlines.



WARNING: Do not use any Jabsco pump for petrol, petroleum products or any products with a flash point below 37°C (98°F), explosion or death may occur.

Operation

The dc motor is suitable for intermittent duty and should not be run for more than 30 minutes continuously.

Maintenance



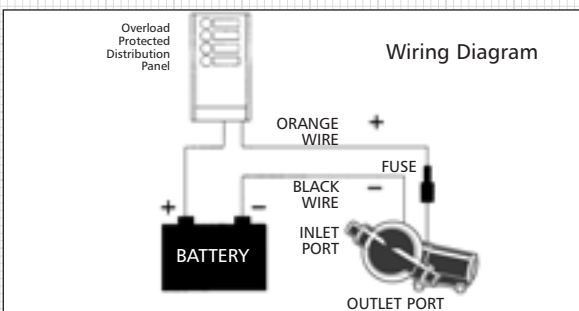
WARNING: Always disconnect pump from power supply.

Check all electrical connections periodically, particularly in salt water areas. Corrosion can cause loss of performance or non-operation in extreme cases. The motor should be protected with a corrosion inhibiting spray and any rust should be removed and the motor repainted.

GB

Wiring Instructions

- Make all electrical connections in dry locations; connections in humid environments should be sealed to prevent corrosion.
- Protect the circuit with a rated fuse or circuit breaker in the red positive (+) lead as close as possible to the power source.
- Connect the black motor wire to the negative (-) battery terminal.
- Inadequate voltage at the motor terminals when the pump is running (not less than 10% below rated voltage at full load) due to partially discharged batteries or insufficient cable size may result in blowing fuses, failure to start or poor pump performance.



Model No	Voltage	Max Current	Max Fuse Size	Wiring size*		
				AWG	mm ²	Max. Length
50880-1000	12V	8A	10A	14	2.5	4.5m (15ft)
				14	2.5	9.0m (30ft)
50880-1100	24V	2.5A	5A	14	2.5	4.5m (15ft)
				14	2.5	9.0m (30ft)

*for longer installations, fit thicker cables



WARNING: If the fuse fails repeatedly do not fit a heavier fuse or bridge the fuse terminals with silver paper or metal wire. Failure to observe this instruction may result in a fire hazard due to overheating of cables.

Ensure sterilization of wet end before disassembly.

Rotation of Pump Head

(See diagrams on inside back cover)

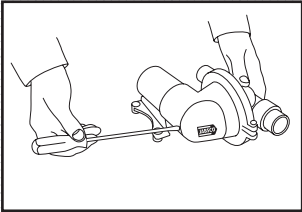
1. Push down on clip and remove end cover
2. Internal bolt heads now exposed
3. Undo all four mounting bolts
4. Remove bolts and grasp motor unit firmly
5. Rotate pump head to desired position
6. Example of pumps rotational capabilities
7. Replace all 4 internal bolts and secure tightly
8. Replace end cover

Rotation of Ports

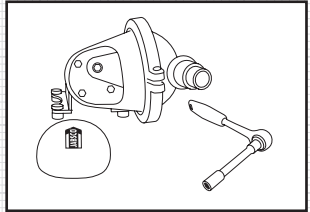
(See diagrams on inside back cover)

1. Undo clamp using allen key
2. Remove clamp
3. Rotate port unit to desired location
4. Example of pumps rotational capabilities
5. Replace clamp and tighten until firmly secure

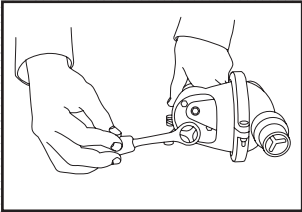
Rotation of Pump Head



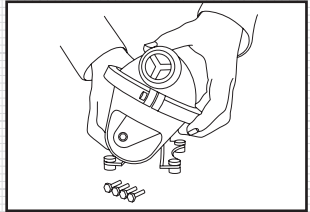
1



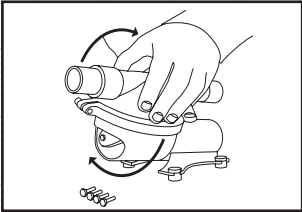
2



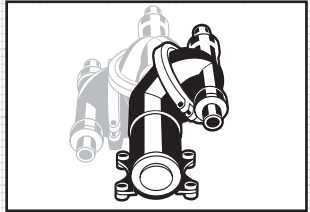
3



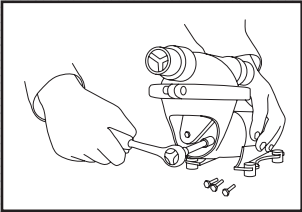
4



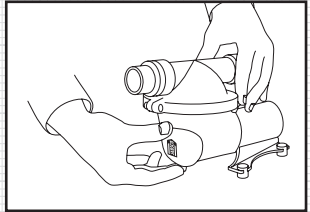
5



6

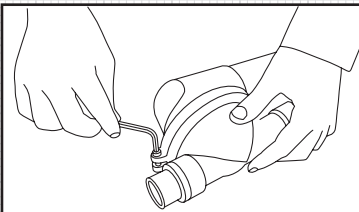


7

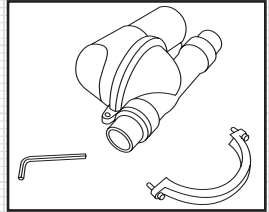


8

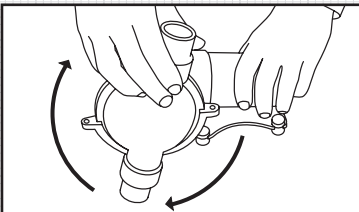
Rotation of Ports



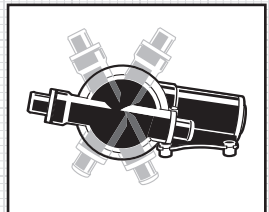
1



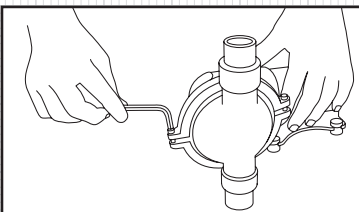
2



3



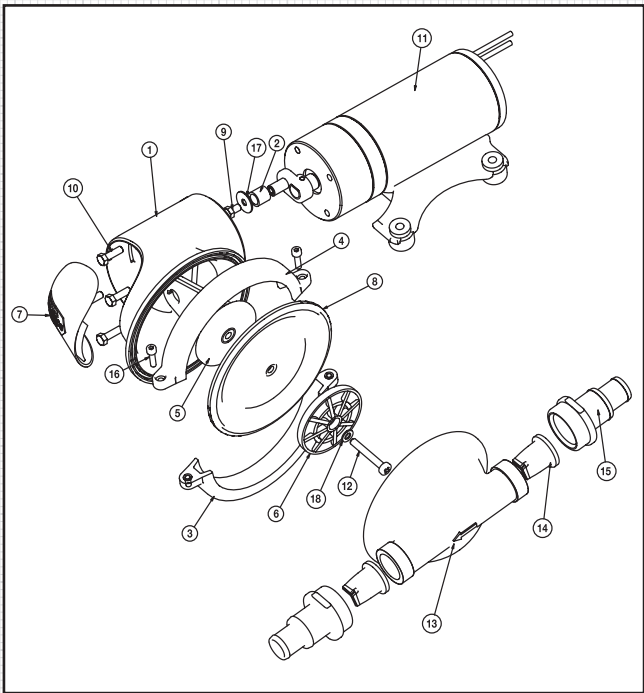
4



5



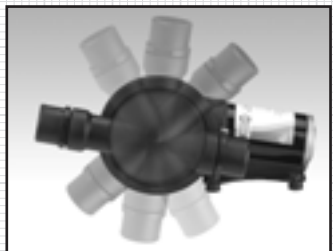
EXPLODED VIEW



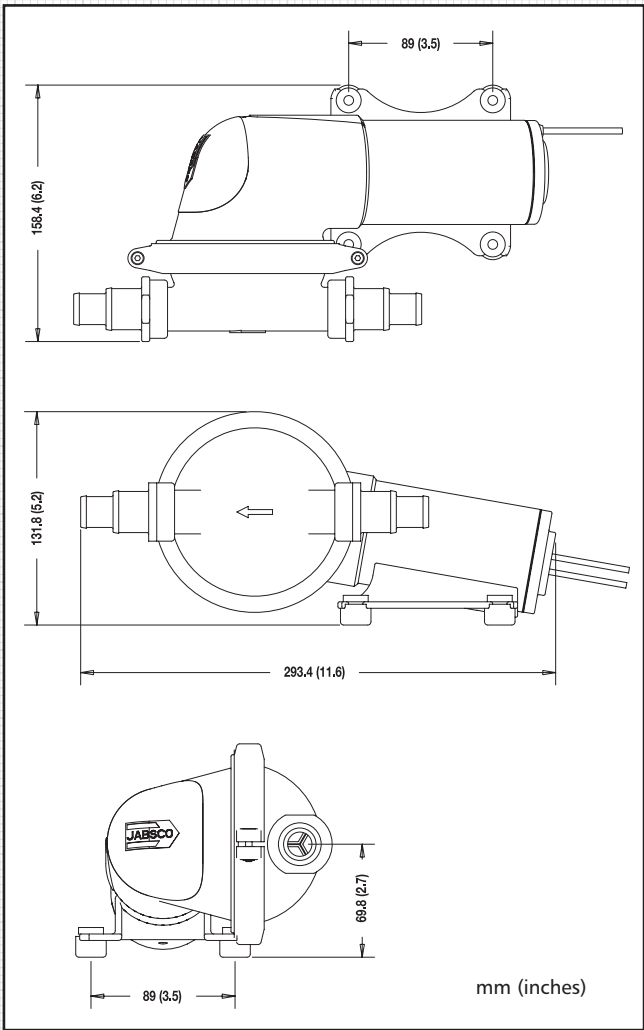
Part Numbers		
Model	Voltage	Fuse Sizes
50880-1000	12V	7A
50880-1100	24V	5A

Service Kit (Includes*)	
SK880	Service Kit - Waste Pump

Key	Description	*Quantity in Kit
1	Bracket	
2	Bush	
3	Clamp Bottom	
4	Clamp Top	
5	Con Rod	
6	Con Rod Plate	
7	Cover	
8	Diaphragm	
9	Hex Head Screw	
10	Hex Head Screw	4
11	Motor Assembly	
12	Screw Recessed Pan Head	1
13	Shower Drain & Bilge Pump Chamber	
14	Shower Drain & Bilge Pump Joker Valve	2
15	Shower Drain & Bilge Pump Port	2
16	Socket Head Screw	
17	Washer	
18	Washer	1



DIMENSIONAL DRAWING



Jabsco



ITT Industries

Engineered for life

Jabsco,

1 Kondelin Road, Cape Ann Industrial Park, Gloucester, MA 01930

USA

Tel: +1 978 281 0440

Fax: +1 978 283 2619

Jabsco,

Bingley Road, Hoddesdon, Hertfordshire EN11 0BU

UK

Tel: +44 (0) 1992 450 145 Fax: +44 (0) 1992 467 132

Fluid Products Canada,

55 Royal Road, Guelph, Ontario N1H 1T1

CANADA

Tel: +1 519 821 1900

Fax: +1 519 821 2569

NHK Jabsco Co Ltd,

3-21-10, Shin-Yokohama, Kohoku-ku, Yokohama 222

JAPAN

Tel: +81 (0) 45 475 8906

Fax: +81 (0) 45 475 8908

Jabsco GmbH,

Oststraße 28, 22844 Norderstedt

GERMANY

Tel: +49 (0) 40 53 53 73 0

Fax: +49 (0) 40 53 53 73 11

Jabsco Marine Italia S.r.l.,

Via Tommaseo, 6, 20059 Vimercate, Milano

ITALY

Tel: +39 039 6852323

Fax: +39 039 666307

Discover Jabsco at www.jabsco.com

Warranty: All products of the company are sold and all services of the company are offered subject to the company's warranty and terms and conditions of sale, copies of which will be furnished upon request