

# 5022-A | AIR APPLIED CALIPER DISC BRAKE

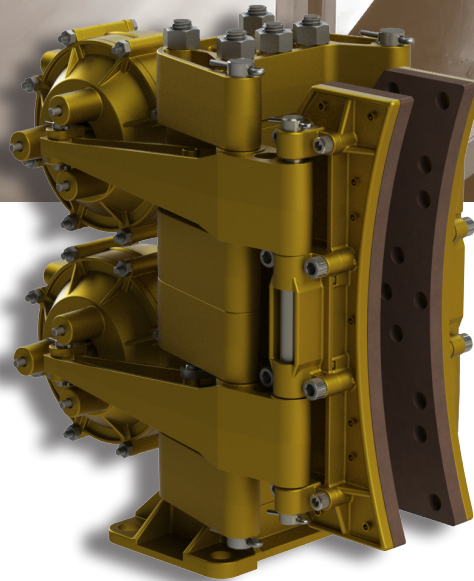


## KEY BENEFITS

Bronze & stainless steel construction

Rapid brake pad change out

Well matched to Kobelt's standard range of 2" ventilated discs



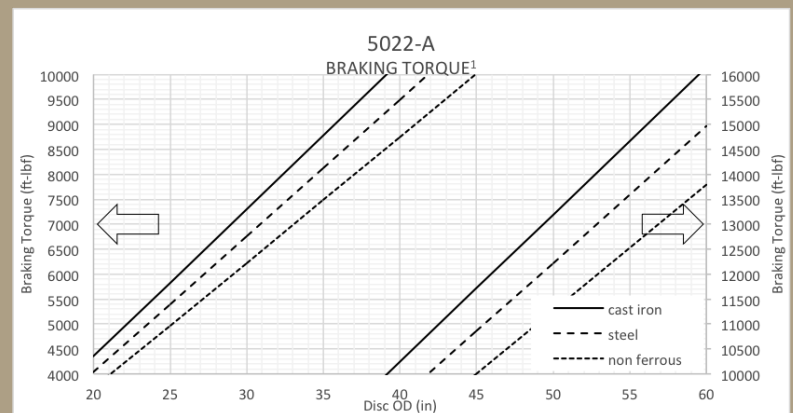
## Putting you in control.

For over three decades, Kobelt has been manufacturing air applied disc brakes using a double diaphragm design for accurate tension control. Constructed of bronze and stainless steel, Kobelt's disc brakes are built to last in the harshest conditions.

Available with several options, these caliper disc brakes are well suited for service braking applications on uncoilers, work boats and more.

## SPECIFICATIONS

Normal Force:	0...8630 lbs	[38.4 KN]
Maximum Pressure:	100 psi	[6.9 bar]
Port Size:	¼ NPT	
Actuator Volume:	14.6 in <sup>3</sup>	[240 cc]
Temperature Range:	-40°F...+120°F -40°C...+49°C	
Disc Thickness:	2 in	[51 mm]
Minimum Disc Diameter:	20 in	[508 mm]
Maximum Disc Diameter <sup>2</sup> :	60 in	[1524 mm]
Pad Life:	1638 hp-hr	[1222 kw-hr]
Weight:	91 lbs	[41.4 kg]



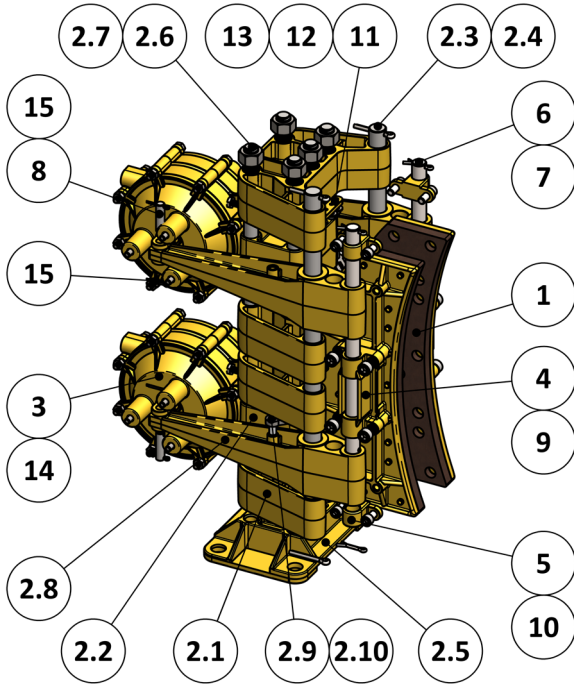
<sup>1</sup> Values in this chart are theoretical and for reference only. They are based on properly bedded and burnished linings acting on a rotor at 20°C and manufactured to required specifications.

<sup>2</sup> Requires a minimum 4.34 in [110 mm] wide face.

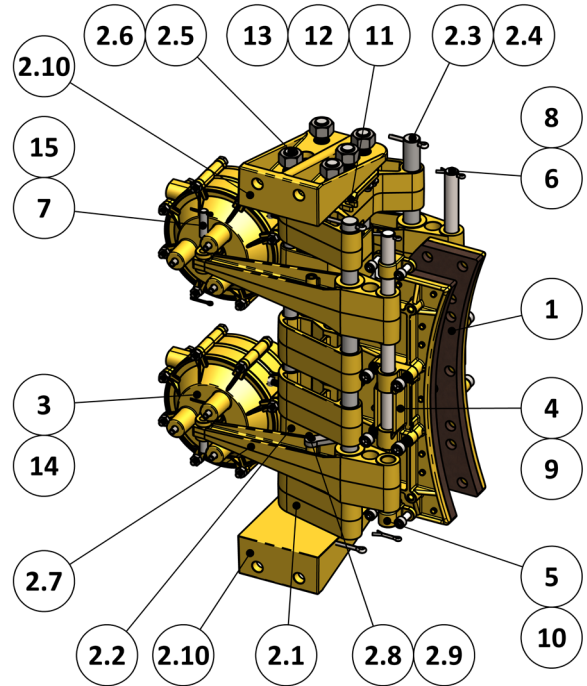


# PARTS LISTING

## 5022-A Caliper Brake



## 5022-AW Caliper Brake

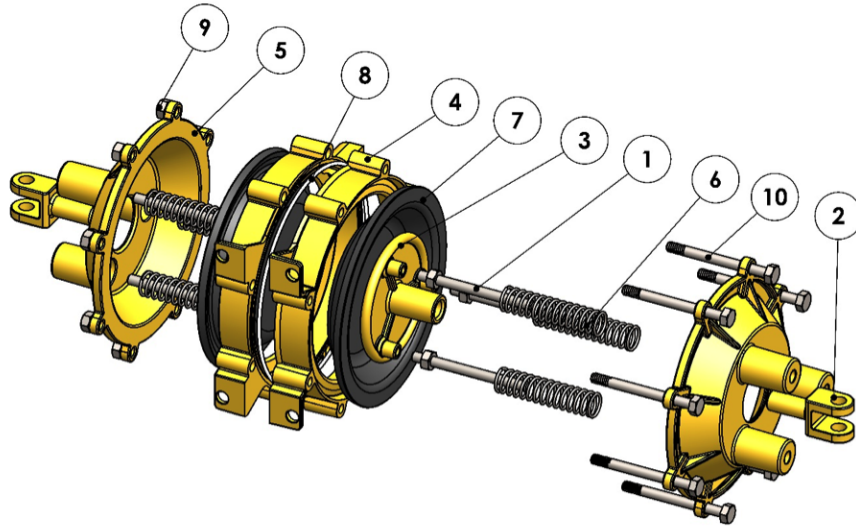


ITEM	QTY.	PART NUMBER	5022-A DESCRIPTION
1	2	5022-LS	SHOE ASSEMBLY, 5022 CALIPER, 1/2" K5
2	1	5022-SUB	SUB-ASSEMBLY, 5022 CALIPER
2.1	4	5021-0002	SADDLE, 5021 CALIPER
2.2	2	5021-0003	SPACER, 5021 CALIPER
2.3	2	5022-0022	SADDLE PIN, 5022 CALIPER
2.4	4	1026-0824	COTTER PIN, 3/16 X 1 1/2
2.5	1	5021-0001	FOOT, 5021 CALIPER
2.6	5	5022-0023	TIE ROD, 5022 CALIPER
2.7	5	1022-0116	REG HEX NUT 5/8-11 NC, GR 18-8
2.8	4	5021-0004	LEVER, 5021 CALIPER
2.9	2	5021-0011	BALANCING LINK, PART 1, 5021 CALIPER
2.10	2	5021-0226	LINK PIN, 5/16NC X 7/8 LG
3	2	6112	AIR APPLIED ACTUATOR, 6112
4	2	5022-0013	PIVOT BLOCK, CENTER, 5022 CALIPER
5	4	5022-0014	PIVOT BLOCK, OUTER, 5022 CALIPER
6	2	5022-0021	SHOE PIN, 5022 CALIPER
7	4	1026-0516	COTTER PIN, 1/8" X 1", SS
8	4	6112-0010L	PIN, LONG, 6112 ACTUATOR
9	8	1002-1216	SCREW, SKT HD CAP, 3/8-16 UNC X 1, SS
10	8	1002-1112	SCREW, SKT HD CAP, 5/16-18 UNC X 3/4 LG, 18-8
11	2	5021-0012	BALANCE LINK NO. 2, 5021 CALIPER
12	4	1002-0808	SCREW, SKT HD CAP, #10-24 UNC x 1/2 LG, SS
13	4	1023-0108	WASHER, FLAT, #10, TYPE A, SS
14	8	1001-1008	SCREW, HEX HD, 1/4-20 UNC X 1/2, SS
15	8	1026-0312	COTTER PIN, 3/32" X 3/4", SS

ITEM	QTY.	PART NUMBER	5022-AW DESCRIPTION
1	2	5022-LS	SHOE ASSEMBLY, 5022 CALIPER, 1/2" K5
2	1	5022-SUB-W	SUB-ASSEMBLY, 5022 CALIPER
2.1	4	5021-0002	SADDLE, 5021 CALIPER
2.2	2	5021-0003	SPACER, 5021 CALIPER
2.3	2	5022-0022	SADDLE PIN, 5022 CALIPER
2.4	4	1026-0824	COTTER PIN, 3/16 X 1 1/2
2.5	5	5022-0023	TIE ROD, 5022 CALIPER
2.6	10	1022-0116	REG HEX NUT 5/8-11 NC, GR 18-8
2.7	4	5021-0004	LEVER, 5021 CALIPER
2.8	2	5021-0011	BALANCING LINK, PART 1, 5021 CALIPER
2.9	2	5021-0226	LINK PIN, 5/16NC X 7/8 LG
2.10	2	5021-0101	SIDE MOUNT BRACKET, 5021 CALIPER
3	2	6112	AIR APPLIED ACTUATOR, 6112
4	2	5022-0013	PIVOT BLOCK, CENTER, 5022 CALIPER
5	4	5022-0014	PIVOT BLOCK, OUTER, 5022 CALIPER
6	2	5022-0021	SHOE PIN, 5022 CALIPER
7	4	6112-0010L	PIN, LONG, 6112 ACTUATOR
8	4	1026-0516	COTTER PIN, 1/8" X 1", SS
9	8	1002-1216	SCREW, SKT HD CAP, 3/8-16 UNC X 1, SS
10	8	1002-1112	SCREW, SKT HD CAP, 5/16-18 UNC X 3/4 LG, 18-8
11	2	5021-0012	BALANCE LINK NO. 2, 5021 CALIPER
12	4	1002-0808	SCREW, SKT HD CAP, #10-24 UNC x 1/2 LG, SS
13	4	1023-0108	WASHER, FLAT, #10, TYPE A, SS
14	8	1001-1008	SCREW, HEX HD, 1/4-20 UNC X 1/2, SS
15	8	1026-0312	COTTER PIN, 3/32" X 3/4", SS

# PARTS LISTING

## 6112 Actuator



ITEM	QTY.	PART NUMBER	6112 DESCRIPTION
1	6	6112-0007	GUIDE PIN, 6112 ACTUATOR
2	2	6112-0005	CLEVIS, 6112 ACTUATOR
3	2	6112-0003	DIAPHRAGM WASHER, 6112 ACTUATOR
4	2	6112-0002	CENTRE HOUSING, 6112 ACTUATOR
5	2	6112-0001	END CAP, 6112 ACTUATOR
6	6	1201-0146	SPRING, COMPRESSION, .640 OD X .065 WIRE X 2.95 L
7	2	1105-0012	DIAPHRAGM, NO. 12 SIZE
8	1	1101-0161	O-RING, 5-1/2 ID X 3/32 THK, NBR70
9	14	1022-0110	HEX NUT, 1/4-20-NC, GR18-8
10	8	1001-1044	BOLT, HX HD, 1/4-20 X 2.75, SS

Note: Parts lists are applicable to standard models only.