



Sewage Lifting Pump



Installation – Operation – Maintenance

10/2003

Installation - Operation - Maintenance

10/2003

Sewage Lifting Pump

General Information

By buying the sewage lifting pump GWH you have purchased a Rheinstrom high-quality product. We only use well-chosen high-quality components to ensure a trouble-free operation for many years to come.

This sewage lifting pump is an automatically working sewage conveying unit. It was designed to be connected to showers, hand basins, kitchen sinks and other places where sewage can not flow into a sewage tank or outboards through natural fall. The unit consists of a durable GRP housing with two connections: 1", 1 1/2". A clogging-free sewage pump with integrated shredder which cuts kitchen waste is also mounted. Therefore it is possible to convey sewage through a 1" tube. Backflow is prevented by a pressure lip valve. An electric-mechanical control enables the unit to work trouble-free even at a tilt-angle of 45°.

Each pump is checked thoroughly before leaving our house. Rheinstrom gives a 2 year warranty for each pump and guarantees a trouble-free functioning if the unit is installed professionally and treated properly.

Technical Data

Pump performance (output)	60 l / min
Suction height	6 m
Connections (inlet)	1", 1 1/2"
Ventilating tube	1"
Connections (outlet)	1"
Weight	7,5 kg
Motor rating	0,3 kw

Installation

Attention

To ensure the safety of your boat this unit should be installed by trained personnel only.

The unit has to be mounted in an upright position.

If the pump is to be installed below water-line and the outboard connection is also below water-line the gooseneck pressure pipe has to be at least 500 mm above water-line. The ventilation tube should be run high enough and open at all times.

Rheinstrom GWH

Attention

The installation of the pump into the power supply system should be carried out by trained personnel .

- Please make sure that the voltage on board and the information on the pump's data plate are corresponding.
- **Please connect polarity !**
Reversed wires may destroy the motor of the pump.
(red=positive, black=negative)
- Use connection cables with a big enough cross-section. For wires which do not exceed the length of 5 metres we recommend a cross-section of 4mm² and for longer wires of 6mm².
- The motor of the pump should be protected by an overload relay. We recommend the installation of an automatic circuit breaker. In case a fuse is used an ON/OFF switch should be installed in the positive wire.

Maintenance

The sewage lifting pump GWH is maintenance free. If frost is expected empty pump's housing and tubes. Should there be a water leakage between housing and motor the double shaft packing has to be renewed. The dismounting of the pump can be performed easily.

Spare parts

We can supply you with any part the pump contains of. Furthermore we have repair kits containing all seals and wear parts in store. You can find all part numbers and descriptions in our part list or on the enclosed drawing. For more information about our product range we would be pleased to send you our catalogue.

Illustrations are noncommittal

Construction and design can be subject to change without notice

Rheinstrom - Pumpenfabrik GmbH

Wallerheimer Weg 13-19

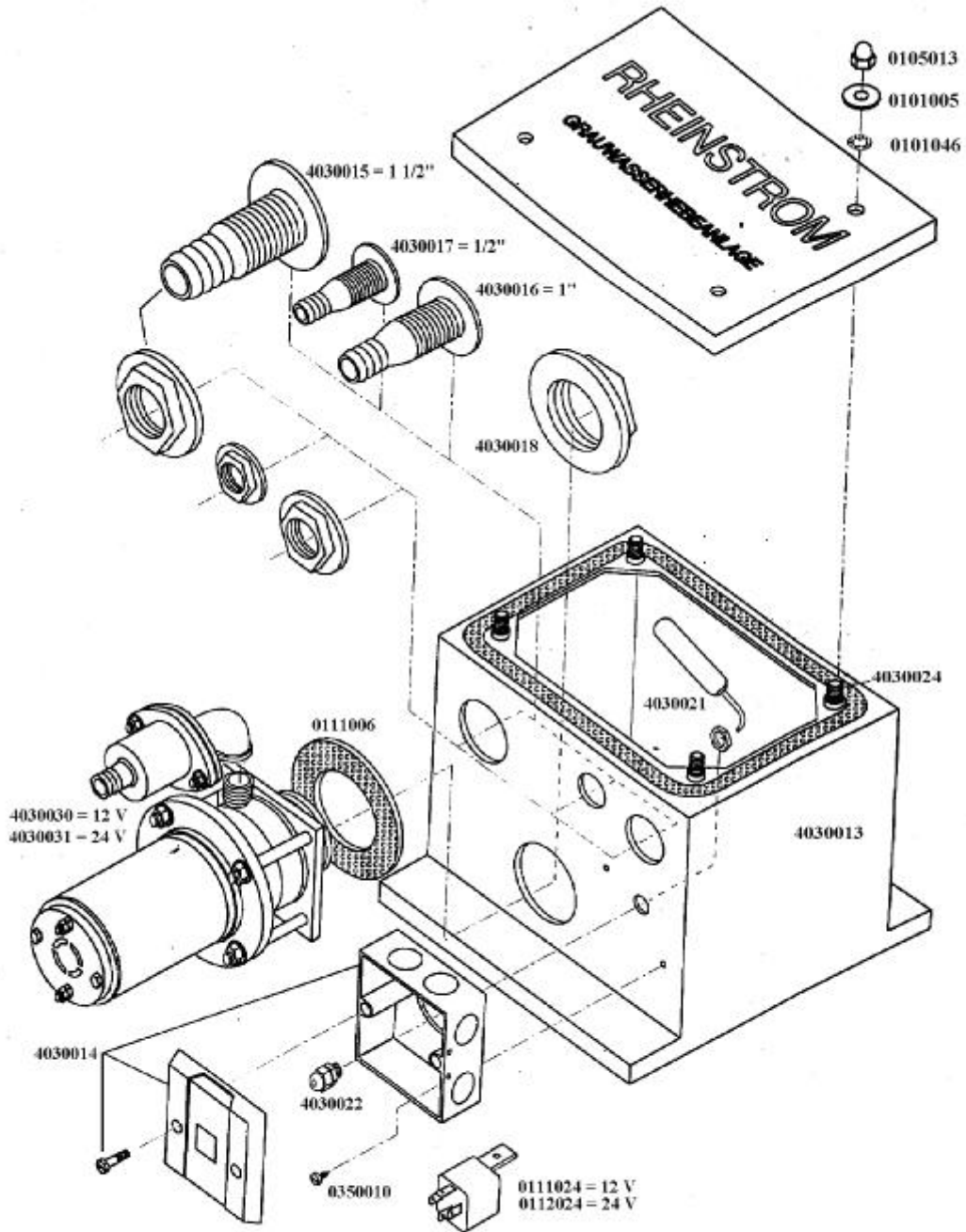
56070 Koblenz - Germany

Telefon 0049 261 82027 , Telefax 0049 261 82029

E-Mail= Info@Rheinstrom-Pumpen.com

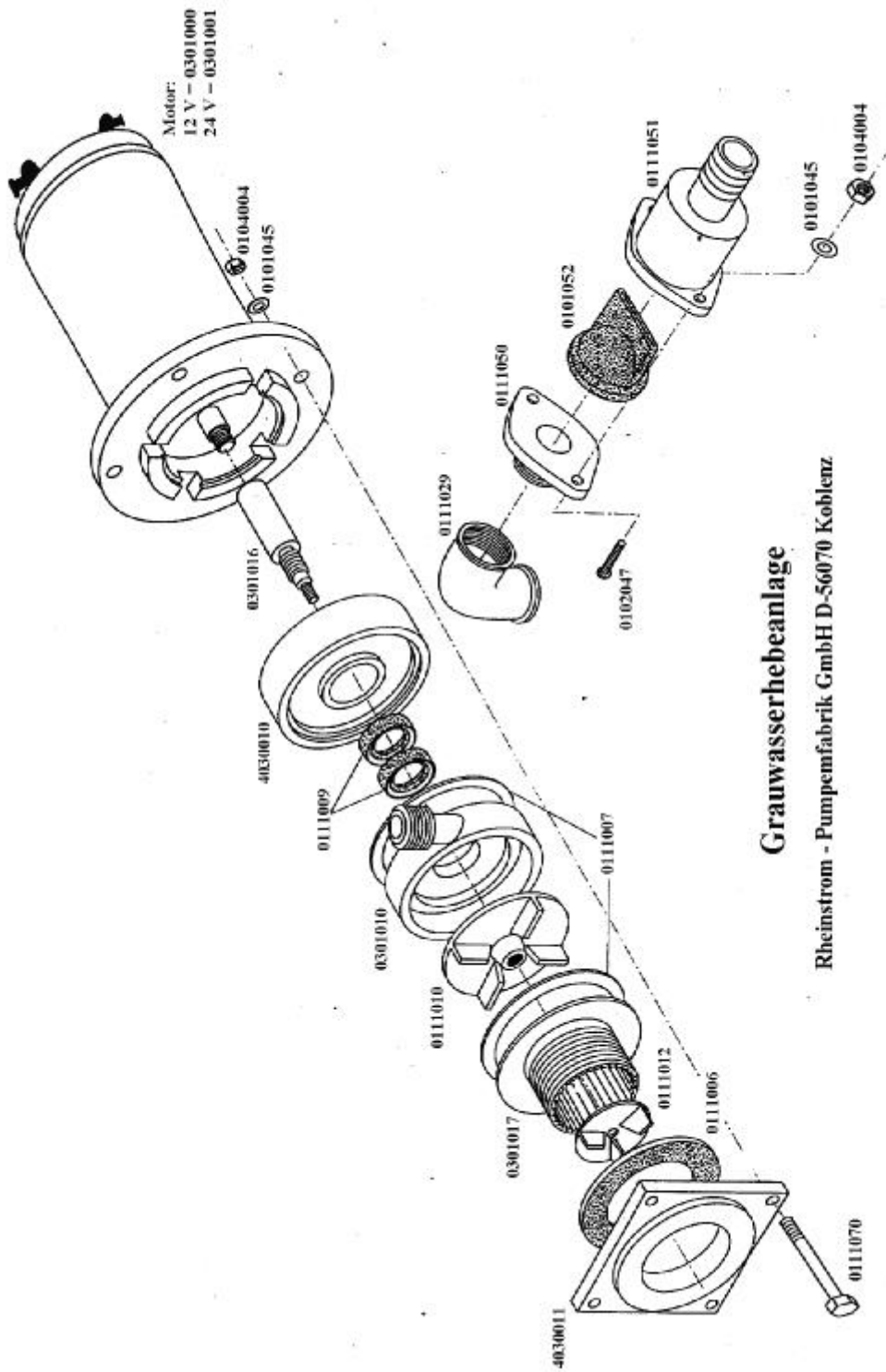
Postfach 1725

56070 Koblenz - Gemany



Grauwasserhebeanlage

Rheinstrom - Pumpenfabrik GmbH D-56070 Koblenz



Grauwasserhebeanlage
Rheinstrom - Pumpenfabrik GmbH D-56070 Koblenz



Pumpenfabrik GmbH

CE-Directions for Machinery Equipment

Manufacturer's Statement

We Rheinstrom-Pumpenfabrik GmbH
Wallerseimer Weg 13 - 19
D - 56070 Koblenz, Germany

declare, being completely responsible, that this product :

Rheinstrom – Sewage Lifting Pump

to which this statement refers to is in accordance with the Directions of Machinery Equipment corresponding to appendix No. IV (Art. 8 (2) a).

It is not allowed to take the above mentioned product into use before the unit into which the product is to be installed or connected to is declared to be in accordance with the Directory of Machinery Equipment.

Koblenz - Germany, 17.02.2003

Rheinstrom-Pumpenfabrik GmbH

W. Theisen
Technology

Rheinstrom



Pumpenfabrik GmbH

Unser weiteres Lieferprogramm

- Toiletten
- Fäkalienpumpen
- Bugstrahlruder
- Trinkwasseranlagen
- Heißwasserspeicher
- Lenzpumpen
- Deckwaschpumpen
- Schläuche
- Armaturen
- Zubehör

Fordern Sie auch den Exalto-Katalog an. Hier finden Sie alles über Wellen, Anoden, Propeller, Kupplungen, Getriebe, Schaltzüge sowie Stühle, Steuerräder, Scheibenwischer, Scheinwerfen, usw.

Rheinstrom - Pumpenfabrik GmbH

Wallerheimer Weg 13-19
56070 Koblenz - Lützel
Telefon 0049 261 82027 od. 82028,

E-Mail : info@rheinstrom-pumpen.com

Postfach 1725
56070 Koblenz - Lützel
Telefax 0049 261 82029 ,

Internet: www.rheinstrom-pumpen.com