



SPECIFICATIONS

Stroke: Input 1.75" (44 mm)
Output 1.75" (44 mm)

Output force:
233 lb. (105 kg) at 100 psi (6.9 bar)
466 lb. (211 kg) at 200 psi (13.8 bar)
699 lb. (317 kg) at 300 psi (20.7 bar)

Oil Flow:
0.24 US gal/min (0.9 l/min) at 100 psi
0.48 US gal/min (1.8 l/min) at 200 psi
0.61 US gal/min (2.3 l/min) at 300 psi

Max. Operating Pressure: 350 psi (24 bar)

Max. Operating Temperature:
250°F (120°C)

Pipe Port Size: ¼" NPT

Weight: 2.9 lb. (1.3 kg)

ORDERING INFORMATION

To order, state part number 4602.

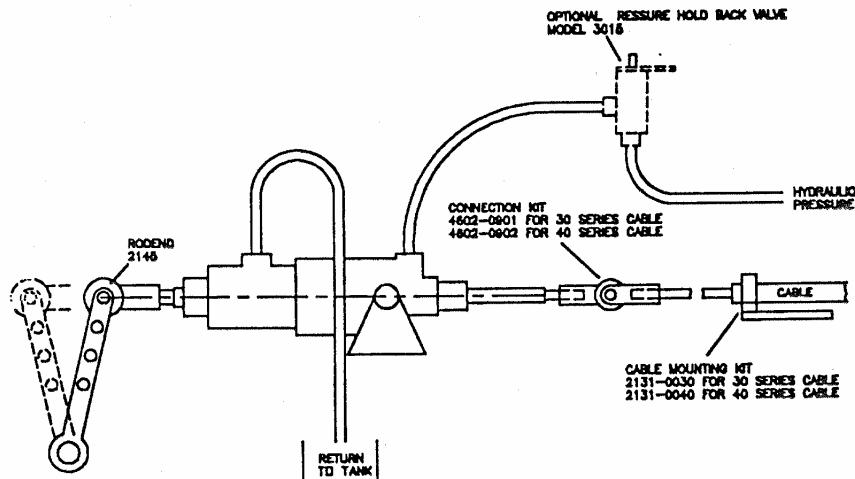
To order connection kits, specify
4602-0901 for 30 series cable;
4602-0902 for 40 series cable.

MODEL 4602 HYDRAULIC SERVO CYLINDER

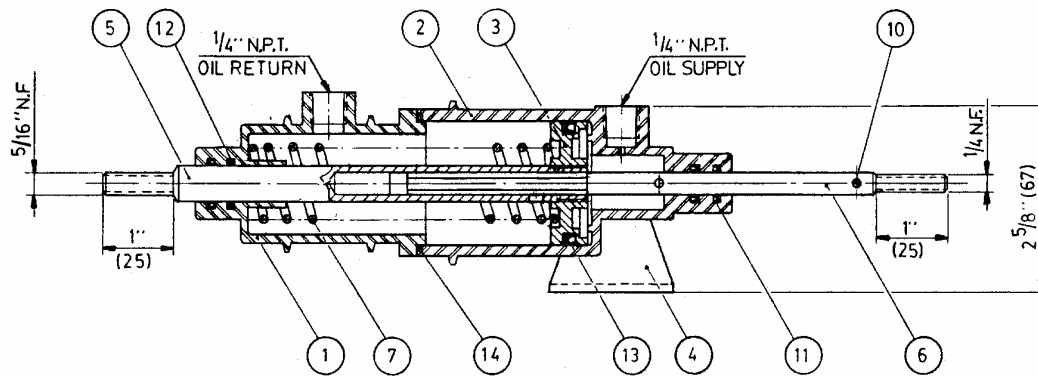
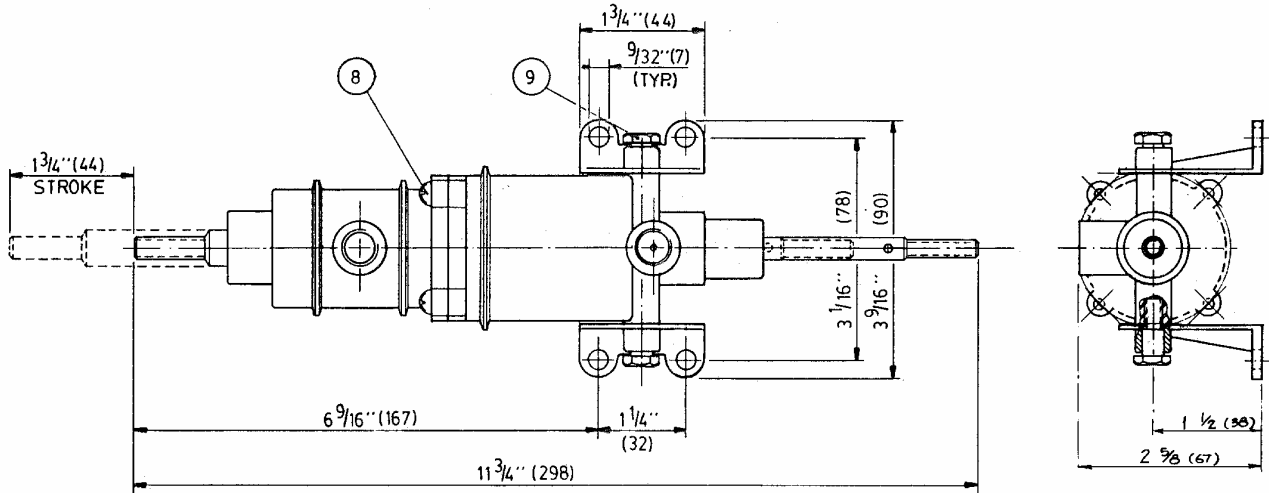
Model 4602 is a very compact and non-hunting servo cylinder. It is used to control stiff throttles (mechanical governors).

Push-pull cables are not suitable for heavy workloads as they will generate a lot of friction in the system. Control over the engine speed can therefore be very difficult. The use of a servo cylinder in such applications will provide infinite and fingertip control. The output movement is absolutely proportional to the input movement.

A 4602 servo cylinder together with a 3015 pressure hold back valve can also be used as throttle delay. This is however only possible if the gear has a differential oil pressure from neutral to the engaged position. The adjustable pressure hold back valve keeps the 4602 servo cylinder inoperative until gear engagement takes place. Once gear oil is high enough to open the 3015 valve, oil is permitted to flow to the servo cylinder activating the throttle mechanism.



DIMENSIONS AND PARTS LIST MODEL 4602



| ITEM | QUANTITY | PART NUMBER | DESCRIPTION |
|------|----------|-------------|----------------|
| 1 | 1 | 4602-0001 | Front Barrel |
| 2 | 1 | 4602-0002 | Rear Barrel |
| 3 | 1 | 4602-0003 | Piston |
| 4 | 2 | 4602-0004 | Bracket |
| 5 | 1 | 4602-0005 | Piston Rod |
| 6 | 1 | 4602-0006 | Actuator Rod |
| 7 | 1 | 1201-0137 | Spring |
| 8 | 4 | 1010-0808 | Round Hd Screw |
| 9 | 2 | 4602-0009 | Shoulder Bolt |
| 10 | 2 | 1024-0510 | Spring Pin |
| 11 | 2 | 1102-1001 | "U" Cup |
| 12 | 2 | 1102-1005 | "U" Cup |
| 13 | 1 | 1102-0052 | "U" Cup |
| 14 | 1 | 1101-0031 | "O" Ring |

All Dimensions in inches (mm)