



**MODEL 2061
ONE STATION, SINGLE
ENGINE, SINGLE LEVER,
ELECTRIC CLUTCH
CONTROL WITH
MECHANICAL PUSH PULL
FOR ENGINE SPEED**

The 2061 was designed for reverse gears with provision for electrical shift from neutral to forward and reverse. The mid handle position will provide neutral. The two micro switches controlled by the main cam have a maximum current capacity of 5 Amp. at 250 VAC. The speed control cable can be either of the 30 or 40 series (see ordering information for adaptor kits). There are four different connecting points for the speed control cable with maximum strokes as indicated in the drawing on the back page). The travel stop screws will permit reduction of the maximum handle travel for fine adjustment. This control head is also equipped with an adjustable detent for all gear positions as well as an adjustable friction plug.

FEATURES

- ? Made from corrosion free die cast silicon brass with stainless steel hardware
- ? With removable dome for ease of installation
- ? Optional safety switch which prevents engine starting unless control head is in neutral (center) position. Available either pre-installed or in kit form.

ORDERING INFORMATION

Model Designations:

- K – with chrome finish cover and handle
- L – with satin brass finish cover and handle
- M – with black epoxy finish cover and chrome handle
- N – one long handle with detent
- NN – one long handle with friction and detent
- P – one short handle with detent
- PP – one short handle with friction and detent
- H – with one neutral safety switch

The standard Model 2061 control head is supplied as follows:-

- I. With one long handle with friction and detent
- II. Without neutral safety switch
- III. With chrome finish cover and handle

To order, state Model number followed by designation letter codes:

Example: Standard 2061 control head, ordering number is 2061-KNN

NOTE:

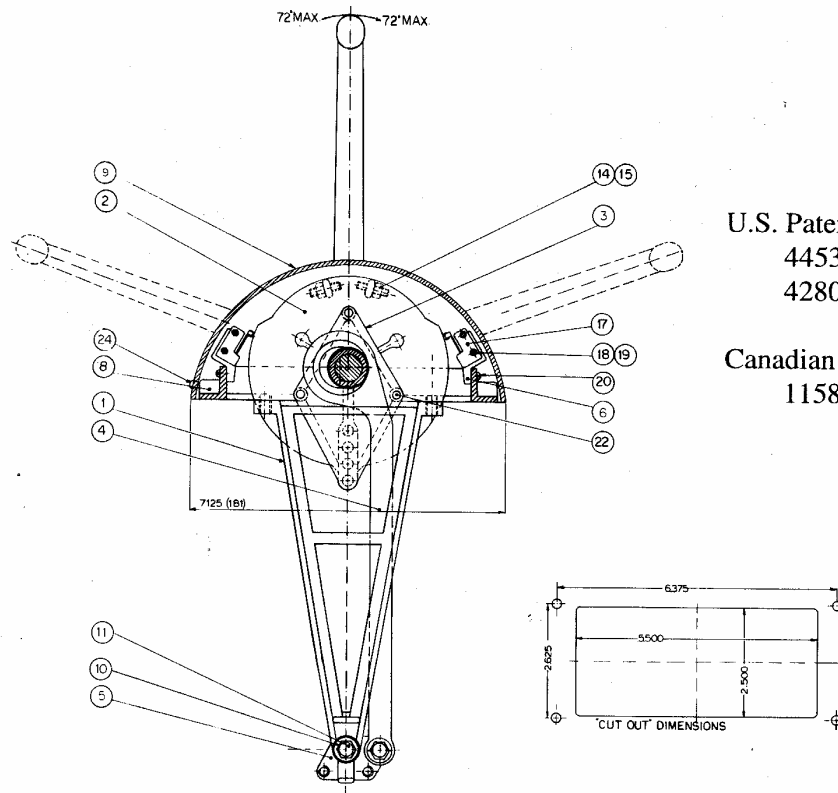
Cable connector kits are ordered separately. Each Push Pull cable end attached to the control head requires one kit.

Ordering Numbers:

- 2061-0901 No. 10-32 (30 series)
- 2061-0902 ¼-28 (40 series) connector kit
- 2061-0903 Neutral safety switch kit

Weight: 7 lbs (3.2 kg)

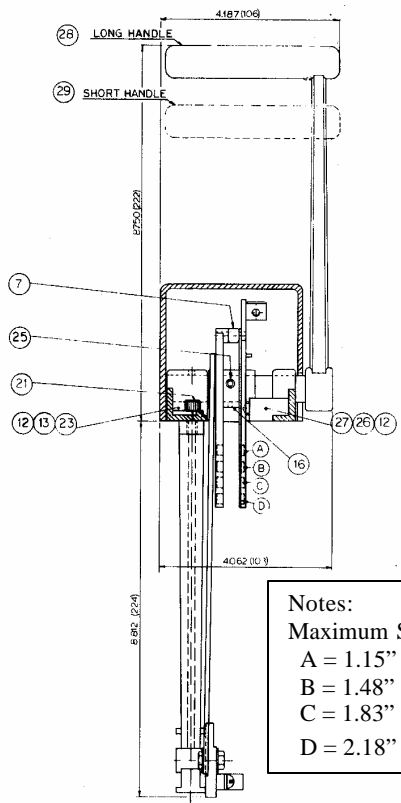
MODEL 2061



U.S. Patent Numbers
4453428
4280371

Canadian Patent Numbers
1158136

ALL DIMENSIONS IN INCHES (MM)



Notes:
Maximum Stroke in Holes
A = 1.15"
B = 1.48"
C = 1.83"
D = 2.18"

ITEM	QTY	PART NO.	DESCRIPTION
1	1	2061-0001	Support
2	1	2061-0002	Pivot Plate
3	1	2061-0003	Retainer Plate
4	1	2061-0004	Lever
5	1	2061-0005	Cable Adaptor Swivel
6	2	2061-0006	Micro Switch Adaptor
7	1	2061-0007	Spacer
8	1	2006-0001	Frame
9	1	2006-0002	Dome
10	3	1023-0112	Washer
11	3	1001-1005	Hex Hd. Cap Screw
12	2	1016-1204	Set Screw
13	1	1201-0003	Spring
14	2	1016-0808	Set Screw
15	2	1022-0108	Nut
16	1	1016-0804	Set Screw
17	4	311-SM6-T	Micro Switch
18	4	1004-0208	Round Hd Slotted Cap Screw
19	4	1022-0102	Nut
20	2	1010-0606	Round Hd Philips Cap Screw
21	2	1002-1010	Socket Hd Cap Screw
22	3	1015-0808	Flat Hd Socket Cap Screw
23	1	2009-0011	Detent Plunger
24	2	1011-0808	Oval Hd Philips Cap Screw
25	1	1024-0814	Spring Pin
26	1	1201-0002	Spring
27	1	2542-0008	Friction Plug
28	1*	2545-0014	Long Handle
29	1*	2545-0005	Short Handle