

## MODEL 2010 2 3/8" STROKE TWO HANDLE PUSH PULL CONTROL HEAD

Model 2010 is a medium duty push pull control. It is available with either standard handles or handles with plastic grips. Due to its maximum stroke of 2 3/8" it is not recommended for multi-stations or outboard-engines.

### FEATURES:

- Corrosion free die cast silicon bronze and stainless steel hardware
- 2 adjustable stroke ranges up to 2 3/8 inches
- Suitable for 30 series and 40 series cables
- LARGE center bearings
  - No lost motion
  - High strength
  - Low wear and long life
- Removable dome for easy head and cable installation
- Independent friction and detent (standard) are adjustable and removable
- Operating quadrants are positively pin-fastened to handle shaft for safety
- Optional safety switch, which prevents engine starting unless control head is in neutral (centre) position, is available either pre-installed or in kit form
- Self-adhesive labels, instructions and a cutout template are included

### ORDERING INFORMATION

- A - One short handle with friction and one long handle with detent
- AA - One short handle with friction and one long handle with friction
- B - Two long handles with detent
- C - Two long handles with friction
- D - Two long handles with one detent and one friction
- E - Two short handles with detent
- F - Two short handles with friction
- G - Two short handles with one detent and one friction
- \*H - With one neutral safety switch
- \*J - With two neutral safety switches
- K - With chrome finish cover and handles
- L - With polished brass finish cover and handles
- M - With black epoxy finish cover and chrome handles
- V - With red or black plastic grips

The standard model 2010 control head is supplied as follows:

- i. One short handle with friction and one long handle with detent
- ii. With chrome finish cover and handles
- iii. Without neutral safety switch

To order, state model number followed by Model Designation letter codes.

Example: A standard model 2010 control head would be 2010-AK

### Note:

Cable connector kits are ordered separately. Each push pull cable end attached to the control head requires one kit.

### Accessories Ordering Numbers:

- 2010-0901 Connector Kit (30 series cable)
- 2010-0902 Connector Kit (40 series cable)
- 2010-0903 Neutral Safety Switch Kit

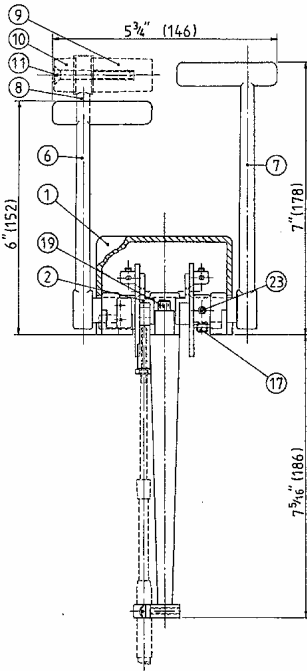
Weight: 5 lbs. (2.3 kg)

\* Neutral safety switch is normally installed with detented handle.

U.S. Pat. No. 4280371

CAN Pat. No. 1158136

## 2010 Dimensions and Parts List



Item	Qty	Part Number	Description
1	1	2010-0001	Dome
2	2	2010-0002	Pin retainer
3	2	2010-0003	Pivot plate
4	1	2010-0007	Frame
5	1	2010-0008	Support
6	*1	2010-0011	Short handle (standard)
7	*1	2010-0012	Long handle (standard)
8	*1	2010-2011	Short handle (plastic grip)
8	*1	2010-2012	Long handle (plastic grip)
9	*1	2111-0001B	Plastic grip, black
9	*1	2111-0001R	Plastic grip, red
10	*1	2111-0004B	Grip end, black
10	*1	2111-0004R	Grip end, red
11	*2	1011-1028	Oval head screw
12	*1	2010-0010	Detent pin
13	*1	2542-0008	Friction pad
14	*1	1201-0002	Spring
15	*1	1201-0003	Spring
16	2	1016-1204	Set screw
17	2	1016-0804	Set screw
18	4	1016-0808	Set screw
19	2	1002-1014	Socket head screw
20	2	1005-0808	Oval head screw
21	4	1009-0808	Flat head screw
22	4	1022-0108	Nut
23	2	1024-0816	Spring pin
<b>2010-0901 (30 series) Connection Kit</b>			
24	1	2107-0001	Clevis
25	1	2108-0001	Clamp
26	1	1037-0407	Pin
27	2	1010-0806	Round head screw
<b>2010-0902 (40 series) connection Kit</b>			
24	1	2106-0002	Clevis
25	1	2108-0002	Clamp
26	1	1037-0407	Pin
27	2	1010-0812	Round head screw
28	1	1016-0804	Set screw
<b>2010-0903 Neutral Safety Switch Kit</b>			
29	1	1901-0001	Micro switch
30	2	1004-0208	Round head screw
31	2	1022-0102	Nut

\* Quantity may vary with option

