

THETFORD

TECMA

EXCELLENCE ON BOARD

TECMA TECHNICAL HANDBOOK
a reference guide for designers, builders and operators

Thetford - Tecma

Thetford has been creating, supplying and caring for its high quality products for more than 50 years. The group is recognized as the world market leader in mobile sanitary systems, refrigerators, cooking equipment and toilet additives. Tecma is the marine sanitation division of Thetford.

Tecma is known worldwide as the manufacturer of the finest china toilets. Known for their beautiful styling, Tecma toilets also feature a quiet, reliable, yet powerful waste transfer system which allows holding tanks and toilets to be placed anywhere on board.

THETFORD

TECMA
EXCELLENCE ON BOARD

100% QUALITY

Incoming goods:

- severe quality check on all incoming goods
- quality check on each ceramic components

Assembly testing:

- functional test on each macerator pump sub-assembly
- functional test on each control panel
- functional test on each valve and other sub-assemblies
- functional test on each complete toilet system before packaging
- testing machine assessment for regulation compliance



index

.. SECTION 1 - GENERAL SYSTEM OVERVIEW	
Main system components - How it works	.. 2
Tecma system benefits	.. 3
Single system - Centralized system	.. 4
Product configuration guideline	.. 5
.. SECTION 2 - SYSTEM TECHNICAL DETAILS	
Design and Flexi range technical details	.. 6
Compact range technical details	.. 8
.. SECTION 3 - PRODUCT DESCRIPTION	
Design range:	.. 9
Xlight/Privilege/Evolution/Breeze/E-Breeze	
Flexi range:	.. 13
Silence Plus / Saninautico / Elegance / Prestige	
Compact and Portable range:	.. 17
Compass / Easyfit / Comfortmate / Porta Potti	
Sanisplit NK – gray water transfer pump	.. 20
Accessories and components	.. 21
.. SECTION 4 - PLUMBING AND WIRING DIAGRAMS	
Design and Flexi range wiring and plumbing diagrams	.. 22
Compact range wiring and plumbing diagrams	.. 29
.. SECTION 5 - SPARES	
Design and Flexi range spares	.. 30
Compact range spares	.. 32
Sanisplit NK spares	.. 32

Main system components

The standard system is packed and delivered complete of all three components, ready to be installed with fast and easy plug and play electrical connectors and standard size hose fittings, for clean water inlet and waste water outlet. Accessories or optional features are available and can be ordered in addition.



China toilet complete of seat and cover and integrated **macerator pump** for waste pump out



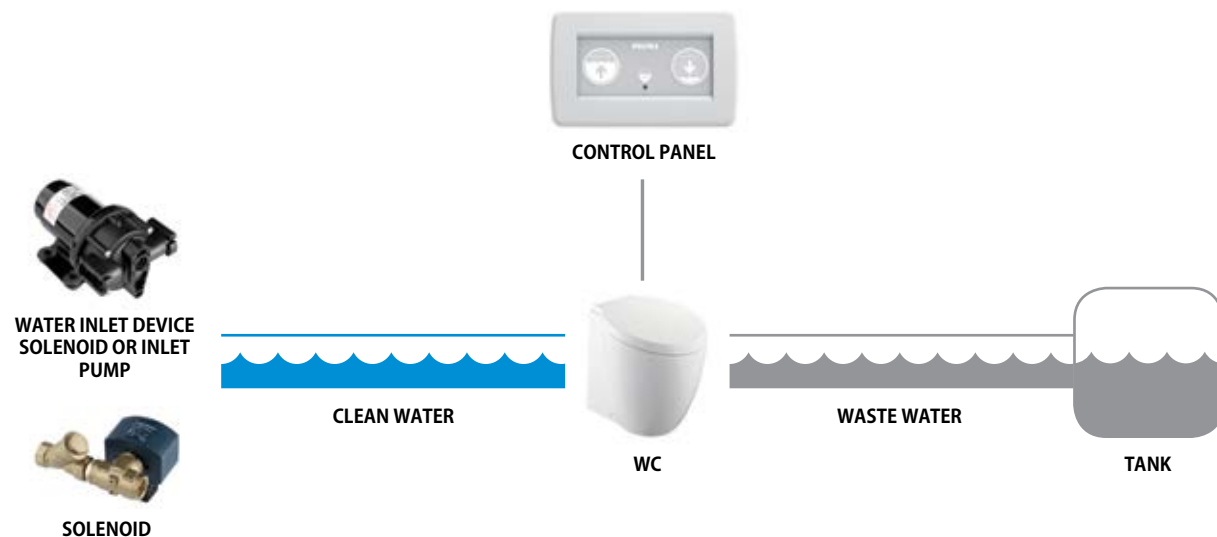
Control panel / user interface



Clean water inlet device / solenoid or dedicated pump

How it works

- The water inlet device delivers clean water to the inside of the toilet bowl.
- The macerator pump, integrated in the ceramic toilet, grinds the waste and then moves it to the black water holding tank.
- The flush cycle is activated by pressing the control panel buttons.



Tecma system benefits

Top design, quality components and production and an uncompromising attitude and fast response to client needs have given the company its leading position.

- Award winning products
- Experienced design team
- High quality components
- Reliable operation
- Easy and fast installation
- Water and power saving
- Extremely silent operation
- Global service network

The cutting blades fragmentize all the waste

- Macerator chamber before the impeller
- Easier waste treatment process
- No clogs



Special hoses shape and two "one-way valve" are strategically positioned

- Water traps of clean water
- Prevents backflow
- NO bad odours



Innovative spray nozzle maximize hygiene

- High-pressure water jet
- Faster and better cleaning
- 100% bowl coverage



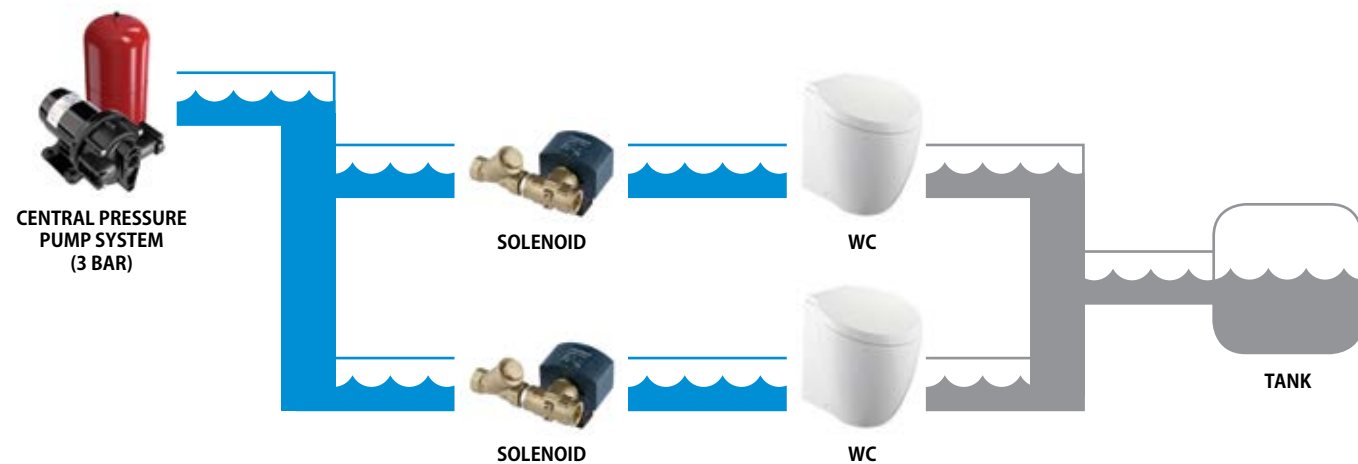
Single system

The clean water that will flush the toilet is supplied by a dedicated pump that usually is connected either to a fresh water tank or trough-hull. When the control panel is activated the pump will start working to deliver clean water inside the toilet bowl.



Centralized system

The clean water that will flush the toilet, is supplied by a central pumping device or accumulator, that is connected either to a fresh water tank or trough-hull. Each toilet has a dedicated solenoid. When the control panel is activated the solenoid will open the gear to supply clean water inside the bowl.



Product configuration guidelines


This is a simple guideline that will help the configuration process of the product. Tecma offers the possibility of configuring the product to make it fit with the interior of the yacht on which this will be installed. Each component can be configured according to specifications. Follow this scheme and refer to the technical data reported in section 3.0 and section 4.0 for more details.

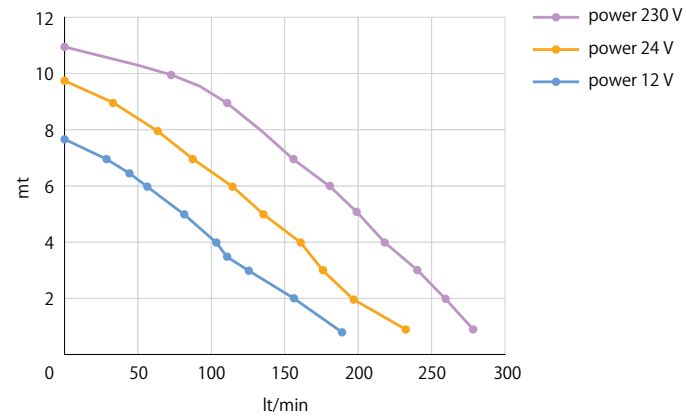
- 1 Choose product range
- 2 Choose toilet shape and geometry
- 3 Choose macerator pump power supply and check pumping performance
- 4 Choose water inlet device
- 5 Choose control panel
- 6 Choose ceramic color
- 7 Choose seat and cover configuration
- 8 Choose bidet option and faucet
- 9 Choose other system components and accessories


Overview


	MACERATOR PUMP	CONTROL PANEL	WATER INLET DEVICE
DESIGN RANGE	Macerator: MAC 11	standard multiframe argent touch	solenoid brass/ inlet pump
FLEXI RANGE		premium premium touch	
COMPACT RANGE	Macerator: MAC4 Manual	eco/premium/ premium plus	solenoid /inlet pump
PORTABLE RANGE	Additives	/	/

Design & Flexi range technical details

 MAC 11 outlet pump macerator turbine	12V dc	24V dc	230V ac
Fuse recommended	40 A	35 A	5 A
Clean water inlet connection	¾" ID – 20 mm		
Outlet pipe connection	1 ½" ID – DN40		
Pump performance	Max 270 l/min - Max vertical head 11 mt - Max horizontal distance 90 mt		



 SOLENOID BRASS inlet solenoid (brass) centralized system	12V dc	24V dc	230V ac
Working pressure recommended	3 bar	3 bar	3 bar
Power	80 W - 7 A	80 W - 3 A	19 VA

 INLET PUMP inlet pump single system	12V dc	24V dc
Fuse	8 A	4 A
Pressure	45 PSI – 3 bar	
Water flow	3.2 US GPM – 12 L/min	

Control Panels overview

STANDARD CONTROL PANELS

ALL IN ONE

The switch and the controller are fully contained in a wall mounted box. Standard.

SPLIT

The switch is wall mounted and the controller is installed remotely. Multiframe, Argent, Touch.

ONE BUTTON VERSION

Flush is activated by a single button "After Use". Toilet refills automatically ready for next use. Tank level monitoring led and water amount trim.

TWO BUTTONS VERSION

Flush is activated by two buttons "Before use" and "After Use". Toilet remains empty for navigation. Tank level monitoring led and water amount trim.

PREMIUM CONTROL PANELS - SMART FLUSH TECHNOLOGY

The smart flush technology is one of the latest patented innovations introduced by Tecma. The system is Split with wall switch and remote controller. It is programmed to "read and adjust" the working condition of the macerator pump. This special feature eliminates any introduction of air in the pump body that usually generates noise cavitation. It also minimizes the consumption of water and power. The wall switch can be an electronic silicon pad or an advanced touch panel.

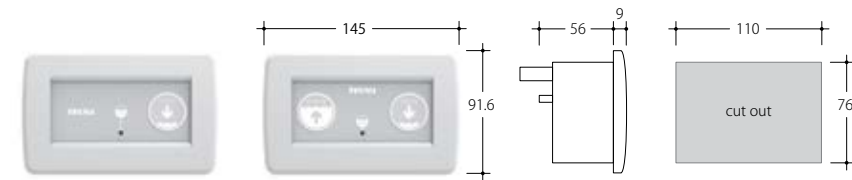
- **Electronic water amount setup** - press both buttons for more than 7 seconds to trim water
- **Two different operation modes: sailing mode** (similar to two buttons version) **mooring mode** (same function of 1 button version) - press both buttons for more than 3 and less than 7 seconds to switch
- **Water overflow protection** - after 12 seconds (total) water inlet button is deactivated, flush is needed
- **Emergency flush** - press both buttons for less than 3 seconds to flush without adding water
- **Tank monitoring system** - green/yellow/red led indicators show black water tank status
- **System lock and unlock function** - press both buttons twice simultaneously to lock/unlock

TECMA TOUCH PANEL

This device has been expressly designed for marine environments. It is built with high quality components, it is heavy duty, fully certified and patented.

- **Glass cleaning function** - You can deactivate the panel for 15 sec for cleaning purposes
- **Led Backlight set up** - You can set the led back light always on, always off, proximity sensor

STANDARD - Standard control panel all-in-one.



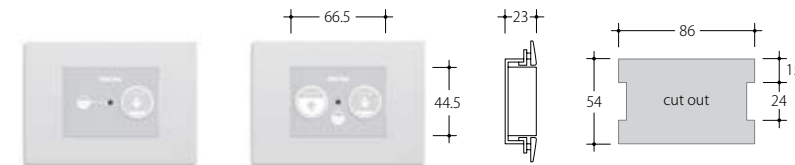
Frame color: ● black ○ white

Background color: ● gray **Optional:** ○ white ● cream



Note: compatible with Tecma pneumatic sensor or other N.A. switch type sensor.

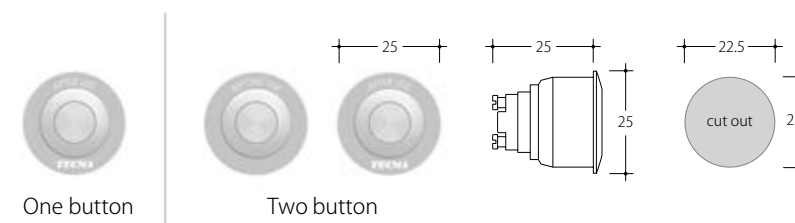
MULTIFRAME - Compatible with all commercial bezels.



Frame color: ○ white

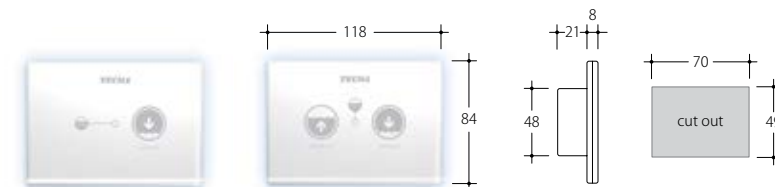
Background color: ● gray

ARGENT - Elegant metal push button.



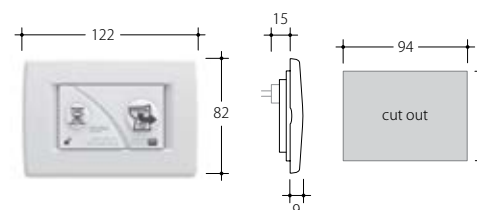
Background color: ● gray

TOUCH - Ultimate hi-tech glass touch panel.



Background color: ● black ○ white

PREMIUM - Patented silicon pad control panel with software.



Frame and background color: ○ white

PREMIUM TOUCH - Ultimate patented hi-tech glass touch panel with software.



* See Touch technical drawing




Note: compatible with Tecma pneumatic sensor or other N.A. switch type sensor.

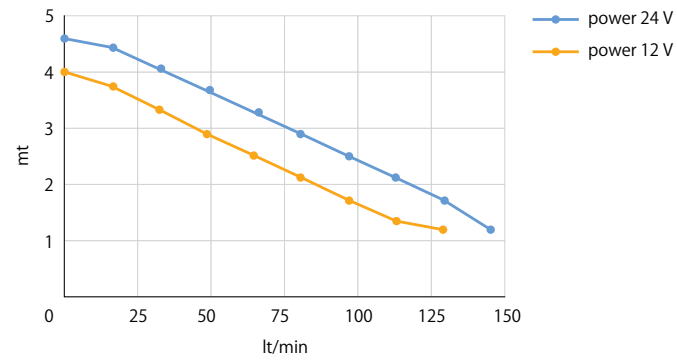



Note: compatible with Tecma pneumatic and inductive sensor or with commercial sensor (see STA adaptor details).


Note: all measure are in mm

Compact range technical details

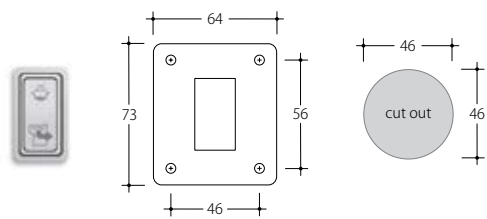
	MAC 4 outlet pump macerator turbine	12V dc	24V dc
Fuse recommended		30 A	20 A
Inlet pipe	¾" ID – 20 mm		
Outlet pipe	1 ½" ID – DN 40		
Pump performance	Max vertical head 4 mt - Max horizontal distance 40 mt		



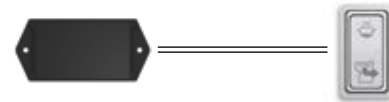
	SOLENOID centralized system	12V dc	24V dc
Power		10 W - 0.9 A	80 W - 3 A
Pressure recommended	3 bar		

	INLET PUMP inlet pump single system	12V dc	24V dc
Fuse		8 A	4 A
Pressure	45 PSI – 3 bar		
Water flow	3.2 US GPM – 12 L/min		

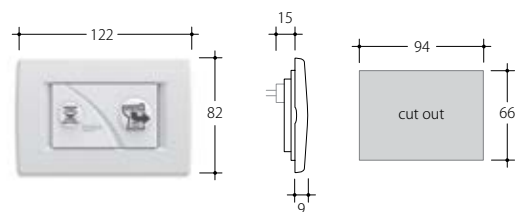
ECO - Standard rocker switch.



Color: ○ white



PREMIUM - Silicon electronic control panel.

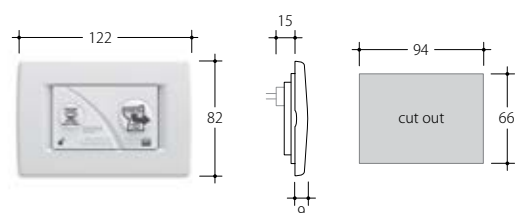


Frame color: ○ white **Background color:** ○ white



Note: no tank monitor.

PREMIUM PLUS - Silicon control panel with tank monitoring.



Frame color: ○ white **Background color:** ○ white



Note: compatible with Tecma inductive sensor or with commercial sensor.

Note: all measure are in mm



Design range



- .. X light
- .. Privilige
- .. Evolution
- .. Breeze
- .. E-breeze

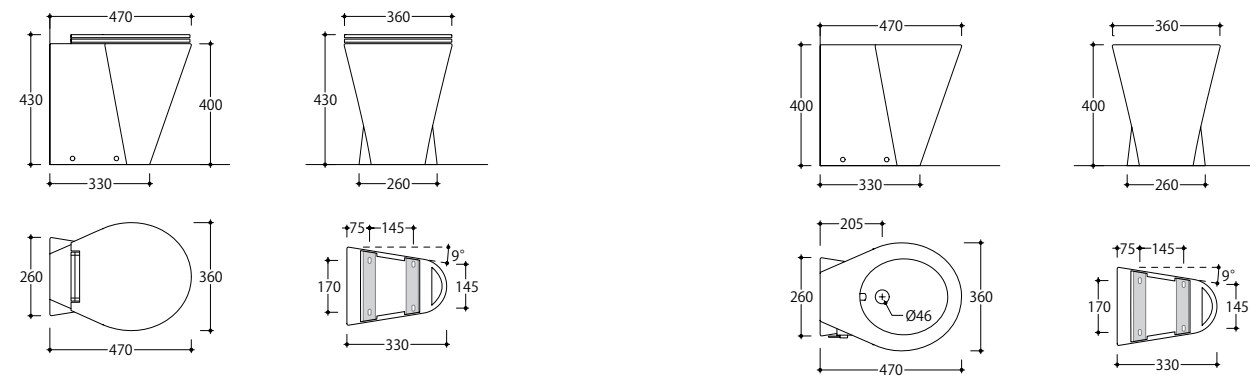
X-Light



- WC WEIGHT - 6,6 kg
- WATER USAGE - 0,5 / 2.7 L
- FEATURE - full carbon fibre
- MATCHING BIDET - yes
- INTEGRATED BIDET - no



- BIDET WEIGHT - 2 kg
- FEATURE - full carbon fibre



COLOR (for wc & bidet)		SEAT AND COVER		OUTLET PUMP		CONTROL PANEL		INLET DEVICE	
standard	optional	standard	optional	standard	optional	standard	optional	standard	optional
carbon look	RAL	carbon look	RAL	12-24 v MAC11	230 v MAC11	all in one	multiframe/argent/ touch/premium	solenoid brass	inlet pump

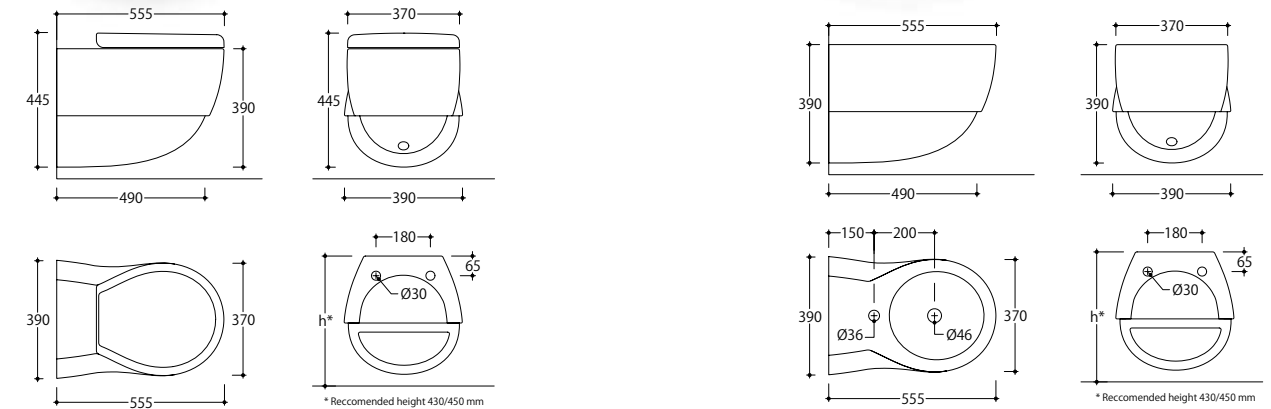
Evolution



- WC WEIGHT - 27 kg
- WATER USAGE - 0,5 / 2.7 L
- FEATURE - suspended
- MATCHING BIDET - yes
- INTEGRATED BIDET - yes / wall mounted mixer



- BIDET WEIGHT - 22 kg
- FEATURE - suspended



COLOR (for wc & bidet)		SEAT AND COVER		OUTLET PUMP		CONTROL PANEL		INLET DEVICE	
standard	optional	standard	optional	standard	optional	standard	optional	standard	optional
white	pergamon / black	soft closing		12-24 v MAC11	230 v MAC11	all in one	multiframe/argent/ touch/premium	solenoid brass	inlet pump

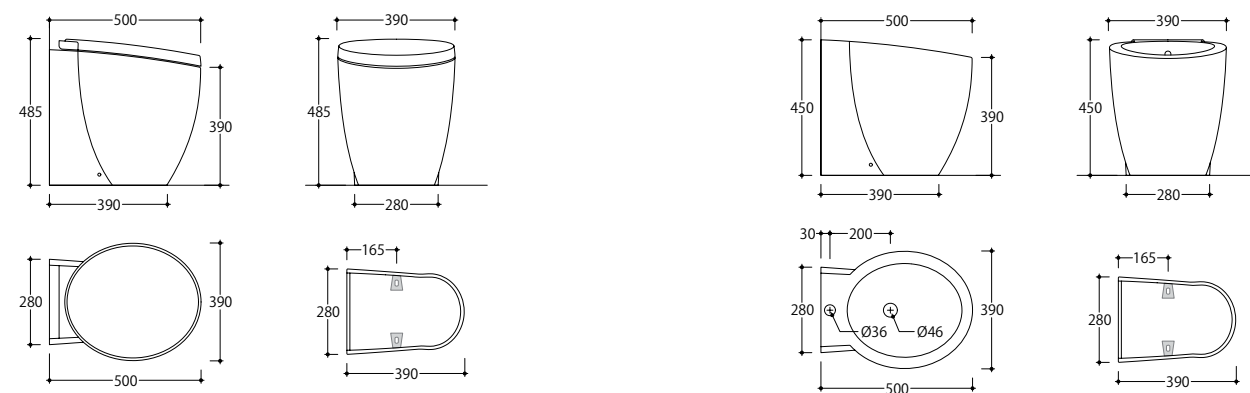
Privilege



- WC WEIGHT - 28 kg
- WATER USAGE - 0,5 / 2.7 L
- FEATURE - ultra design
- MATCHING BIDET - yes
- INTEGRATED BIDET - yes / wall mounted mixer



- BIDET WEIGHT - 22 kg
- FEATURE - ultra design



COLOR (for wc & bidet)		SEAT AND COVER		OUTLET PUMP		CONTROL PANEL		INLET DEVICE	
standard	optional	standard	optional	standard	optional	standard	optional	standard	optional
white	standard and special	soft closing		12-24 v MAC11	230 v MAC11	all in one	multiframe/argent/ touch/premium	solenoid brass	inlet pump

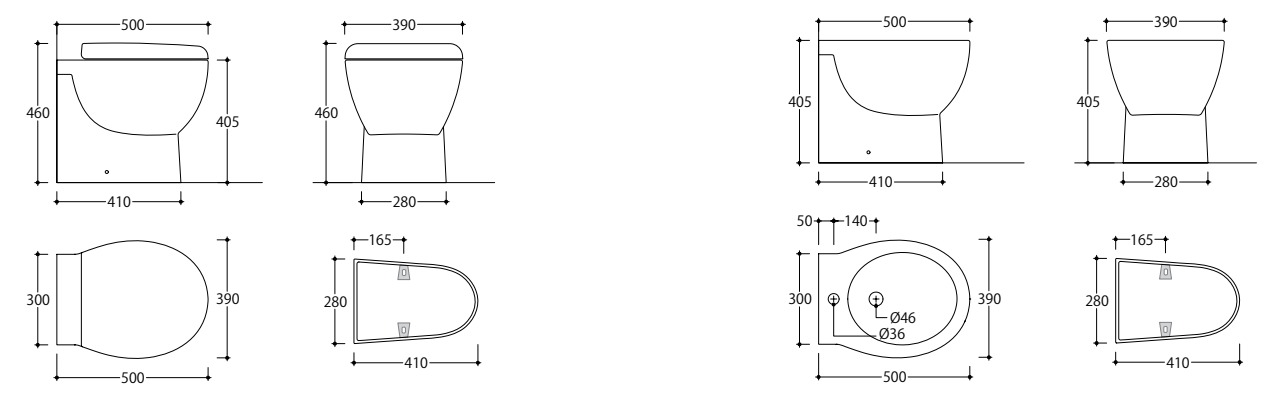
Breeze



- WC WEIGHT - 27 kg
- WATER USAGE - 0,5 / 2.7 L
- FEATURE - smooth design
- MATCHING BIDET - yes
- INTEGRATED BIDET - yes integrated mixer



- BIDET WEIGHT - 16 kg
- FEATURE - smooth design

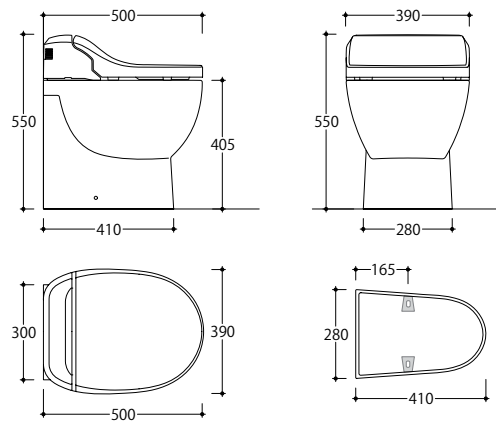


COLOR (for wc & bidet)		SEAT AND COVER		OUTLET PUMP		CONTROL PANEL		INLET DEVICE	
standard	optional	standard	optional	standard	optional	standard	optional	standard	optional
white	pergamon	quick release soft closing		12-24 v MAC11	230 v MAC11	all in one	multiframe/argent/ touch/premium	solenoid brass	inlet pump

E-Breeze



- WC WEIGHT - 30 kg
- WATER USAGE - 0,5 / 2.7 L
- FEATURE - smooth design

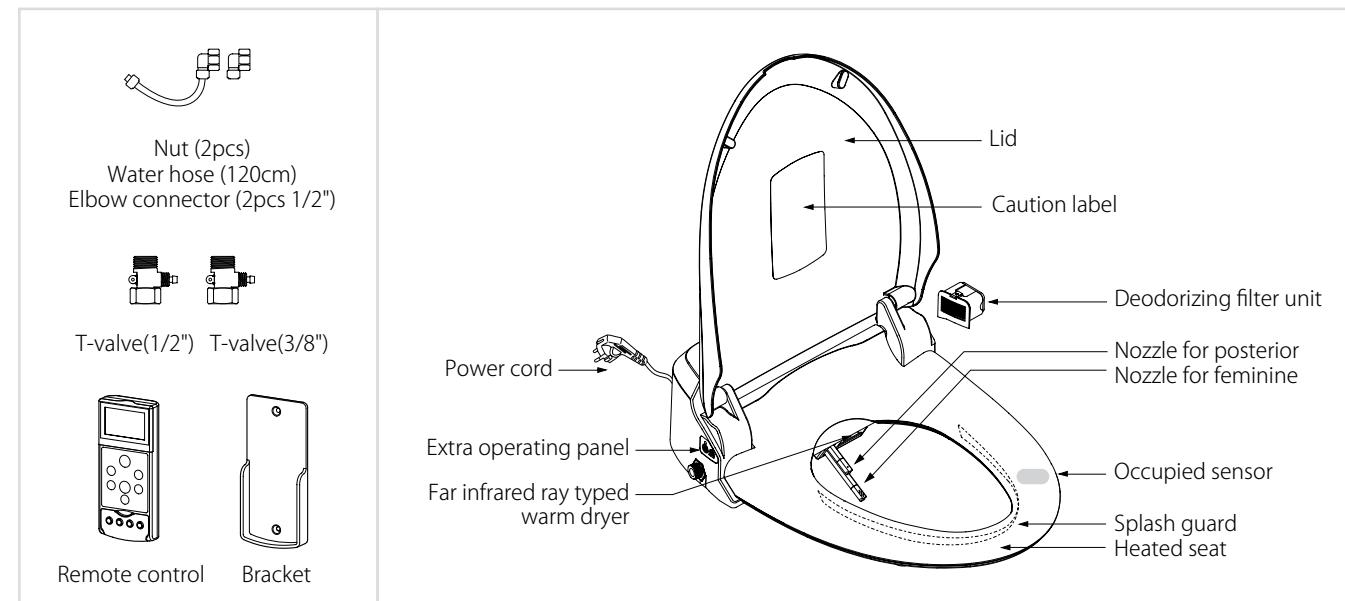


ELECTRONIC BIDET TECHNICAL DETAILS

Personalized controls	Wireless Remote Control – Batteries (AAA x 3)	
Power supply	AC 220 ~ 240 V 50 Hz	
Maximum power consumption	1160 ~ 1380 W	
Tap water pressure	0.79 - 7.40 Atm	
Heated seat	Temperature	Adjustable (3 levels) / 34 °C - 40 °C
	Safety device	Temp. fuse
	Power consumption	55 ~ 65 W
Hygiene	Temperature	Adjustable (3 levels) / 34 °C - 40 °C
	Water spray	Adjustable (5 levels - max 1 l/min)
	Safety devices	Temp fuse / Thermal switch / Floating switch
	Power consumption	1100 ~ 1309 W
Air dryer	Temperature	Adjustable (5 levels)
	Safety device	Temp. fuse
	Power consumption	280 ~ 333 W
Electricity safety protection	15 mA - GFCI	
Power cord lenght (mm)	1800 mm	
N° of wands	2	
Degree of Protection: IP 24		

Note: For Macerator toilet details see Breeze model

ELECTRONIC BIDET AND COMPONENTS



Flexi range

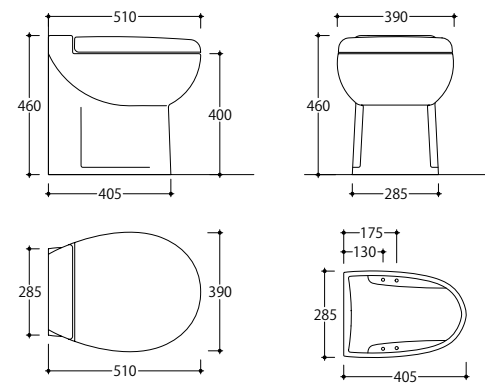


- .. Silence Plus
- .. Silence Plus short
- .. Saninautico
- .. Saninautico short
- .. Elegance
- .. Elegance cut
- .. Elegance short
- .. Elegance cut short
- .. Prestige 45
- .. Prestige 50
- .. Bidet

Silence Plus



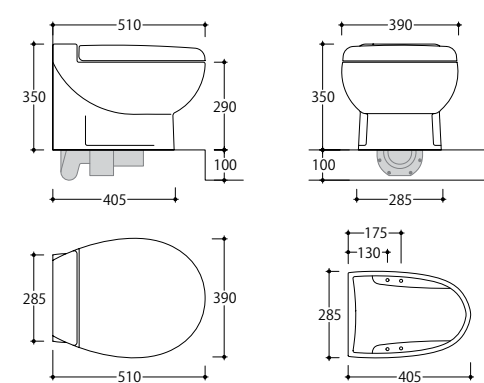
- WC WEIGHT - 26,5 kg
- WATER USAGE - 0,5 / 2,7 L
- FEATURE - big seat size
- MATCHING BIDET - yes
- INTEGRATED BIDET - yes integrated mixer



Silence Plus Short



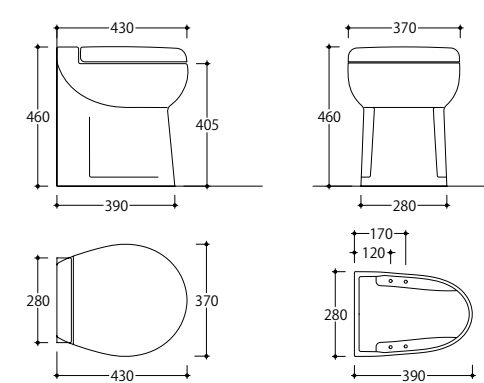
- WC WEIGHT - 24,5 kg
- WATER USAGE - 1,3 / 2,5 L
- FEATURE - big seat size
- MATCHING BIDET - yes
- INTEGRATED BIDET - yes integrated mixer



Elegance



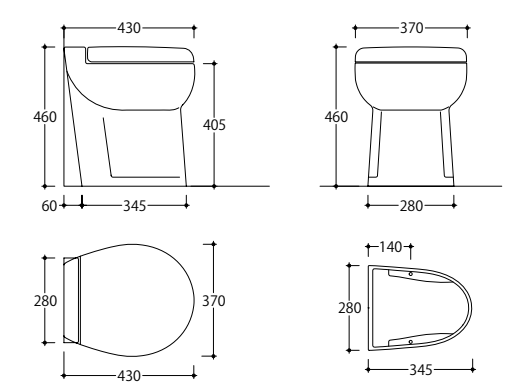
- WC WEIGHT - 23,5 kg
- WATER USAGE - 0,5 / 2,7 L
- FEATURE - small seat size
- MATCHING BIDET - yes
- INTEGRATED BIDET - yes integrated mixer



Elegance Cut



- WC WEIGHT - 23 kg
- WATER USAGE - 1,3 / 2,5 L
- FEATURE - small seat size
- MATCHING BIDET - yes
- INTEGRATED BIDET - yes integrated mixer

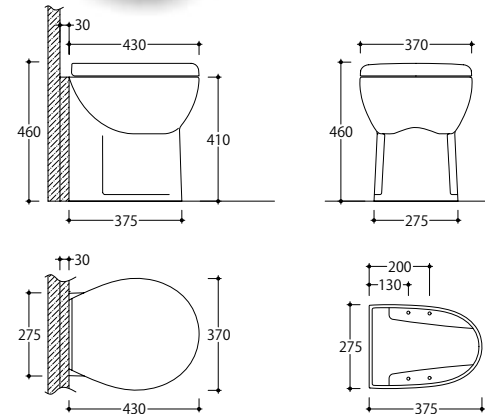


COLOR		SEAT AND COVER		OUTLET PUMP		CONTROL PANEL		INLET DEVICE	
standard	optional	standard	optional	standard	optional	standard	optional	standard	optional
white	pergamon / black	thermoset / polyest.	soft closing / walnut	12-24 v MAC11	230 v MAC11	all in one	multiframe/argent / touch/premium	solenoid brass	inlet pump

Saninautico



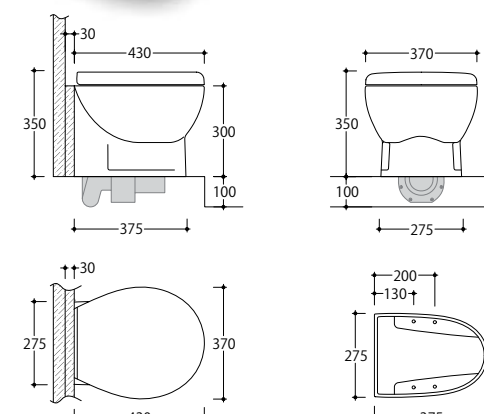
- WC WEIGHT - 23,5 Kg
- WATER USAGE - 0,5 / 2,7 L
- FEATURE - medium seat size
- MATCHING BIDET - yes
- INTEGRATED BIDET - yes integrated mixer



Saninautico Short



- WC WEIGHT - 20 Kg
- WATER USAGE - 1,3 / 2,5 L
- FEATURE - medium seat size
- MATCHING BIDET - yes
- INTEGRATED BIDET - yes integrated mixer

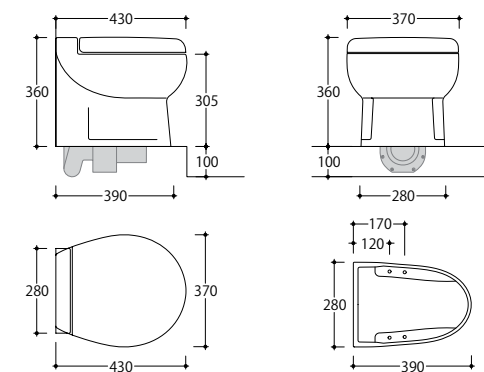


COLOR		SEAT AND COVER		OUTLET PUMP		CONTROL PANEL		INLET DEVICE	
standard	optional	standard	optional	standard	optional	standard	optional	standard	optional
white	pergamon / black	thermoset / polyest.	soft closing / walnut	12-24 v MAC11	230 v MAC11	all in one	multiframe/argent / touch/premium	solenoid brass	inlet pump

Elegance Short



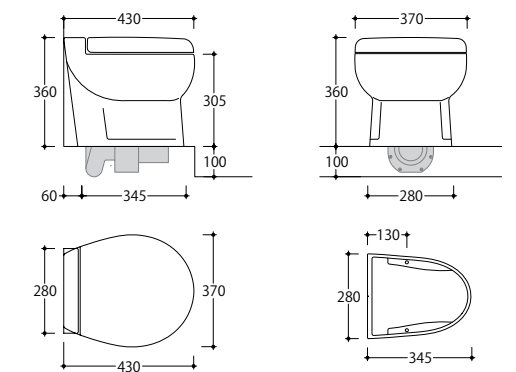
- WC WEIGHT - 20,5 kg
- WATER USAGE - 0,5 / 2,7 L
- FEATURE - small seat size
- MATCHING BIDET - yes
- INTEGRATED BIDET - yes integrated mixer



Elegance Cut Short



- WC WEIGHT - 19,9 kg
- WATER USAGE - 0,5 / 2 L
- FEATURE - small seat size
- MATCHING BIDET - yes
- INTEGRATED BIDET - yes integrated mixer

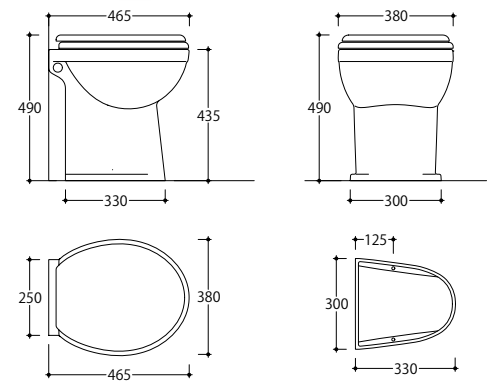


COLOR		SEAT AND COVER		OUTLET PUMP		CONTROL PANEL		INLET DEVICE	
standard	optional	standard	optional	standard	optional	standard	optional	standard	optional
white	pergamon / black	thermoset / polyest.	soft closing / walnut	12-24 v MAC11	230 v MAC11	all in one	multiframe/argent / touch/premium	solenoid brass	inlet pump

Prestige 45



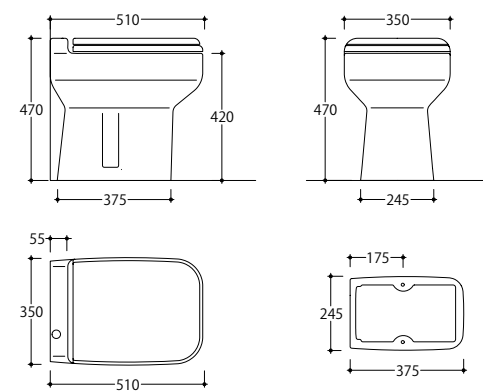
- WC WEIGHT - 22,5 kg
- WATER USAGE - 0,5 / 2 L
- FEATURE - home like



Prestige 50



- WC WEIGHT - 26,8 kg
- WATER USAGE - 0,5 / 2 L
- FEATURE - home like

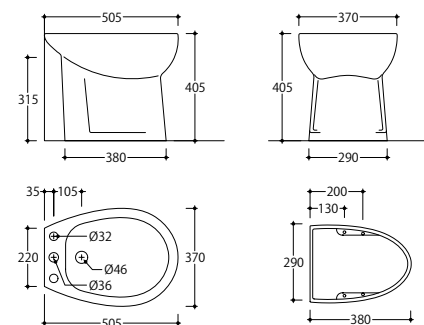


COLOR		SEAT AND COVER		OUTLET PUMP		CONTROL PANEL		INLET DEVICE	
standard	optional	standard	optional	standard	optional	standard	optional	standard	optional
white		polyester		12-24 v MAC11	230 v MAC11	integrated push button		solenoid	inlet pump

Bidet Standard



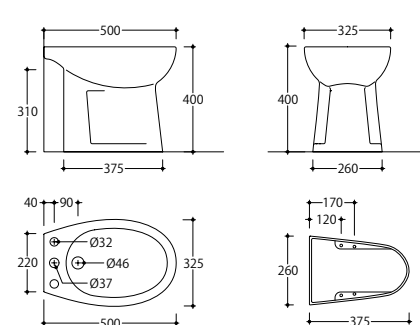
- BIDET WEIGHT - 16,3 kg
- FEATURE - bidet for flexi range
- COLOR / STANDARD - white
- COLOR / OPTIONAL - pergamon



Bidet Mini



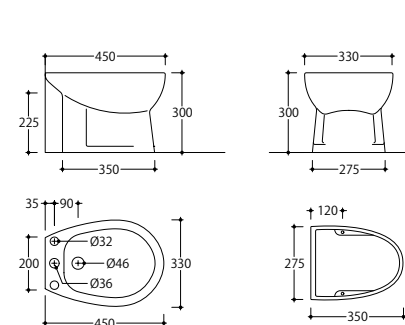
- BIDET WEIGHT - 12,7 kg
- FEATURE - bidet for flexi range
- COLOR / STANDARD - white
- COLOR / OPTIONAL - pergamon



Bidet Short



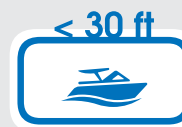
- BIDET WEIGHT - 12,7 kg
- FEATURE - bidet for flexi range
- COLOR / STANDARD - white
- COLOR / OPTIONAL - pergamon



Compact & Portable range



- .. Compass
- .. Compass short
- .. Easy Fit
- .. Easy Fit short
- .. Comfortmate

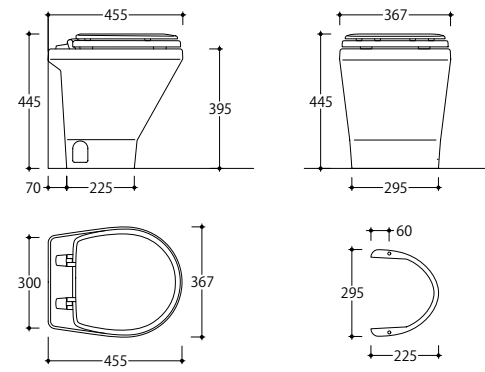


- .. Porta Potti Excellence
- .. Porta Potti Qube 365
- .. Porta Potti Qube 335

Compass



- WC WEIGHT - 21,5 kg
- WATER USAGE - 0,5 / 2 L
- FEATURE - compact versatile

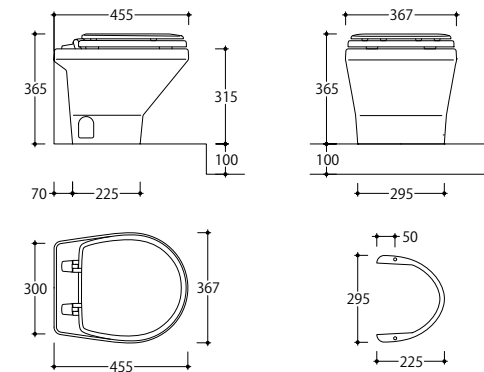


COLOR		SEAT AND COVER		OUTLET PUMP		CONTROL PANEL		INLET DEVICE	
standard	optional	standard	optional	standard	optional	standard	optional	standard	optional
white	pergamon	soft closing		12-24 v MAC4		eco	premium / premiumplus	solenoid	inlet pump

Compass Short



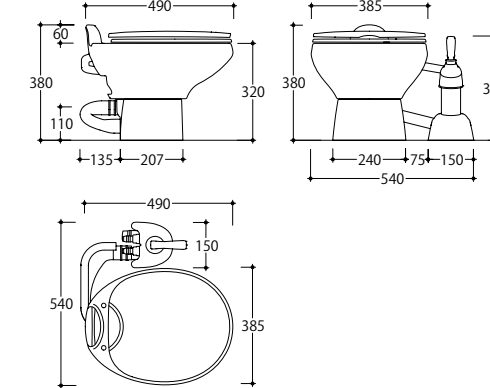
- WC WEIGHT - 19,5 kg
- WATER USAGE - 0,5 / 2 L
- FEATURE - compact versatile



Comfortmate



- WC WEIGHT - 11,1 Kg
- WATER USAGE - 0,5 / 2 L
- FEATURE - manual

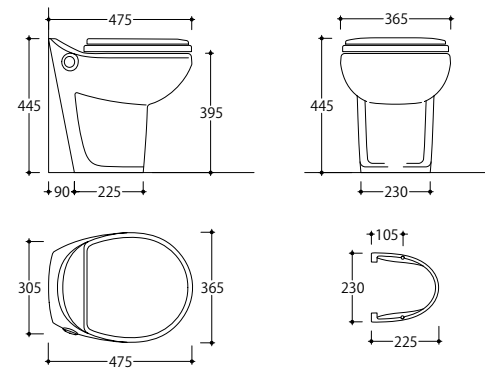


COLOR		SEAT AND COVER		OUTLET PUMP		CONTROL PANEL		INLET DEVICE	
standard	optional	standard	optional	standard	optional	standard	optional	standard	optional
white		plyester		MANUAL					

Easyfit



- WC WEIGHT - 21,5 Kg
- WATER USAGE - 0,5 / 2 L
- FEATURE - compact
- MATCHING BIDET -
- INTEGRATED BIDET -

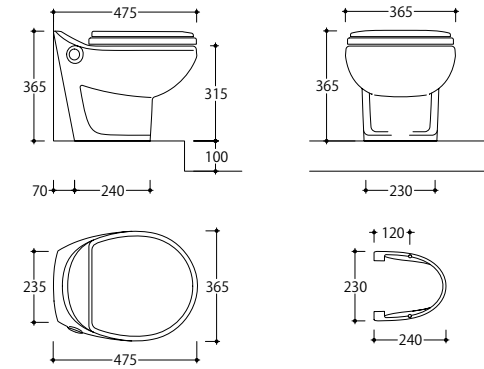


COLOR		SEAT AND COVER		OUTLET PUMP		CONTROL PANEL		INLET DEVICE	
standard	optional	standard	optional	standard	optional	standard	optional	standard	optional
white	pergamon	polyester		12-24 v MAC4		eco	premium / premiumplus	solenoid	inlet pump

Easyfit Short



- WC WEIGHT - 19,5 Kg
- WATER USAGE - 0,5 / 2 L
- FEATURE - compact
- MATCHING BIDET -
- INTEGRATED BIDET -



Portable range

Porta Potti Excellence



- BIDET WEIGHT - 5,3 kg
- FEATURE - chemical
- H448 x W388 x D450 mm

Porta Potti Qube 365



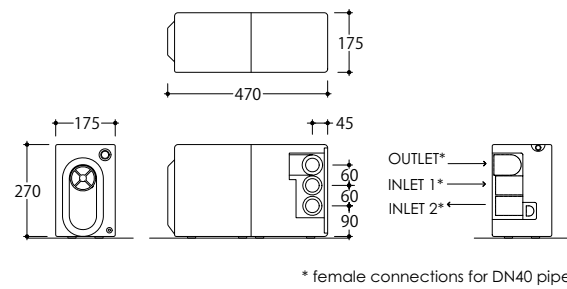
- BIDET WEIGHT - 4 kg
- FEATURE - chemical
- H430 x W390 x D435 mm

Porta Potti Qube 335



- BIDET WEIGHT - 3,3 kg
- FEATURE - chemical
- H 327 x W350 x D390

Sanisplit NK



The Sanisplit is an automatic pumping unit which transfers water from the bidet to the collection tank irrespective of gradient so also serves showers and washbasins. The Sanisplit has a powerful and silent centrifugal pump. It is controlled by a pressure switch which starts the pump as soon as the water arrives in the unit's collection tank.

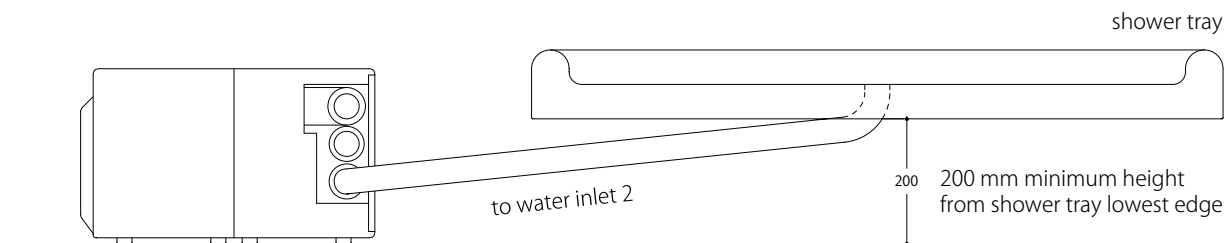
The removable part of the Sanisplit containing the pump and the pressure switch can be rapidly disengaged from the fixed part with collection tank which makes maintenance quick and clean. A one-way valve prevents the pumped water from returning to the unit.

SANISPLIT NK	
Power	Power 12V - 24V - 230V
Box material	Plastic
Color	White
Weight	8.0 Kg (fully assembled)

OUTLET PUMP - MACERATOR TURBINE	12 V dc	24 V dc	230 V ac
Power consumption	40 A	30A	5A
Pump performance	Max 270 l/min - Max vertical head 11mt - Max horizontal distance 90 mt		

OPTIONAL (REMARKS)	
Features	<ul style="list-style-type: none"> · Patented SPLIT system: the motor pump can be easily replaced or dismantled without disconnecting the hoses connection. · No submergible (IP55) · Max grey water temperature 100 °C
Mounting location	<ul style="list-style-type: none"> · At least 20 cm of pressure head is required to activate the pressure switch · Install Sanisplit 20 cm below lower edge of shower tray. · Consider 1 Sanisplit for max: 1 sink + 1 bidet + 1 shower

MINIMAL HEIGHT REQUIREMENTS



Accessories and components

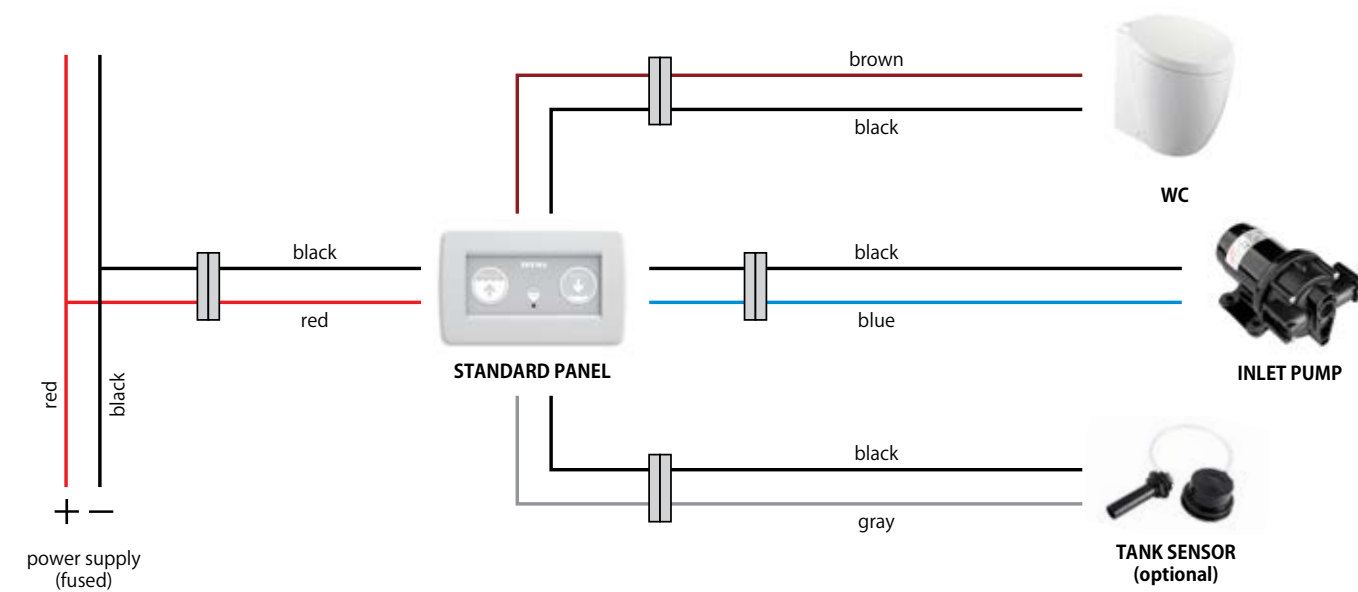
PRODUCT PHOTO	CODE	DESCRIPTION
	T-PF.P08	INLET VENTILATION VALVE Siphon break - Hose fitting 3/4 " male
	T-PF.P04	OUTLET VENTILATION VALVE Siphon break - Hose fitting 1/2" female
	T-PF.P07	SINGLE PNEUMATIC TANK SENSOR
	T-PF.PE81	INDUCTIVE FULL TANK SENSOR Design & Flexi Range
	T-PF.PE82	INDUCTIVE MID TANK SENSOR Design & Flexi Range
	T-PF.PE18	INDUCTIVE FULL TANK SENSOR Compact Range
	T-PF.PE19	INDUCTIVE MID TANK SENSOR Compact Range
	T-PF.P30	CLAPET ONE WAY VALVE
	T-PF.755	PRESSURE REGULATOR
	T-PF.756	SHOCK ABSORBER
	T-PF.P36	LEVEL SENSOR 12 V / 24 V Used in combination with SANISPLIT NK to monitor eventual overflow of the system. <ul style="list-style-type: none"> · To be installed directly on the system hoses · Decide mounting location according with system layout · T-connection for DN 40 hoses

Single installation

• Plumbing

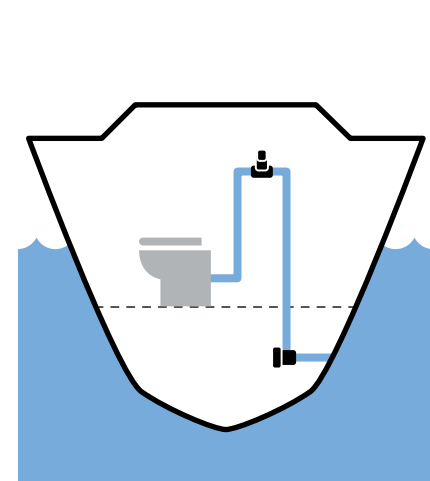


• Wiring

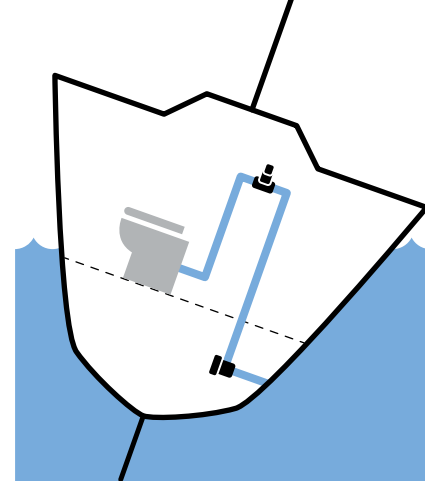


• When is a siphon break needed?

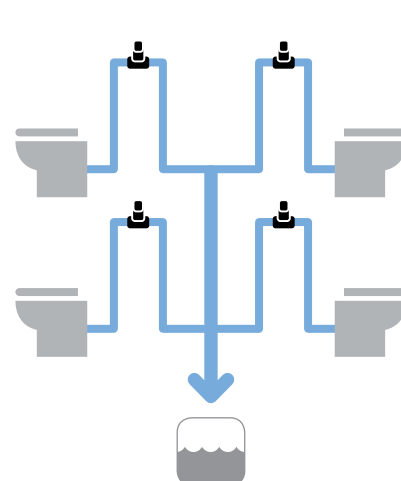
Must have with below water line installation



Must have for sailing boats

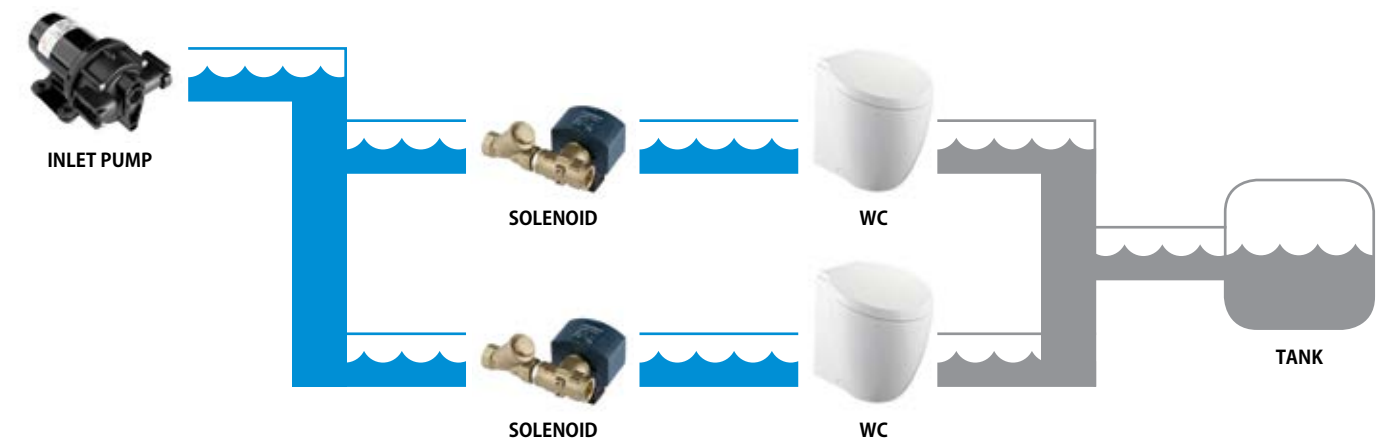


Reccomended: multiple connection and long runs of collector hose

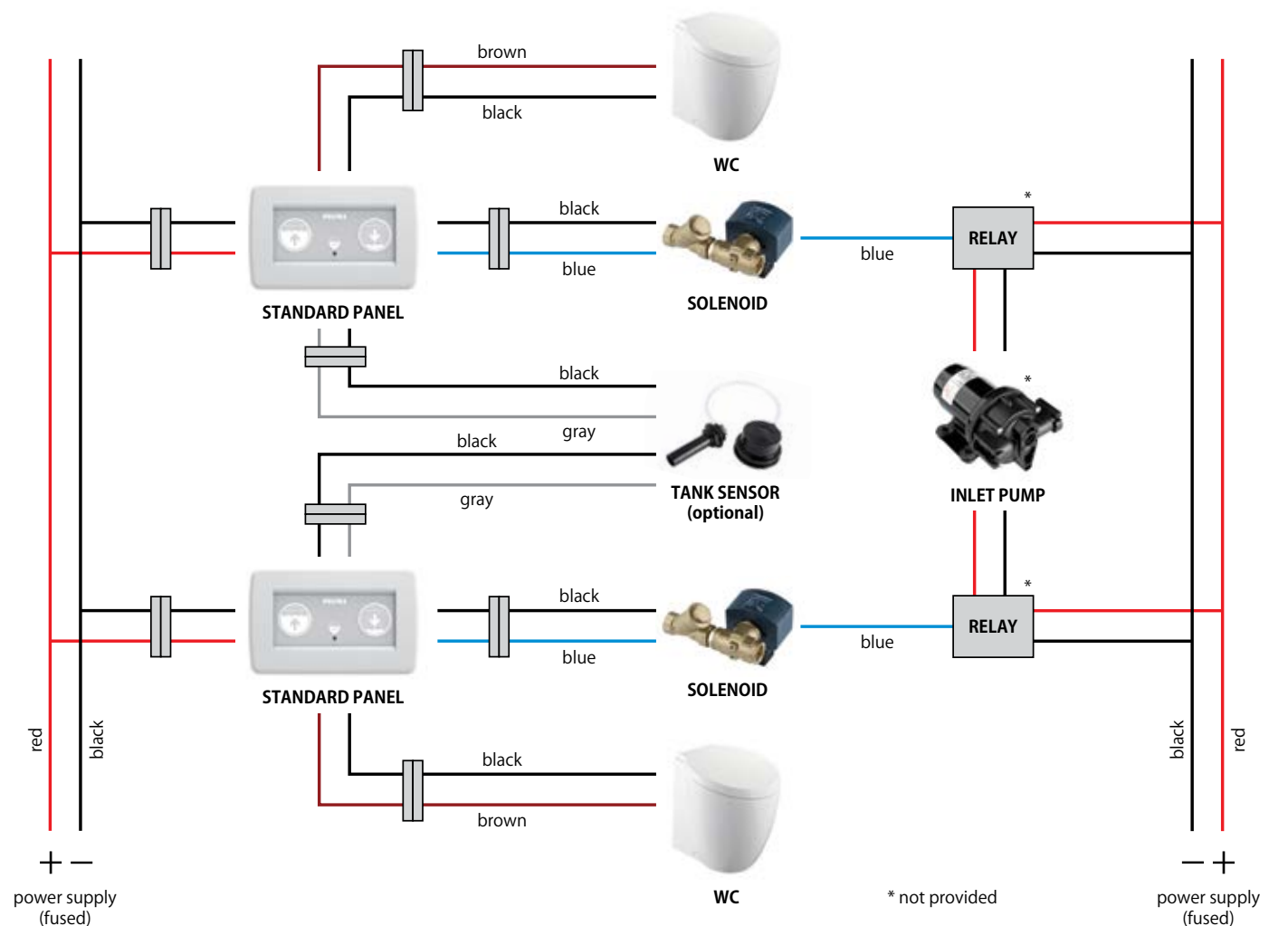


Centralized installation - raw water

• Raw water plumbing

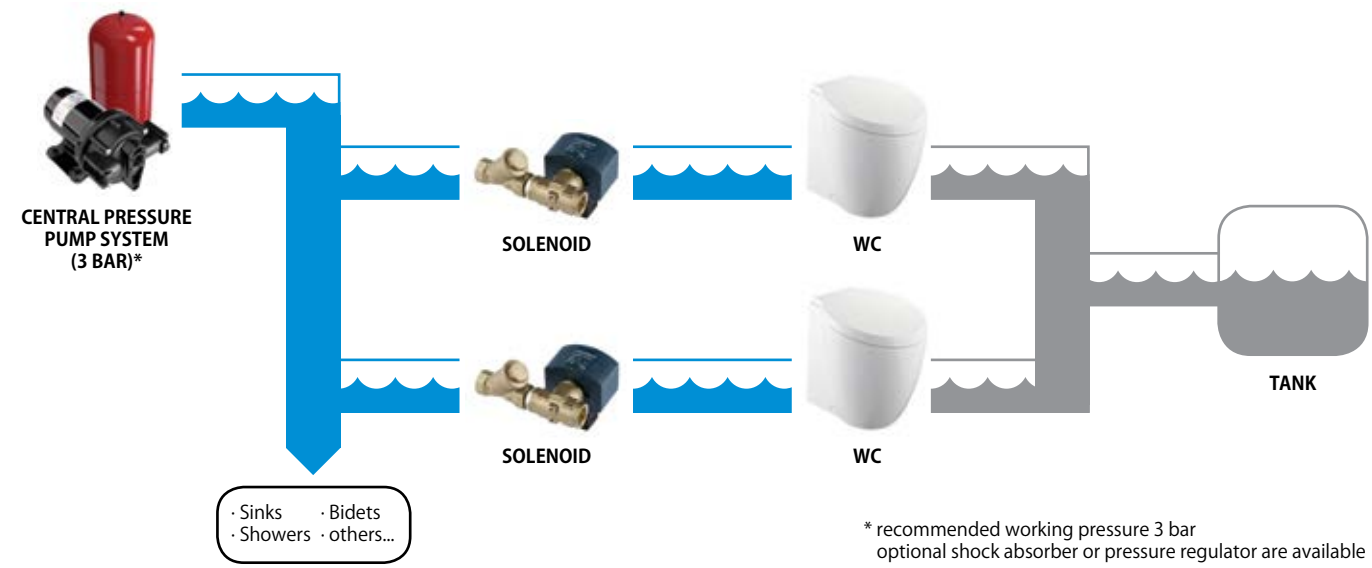


• Raw water wiring

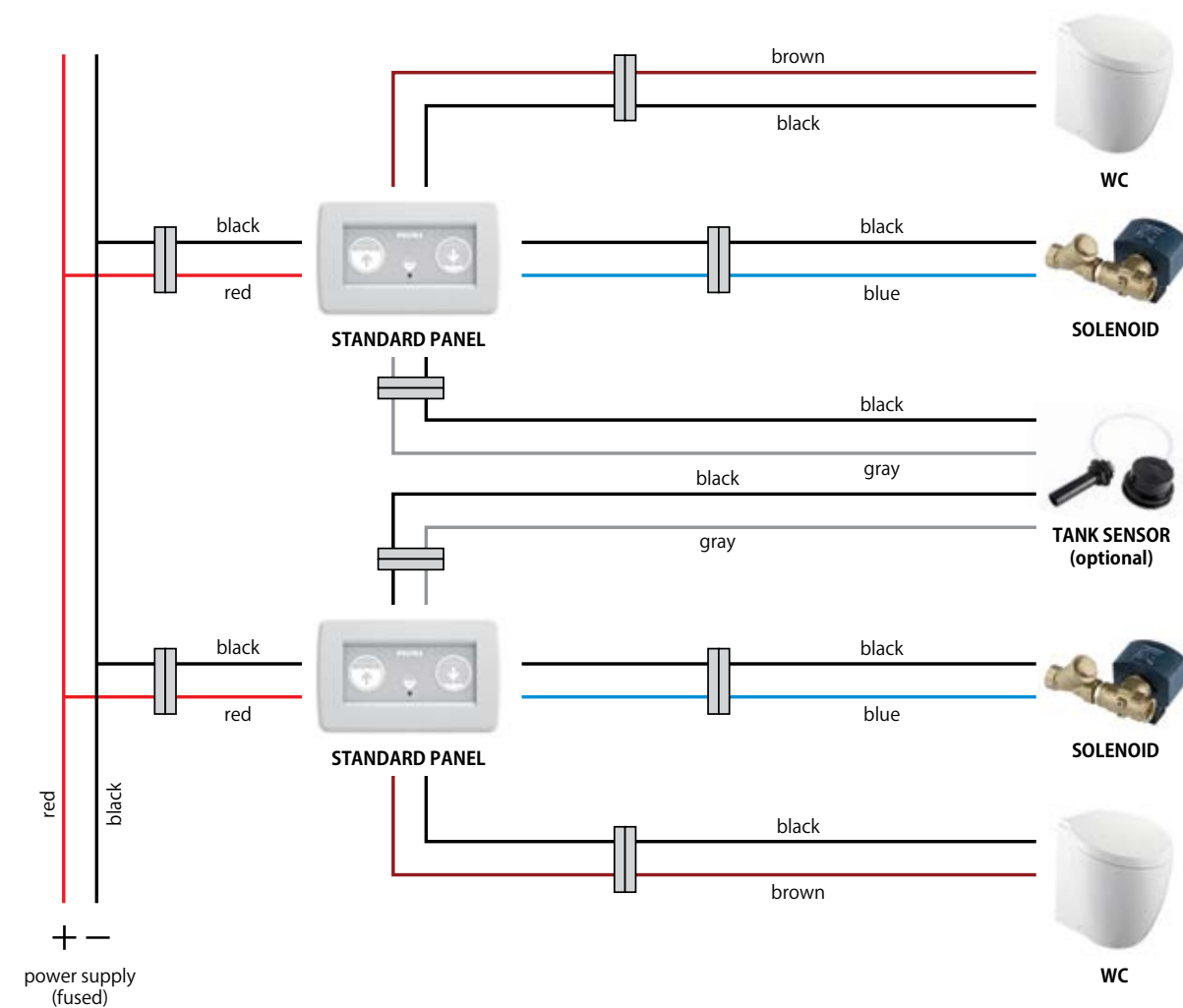


Centralized installation - fresh water

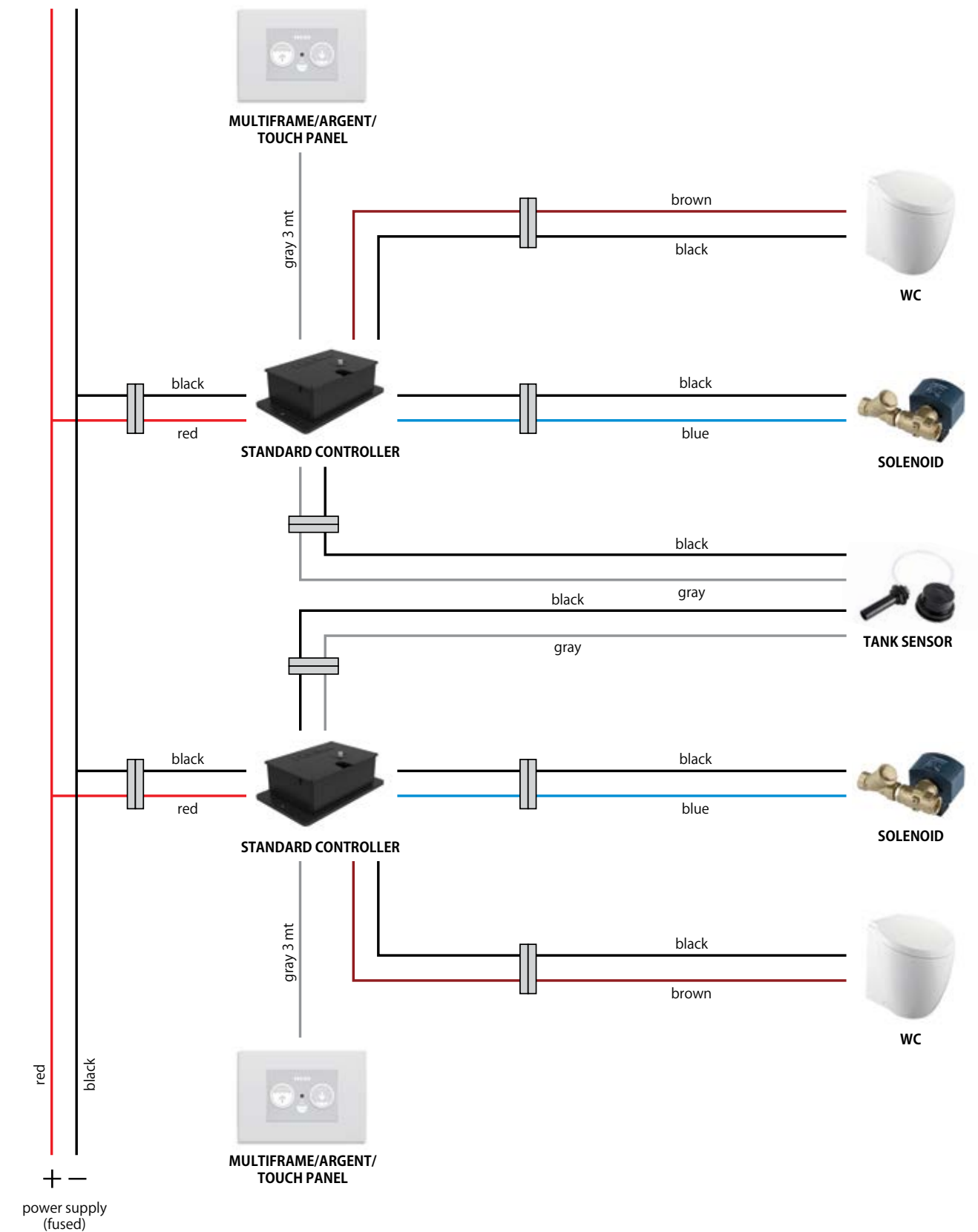
• Fresh water plumbing



• Fresh water wiring - Standard panel

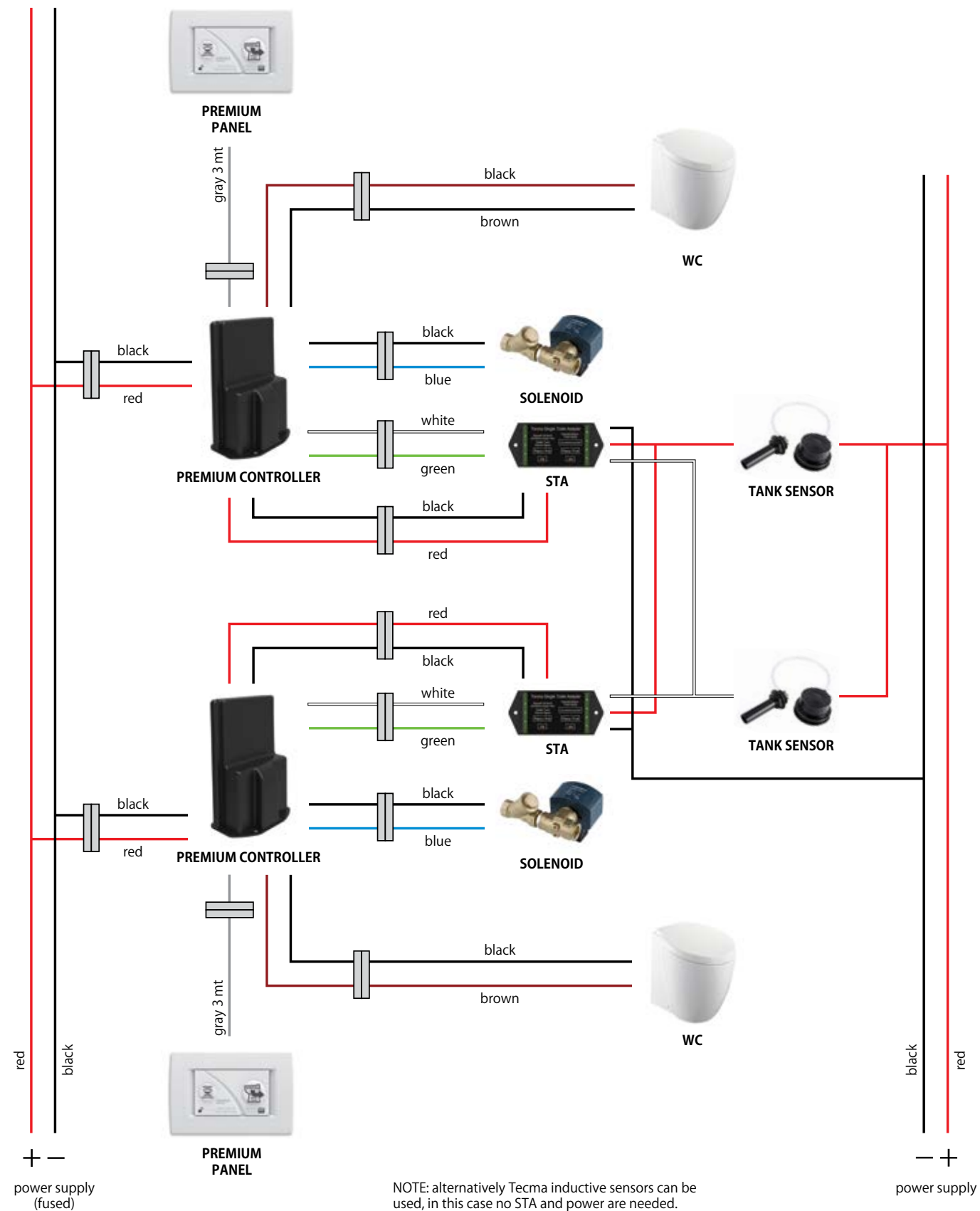


• Fresh water wiring - Multiframe / Argent / Touch panels



Centralized installation - fresh water

• Fresh water wiring - Premium panel



• Fresh water wiring - Premium Touch panel

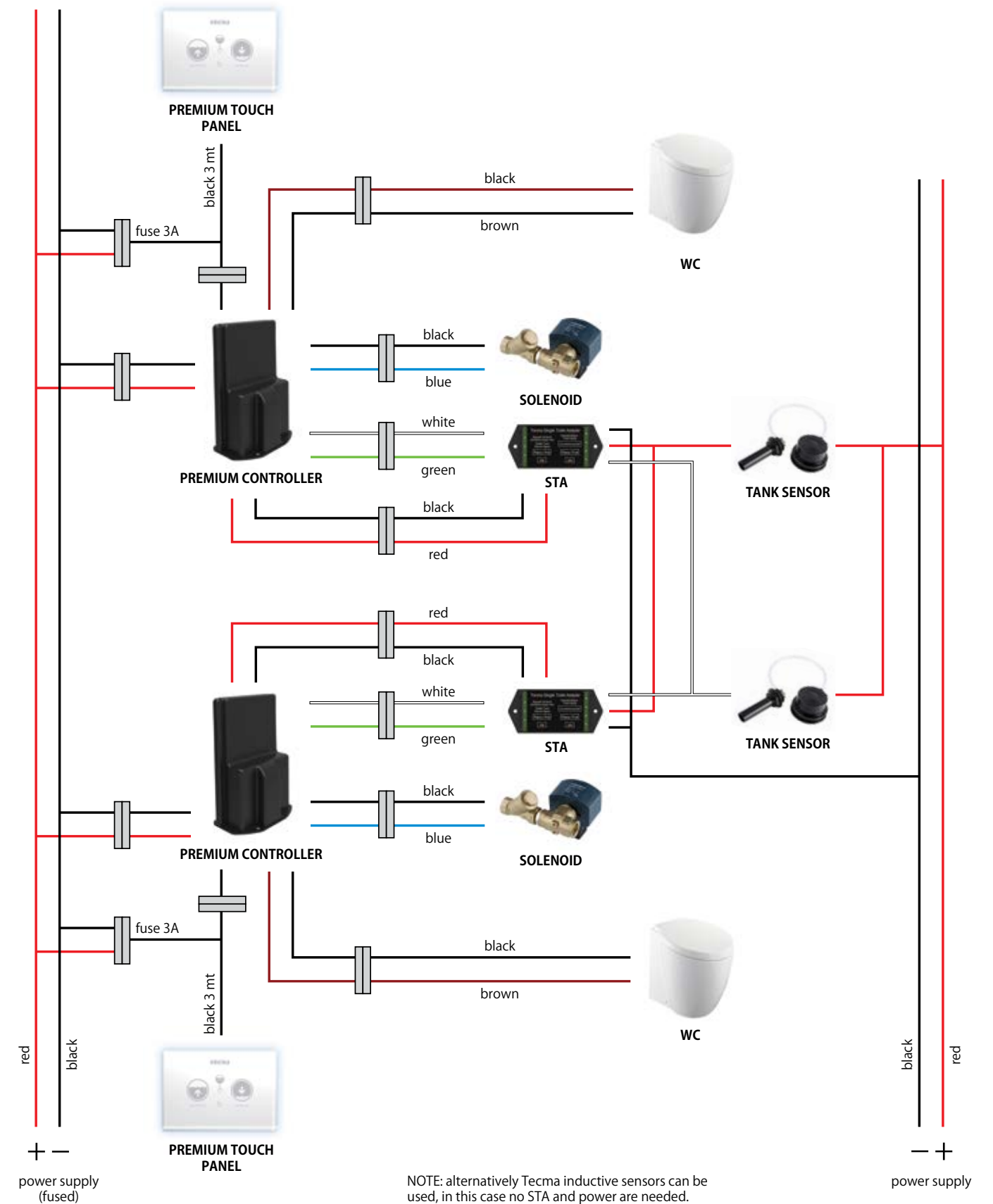
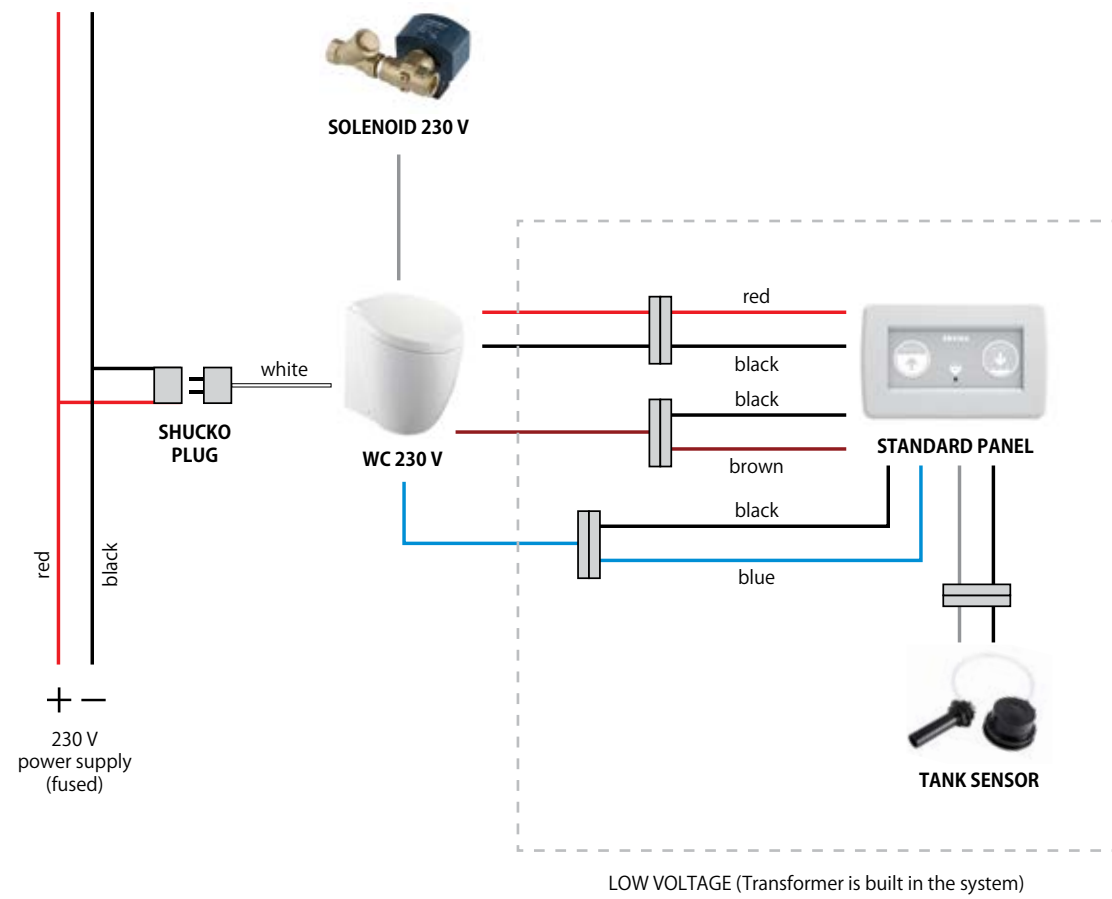


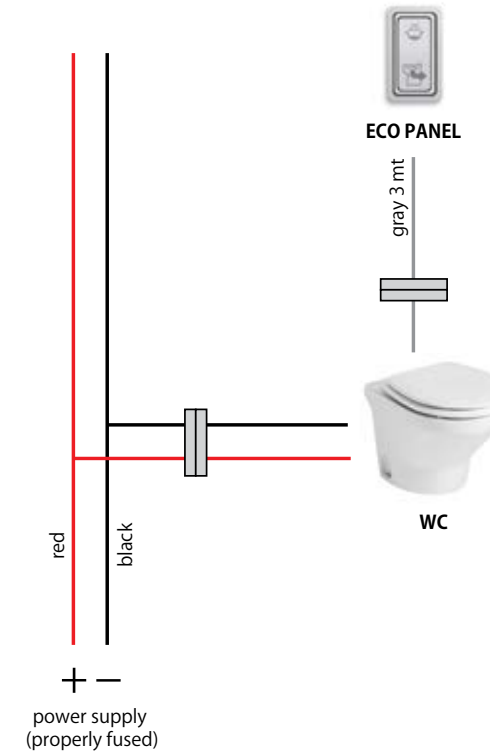
Illustration of 230 V single installation

For centralized systems or other type of control panels the low voltage connections have the same arrangements of 12/24 volts systems

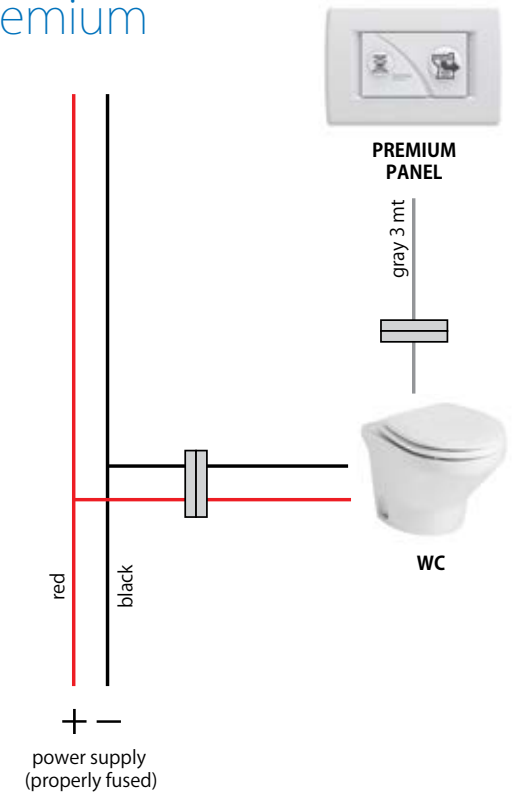


Compact range wiring

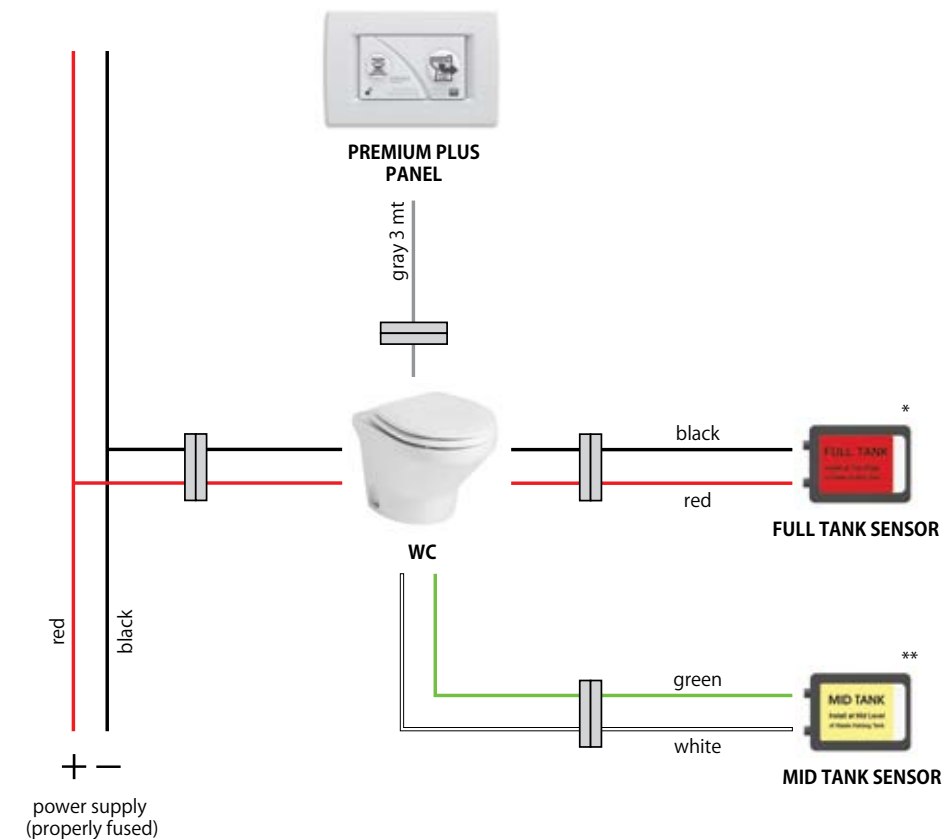
• Eco



• Premium



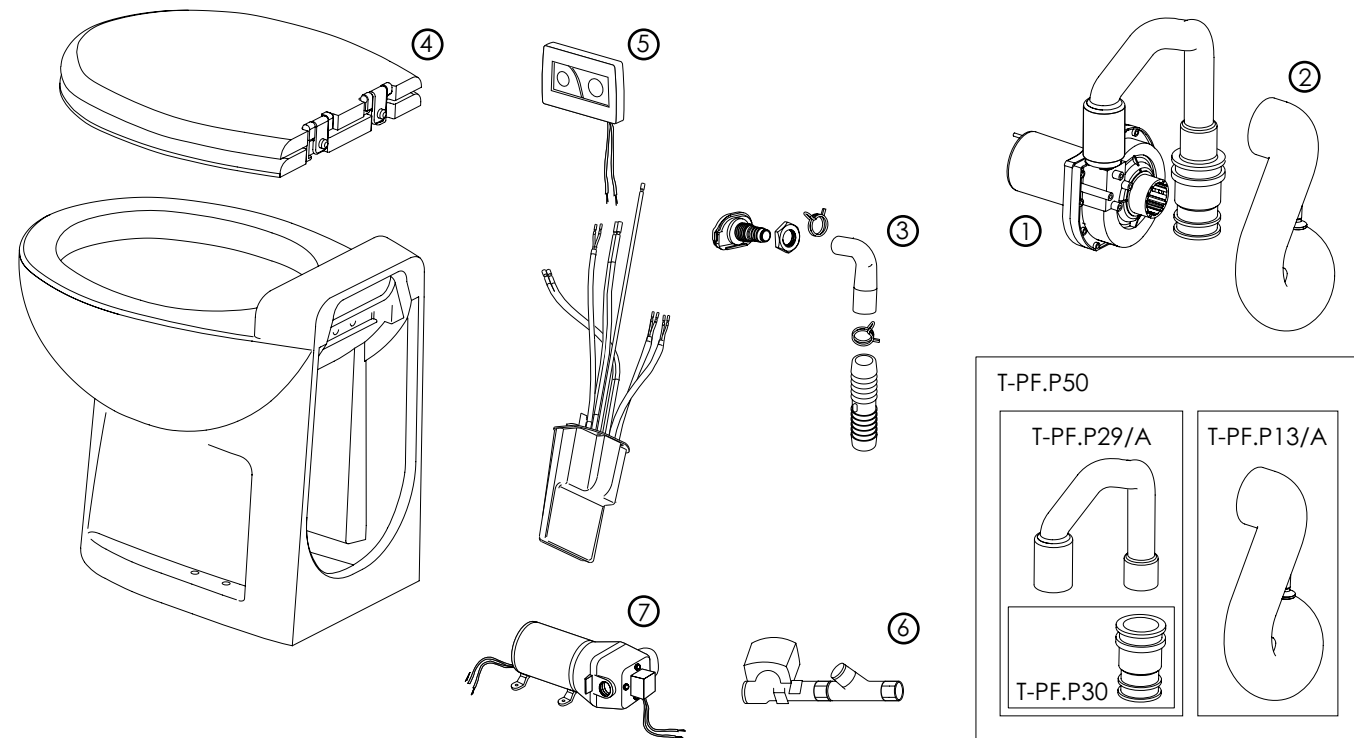
• Premium Plus



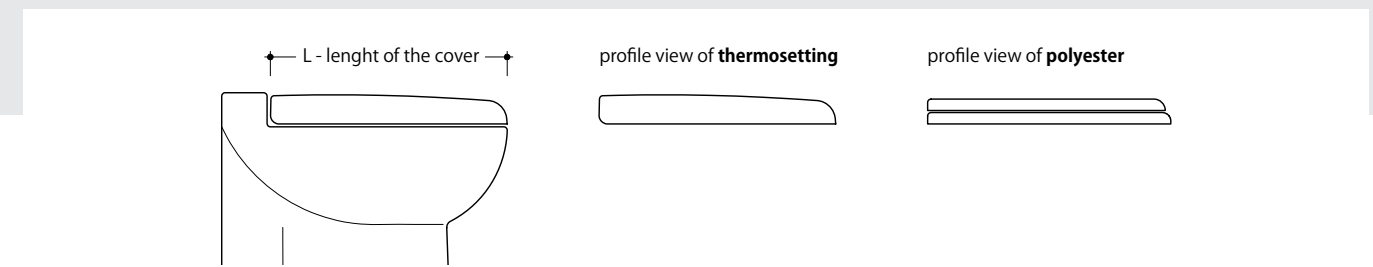
* **Must** always be installed, any connection failure will affect the correct functioning of the system

** **Optional**

Design & Flexi range spares



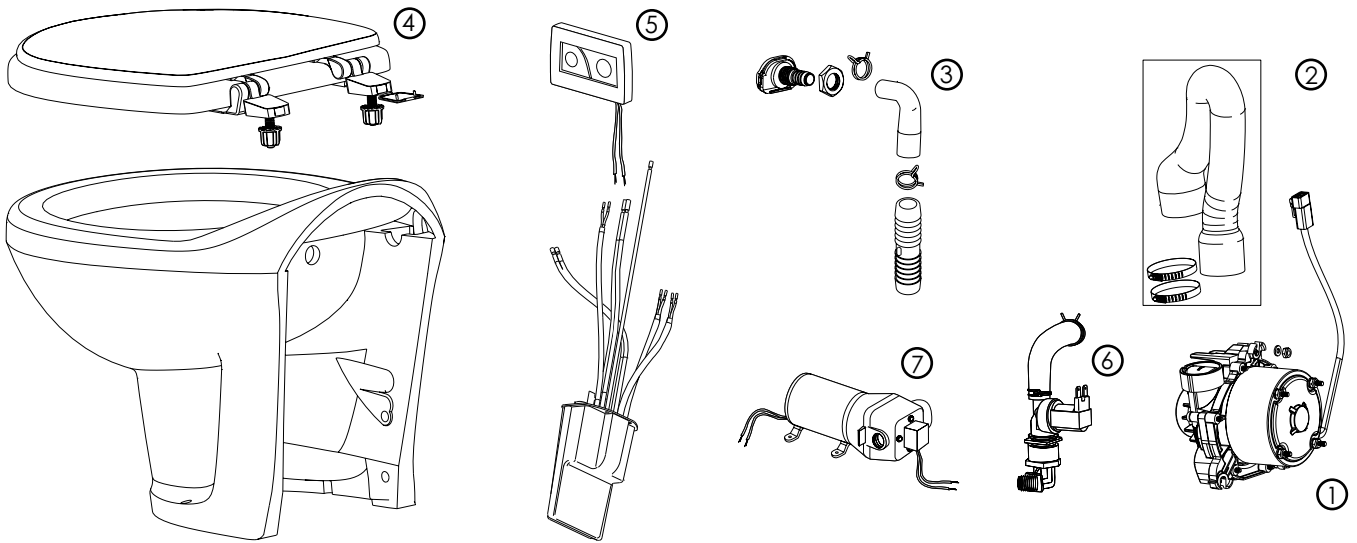
1	T-PF.P01A	12 V	MACERATOR PUMP MAC 11
1	T-PF.P01B	24 V	MACERATOR PUMP MAC 11
1	T-PF.P64	230 V	MACERATOR PUMP MAC 11
2	T-PF.P29/A		DISCHARGE HOSE WITH ONE WAY VALVE
2	T- PF.P30		ONE WAY VALVE
2	T- PF.P13/A		STANDARD SIPHON HOSE
2	T-PF.P50		COMPLETE RUBBER KIT (TPF.P29/A + t-PF.P13/A)
3	T-PF.P03/B		INLET NOZZLE WHITE
3	T.PF.P03/P		INLET NOZZLE PERGAMON
3	T.PF.P03/N		INLET NOZZLE BLACK
3	T-PF.P03B/B		INLET NOZZLE WHITE WITH BIDET SHOWER FUNCTION
3	T.PF.P03B/P		INLET NOZZLE PERGAMON WITH BIDET SHOWER FUNCTION
3	T.PF.P03B/N		INLET NOZZLE BLACK WITH BIDET SHOWER FUNCTION
5	T- PF.P11/B		STANDARD ALL IN ONE 1 BUTTON CONTROL PANEL
5	T- PF.P11		STANDARD ALL IN ONE 2 BUTTONS CONTROL PANEL
5	T-PF.P11T/T		PREMIUM CONTROL PANEL KIT (WALL SWITCH + CONTROLLER + STA)
5	ON REQUEST		PREMIUM CONTROL PANEL KIT (WALL SWITCH WITH CUSTOM LOGO + CONTROLLER + STA)
5	T-PF.PE20		STA - SINGLE TOILET ADAPTER
6	T -PF.P14	12 V	DIRECT ACTING SOLENOID BRASS
6	T-PF.P15	24 V	DIRECT ACTING SOLENOID BRASS
6	T-PF.P12	230 V	DIRECT ACTING SOLENOID BRASS
6	T -PF.P14/B	12 V	PILOT OPERATED SOLENOID BRASS
6	T- PF.P15/B	24 V	PILOT OPERATED SOLENOID BRASS
6	T- PF.P12/B	230 V	PILOT OPERATED SOLENOID BRASS
7	T-PF.P27	12 V	INLET PUMP
7	T-PF.P28	24 V	INLET PUMP
	T-PF.P49	12/24 V	PRESTIGE PROGRAMMER
	T-PF.P26	230 V	PRESTIGE PROGRAMMER
	T-PF.P54		PRESTIGE RUBBER KIT
	T-PF.P56		PRESTIGE GENERAL REPAIR KIT



4 - X-LIGHT				
CARBON	PAINTED			
T-475	T-684			CARBON FIBRE SEAT AND COVER
4 - PRIVILEGE - L = 48 cm				
WHITE	BONE	BLACK		
T-623	T-623P	T-623N		THERMOSETTING SEAT AND COVER WITH SOFT CLOSING SYSTEM
4 - EVOLUTION - L = 39 cm				
WHITE	BONE			
T-051TBFR	T-051TPFR			THERMOSETTING SEAT AND COVER WITH SOFT CLOSING SYSTEM
T-597/F				HINGES EVOLUTION FOR THERMOSETTING SEAT AND COVER WITH SOFT CLOSING SYSTEM
4 - BREEZE - L = 42 cm				
WHITE				
T-278TBFR/CN				THERMOSETTING SEAT AND COVER WITH SOFT CLOSING SYSTEM AND FAST REMOVING HINGES
T-630/B				HINGES BREEZE FOR THERMOSETTING SEAT AND COVER WITH SOFT CLOSING AND FAST REMOVING HINGES
4 - SILENCE PLUS - L = 41.5 cm				
WHITE	BONE	BLACK		
T-278	T-278C	T-278N		POLYESTER SEAT AND COVER
			T-278L	WOOD SEAT AND COVER - WALNUT FINISHING
T-278TB	T-278TP			THERMOSETTING SEAT AND COVER
T-278TBFR	T-278TPFR			THERMOSETTING SEAT AND COVER WITH SOFT CLOSING SYSTEM
T-596				HINGES SILENCEPLUS FOR POLYESTER SEAT AND COVER
T-630				HINGES SILENCEPLUS FOR THERMOSETTING SEAT AND COVER
T-630/F				HINGES SILENCEPLUS FOR THERMOSETTING SEAT AND COVER WITH SOFT CLOSING SYSTEM
4 - SANINAUTICO - L = 39 cm				
WHITE	BONE	BLACK		
T-051	T-051C	T-051N		POLYESTER SEAT AND COVER
T-051TB	T-051TP			THERMOSETTING SEAT AND COVER
T-051TBFR	T-051TPFR			THERMOSETTING SEAT AND COVER WITH SOFT CLOSING SYSTEM
T-595				HINGES ELEGANCE FOR POLYESTER SEAT AND COVER
T-597				HINGES ELEGANCE FOR THERMOSETTING SEAT AND COVER
T-597/F				HINGES ELEGANCE FOR THERMOSETTING SEAT AND COVER WITH SOFT CLOSING SYSTEM
4 - ELEGANCE - L = 35 cm				
WHITE	BONE	BLACK		
T-236	T-236C	T-236N		POLYESTER SEAT AND COVER
			T-236L	WOOD SEAT AND COVER - WALNUT FINISHING
T-236TB	T-236TP			THERMOSETTING SEAT AND COVER
T-236TBFR	T-236TPFR			THERMOSETTING SEAT AND COVER WITH SOFT CLOSING SYSTEM
T-596				HINGES ELEGANCE FOR POLYESTER SEAT AND COVER
T-630				HINGES ELEGANCE FOR THERMOSETTING SEAT AND COVER
T-630/F				HINGES ELEGANCE FOR THERMOSETTING SEAT AND COVER WITH SOFT CLOSING SYSTEM
4 - PRESTIGE 50 - L = 46 cm				
WHITE	BONE			
T-153	T-153B			POLYESTER SEAT AND COVER
T-632				HINGES POLYESTER FOR PRESTIGE 50 SEAT AND COVER
4 - PRESTIGE 45 / PRESTIGE 56* - L = 42 cm				
WHITE	BONE			
T-154	T-154B			POLYESTER SEAT AND COVER
T-103				HINGES POLYESTER FOR PRESTIGE 56 SEAT AND COVER

* Order this spares for old Evolution model (before 2010)

Compact range spares



1	T-PF.PE09	12 V	MACERATOR PUMP MAC4
1	T-PF.PE10	24 V	MACERATOR PUMP MAC4
2	T-PF.PE08		DISCHARGE TUBE KIT
2	T-PF.PE15		GROMMET KIT
3	T-PF.P03/B		WHITE WATER INLET NOZZLE
3	T-PF.P03/P		PERGAMON WATER INLET NOZZLE
5	T-PF.PE13		WALL SWITCH PREMIUM PLUS
5	T-PF.PE07		CONTROLLER
5	T-PF.PE01		WALL SWITCH FRAME - BONE
5	T-PF.PE02		WALL SWITCH FRAME - BLACK
5	T-PF.PE22		ECO CONTROL PANEL KIT (SOLENOID+HARNESS + ROCKER SWITCH)
6	T-614	12 V	SOLENOID
6	T-615	24 V	SOLENOID
7	T-PF.P27	12 V	WATER INLET PUMP
7	T-PF.P28	24 V	WATER INLET PUMP
	T-PF.PE18		FULL TANK INDUCTIVE SENSOR
	T-PF.PE19		MID TANK INDUCTIVE SENSOR

EASY FIT			
	WHITE	BONE	
4	T-PF.PE03	T-PF.PE04	SEAT AND COVER REPLACING KIT

Sanisplit NK spares



T-PF.SPLITFAS12V	FAS MOTOR NK 12V
T-PF.SPLITFAS24V	FAS MOTOR NK 24V
T-PF.SPLITFAS230V	FAS MOTOR NK 230V
T-PF.P58/NK	FIX PART / WATER INLET - OUTLET