

MUIR

SINCE 1968

If it's recreational...it's Muir



- WINCHES
- WINDLASSES
- CAPSTANS
- ANCHORS
- ANCHOR ROLLERS
- ANCHOR CHAIN
- SWITCH CONTROLS
- ANCHORING ACCESSORIES
- HYDRAULIC SYSTEMS
- COMPLETE ANCHORING SYSTEMS



BUILDING WINCHES FOR OVER 45 YEARS...HERE FOR THE LONG HAUL

www.muir.com.au



The World Power in Anchoring Systems

Muir has been the dominant force in Australian anchor windlass technology since 1968, and by industry standards are now recognised as a leader and innovator for anchoring systems worldwide.

A source for complete anchoring and docking system packages, Muir design and manufacture the most extensive range of anchor windlasses and equipment available on the world market.

With over a century of experience in anchor windlass technology, Muir technicians and engineers have designed and developed a superior range of pleasure craft windlasses and products that meet the requirements of the most discerning clients and their vessels.

A Muir Anchoring System is an investment in security and peace of mind.

INNOVATIVE INTEGRITY

Exploiting the most advanced technologies, Muir has designed and pioneered systems to suit the luxury mega yacht, pleasure craft and commercial vessels markets.

Muir have not only perfected the rope-chain combination windlass but triumphed in development of the Rope Chain Management System for smooth rope-chain transition. They have advanced the windlass ratchet system for controlled manual override, and integrated complete units with swivel chain covers onto one single base.

High performance products require modern methods in design, engineering and manufacturing. Computer aided design and manufacture (CAD/CAM) play a fundamental role, as does the comprehensive research and development program.

Continual investment in state-of-the-art CNC lathes, machinery and equipment, use of forgings, gravity dies and the latest in modern machining methods ensure a high degree of precision and a technically sophisticated anchor windlass.

GLOBAL CONFIDENCE

Muir windlasses and anchoring systems are used extensively throughout Australia, North and South America, Europe, Scandinavia, The Middle East, Asia and the Pacific. They rest proudly on the deck of many of the world's production-built vessels, and includes some of the most well respected and largest yachts in the world.

Success has come from the commitment to work closely with naval architects, designers, builders and owners in the design of anchoring systems that are truly dependable, and to meet the varied and often unique requirements of operators and their vessels.

An extremely dedicated workforce and new warehousing facilities, together with an extensive and expanding distributor and service network, provide the global support required by the demanding marine industry.

Going to sea with a Muir means going to sea with confidence.

QUALITY NOT COMPROMISE

Muir's sole commitment and dedication to the anchor windlass industry has earned them an enviable reputation as a manufacturer of the highest quality products. Safety, seaworthiness, performance and reliability are never compromised.

Striving to constantly maintain and improve their quality standards, Muir is accredited with ISO 9001 certification which reflects the stringent procedures applied to every windlass



and anchoring system built. Disciplined quality control is maintained throughout every phase of the production process, from design to final assembly and despatch. Equipment is manufactured to meet the most stringent classification society standards including ABS, LRS, DNV, BV, NKK, GL, CCS and will comply with MCA and USL Codes.

Whilst assuredly committed to functional excellence, Muir are often complimented for their aesthetic values, being recognised as producing the most stylish looking product on the market. Their systems are manufactured with only the finest quality marine grade materials and components.

Every pleasure craft anchor windlass is fitted with purpose-built marine motors. Heavy duty electric motors are series wound for greater power, faster retrieval and increased dependability and are coupled with efficient reduction drives. Smaller windlasses incorporate permanent magnet motors.

Hydraulic motors provide continuous torque, excellent control and have been designed for integration with a vessel's central hydraulic system. All models incorporate stainless steel shafts, bronze gears, cone clutches and chrome, bronze or stainless steel gypsies.

MEGA EXCELLENCE

Muir's capabilities extend well beyond the recreational marine industry. With several awards to its credit, Muir can undeniably claim to be a preferred supplier of anchoring systems for many of the world's largest and finest yachts. The mega yacht industry is rightfully very demanding, with builders and owners requiring absolute assurance that their windlass will perform exceptionally in securing their multimillion-dollar investments.

The mega yacht range encompasses standard and fully customised windlasses and systems with lifting capacity in excess of 10,000kg lift (22,000lb). No mean feat when you consider that Muir are one of a few manufacturers worldwide with this capability. The polished stainless steel windlasses and complete systems including chain compressors, devil claw and anchor roller assemblies are regarded as Muir's speciality and are in high demand for luxury vessels.

For further information, ask for the comprehensive Mega Yacht Anchoring Systems catalogue.

COMMERCIAL DEPENDABILITY

High speed ferries, recovery and military craft, fishing and workboats are another substantial market for Muir. While not as glamorous as mega yachts or pleasure craft these vessels still demand quality controlled, high performance anchoring systems. The windlasses featured in this catalogue and the extensive range of multi-purpose, drum and cargo winches, docking capstans, line haulers and anchor winches are designed for extreme durability and suitable for all commercial applications.

For further information, ask for the comprehensive Commercial catalogue.

THE CHOICE IS SIMPLE

With a highly specialised and dedicated workforce capable of total quality design and manufacture, innovative use of technology, and the desire to set and surpass industry standards in delivering anchoring perfection, Muir is a force to be reckoned with – the only choice for quality anchoring system solutions.



Selecting a Windlass

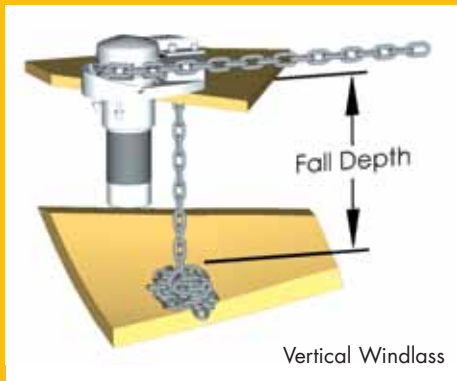


Selecting the appropriate windlass and ground tackle for your vessel and application ensures efficient deployment and retrieval of your anchor irrespective of anchoring or weather conditions. An undersized windlass may well compromise the safety of your vessel and crew. Choosing the right one should prevent costly repairs and damage.

When selecting a windlass there are a number of factors that need to be considered: vessel type, length and displacement, anchor and chain size, windage and the anchoring environment. The selection chart on page 6 will assist in determining the ideal windlass options for your vessel. Once the suitable windlasses are identified refer to those particular product specification pages in the catalogue for details or visit the Muir website at www.muir.com.au. The staff at Muir can also assist in Windlass Selection on + 61 (3) 6229 0600 or email sales@muir.com.au.

A windlass is often exposed to harsh elements therefore it is important to consider the materials and components it is manufactured from. Muir windlasses incorporate high quality components including chromed bronze and high quality marine grade 316 Stainless Steel running gear, stainless steel drive shafts and marine coated alloy housings, to ensure strength, durability and long term usage.

A powered windlass with some form of manual operation or override is always a wise choice and ensures peace of mind that the anchor can be retrieved if power failed or in an emergency. The type and style of windlass you select will depend on the depth of the chain locker, the fore deck layout, power options and personal preference.



MANUAL OR POWER OPERATION?

There are three main ways a windlass can be powered.

- 1. Manual windlasses:** you do the work of a motor, while internal gearing or a ratchet drive makes it easier. These windlasses are above deck units and very simple to install.
- 2. Electric power windlasses:** windlass motors do all the lifting controlled by remote or deck switches and require little user interaction. One of the easiest methods for weighing anchor, however, requires electrical power sources in 12/24V or 3 Phase AC.
- 3. Hydraulic power windlasses:** another easy method for weighing anchor requires hydraulic pump/powerpack.

DEPTH OF THE CHAIN LOCKER?

Measuring the vertical distance underside of the deck and the top of the completely stored and heaped anchor rode in the locker will assist in determining the installation to suit your vessel. Refer to the fall depth diagrams to the left, and the options detailed below.

HORIZONTAL OR VERTICAL CONFIGURATION?

Windlasses are one of two types - vertical or horizontal. This is based on the orientation of the drive shaft - vertical or horizontal in direction.

Vertical Windlass: The running gear, gypsy and capstan are positioned above the deck with the motor and gear drive below. Vertical windlasses operate at optimum with greater anchor rode fall than the horizontal windlass and a minimum fall of 30cm from top of stacked anchor rode is recommended. This is particularly important if using nylon line which does not fold and stack as well as chain does. Vertical windlasses minimise deck intrusion and the modern curved lines enhance the look of any vessel. A vertical windlass provides a 180-degree wrap of the anchor rode around the gypsy for maximum feed into the locker and prevention of chain slippage and jumping.

Horizontal Windlass: Fully enclosed, above deck windlasses, this style is usually preferred where locker space is limited or additional fall is required. The motor and gear drive is fully enclosed in the housing with nothing protruding below deck. The horizontal windlass operates with optimum anchor rode fall of at least 30cm from the top of the stacked anchor rode, and due to the horizontal orientation of the gypsy higher above the deck there is additional fall provided. These units are ideally suited for vessels with shallow locker space. Often selected for commercial and charter vessel applications.

Manual Operating System (MOS)



Manual Override System (MORS)



MANUAL OPERATION

Consideration should be given to selecting an automatic windlass with the option of Manual Operation. Manual operation is available on various Atlantic and Compact Models, refer to the model pages for further details.

Manual Override System (MORS): allows for manual retrieval of the anchor rode with the application of a standard sheet winch handle to the clutch cap on vertical models, and an extension handle for Compact models.

Manual Operating System (MOS): allows for manual operation featuring a special handle that fits to the top of the gypsy after the capstan or clutch top has been removed.

DETERMINING THE CAPACITY OF THE WINDLASS TO SUIT MY REQUIREMENTS

Once you have identified the windlasses that will suit your vessel based on the length and displacement from the table on page 6, you need to determine the lift capacity required for your application and then refer to the detailed information on the appropriate model.

Total weight of ground tackle
(anchor + rope / chain)

x 4

=

Maximum pulling power required by the windlass

WORK LOAD (continuous working of the winch)

If a winch works for long periods of time (in contrast to short intervals) then it would typically run at 25% of the maximum workload of the winch.

However, for shorter intervals (typical when weighing anchor) the rating is between 30%-40% of the maximum load of the windlass, and usually involves multiple stages of operation as the vessel is positioned up above the anchor and rode, breaks free from the seabed and is stowed.

At each stage the workload varies. During the breakout of the anchor from the seabed it will be at its maximum load peak. The windlass should not be used to haul the vessel to the anchor, but the vessel should be powered toward the anchor to minimise the load on the windlass.

CIRCUIT BREAKER

To protect the motor and wiring of the electric windlass and to qualify for warranty, a circuit breaker must be installed. An appropriate circuit breaker for the AMPs load should be used, to ensure that when the windlass is at its peak the circuit breaker does not trip. Your Muir office or local representative will supply the recommended circuit breaker to suit the windlass requirements for maximum safety.

SECURITY

To minimise unnecessary load on the windlass and drive gear whilst at anchor, the anchor rode should be secured with a chain stopper or snubber line. For a complete selection of safety accessories refer to the system accessories at the back of the catalogue.

GLOSSARY OF TERMS

AMPS Workload – determined as up to the maximum amps. **Anchor Rode** – the line that secures the anchor to the vessel, consisting of either rope, chain or a combination of rope and chain. **Automatic Free Fall** – Windlass releases automatic clutch by a means of a remote switch for rapid deployment. No user interaction. **Bridle** – chain stopper/compressor, devils claw. Located between the winch and bow roller. Secures chain and takes load off the winch/windlass. **Capstan** – drum, rope drum. The capstan is used for hauling rope. **Displacement** – The amount of water displaced by a floating vessel, usually measured in tonnes. **Fixed drive** – Direct couple from transmission to gypsy/capstan. **Free Fall** – Release of clutch manually releases the chain to freefall. **Gypsy** – **Chain gypsy, wildcat, chain wheel** – A special wheel with pockets to suit chain and or rope for hauling up the anchor and anchor rode. **Hauling** – weighing, lifting. The operation of lifting anchor, rope or chain. **Hawser** – chain pipe that anchor rode feeds through into locker. **Horizontal windlass/winch** – Drive shaft, capstan and gypsy are located horizontally to the deck. **Inline drive** – powerful and efficient integrated gearbox and motor. **Manual Operation System (MOS)** – Handle fits directly into gypsy by removing the capstan or clutch top. **Manual Override System (MOR)** – Handle fits into windlass top and over-rides the transmission and ratchet drive system. Power back up can be used. **Maximum Load** – The maximum operating load that could be applied to the windlass, but the load the winch would normally be subjected to is substantially less. **Max Line Speed** – Maximum speed the anchor rode could be retrieved at. **Ratchet drive** – Indirect couple from transmission to gypsy/capstan via a ratchet cone. This allows for normal powered operation and manual operation where some power is available. **RCMS** – Rope Chain Management System ref. p. 33. **Vertical windlass/winch** – Drive shaft, capstan and gypsy are located vertically to the deck. **Workload** – Typical lift. Usually up to 25% of the Maximum load.



3 YEAR WARRANTY (First Owner)

We warrant each new product manufactured by us to be free from defects in material and workmanship for a period of 3 years from date of purchase (subject to conditions and exclusions.)

CONDITIONS:

While this warranty applies to defects in material and workmanship, it does not apply to:

- Normal worn parts or to damage caused by neglect, lack of maintenance, accident, or improper service/installation or service by persons other than an authorised Muir representative.
- Muir shall not be responsible for failures due to products being used in applications that they are not intended for, or conditions that exceed the products performance specifications.
- For warranty claim, defective product must be returned to Muir for inspection.
- Muir will not be responsible for freight charges, removal or installation labour on warranty claims.

EXCLUSIONS:

Warranty is limited to twelve months for:

- Some fully imported winch products,
- Electric motors/controls/equipment,
- Hydraulic pumps/controls/valves,
- Weather seals,
- Use on Hire vessels.

All incidental and/or consequential damages are excluded from this warranty. Warranties of merchantability and fitness are excluded from this warranty. Implied warranties are limited to the life of this warranty. Some countries do not allow limitations on how long an implied warranty lasts or the exclusion or limitation of incidental or consequential damages, so the above may not apply to you. This warranty covers all products shown in this catalogue and purchased after January 1st 2002.

ABBREVIATIONS

DC	Direct Current
AC	Alternating Current
HYD	Hydraulic
gal	Gallons (US)
lt	Litres
MPa	Megapascal
PSI	Pounds per square inch
lb	Pound
kg	Kilogram
Min	Minute
m	Metre
mm	Millimetre
"	Inch
' / ft	Feet



Windlass Selection Guide

VESSEL LENGTH

Metres	6	8	10	12	14	16	18	20	25	30	35
Feet (ft)	20	26	33	39	46	52	59	66	82	100	115

MODELS

Atlantic & Storm Vertical Powered

VR/VRC 600	Page 10	■	■	■							
VR/VRC 850	Page 11	■	■	■	■						
VR/VRC 1250	Page 12			■	■	■					
VR/VRC 2200	Page 13					■	■	■			
VR/VRC 2500	Page 14					■	■	■	■		
VR/VRC 3500	Page 15						■	■	■	■	
VR/VRC 4000	Page 16							■	■	■	■

Atlantic Automatic Freefalls

VFF600	Page 9	■	■	■							
--------	--------	---	---	---	--	--	--	--	--	--	--

Drum Winches

DW08/DFF08	Page 17	■	■	■							
DW10/DFF10	Page 18		■	■	■						
DW12/DFF12	Page 18			■	■	■					
DW15/DFF15	Page 18				■	■	■				

Compact Automatic Freefalls

HFF600S	Page 21	■	■	■							
---------	---------	---	---	---	--	--	--	--	--	--	--

Compact Horizontal Powered

Easyweigh H900	Page 20	■	■	■	■						
H600S	Page 21	■	■	■	■						
HR700	Page 22		■	■	■						
HR1600 Cougar	Page 23			■	■	■					
HR2500 Cheetah	Page 23				■	■	■				
HR3500 Jaguar	Page 24					■	■	■			
HR4000 Thor	Page 24						■	■	■		
HR4200 Thor	Page 24							■	■	■	■

Vertical Powered Capstans

VC 650	Page 26		■	■	■						
VC 850	Page 26			■	■	■					
VC 2500	Page 26				■	■	■	■			
VC 3500	Page 26					■	■	■	■		
VC 4000	Page 26						■	■	■	■	■

Inline Vertical Powered Capstans

VC800	Page 27	■	■	■	■						
-------	---------	---	---	---	---	--	--	--	--	--	--

Manual Vertical

VM 500	Page 28		■	■	■	■					
--------	---------	--	---	---	---	---	--	--	--	--	--

For the full range of Muir accessories, refer page 29–33.

LEGEND

■ ■ ■ ■ **Heavy Displacement**

Refers to a vessel relatively heavy in weight compared to its overall length

■ ■ ■ ■ **Light Displacement**

Refers to a vessel relatively light in weight compared to its overall length



REFERENCE

- VR – Vertical Reversing with a Gypsy
- VRC – Vertical Reversing with a Gypsy and Capstan
- VFF – Vertical Freefall
- HFF – Horizontal Freefall
- VC – Vertical Capstan
- HR – Horizontal Reversing
- VM – Vertical Manual with Gypsy
- VMC – Vertical Manual with Gypsy and Capstan
- HM – Horizontal Manual
- H – Hawse Pipe



The specification in this section applies to vessels operating in safe weather conditions.

This information is to be used as a guide only and it is recommended that you contact your local Muir representative for further information on the appropriate system to meet your requirements.

Muir recommend where vessels are being used for charter or commercial purposes or for extended offshore cruising in rugged conditions or where average displacement puts them at the upper limit of the windlass size a larger model should be selected.

Displacement, windage and anchoring conditions are factors to consider when selecting a Muir system and it is advisable to select a larger windlass and ground tackle if anchoring in exposed conditions.

All systems assume the use of a chain stopper or chain snubber line to prevent load being placed on the windlass when breaking loose the anchor.



Vertical Windlasses

Atlantic & Storm Stainless Steel Range

Atlantic Range

The award winning Muir Atlantic series with luxury chrome bronze finish revolutionises rope chain windlass technology. They are the preferred choice for high performance and smooth operation of rope-chain or chain only anchor rodes. The Atlantic series of vertical windlasses provides the strength of conventional vertical windlasses but with advanced and innovative concepts. Recognised for their sleek curved lines, Atlantics are available in low profile (VR) or capstan (VRC) configurations, with models to suit all recreational and commercial vessels up to 35m(115ft).

Atlantic windlasses provide the highest level of security and safety, whilst enhancing the foredeck of the most luxurious vessel.

FAST RETRIEVAL

Using the latest in efficient windlass drives, the Atlantic series provides effective and rapid anchor retrieval with high speeds of up to 25 metres per minute on some models, whilst also allowing smooth deployment of the anchor rode and chain.

ROPE-CHAIN COMBINATION RODES

The Rope Chain Management System (RCMS) on Atlantic and Storm windlasses consists of a spring loaded finger & 180 degree stripper arrangement that provides smooth transition for rope-chain combination, and carefully guides the anchor rode into the chain locker. This is aided by a unique combination rope and chain gypsy with special inner rope jaws and outer chain pockets that automatically accommodates both the rope and chain rode. A 180 degree stripper/peeler assembly fits to the gypsy hub preventing the rode from jamming and allowing a smooth vertical drop into the chain locker. RCMS is standard on all models up to VR/C4000 range.

MANUAL OPERATION

The Atlantic series offers two manual operation alternatives. The Manual Override System (MORS) is standard on the premium Atlantic 1000 and 1200 models and optional on most other models, and provides manual retrieval of the rope and chain or chain only rode by simply applying a standard sheet winch handle to the top of the windlass. The Manual Operating System (MOS) features a special handle that fits into the top of the gypsy once the capstan or clutch top has been removed. MOS is optional on most Atlantic and Storm models.

REDUCED INSTALLATION TIME

Atlantic windlass bases accommodate a self-aligning gearbox adaptor that reduces installation time allowing the gearbox and motor to be installed directly onto the shaft in any radial position and alleviating distortion between the deck plate and gearbox flange. A sealed shaft protects the transmission below deck.

STYLE

Atlantic windlasses are modern, stylish and their unobtrusive design ensures space is maximized and the foredeck enhanced without comprising performance and durability.

FREEFALL RANGE

Automatic Freefall Atlantic models provide rapid freefall and total control when anchoring, and all with the flick of a switch. There is an Atlantic model to suit every application, available with DC, AC or Hydraulic power options and for vessels up to 13m/42ft the new inline drive. Unique swivel integrated chain pipes ensure access to your anchor rode at all times, & with a complete range of accessories to suit, anchoring just doesn't get any easier!



Storm Stainless Steel Range

The New Storm Stainless Steel Range from Muir epitomises the latest in anchor windlass technology. Designed for vessels 8 - 25m (26-85ft), and in low profile and capstan configurations, the Storm Stainless Steel Windlasses offer fast powered retrieval, smooth rope chain combination operation, reduced installation time, style and unbeatable reliability. Manufactured from polished stainless steel components the Storm Windlass will weather the harshest of conditions.

Storm Windlasses represent the pinnacle of reliability and performance and are packed with the features and quality you have come to expect from Muir. Designed on the principals of the award winning Atlantic series, with all its features and more...

The Storm Stainless Steel Range is backed by a 3 year warranty and supported by an extensive worldwide sales and service network.



Quick Fit Adaptor



Designed for

- Easy installation
- Fix the windlass to the deck and simply slip the motor and gearbox into position
- Strong stainless steel construction
- Easy to remove the motor and gearbox for maintenance, simply remove 1 bolt and the quick fit retaining clip and the motor and gearbox assembly slides off
- Standard supply on 850 / 1250 / 2200 Storm models
- Positions available for 360° rotation of motor / gearbox.

Quick Fit Assembly/Disassembly

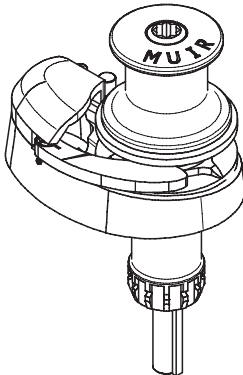
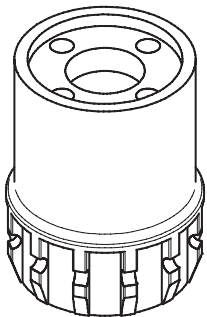


Fig. 1 Top unit assembly as received by customer.

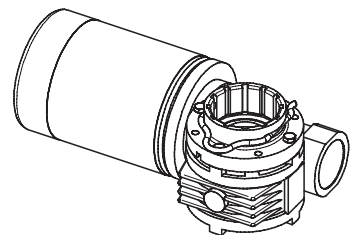


Fig. 2 Bottom unit assembly as received by customer.

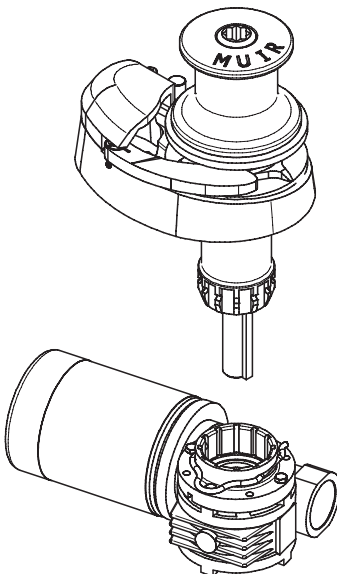
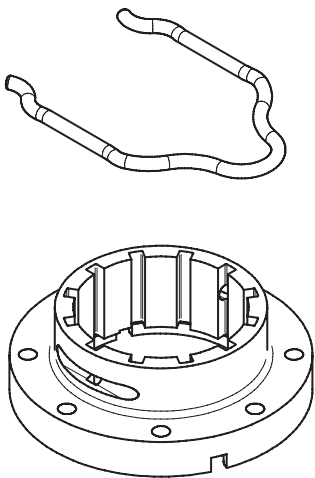


Fig. 3 Align motor and gear box for your required position then slide up shaft until spring retains gear box mount.

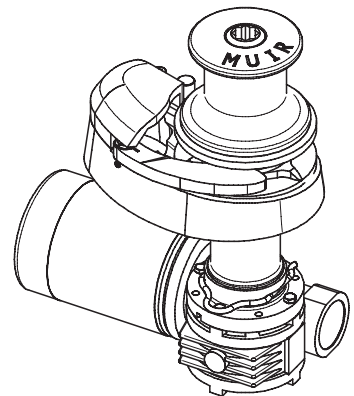


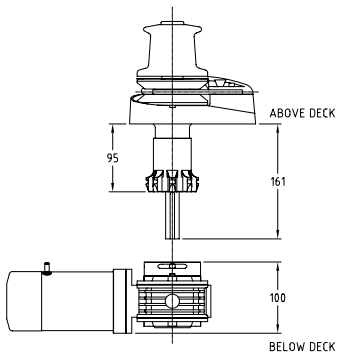
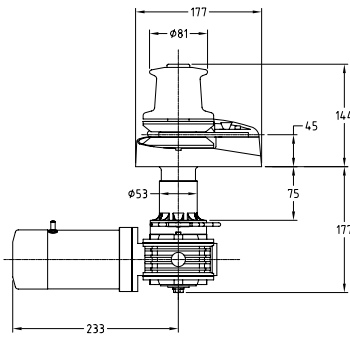
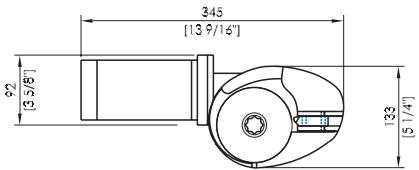
Fig. 4 Bolt retaining washer to end of drive shaft to complete the finished unit.



Atlantic Automatic Freefalls 600



VFF600



Model	VFF600
VESSEL LENGTH	5 - 9m 16 - 29ft
POWER SUPPLY (DC)	12V
MOTOR (Watts)	600
HYDRAULIC PRESSURE	N/A N/A
HYDRAULIC FLOW	N/A N/A
MAX LOAD	300kg 660lb
WORK LOAD	75kg 165lb
AMPS WORK LOAD	40/80
MAX LINE SPEED	20m/min 64ft/min
CHAIN SIZE	6 - 7mm 1/4 - 9/32"
ROPE SIZE	12mm 1/2"
NET WEIGHT	DC 12kg DC 26lb
MANUAL OPERATION	N/A

Features

- Automatic freefall capability
- Rope chain combination gypsy for rope and chain combination or chain only
- Rope Chain Management System (RCMS)
- Sleek low profile clutch top arrangement
- Heavy duty dual direction motor in 12 & 24V DC
- Luxury chromed finish over marine grade bronze
- Self aligning gearbox/adaptor
- Stainless steel shaft
- Cone clutch/brake
- Stainless steel mounting bolts
- Shaft seal
- Lubricating grease nipple
- Clutch release handle
- Installation/Operation booklet



Options

- Traditional polished bronze finish
- Extra deck clearance kit for any deck thickness
- Full range of accessories including chain, rope, anchors, anchor roller, chain stoppers, snubber kits & devil claws
- Electric & hydraulic operating options & accessories



MUIR SINCE 1968

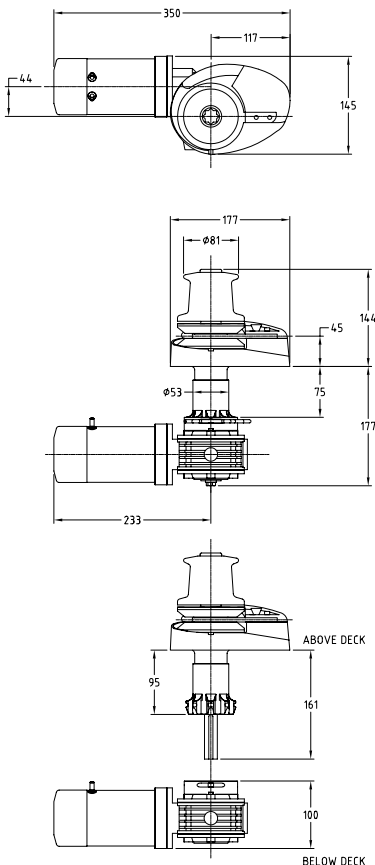
Storm 600 **STAINLESS**



VR600



VRC600



Model	VR/VRC600
VESSEL LENGTH	5 - 9m 16 - 29ft
POWER SUPPLY (DC)	12/24V
MOTOR (Watts)	600
MAX LOAD	300kg 660lb
WORK LOAD	75kg 165lb
AMPS WORK LOAD	40/80
MAX LINE SPEED	25m/min 80ft/min
CHAIN SIZE	6 - 7mm 1/4 - 9/32"
ROPE SIZE	12mm 1/2"
NET WEIGHT	DC VR 12kg VRC 12.5kg DC VR 26lb VRC 28lb
MANUAL OPERATION	N/A

Features

- Rope chain combination gypsy for rope and chain combination or chain only.
- Rope Chain Management System (RCMS)
- Quick release integrated swivel chain pipe cover
- Gypsy with capstan (VRC) or gypsy with low profile clutch top arrangement (VR)
- Heavy duty marine grade, dual direction motor in 12V DC, 24V
- 316 Stainless steel
- Independent gypsy and capstan operation (VRC model)
- Capstan models feature heavy duty knurled finish for increased grip
- Quick fit adaptor
- Stainless steel shaft
- Cone clutch/brake
- Stainless steel mounting bolts
- Shaft seal
- Lubricating grease nipple
- Clutch release handle
- Installation/Operation booklet

Options

- Gypsy lock
- Inline drive
- Extra deck clearance kit for any deck thickness
- Full range of accessories including chain, rope, anchors, anchor roller, chain stoppers, snubber kits, devil claws
- Electrical operating options & accessories
- Auto anchor





MUIR SINCE 1968

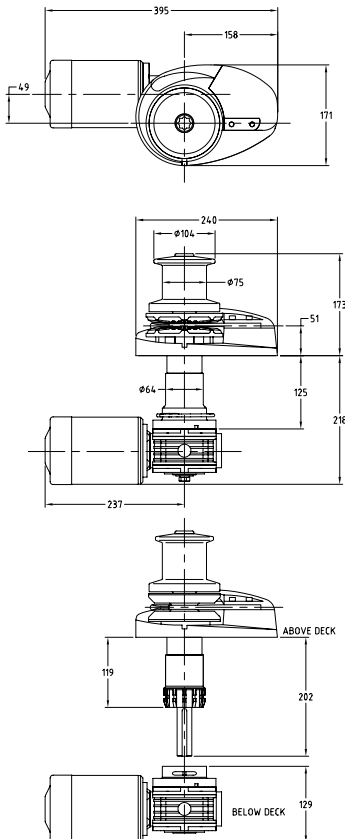
Storm VR/VRC850 **STAINLESS**



VR850



VRC850



Model	VR/VRC850
VESSEL LENGTH	8 - 11m 26 - 35ft
POWER SUPPLY (DC)	12/24V
MOTOR (Watts)	600
MAX LOAD	386kg 850lb
WORK LOAD	96kg 212lb
AMPS WORK LOAD	80/50
MAX LINE SPEED	24m/min 77ft/min
CHAIN SIZE	6 - 8 - 10mm 1/4 - 5/16 - 3/8"
ROPE SIZE	12 - 14 - 16mm 1/2 - 9/16 - 5/8"
NET WEIGHT	DC/HYD VR 15kg VRC 16.5kg DC/HYD VR 33lb VRC 37lb
MANUAL OPERATION	MOS (opt)

Features

- Polished stainless steel components.
- Rope chain combination gypsy for rope and chain combination or chain only
- Rope Chain Management System (RCMS)
- Quick release integrated swivel chain pipe cover
- Gypsy with low profile clutch top arrangement
- Heavy duty marine grade, dual direction motor in 12V and 24V DC
- Independent gypsy and capstan operation
- Capstan models feature heavy duty knurled finish for increased grip
- Quick fit adaptor
- Stainless steel shaft
- Cone clutch/brake
- Stainless steel mounting bolts
- Shaft seal
- Self lubricating bush
- Clutch release handle
- Installation/Operation booklet



Options

- Manual Operation System (MOS)
- Extra deck clearance kit for deck up to 150mm/6"
- Full range of accessories including chain, rope, anchors, anchor roller, chain stoppers, snubber kits and devil claws
- Electrical operating options and accessories
- Auto anchor



MUIR SINCE 1968

Storm VR/VRC1250 **STAINLESS**

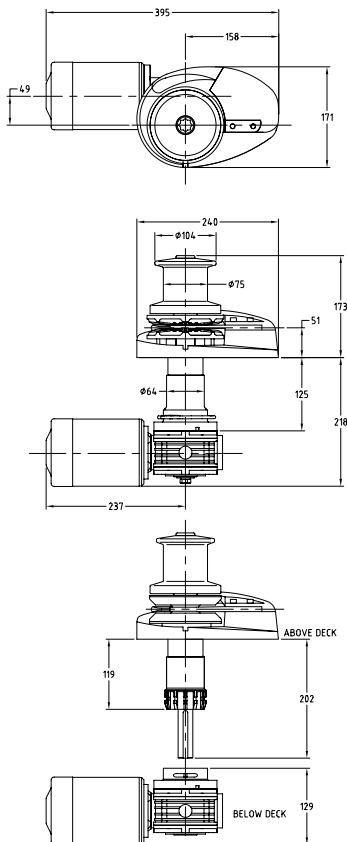


VR1250



VRC1250

Model	VR/VRC1250
VESSEL LENGTH	10 - 13m 32 - 42ft
POWER SUPPLY (DC)	12/24V
MOTOR (Watts)	1000
HYDRAULIC PRESSURE	8MPa 1160PSI
HYDRAULIC FLOW	15L/min 4gal/min
MAX LOAD	500kg 1100lb
WORK LOAD	125kg 275lb
AMPS WORK LOAD	100/60
MAX LINE SPEED	15m/min 48ft/min
CHAIN SIZE	6 - 8 - 10mm 1/4 - 5/16 - 3/8"
ROPE SIZE	12 - 14 - 16mm 1/2 - 9/16 - 5/8"
NET WEIGHT	DC VR 20kg VRC 22kg HYD VR 15.5kg VRC 17kg DC VR 44lb VRC 48lb HYD VR 34lb VRC 38lb
MANUAL OPERATION	MOS (opt)



Features

- Polished stainless steel components
- Rope chain combination gypsy for rope and chain combination or chain only
- Rope Chain Management System (RCMS)
- Quick release integrated swivel chain pipe cover
- Gypsy with low profile clutch top arrangement
- Heavy duty marine grade, dual direction motor in 12V and 24V DC, Hydraulic
- Independent gypsy and capstan operation
- Capstan model features heavy duty knurled finish for increased grip
- Quick fit adaptor
- Stainless steel shaft
- Cone clutch/brake
- Stainless steel mounting bolts
- Shaft seal
- Self lubricating bush
- Clutch release handle
- Installation/Operation booklet



Options

- Manual Operation System (MOS)
- Extra deck clearance kit for deck up to 150mm/6"
- Full range of accessories including chain, rope, anchors, anchor roller, chain stoppers, snubber kits and devil claws
- Electric and hydraulic operating options and accessories
- Auto anchor



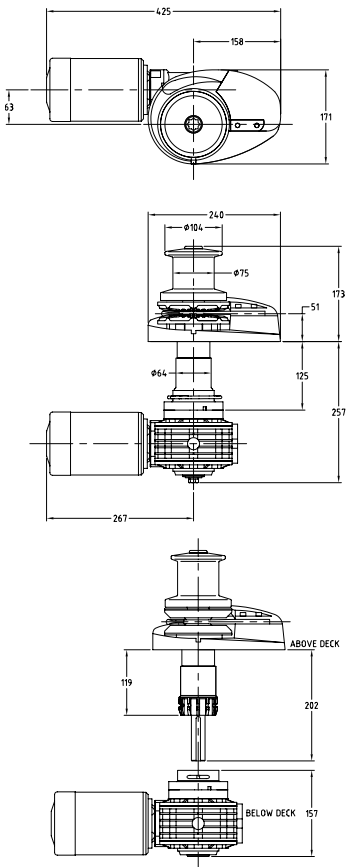
Storm VR/VRC2200 **STAINLESS**



VR2200



VRC2200



Model	VR/VRC2200
VESSEL LENGTH	12 - 15m 38 - 48ft
POWER SUPPLY (DC)	12/24V
MOTOR (Watts)	1200
HYDRAULIC PRESSURE	10MPa 1450PSI
HYDRAULIC FLOW	15L/min 4gal/min
MAX LOAD	1000kg 2200lb
WORK LOAD	250kg 550lb
AMPS WORK LOAD	120/75
MAX LINE SPEED	15m/min 50ft/min
CHAIN SIZE	6 - 8 - 10mm 1/4 - 5/16 - 3/8"
ROPE SIZE	12 - 14 - 16mm 1/2 - 9/16 - 5/8"
NET WEIGHT	DC VR 23.5kg VRC 25kg HYD VR 22.5kg VRC 24kg DC VR 52lb VRC 55lb HYD VR 50lb VRC 53lb
MANUAL OPERATION	MOS (opt)

Features

- Polished stainless steel components
- Rope chain combination gypsy for rope and chain combination or chain only
- Rope Chain Management System (RCMS)
- Quick release integrated swivel chain pipe cover
- Gypsy with low profile clutch top arrangement
- Heavy duty marine grade, dual direction motor in 12V and 24V DC, Hydraulic
- Independent gypsy and capstan operation
- Capstan model features heavy duty knurled finish for increased grip
- Quick fit adaptor
- Stainless steel shaft
- Cone clutch/brake
- Stainless steel mounting bolts
- Shaft seal
- Self lubricating bush
- Clutch release handle
- Installation/Operation booklet



Options

- Manual Operation System (MOS)
- Extra deck clearance kit for deck up to 150mm/6"
- Full range of accessories including chain, rope, anchors, anchor roller, chain stoppers, snubber kits and devil claws
- Electric and hydraulic operating options and accessories
- Auto anchor



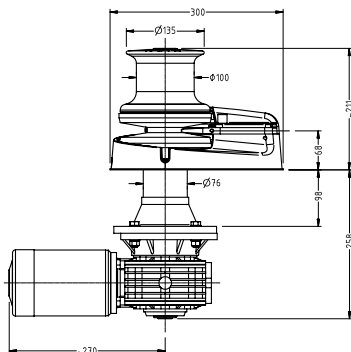
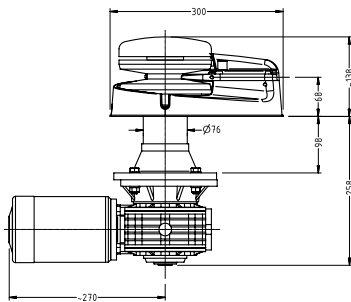
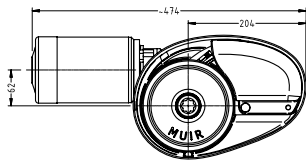
Storm 2500 **STAINLESS**



VR2500



VRC2500



Model	VR/VRC2500	
VESSEL LENGTH	14 - 20m	
	45 - 64ft	
POWER SUPPLY (DC)	12/24V	AC Electric available
MOTOR (Watts)	1200	
HYDRAULIC PRESSURE	10MPa	
	1450PSI	
HYDRAULIC FLOW	20L/min	
	5.5gal/min	
MAX LOAD	1136kg	
	2500lb	
WORK LOAD	284kg	
	624lb	
AMPS WORK LOAD	120/75	
MAX LINE SPEED	13.5m/min	
	44ft/min	
CHAIN SIZE	8 - 10 - 13mm (chain only)	
	5/16 - 3/8 - 1/2"	
ROPE SIZE	14 - 16 - 19mm	
	9/16 - 5/8 - 3/4"	
NET WEIGHT	DC VR 40kg VRC 44kg HYD VR 38kg VRC 42kg	
	DC VR 88lb VRC 96lb HYD VR 84lb VRC 92lb	
MANUAL OPERATION	MORS (opt)	MOS (opt)

Features

- Rope chain combination gypsy for rope and chain combination or chain only
- Quick release integrated swivel chain pipe cover
- Gypsy with capstan (VRC) or gypsy with low profile clutch top arrangement (VR)
- Heavy duty marine grade, dual direction motor in 12 & 24V DC, Hydraulic & AC
- Polished Stainless steel components
- Independent gypsy and capstan operation
- Capstan model features heavy duty fluted finish for increased grip
- Self aligning gearbox/adaptor
- Stainless steel shaft
- Cone clutch/brake
- Stainless steel mounting bolts
- Shaft seal
- Lubricating grease nipple
- Clutch release handle
- Rope Chain Management System (RCMS)
- Installation/Operation booklet



Options

- Round base VR/VRC model (chain only)
- AC electric motor available
- Mirror image models available
- Manual Override System (MORS)
- Manual Operation System (MOS)
- Traditional polished bronze finish
- Extra deck clearance kit for any deck thickness
- Full range of accessories including chain, rope, anchors, anchor roller, chain stoppers, snubber kits & devil claws
- Electric & hydraulic operating options & accessories
- Auto anchor



Round base
Muir Atlantic 2500



MUIR SINCE 1968

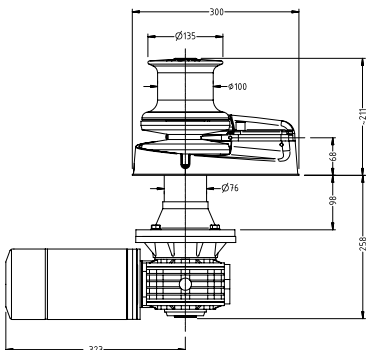
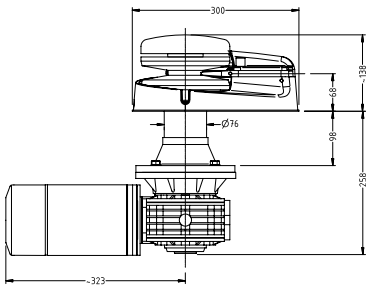
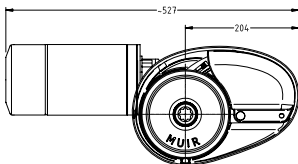
Storm 3500 **STAINLESS**



VR3500



VRC3500



Model	VR/VRC3500	
VESSEL LENGTH	15 - 24m	
	48 - 77ft	
POWER SUPPLY (DC)	12/24V	AC Electric available
MOTOR (Watts)	1500	
HYDRAULIC PRESSURE	10MPa	
	1450PSI	
HYDRAULIC FLOW	28L/min	
	7.5gal/min	
MAX LOAD	1590kg	
	3500lb	
WORK LOAD	397kg	
	875lb	
AMPS WORK LOAD	150/85	
MAX LINE SPEED	13.5m/min	
	44ft/min	
CHAIN SIZE	8 - 10 - 13mm (chain only)	
	5/16 - 3/8 - 1/2"	
ROPE SIZE	14 - 16 - 19mm	
	9/16 - 5/8 - 3/4"	
NET WEIGHT	DC VR 42kg VRC 46kg HYD VR 38kg VRC 42kg	
	DC VR 92lb VRC 101lb HYD VR 84lb VRC 92lb	
MANUAL OPERATION	MORS (opt)	MOS (opt)

Features

- Rope chain combination gypsy for rope and chain combination or chain only
- Quick release integrated swivel chain pipe cover
- Gypsy with capstan (VRC) or gypsy with low profile clutch top arrangement (VR)
- Heavy duty marine grade, dual direction motor in 12 & 24V DC, hydraulic & AC
- Polished Stainless steel components
- Independent gypsy and capstan operation
- Capstan model features heavy duty fluted finish for increased grip
- Self aligning gearbox/adaptor
- Stainless steel shaft
- Cone clutch/brake
- Stainless steel mounting bolts
- Shaft seal
- Lubricating grease nipple
- Clutch release handle
- Rope Chain Management System (RCMS)



Options

- Round base VR/VRC model (chain only)
- AC electric motor available
- Mirror image models available
- Manual Override System (MORS)
- Manual Operation System (MOS)
- Traditional polished bronze finish
- Extra deck clearance kit for any deck thickness
- Full range of accessories including chain, rope, anchors, anchor roller, chain stoppers, snubber kits & devil claws
- Electric & hydraulic operating options & accessories
- Auto anchor



Round base
Muir Atlantic 3500



MUIR SINCE 1968

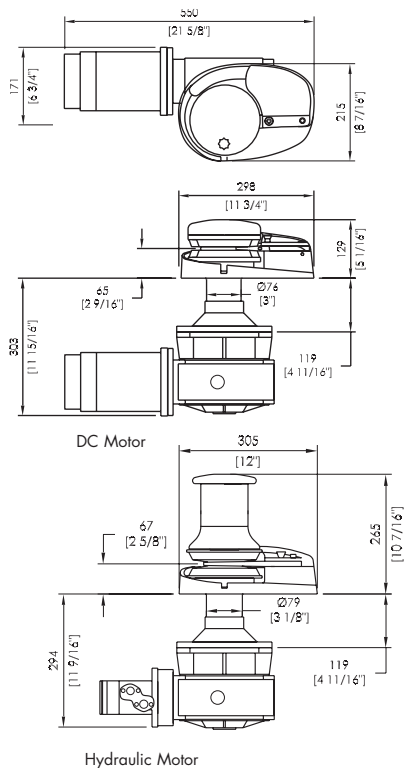
Storm 4000 **STAINLESS**



VR4000



VRC4000



Model	VR/VRC4000	
VESSEL LENGTH	18 - 26m 58 - 83ft	
POWER SUPPLY (DC)	24V	AC Electric available
MOTOR (Watts)	2000	
HYDRAULIC PRESSURE (bar/PSI)	200 2900PSI	
HYDRAULIC FLOW	22L/min 5.8gal/min	
MAX LOAD	1818kg 4000lb	
WORK LOAD	720kg 1584lb	
AMPS WORK LOAD	150/70	
MAX LINE SPEED	20m/min 66ft/min	
CHAIN SIZE	8 - 10 - 13mm 5/16 - 3/8 - 1/2"	
ROPE SIZE	14 - 16 - 19mm 9/16 - 5/8 - 3/4"	
NET WEIGHT	DC VR 54kg VRC 58kg HYD VR 50kg VRC 55kg DC VR 119lb VRC 119lb HYD VR 110lb VRC 121lb	
MANUAL OPERATION	MORS (std)	

Features

- Rope chain combination gypsy for rope and chain combination or chain only
- Quick release integrated swivel chain pipe cover
- Gypsy with capstan (VRC) or gypsy with low profile clutch top arrangement (VR)
- Heavy duty marine grade, dual direction motor in 12 & 24V DC, AC & Hydraulic
- Polished Stainless steel components
- Independent gypsy and tall capstan operation
- Capstan model features heavy duty fluted finish for increased grip
- Self aligning gearbox/adaptor
- Stainless steel shaft
- Cone clutch/brake
- Stainless steel mounting bolts
- Shaft seal
- Lubricating grease nipple
- Clutch release handle
- Rope Chain Management System (RCMS)
- Installation/Operation booklet



Options

- Manual Override System (MORS)
- Round base VR/VRC model (chain only)
- AC electric motor available
- Mirror image models available
- Traditional polished bronze finish
- Extra deck clearance kit for any deck thickness
- Full range of accessories including chain, rope, anchors, anchor roller, chain stoppers, snubber kits & devil claws
- Electric & hydraulic operating options & accessories
- Auto anchor



Round base
Muir Atlantic 4000



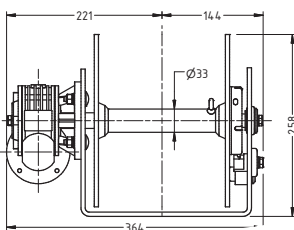
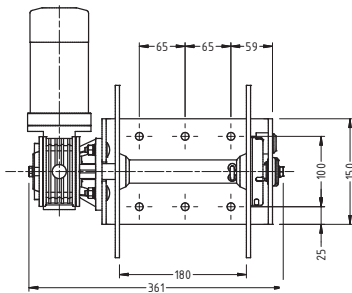
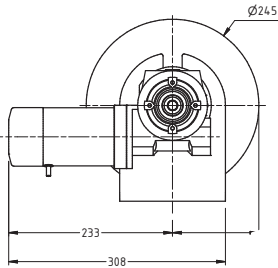
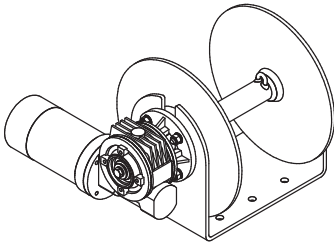
Drum Winches

DW08 Power Up/Power Down DFF08 FreeFall



DW08/DFF08 FreeFall

Model	DW08 / DFF08
VESSEL LENGTH	5 - 8m 16 - 26ft
POWER SUPPLY (DC)	12V
MOTOR (Watts)	600
MAX LOAD	180kg at 7m/min 400lb
WORK LOAD	75kg at 33m/min
MAX LINE SPEED	33m/min
CHAIN SIZE (Various)	6 - 8mm 1/4 - 5/16"
ROPE SIZE (Various)	8mm 5/16"
NET WEIGHT (KG)	15/16
CAPACITY (Drum)	120m of 6mm line or 80m of 8mm line + 6m of 6mm chain



- Muir's patented Auto Free Fall, Power Up & Power Down, or Manual Release Free Fall are all available to you on the 1 unit!
- Mechanical Auto & Manual Release Free Fall means no troublesome electronics need to be mounted on the Drum or in your chain locker.
- Drum Shaft on a serviceable bearing centre for smooth hassle free operation even under full load.
- Muir's designed HDPE & UV protected Heavy Duty Brake means no over-run of the Drum during Free Fall.
- All Muir Free Falling Drum Winches are supplied with Circuit Breaker, Reversing Solenoid Pack, Helm Control Switch and Fascia Panels, plus, Simple Tools & Hardware for an easy 30 second adjustment from Auto Free Fall; to Manual Free Fall and Power Up Power Down options!
- Installation Instructions and Service Manual provided, and backed by Muir's 3 year limited warranty!
- Anchoring made easy, fast, and reliable with a Muir Drum Winch.
- No electronic components to fail.
- Larger Drum capacity than other Free Falls on the market.
- Does not require any more space than the standard Drum Winch



Features

- Compact Anchoring system to suit boats with little or no anchor rode storage.
- Designed and made in Australia.
- Drum-316 stainless Steel.
- 3 year limited warranty.
- Inc. Reversing Solenoid, 100 amp circuit breaker and Up / Down Rocker switch.
- Fitting Instructions Included with full electrical wiring diagram.
- Simple installation.
- "Tangle free" rope and chain operation.



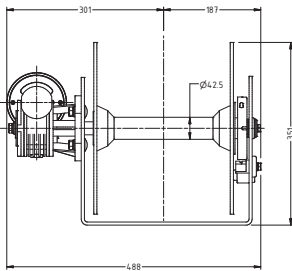
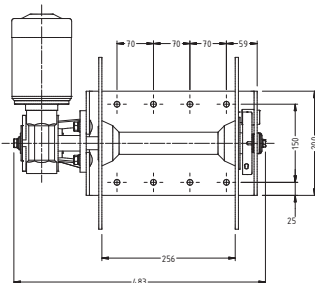
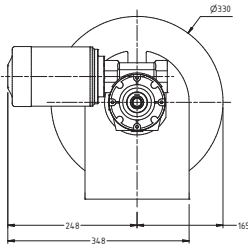
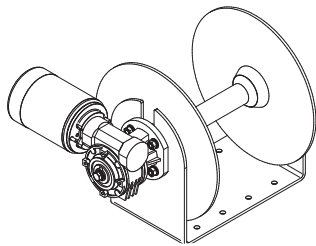
Drum Winch rope/
chain guide rollers

Drum Winches

DW10/DW12/DW15 Power Up/Power Down DFF10/DFF12/DFF15 FreeFall



DW10/DFF10 FreeFall
DW12/DFF12 FreeFall
DW15/DFF15 FreeFall



DFF10 FreeFall

Note: DFF12 and DFF15 will have a larger motor and gearbox

Model	DW10 / DFF10	DW12 / DFF12	DW15 / DFF15
VESSEL LENGTH	8 - 10m 26 - 34ft	10 - 12m 34 - 40ft	12- 14m 40 - 47ft
POWER SUPPLY (DC)	12/24V	12/24V	12/24V
MOTOR (Watts)	1000	1200	1500
MAX LOAD	260kg 575lb	312kg 690lb	390kg at 8m/min 860lb
WORK LOAD (KG)	75	90	112 at 33m/min
MAX LINE SPEED	33m/min	33m/min	33m/min
CHAIN SIZE (Various)	8 - 10mm 5/16 - 3/8"	8 - 10mm 5/16 - 3/8"	10 - 12mm 3/8 - 1/2"
ROPE SIZE (Various)	10mm 3/8"	10mm 3/8"	12mm 1/2"
NET WEIGHT (KG)	30/31	32/34	35/37
CAPACITY (Drum)	100m of 8mm line or 80m of 10mm line + 6m of 8mm chain		

- Muir's patented Auto Free Fall, Power Up & Power Down, or Manual Release Free Fall are all available to you on the 1 unit!
- Mechanical Auto & Manual Release Free Fall means no troublesome electronics need to be mounted on the Drum or in your chain locker.
- Drum Shaft on a serviceable bearing centre for smooth hassle free operation even under full load.
- Muir's designed HDPE & UV protected Heavy Duty Brake means no over-run of the Drum during Free Fall.
- All Muir Free Falling Drum Winches are supplied with Circuit Breaker, Reversing Solenoid Pack, Helm Control Switch and Fascia Panels, plus, Simple Tools & Hardware for an easy 30 second adjustment from Auto Free Fall; to Manual Free Fall and Power Up Power Down options!
- Installation Instructions and Service Manual provided, and backed by Muir's 3 year limited warranty!
- Anchoring made easy, fast, and reliable with a Muir Drum Winch.
- No electronic components to fail.
- Larger Drum capacity than other Free Falls on the market.
- Does not require any more space than the standard Drum Winch



Features

- Compact Anchoring system to suit boats with little or no anchor rode storage.
- Designed and made in Australia.
- Drum-316 stainless Steel.
- 3 year limited warranty.
- Inc. Reversing Solenoid, 100 amp circuit breaker and Up / Down Rocker switch.
- Fitting Instructions Included with full electrical wiring diagram.
- Simple installation.
- "Tangle free" rope and chain operation.



Drum Winch rope/
chain guide rollers



Compact Horizontal Windlasses

The powerful Compact range of horizontal windlasses provides the perfect alternative to vertical models for all recreational, commercial and fishing vessels up to 25 metres.

Compact series of horizontal windlasses are ideal for installations where chain locker space is at a premium or not easily accessible. These complete above deck units are constructed from durable marine alloy housings enclosing the powerful and heavy duty motor and gearbox, waterproofing and protecting it from the harsh elements. All running gear is designed for durability and performance, manufactured from marine grade bronze with luxury chrome or optional traditional polished bronze finish.

The Compact series incorporates many of the innovative features available across the Atlantic range.

ROPE CHAIN MANAGEMENT SYSTEM (RCMS) OPTIONAL

All compact models can be used with rope-chain anchor rodes.

The Rope Chain Management System (RCMS) facilitates smooth rope-chain operation and is available by replacing a standard chain pipe with the RCMS unit. RCMS incorporates a spring loaded finger arrangement fitted to a separate chain pipe that directs and pushes the rope into the inner jaw of the gypsy whilst allowing the chain to follow and pass through automatically. A stripper/peeler assembly fits around the gypsy hub to prevent the rope from jamming and facilitates a smooth vertical drop into the chain locker. RCMS is an integrated and standard unit on the HR600S and HR700 and should be considered for all Compact models where rope-chain combination is being utilised.

INDEPENDENT ROPE CAPSTAN OPERATION

Most Compact models feature a knurled capstan that can be operated independently of the gypsy/chainwheel for line handling or auxillary purposes.

MANUAL OPERATION

Manual operation is standard on all models from HR1200 to 4200 ensuring complete back up should battery power fail or emergency situation prevail.

EASE OF INSTALLATION

Installation of the Compact range is quick & simple with no separate drive assembly to be mounted below deck.

PERFORMANCE

Operational performance of the Compact models is further enhanced by the high vertical drop to the chain locker and the 90 degree wrap of chain and rope on the gypsy that provides quick and trouble free deployment and retrieval.

AUTOMATIC FREEFALL

Muir's Compact range of windlasses includes automatic freefall models. These windlasses provide AUTOMATIC and rapid free fall with a simple flick of a switch from the helm. The freefall can be interrupted at any stage. Ideal for single-handed boating, fishing, or for vessels with inaccessible foredecks.

AND MORE...

The Compact range is available in 12 & 24 volt and hydraulic options. Muir offer a full range of accessories to suit the Compact models including electric controls, chain, rope, anchors, anchor rollers and chain stoppers.



EASYWEIGH H900



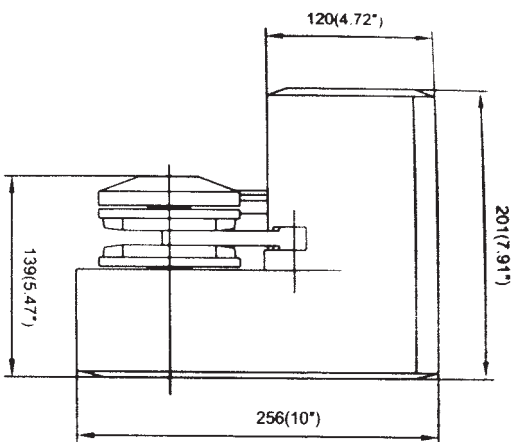
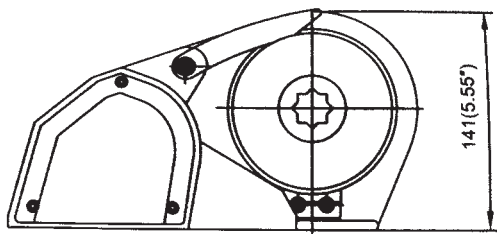
EASYWEIGH Horizontal Windlass - Suitable for boats from 6m to 11m

A horizontal winch with the housing made of highly polished 316 Stainless steel. The Powerful and Compact all above deck windlass specially for the harsh conditions of the sea.

Suitable for the vessel with limited space under the deck.

Easy to install and works with chain only or rope/chain combination.

Model	Horizontal 900W
VESSEL LENGTH	6 - 11m 20 - 37ft
POWER SUPPLY (DC)	12V
MOTOR (Watts)	900
MAX LOAD	350kg 772lb
WORK LOAD	180kg 397lb
MAX LINE SPEED	23m/min 75ft/min
CHAIN SIZE	6 - 8mm (1/4 - 5/16")
ROPE SIZE (3PLY)	12 - 14mm 1/2 - 9/16"
NET WEIGHT	13kg



Features

- Compact anchoring system to suit boats from 6m to 11m
- 316 Stainless Steel components
- Includes reversing solenoid, 100 amp circuit breaker and Helm Station up/down rocker switch
- Installation instructions included with full electrical wiring diagram and backed by Muir's 3 year limited warranty
- Simple installation
- Rope /Chain capability
- Deck mounting studs & fasteners





H600S/HFF600S

SILVER

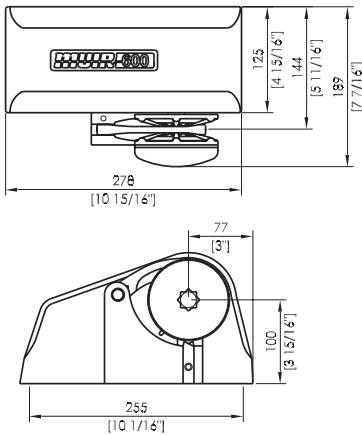
Your choice of either the standard Manual (H600S), Power Up & Power Down (with Manual Release), or the Muir's Patented Auto Free Fall (HFF600S), or Free Fall with Manual Release are all available.

Designed for vessels 5-8m (16-26ft) and offering fast powered retrieval, smooth rope chain combination operation, reduced installation time, style and unbeatable reliability. Ideal for recreational users and for serious fishermen.

The H600S/HFF600S will weather the harshest of conditions and is backed by Muirs' three year warranty and supported by an extensive worldwide service network.

When precision engineering, high performance, service, quality controlled design and manufacturing count... it's the new H600S/HFF600S series from Muir.

H600S/HFF600S



HFF600

Model	H600S (Manual FreeFall) & HFF600s (Auto FreeFall)
VESSEL LENGTH	5 - 8m 16 - 26ft
POWER SUPPLY (DC)	12V
MOTOR (Watts)	400
MAX LOAD	220kg 484lb
WORK LOAD	60kg 132lb
AMPS WORK LOAD	60
MAX LINE SPEED	23m/min 75ft/min
CHAIN SIZE	6mm (1/4")
CORE #116	Australian Shortlink and DIN 766
CORE #117	HT, 3B
ROPE SIZE (3PLY)	12mm 1/2"
NET WEIGHT	9kg

Features

- Powerful 400w/12v DC permanent magnet motor coupled to heavy duty gearbox, offering greater pulling power and longevity
- Muir's anodized aluminium housing and top coat with quality AWL GRIP silver metallic finish looks stylish and made to last in the harshest of environments
- New SS316 components, including SS316 Clutch Cap, Stripper and Peeler
- HFF600S with Muir's patented FreeFall design
- Motor & gearbox combination with CRC Soft Seal covering film provides additional protection and trouble free operation
- Simple above deck unit for the easiest of installations and minimal intrusion into the chain locker
- Compact design perfectly suited where deck area or chain locker space and depth is at a premium
- Designed and made in Australia



Standard package comprises

- Circuit breaker & mounting panel w/ LED
- Helm control rocker switch & mounting panel
- Reversing solenoid kit - 12v 2-4 pole
- Clutch release handle
- Installation & operation manual
- Deck mounting studs & fasteners





Compact HR700/HFF700



HR700/HFF700

Model	HR700/HFF700
Vessel Length	8 - 11m 26 - 35ft
Power Supply (DC)	12V
Motor (Watts)	600
Max Load	318kg 700lb
Work Load	57kg 125lb
Amps work load	80
Max Line Speed	25m/min 80ft/min
Chain Size	6 - 8mm 1/4 - 5/16"
Rope Size	12 - 14mm 1/2 - 9/16"
Net Weight	DC 12kg DC 26lb
MANUAL OPERATION	N/A

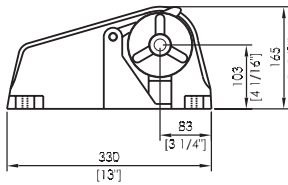
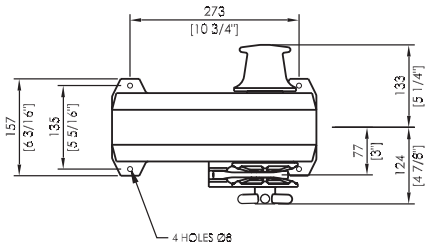
Features

- HR700 Power Up/Power Down, with manual release
- Rope chain combination gypsy for rope & chain combination or chain only
- Rope Chain Management System (RCMS)
- Heavy duty dual direction motor in 12 & 24V DC
- Durable marine grade white gloss finish alloy housing
- Fully enclosed motor & gearbox
- Independent gypsy and capstan operation
- Luxury chromed marine grade bronze running gear
- Stainless steel drive shaft
- Cone clutch/brake
- Stainless steel mounting studs
- Shaft seal
- Clutch release handle
- Installation/Operation booklet



Options

- HFF700 fully automatic free fall
- Full range of accessories including chain, rope, anchors, anchor roller, chain stoppers, snubber kits & devil claws
- Electrical operating options & accessories
- Auto anchor



HR700



Compact 1600/2500

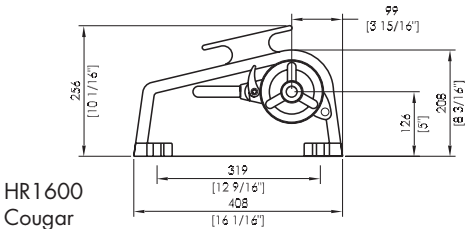
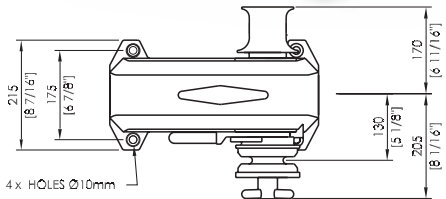


HR1600
Cougar

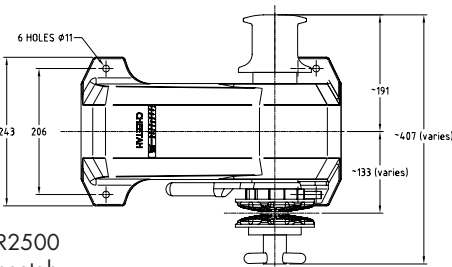
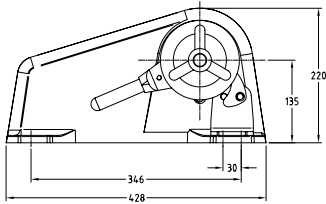
New lightweight housing



HR2500
Cheetah



HR1600
Cougar



HR2500
Cheetah

Model	HR1600 Cougar	HR2500 Cheetah
VESSEL LENGTH	9 - 13m 29 - 42ft	13 - 17m 42 - 55ft
POWER SUPPLY (DC)	12/24V	12/24V
MOTOR (Watts)	1000	1200
HYDRAULIC PRESSURE	N/A N/A	10MPa 1450PSI
HYDRAULIC FLOW	N/A N/A	20L/min 5.5gal/min
MAX LOAD	545kg 1200lb	1136kg 2500lb
WORK LOAD	125kg 275lb	284kg 624lb
AMPS WORK LOAD	100/60	120/75
MAX LINE SPEED	14.5m/min 46ft/min	15m/min 48ft/min
CHAIN SIZE	6 - 8 - 10mm 1/4 - 5/16 - 3/8"	8 - 10 - 13mm 5/16 - 3/8 - 1/2"
ROPE SIZE	12 - 14 - 16mm 1/2 - 9/16 - 5/8"	14 - 16 - 19mm 9/16 - 5/8 - 3/4"
NET WEIGHT	DC 25kg HYD 24kg DC 55lb HYD 53lb	DC 36kg HYD 35kg DC 79lb HYD 77lb
MANUAL OPERATION	MORS (std)	MORS (std)

Features

- Rope chain combination gypsy for rope & chain combination or chain only
- Manual Override System (MORS)
- Gypsy lock/pawl
- Cleat on housing
- Heavy duty dual direction motor in 12 & 24V DC, Hydraulic (HR2500 only)
- Durable marine grade white gloss finish alloy housing
- Fully enclosed motor & gearbox
- Independent gypsy and capstan operation
- Luxury chromed marine grade bronze / 316 Stainless steel running gear
- Stainless steel drive shaft
- Cone clutch/brake
- Shaft seal
- Clutch release handle
- Installation/Operation booklet



Options

- Twin gypsy, twin capstan
- Rope Chain Management System (RCMS)
- Housing without cleat
- Traditional polished bronze finish on running gear
- Full range of accessories including chain, rope, anchors, anchor roller, chain pipes, chain stoppers, snubber kits & devil claws
- Electric & hydraulic operating options & accessories
- Auto anchor

Compact 3500/4000/4200



HR3500
Jaguar



HR4000/4200
Thor



Model	HR3500 Jaguar	HR4000 Thor	HR4200 Thor
VESSEL LENGTH	14 - 20m 45 - 65ft	18 - 24m 58 - 77ft	18 - 25m 58 - 80ft
POWER SUPPLY (DC)	12/24V	24V	24V
MOTOR (Watts)	1500	1500	2000
HYDRAULIC PRESSURE	10MPa 1450PSI	12MPa 1750PSI	12MPa 1750PSI
HYDRAULIC FLOW	28L/min 7.5gal/min	28L/min 7.5gal/min	28L/min 7.5gal/min
MAX LOAD	1590kg 3500lb	1818kg 4000lb	2045kg 4500lb
WORK LOAD	400kg 800lb	454kg 1000lb	500kg 1100lb
AMPS WORK LOAD	150/85	150/85	120
MAX LINE SPEED	15m/min 48ft/min	13.5m/min 44ft/min	13.5m/min 44ft/min
CHAIN SIZE	8 - 10 - 13mm 5/16 - 3/8 - 1/2"	10 - 13 - 16mm 3/8 - 1/2 - 5/8"	10 - 13 - 16mm 3/8 - 1/2 - 5/8"
NET WEIGHT	DC 58kg HYD 57kg DC 128lb HYD 125lb	DC64kg HYD63kg DC140lbHYD139lb	DC64kgHYD63kg DC140lbHYD139lb
MANUAL OPERATION	MORS (std)	MORS (std)	MORS (std)

Note: Rope can also be used but is not recommended for larger vessels.

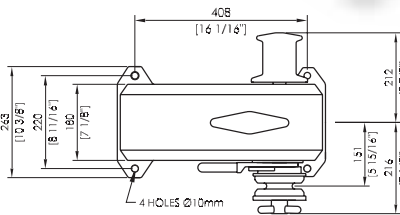
Features

- Rope chain combination gypsy for rope & chain combination or chain only
- Manual Override System (MORS)
- Gypsy lock/pawl
- Cleat on housing
- Heavy duty dual direction motor in 12 & 24V DC, Hydraulic
- Durable marine grade white gloss finish alloy housing
- Fully enclosed motor & gearbox
- Independent gypsy and capstan operation
- Luxury chromed marine grade bronze / 316 Stainless steel running gear
- Stainless steel drive shaft
- Cone clutch/brake
- Shaft seal
- Clutch release handle
- Installation/Operation booklet

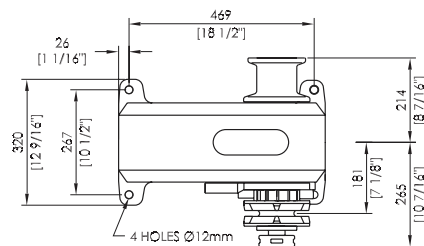
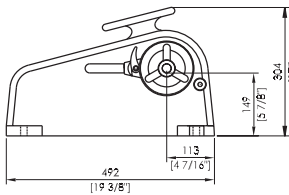


Options

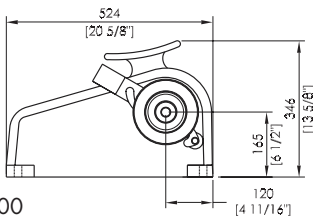
- Twin gypsy, twin capstan
- Rope Chain Management System (RCMS)
- Housing without cleat
- Traditional polished bronze finish on running gear
- Full range of accessories including chain, rope, anchors, anchor roller, chain pipes, chain stoppers, snubber kits & devil claws
- Electric & hydraulic operating options & accessories
- Auto anchor



HR3500
Jaguar



HR4000/4200
Thor





Vertical Powered Capstans

Designed to suit vessels up to 26m (84ft) the Muir range of capstans provide reliable and heavy duty operation for mooring, warping and anchoring for all recreational and commercial applications.

Efficient and quick they can be installed independently or as a complete system with windlasses.

Manufactured to the highest quality standard, featuring heavy chrome and gear drive assembly.

Accommodating varying deck thicknesses, they are popular for line hauling and fishing purposes. Available in 12 & 24 volt, Hydraulic & AC options.

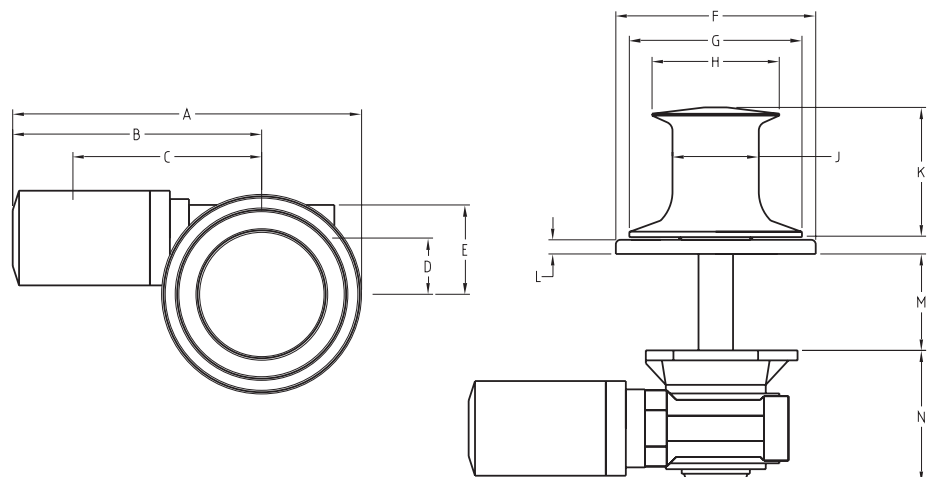
Features

- Deck hugging snag free design
- Unit can be mounted horizontally
- Luxury chrome finish over marine grade bronze or 316 Stainless steel on some models
- Capstan features heavy duty knurled finish for increased grip
- Heavy duty dual direction motor in 12 & 24V, AC & Hydraulic
- Self aligning gearbox/adaptor
- Stainless steel shaft
- Stainless steel mounting bolts
- Shaft seal
- Installation/Operation booklet



Options

- Inline drive options see page 25
- AC option (VC2500/3500/4000)
- Traditional polished bronze finish
- Heavier duty motor for lifting and fishing use
- Extra deck clearance kit for any deck thickness
- Full range of accessories including rope, snubber kits and deck switches
- Electric & hydraulic operating options & accessories





Vertical Powered Capstans

650/850/2500/3500/4000

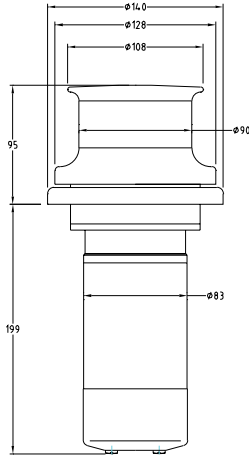
Model	VC650	VC850	VC2500	VC3500
VESSEL LENGTH	8 - 11m 26 - 36ft	9 - 14m 29 - 45ft	14 - 22m 45 - 70ft	16 - 27m 51 - 86ft
POWER SUPPLY (DC)	12/24V	12/24V	12/24V	12/24V
MOTOR (Watts)	600	1000	1200	1500
HYDRAULIC PRESSURE	N/A N/A	N/A N/A	10MPa 1450PSI	11MPa 1600PSI
HYDRAULIC FLOW	N/A N/A	N/A N/A	20L/min 5.5gal/min	28L/min 7.5gal/min
MAX LOAD	295kg 650lb	386kg 850lb	1136kg 2500lb	1490kg 3285lb
WORK LOAD	74kg 162lb	97kg 212lb	284kg 625lb	350kg 772lb
AMPS WORK LOAD	80/50	80/50	120/75	150/85
MAX LINE SPEED	20m/min 64ft/min	24m/min 77ft/min	15m/min 48ft/min	16m/min 53ft/min
CHAIN SIZE	N/A N/A	N/A N/A	N/A N/A	N/A N/A
ROPE SIZE	10 - 12mm 3/8 - 1/2"	10 - 14mm 3/8 - 9/16"	12 - 19mm 1/2 - 3/4"	14 - 25mm 9/16 - 1"
NET WEIGHT	DC 9kg DC 20lb	DC 16kg DC 35lb	DC 25kg HYD 23kg DC 55lb HYD 51lb	DC 27kg HYD 19kg DC 59lb HYD 42lb

VERTICAL POWERED CAPSTAN DIMENSIONS

Model	VC650	VC850	VC2500	VC3500
A	277mm 10.90"	315mm 12.40"	425mm 16.73"	438mm 17.24"
B	220mm 8.66"	245mm 9.65"	328mm 12.91"	328mm 12.91"
C	N/A N/A	N/A N/A	261mm 10.28"	261mm 10.28"
D	45mm 1.77"	49mm 1.93"	62mm 2.44"	62mm 2.44"
E	71mm 2.79"	80mm 3.15"	97mm 3.82"	97mm 3.82"
F	114mm 4.49"	139mm 5.47"	190mm 7.48"	220mm 8.66"
G	114mm 4.40"	133mm 5.24"	190mm 7.48"	190mm 7.48"
H	104mm 4.09"	108mm 4.25"	140mm 5.51"	140mm 5.51"
J	75mm 2.95"	85mm 3.35"	95mm 3.74"	95mm 3.74"
K	95mm 3.74"	118mm 4.65"	142mm 5.59"	142mm 5.59"
L	7mm 0.27"	12mm 0.47"	10mm 0.39"	10mm 0.39"
M	51mm 2.00"	51mm 2.00"	112mm 4.40"	112mm 4.40"
N	100mm 3.93"	144mm 5.67"	146mm 5.75"	146mm 5.75"



Inline Vertical Capstan 800



Model	VC800 Pot Hauler
VESSEL LENGTH	11m 36ft
POWER SUPPLY (DC)	12V
MOTOR (Watts)	600
MAX LOAD	180kg 396lb
WORK LOAD	36kg 80lb
AMPS WORK LOAD	48/12
MAX LINE SPEED	39m/min 128ft/min
CHAIN SIZE	N/A N/A
ROPE SIZE	Up to 22mm Up to 7/8"

VC800 Pot Hauler

Muir introduce the new Inline drive capstans, delivering more power when you need it. These highly efficient and light weight capstans are fitted with a 600w one piece integrated gearbox/motor assembly which provides increased power and speed normally not achieved with conventional gear systems.

The one piece assembly significantly reduces installation time and is ideal for use where below deck space is restricted.

Designed to suit vessels up to 14m (45ft) the Inline capstan can be used for mooring, warping, anchoring, line hauling and fishing from any direction and are well suited to any application in either vertical or horizontal mounting positions.

Accommodating various deck thickness, these models are available in 12V DC.

Features

- VC800 has 316 Stainless Steel Capstans
- Capstan features knurled finish for increased grip
- VC800 has clockwise rotation and has auto action clutch to prevent rollback
- Unit can be mounted horizontally
- Self aligning gearbox/adaptor
- Stainless steel shaft
- Stainless steel mounting bolts
- Shaft seal
- Installation/Operation booklet
- Deck switch included
- 100A circuit breaker included



Options

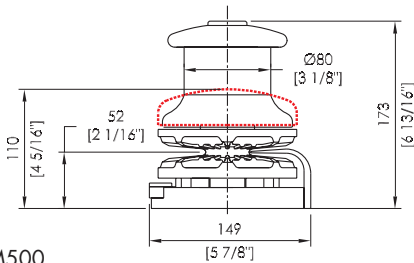
- Full range of accessories including chain, rope, anchors and anchor rollers
- Electrical operating options & accessories



Manual Vertical 500



VM500



VM500

— denotes low profile (VM) version

Model	VM500
VESSEL	6 - 12m 19 - 38ft
POWER SUPPLY (DC)	Manual
MOTOR (Watts)	N/A
MAX LOAD	227kg 500lb
WORK LOAD	N/A
AMPS WORK LOAD	N/A
RECOVERY RATE	36cm/revolution 14.5"/revolution
CHAIN SIZE	6 - 8 - 10mm 1/4 - 5/16 - 3/8"
NET WEIGHT	VM 5.5kg/VMC 6.5kg VM 12.7lb/VMC 14lb

Not everyone needs or wants power, so the Manual Vertical series is designed with those in mind. Suited for vessels up to 12m, the manual vertical series has many applications and the above deck installation is fast and simple. The manual series is available in a round base configuration (VM500). Featuring an independent low profile top or capstan and gypsy the units can also be mounted horizontally in the anchor locker, or used as an auxiliary unit for line hauling or fishing use.

The low profile, light weight, compact design make this unit ideal for the racing enthusiast who cannot afford the weight or space of a powered windlass, or for those doing serious ocean cruising or racing who can't afford to rely on battery power. Available to suit chain and rope combination or chain only, the heavy duty knurled capstan operates independently of the gypsy and provides increased line grip.

Precision engineered for quick and efficient hauling, the ratchet manual operation system is operated with a standard sheet winch handle and manually released with the same handle.

Features

- Chain only
- Gypsy with low profile clutch top arrangement (VM)
- Round base model (VM)
- 316 Stainless Steel
- Independent gypsy and capstan operation
- Capstan models feature heavy duty knurled finish for increased grip
- Cone clutch/brake
- Stainless steel mounting bolts supplied
- Clutch release and manual operation handle
- Installation/Operation booklet



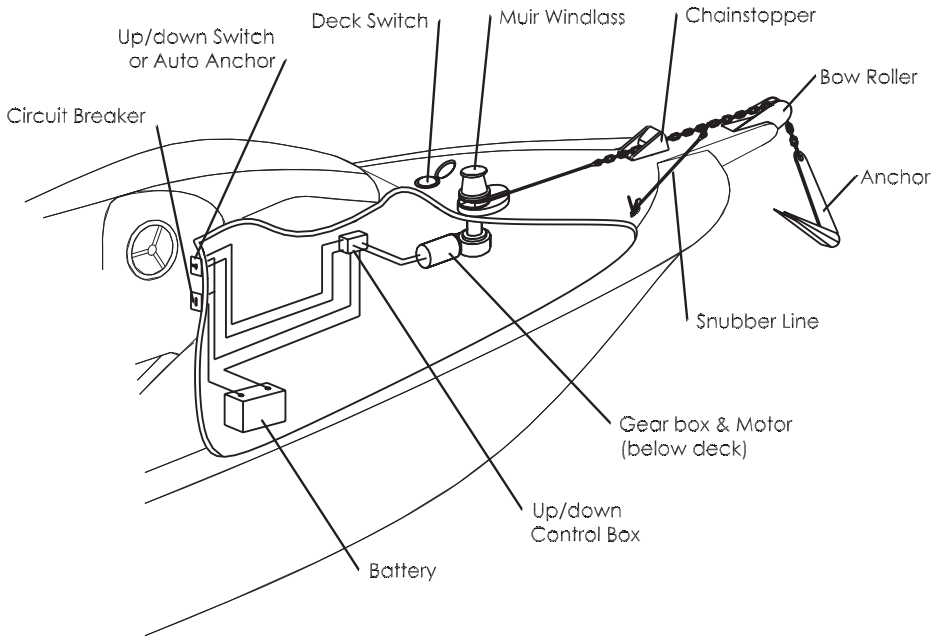
Options

- Chain pipe for VM500 models
- Full range of accessories including chain, rope, anchors, anchor roller, chain stoppers, snubber kits, devil claws



Master Control Accessories

ACCESSORIES POSITIONING GUIDE



The Muir Master Control Accessories offer a complete control system for those wishing to enjoy all the energy-saving and single handed advantages of the latest technology. Master Control Accessories cover an extraordinary range of labour and time-saving devices that allow owners to enjoy their boating to the maximum, including operation of any anchor windlasses and accessories.

Master Control units are available in a range of capacities and power inputs including 12 & 24 volt, DC, AC and Hydraulic, and can be customised to suit individual requirements.

Standard Master Control Windlass Accessories vary between country of purchase and we ask that you refer to your distributor or retailer for details of Accessories included in your country.

Muir Master Control Accessories feature solid-state electronics for electric and hydraulic on-board controls.



CIRCUIT BREAKER / ISOLATOR PANEL

Muir circuit breaker/isolator panels will suit a wide range of windlasses and capstans. Featuring an on-off switch, they ensure protection against a circuit short by reducing the risk of a motor burn out. Manufactured from marine grade materials, available in 60, 80, 100 and 150 AMPS to suit 12 and 24 volt applications, this unit can also be utilised as a battery isolator when the windlass is not in use.



AUTO ANCHOR – WINDLASS CONTROLLER AND RODE COUNTER AA150 / AA560

Automatic and remote control operation for single handed anchoring. The Auto anchor determines the amount of chain deployed and provides one-touch automatic retrieval (or rode counter only - AA150).

Featuring a modern console with protective cover: enhanced sensors and large backlit LCD display. Safety lock prevents accidental windlass operation.



REMOTE UP/DOWN CONTROL

Muir up/down switches provide simple remote operation of all windlasses from the helm, fly bridge or cockpit. Compact and modern in design and manufactured from marine grade materials, they are available in 12 and 24V DC.



System Accessories



PORTABLE HAND PENDANT CONTROL UNIT AA710 / AA342 IP67 WEATHER RATING

These highly sophisticated weatherproofed solid-state modules give you complete control of your winch/windlass operations from anywhere on your boat enabling the operator to visually check the anchor under retrieval. They simply plug into the socket fitted on the foredeck, at the helm or cockpit. Available for all windlass and capstan models.

Radio control units are available providing total freedom for operation.



FOOTSWITCHES

Heavy duty up down switches fitted with poly carbon flip top covers and hard-wearing U.V stabilised neoprene boot and each unit is supplied with instructions and fitting screws. Suitable for 12 and 24 volt applications, nickel plated copper contacts provide corrosion free operation. Various colours, finishes.



MANUAL HANDLES

Muir windlasses use standard winch handles for clutch release and manual operation. High strength floating plastic handles are light weight. Stainless steel handles provide long lasting endurance. Available in various sizes.



CHAIN STOPPER WITH LOCKING ARM AND DEVIL CLAW

Following the same principal of the conventional chain stoppers and separate devil claw, this unique arrangement offers additional safety. The devil claw hooks onto the chain and provides tension on the chain while the anchor is stowed ensuring additional hold while under way. The devil claw can be easily removed or simply secured off to the side.

The combined set provides increased safety. Available to suit chain from 8-38mm (5/16" - 1 1/2").



DUAL DIRECTION SOLENOID

Heavy duty solenoids provide reversing at the flick of a switch for all Muir model windlasses and capstans in 12V or 24V DC. Comprises solenoid for up/down switch and can be used in conjunction with deck switches, remote up/down panels and auto anchor. A second station requires only up-down switch without solenoids. Double acting solenoids are also available for all 4 wire motors.



WIRING LOOM

For ease of installation.

2 sizes available for 600W and 1000W for runs up to 8 metres.



Anchors



Muir Claw Anchor – Stainless steel

Muir anchors provide further anchoring security and safety. The recommended sizes for vessels should be used only as a guide. Muir will be pleased to assist with correct selection of anchor and chain to suit your vessel and windlass. Vessels with unusual windage or which may anchor in more exposed locations should carry heavier anchors and ground tackle. Larger anchors and other types are available to suit mega yacht windlasses and commercial applications.

MUIR CLAW ANCHOR

Sets quickly and digs in on short scope over a variety of seabed conditions. Self orientating and with absolute roll capability, the claw has high holding power and rock hooking, with low breakout force. It stores easily and conveniently in a bow roller system (see page 34).

Available in galvanised cast steel or polished stainless steel finish



Muir Claw Anchor – Galvanised

Weight kg	Weight lb	Finish	Rec Chain Size	Vessel Length Guide
1	2.2	Galv/S/Steel	5mm	
2	4.4	Galv/S/Steel	5mm	3 - 5m (9 - 15ft)
5	11	Galv/S/Steel	5mm	5 - 7m (16 - 23ft)
7.5	16.5	Galv/S/Steel	6mm	7 - 9m (24 - 28ft)
10	22	Galv/S/Steel	8mm	9 - 10m (29 - 32ft)
15	33	Galv/S/Steel	10mm	10 - 12m (33 - 39ft)
20	44	Galv/S/Steel	10mm	12 - 14m (40 - 46ft)
30	66	Galv/S/Steel	12mm	14 - 18m (47 - 57ft)
50	110	Galv/S/Steel	16mm	18 - 23m (58 - 72ft)
80	176	Galvanised	20mm	23 - 28m (73 - 90ft)
110	242	Galvanised	22mm	28 - 33m (91 - 106ft)

MUIR PLOUGH ANCHOR

Ideal for sand and mud bottoms, provides safe and secure anchoring for heavier craft. A hinged shank provides operators with consistent setting & holding in even the worst conditions. Ideal for a primary or storm anchor. Available in galvanised cast steel or polished stainless steel finish.



Muir Plough Anchor – Galvanised

Weight kg	Weight lb	Finish	Rec Chain Size	Vessel Length Guide
7	15	Galv/S/Steel	6mm	8m (26ft)
9	20	Galv/S/Steel	8mm	8 - 10m (26 - 32ft)
12	26	Galv/S/Steel	8mm	10m (32ft)
15	33	Galv/S/Steel	8mm	10 - 14m (32 - 45ft)
22	48	Galv/S/Steel	10mm	12 - 18m (38 - 58ft)
27	59.5	Galv/S/Steel	10mm	16 - 20m (51 - 64ft)
34	75	Galv/S/Steel	12mm	18-22m (59 - 70ft)

Note: With all anchor types, other models and sizes available upon request.



Anchor Chain



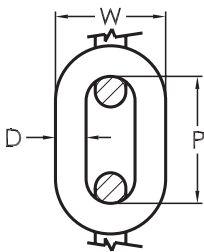
GALVANISED SHORT LINK CHAIN

Manufactured from mild steel, this calibrated chain is welded for high strength and hot dipped galvanized for minimal corrosion. Available in a selection of sizes and formations, it will fit all Muir chain gypsies as well as other windlass brands.

Grade L Tested Short Link Chain

The most widely used certified anchor chain. Grade L is the highest quality lower tensile steel chain for lifting purposes.

Chain Size mm	WWL (tonne)	D (mm)	P (mm)	W (mm)	Links/m	Metres/100kg
6	0.4	6.3	18.8	21.6	53.2	110
8	0.64	8	23.8	27	42	69.9
10	1	10	29.8	34.3	33.6	43.9
13	1.7	12.5	38	42.5	26.3	28.9
16	2.58	16	47.8	54.9	20.9	17.5



High Tensile Tested Grade P Short Link Chain

High Tensile Grade P chain is manufactured in Australia from high tensile steel which has been hardened and tempered and provides twice the working load limit of Grade L. This chain can be substituted where larger chain would usually be required.

Chain Size mm	WWL (tonne)	D (mm)	P (mm)	W (mm)	Links/m	Metres/100kg
10	2	10	29.8	34.3	33.6	43.9
13	3.38	12.5	38	42.5	26.3	28.9
16	5.12	16	47.8	54.9	20.9	17.5

ABBREVIATIONS

- D** Dia **W** width
- P** Pitch **MWL** Max wkg load/tonne

WWL Max mass which the chain hanging vertical shall support in general service

Note: Link dimensions and metres/100kg subject to commercial tolerances.

Larger sizes and types available eg studlink, refer to Mega Catalogue or contact nearest Muir office.

ANCHOR AND SWIVEL SHACKLES

Grade S hot dipped galvanized and stainless steel shackles for all marine and commercial applications, ideally suited to Muir anchor chain. Available in bow and dee type with screw collar pins. Available for all chain and anchor types and sizes. Swivel shackles are available in galvanized and stainless steel to suit all chain sizes.

Note: Chain supply may vary in countries outside Asia/Pacific Region.



Dock and Anchor Line



DOCK AND ANCHOR LINE

Muir dock and anchor line is made from the highest grade marine nylon to ensure every line is easy to handle, flexible, extremely strong and abrasion resistant.

This premium white 3-strand nylon line is coated with a unique water repellent marine coating for abrasion and hardening resistance, plus greater wet strength.

Popular for vessels of all sizes, this docking and anchor line is available in a variety of diameters from 5mm (3/16") to 28mm (1/1/8"). Other line types and sizes available upon request.

ANCHOR RODES OR ROPE CHAIN KIT

Muir Anchor Rodes are designed for optimal operation on all Muir rope - chain combination gypsies and provide a strong but light weight option to all chain operation. Muir utilise 3 strand nylon anchor rope (as detailed above) and Grade L shortlink chain. Special anchor rode are available on request, including stainless steel chain combinations. Windlass must be fitted with RCMS unit.

Chain Size	Chain length metres (ft)	Rope Size mm (ft)	Rope length mm (ft)
6mm (1/4")	6m (19.2ft)	12mm (1/2")	45m (144ft)
6mm (1/4")	10m (32ft)	12mm (1/2")	45m (144ft)
8mm (5/16")	10m (32ft)	14mm (9/16")	45m (144ft)
10mm (3/8")	10m (32ft)	16mm (5/8")	45m (144ft)
13mm (1/2")	13m (42ft)	19mm (3/4")	50m (160ft)

ROPE CHAIN MANAGEMENT SYSTEM (RCMS)

Facilitates smooth combined rope-chain operation for Atlantic and Compact windlasses.

The Compact Series RCMS is a separate unit that replaces a standard chain pipe with a special chain pipe featuring a spring loaded finger and integral 180 degree stripper/peeler. The spring loaded finger arrangement directs and guides the rope into the inner jaw of the gypsy whilst allowing the chain to follow and pass through automatically. A stripper/peeler assembly fits around the gypsy hub to prevent the rope from jamming and facilitates a smooth vertical drop into the chain locker.



Compact RCMS

SNUBBER LINE KITS

This simple device ensures minimal strain is placed on the windlass while at anchor. Often utilised while removing the chain from windlass or securing a stowed anchor. The stainless steel snubber line hook is fastened to the anchor rode, and the line is tied off to a cleat or bollard. Muir recommend use of a snubber line and a chain stopper with all windlasses, for bigger yachts consider a devil claw and chain stopper assembly.



Snubber Lines

Hook to suit chain size	Line size	Length of line
6mm (1/4")	12mm (1/2")	2m (6.4ft)
8mm (5/16")	14mm (9/16")	3m (9.6ft)
10mm (3/8")	16mm (5/8")	3m (9.6ft)
13mm (1/2")	19mm (3/4")	3m (9.6ft)
16mm (5/8")	22mm (7/8")	4m (12.8ft)

More from Muir...



If it's mega...it's Muir

Established in 1968, Muir has become a dominant force in anchoring and mooring technology, recognised today as the anchoring system choice for a large variety and size of luxury motor and sail yachts.

Muir design and manufacture one of the largest ranges of anchoring and mooring systems for vessels up to 150 metres.

Muir have designed and produced anchoring and mooring equipment having set Industry Standards and benchmarks over many years. Continued investment in research and development, design and innovation, keeps Muir at the forefront of the yachting industry. The development of high power to weight ratio equipment with the combination of highly efficient planetary drive gears, medium to high pressure hydraulics, one, two or variable speed AC electric drives will achieve the ideal anchoring system to suit your vessel.

Muir surpass or meet the world's most stringent classification requirements including ABS, LRS, DNV, BV, NKK, GL, CCS, RINA, RRR, RMSR and comply with MCA and USL codes.

Muir running gear is available in polished 316L stainless steel, manganese bronze, chromed bronze and aluminium bronze.

316L polished stainless steel anchor windlasses and mooring capstans of all sizes are being manufactured in larger volumes today resulting in increased affordability.

A Muir anchoring system provides long term reliability, durability and dependability.



If it's commercial...it's Muir

Muir offers a comprehensive range of commercial Equipment for Patrol boats, Work boats, Fishing vessels and High Speed Ferries.

With an extensive history in marine engineering, Muir's Commercial equipment incorporates the vast knowledge and experience acquired over the past 30 years. Muir's range of commercial equipment is designed and manufactured to meet the most testing conditions. Function and reliability are foremost with the manufacture of Muir's Commercial range.

Muir's reputation for quality products extends across a full range of Commercial vessels Worldwide.

Equipment constructed in steel or light weight alloy for the high speed ferry operations reduce build weights by up to 35%. Muir can supply gear for vessels up to 100 metres in length.

A comprehensive range of production electric/hydraulic winches, windlasses and commercial equipment is available. Muir cater for custom designed equipment to suit your requirements.

Muir is accredited by DNV, to ISO 9001 Quality Assurance System. Equipment is tested to all classification societies.



www.muir.com.au



Muir products are sold, serviced and supported worldwide.

Head Office:
MUIR Windlasses Australia
100 Browns Road, Kingston
Tasmania 7050, Australia

International Tel: +61 (0)3 6229 0600
International Fax: +61 (0)3 6229 7030
Email: sales@muir.com.au
Web: www.muir.com.au



AUSTRALIA • NEW ZEALAND • EUROPE • UK • USA • AMERICAS • ASIA • MIDDLE EAST • PACIFIC • SCANDINAVIA • AFRICA

The Muir Quality Management System is certified as being in conformity with ISO9001.



DNV Certification Pty Ltd
Quality Assured ISO9001

Muir reserves the right to alter specifications without notice. All rights reserved. While all due care and attention has been taken in the preparation of this catalogue no responsibility shall be taken for errors or omissions.

THIS CATALOGUE SHOULD NOT BE USED FOR INSTALLATION PURPOSES
Any reference to MUIR or MUIR'S in this catalogue implies MUIR ENGINEERING PTY. LTD.

©2014 Muir Engineering Pty. Ltd.



MUIR  SINCE 1968

www.muir.com.au