



Picture showing top of control only

MODEL 6508 ILLUMINATED ELECTRONIC CONTROL HEAD

The 6508 is an illuminated version of the many Kobelt control heads. It is made entirely in bronze and stainless steel but is not considered to be a water tight unit.

The 6508 control head can be equipped with two potentiometers per handle. This will give redundancy in the electronic control system. The microprocessor will read the two potentiometers at all times and if it considers one of them defective, it will read the one that is intact only. The

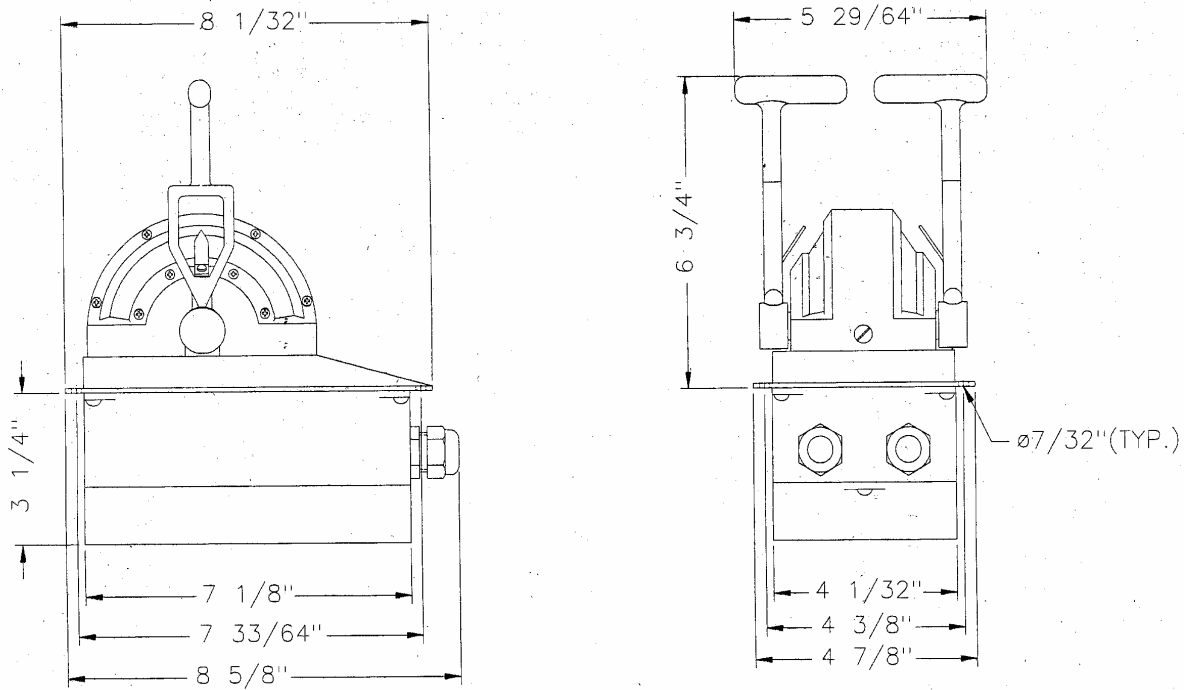
membrane key pad has four standard switches and provides:

- Station Select
- Station Lock
- Overriding Throttle
- Engine Synchronization

Trolling valve options are also available in place of either one of the above four switches. The membrane has back lit lenses that indicate which function is working.

Options: Black Epoxy or Chrome Plated body.
 Handles are always chrome plated.

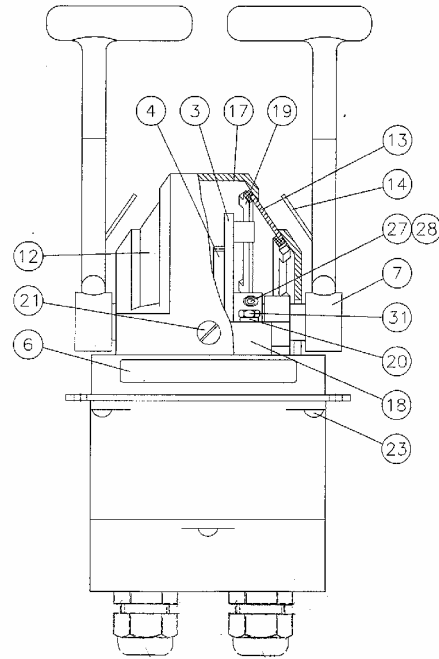
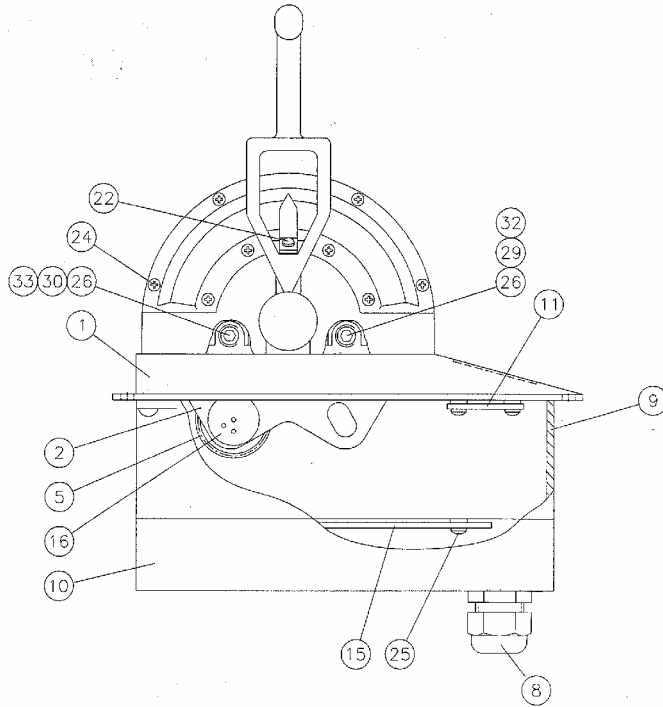
MODEL 6508 DIMENSIONS



All dimensions in inches (mm)

Weight : 9.9 lb. (4.5 kg)

DIMENSIONS AND PARTS LIST MODEL 6508



Item	Qty	Part Number	Description	Item	Qty	Part Number	Description
1	1	6508-0001	Housing	17	1	6654-0001	Dome
2	2	6508-0002	Bracket	18	1	6654-0002	Frame
3	2	6508-0003	Cam	19	2	6654-0016	Scale Retainer
4	2	6508-0004	Spur Gear	20	4	6654-0027	Spacer
5	2	6508-0005	Pinion	21	2	1005-0808	Oval Hd Slotted Screw
6	1	6012-0001	Switch Pad	22	2	1006-0603	Pan Hd Slotted Screw
7	2	6508-0007	Handle	23	10	1010-0804	Round Hd Philips Screw
8	2	6001-0249	Connection Gland	24	16	1011-0406	Oval Hd Philips Screw
9	1	6509-0002	Spacer	25	12	1012-0606	Pan Hd Philips Screw
10	1	6509-0003	Cover	26	4	1016-1104	Hex Socket Set Screw
11	1	6509-0009	Circuit Board	27	4	1016-1004	Hex Socket Set Screw
12	1	6522-0006	Scale	28	2*	1016-0804	Hex Socket Set Screw
13	1	6522-0007	Scale	29	2	1201-0002	Spring
14	2	2553-0018	Pointer	30	2	1201-0003	Spring
15	1	6541-0001	Circuit Board	31	4	1001-0810	Hex Hd Cap Screw
16	2	POT-5	Potentiometer 5K	32	2	2542-0008	Friction Pad
				33	2	2009-0011	Detent Plug

* items not shown