



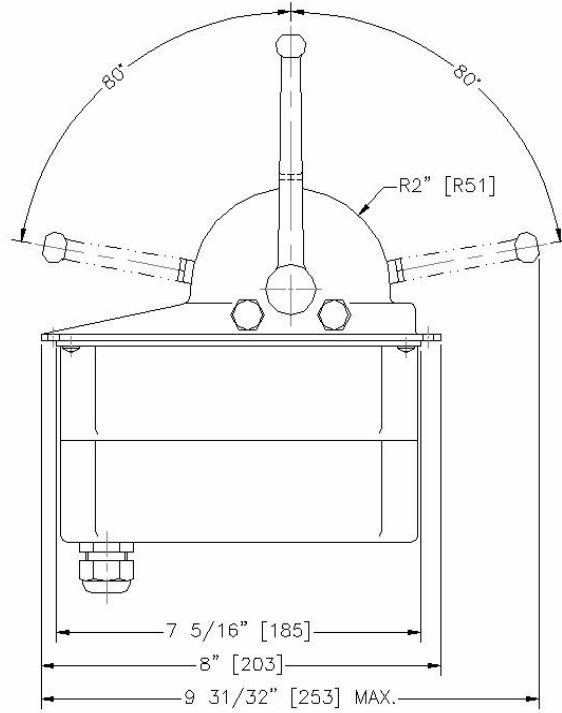
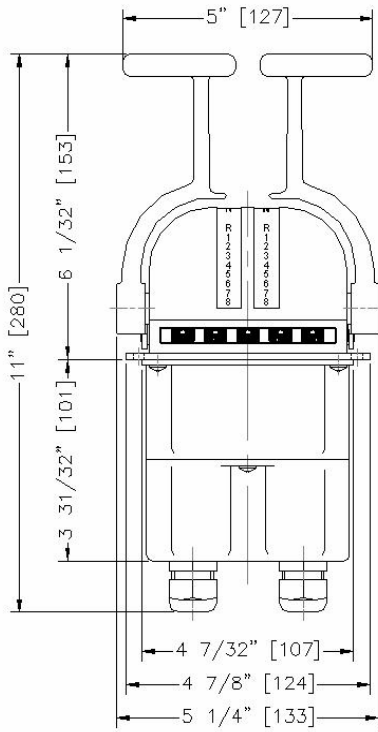
MODEL 6504 CONTROL HEAD

The model 6504 control head provides precision and reliability. This is intended for the sleek pleasure craft market. The control head integrates with all other Kobelt 6525 system Control products. It is also possible for this control head to incorporate steering, thruster control and many other shipboard functions to provide an overall package for the boat owner.

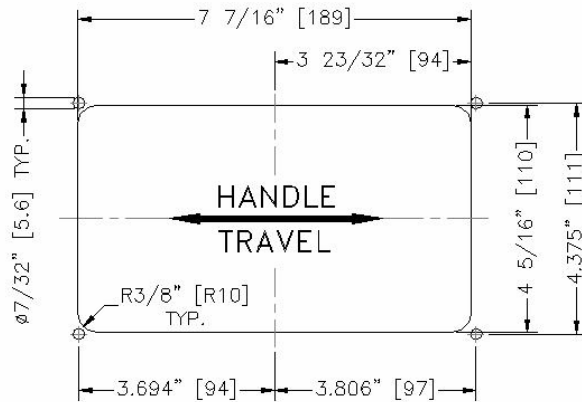
It is constructed entirely in bronze and stainless steel which will give many years of trouble-free service.

The control head comes with a membrane switch panel that can provide Station Select, Station Lock, Throttle Override, Synchronizer Mode as well as Trolling Mode to serve various controlling functions. Our standard 6525 microprocessor will accept the signals from this control head to provide time delay interlocks as well as 4 – 20 mA, PWM output or other control signals for electronic engines.

MODEL 6504

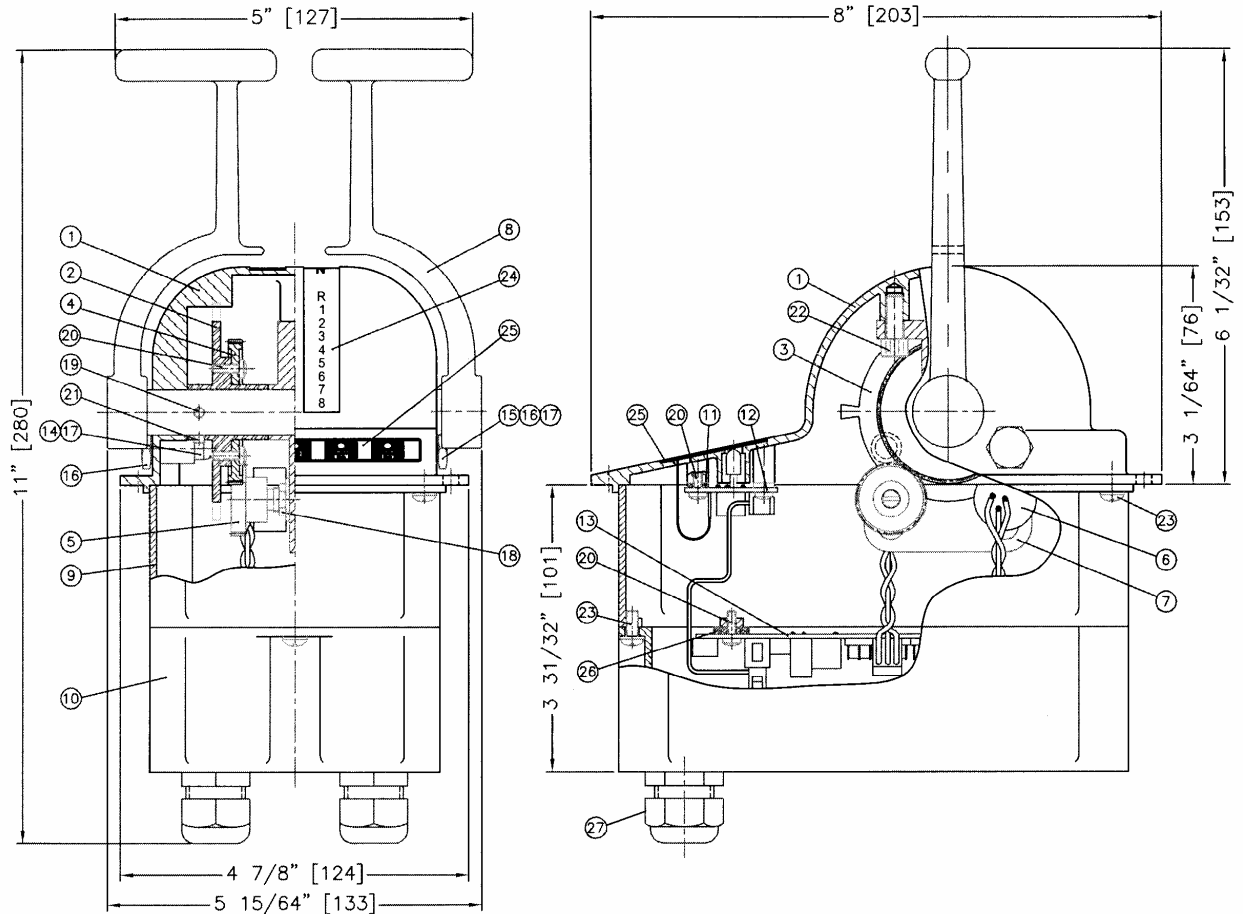


All dimensions in inches (mm)



"CUT-OUT" DIMENSIONS

DIMENSIONS AND PARTS LIST MODEL 6504



Item	Qty	Part No.	Description	Item	Qty	Part No.	Description
1	1	6504-0001	Dome	15	4	6509-0007	Friction / detent nut
2	1	6509-0004R	Cam (right)	16	2*	6509-0013	Friction plug
3	1	6509-0004L	Cam (left)	17	4*	1201-0062	Spring
4	2	6522-0014	Gear Drive 64T	18	2	7169-0015	Washer
5	2	YPB-3232	Gear driven	19	2	1025-0816	Spring pin
6	2	Pot-5	Potentiometer 5K	20	12	1012-0606	Pan hd Philips screw
7	1	6509-0006	Pot bracket	21	2	1016-0804	Set screw
8	2	6504-0002	Handle	22	2	1002-1010	Hex socket capscrew
9	1	6509-0002	Spacer	23	6	1010-0804	Round hd Philips screw
10	1	6509-0003	Cover	24	2	6504-0003	Label
11	4	6009-7590	Switch bushing	25	1	6509-1005	Switch pad
12	1	6509-2009	Circuit board	26	4	6009-7212	Washer
13	1	6541-0001C	Head board	27	2	6001-0249	Cable gland

* item not shown on diagram

Data displayed are for information only and subject to change without notice